



US00D714998S

(12) **United States Design Patent**
Luu

(10) **Patent No.:** **US D714,998 S**
(45) **Date of Patent:** **** Oct. 7, 2014**

(54) **COMBINED HAIR MANAGEMENT AND CUTTING DEVICE**

(71) Applicant: **Linda Luu**, Los Angeles, CA (US)

(72) Inventor: **Linda Luu**, Los Angeles, CA (US)

(**) Term: **14 Years**

(21) Appl. No.: **29/488,935**

(22) Filed: **Apr. 24, 2014**

(51) **LOC (10) Cl.** **28-03**

(52) **U.S. Cl.**
USPC **D28/44; D28/55**

(58) **Field of Classification Search**

CPC A61B 17/29; A45D 26/0066; A45D 26/0071; A45D 26/0076; B25B 9/02

USPC D28/55, 44; D24/143; 30/29.5; 606/210-211; 294/99.2

See application file for complete search history.

(56) **References Cited**

U.S. PATENT DOCUMENTS

1,610,925	A	12/1926	Bryan	
2,376,448	A *	5/1945	Neugass	606/211
2,406,393	A *	8/1946	Neugass	606/133
2,653,048	A *	9/1953	Novak	294/99.2
3,659,343	A	5/1972	Straus	
4,020,846	A	5/1977	Stokes	
4,452,106	A	6/1984	Tartaglia	
4,541,428	A	9/1985	Scherrer	
4,693,246	A *	9/1987	Reimels	606/148

(Continued)

Primary Examiner — Jennifer Rivard

(74) *Attorney, Agent, or Firm* — Roeder & Broder LLP;
James P. Broder

(57) **CLAIM**

The ornamental design of a combined hair management and cutting device, as shown and described.

DESCRIPTION

FIG. 1 is a perspective view of a combined hair management and cutting device having features of the present invention, with a portion of the device illustrated in phantom;

FIG. 1a is a close-up view of the portion of the combined hair management and cutting device shown in the dashed circle in FIG. 1;

FIG. 2 is a side view of the combined hair management and cutting device illustrated in FIG. 1, with a portion of the device illustrated in phantom;

FIG. 2a is a close-up view of the portion of the combined hair management and cutting device shown in the dashed oval in FIG. 2;

FIG. 3 is a top view of the combined hair management and cutting device illustrated in FIG. 1, shown in an open position, with a portion of the device illustrated in phantom;

FIG. 3a is a close-up view of the portion of the combined hair management and cutting device shown in the dashed oval in FIG. 3;

FIG. 4 is an end view of the combined hair management and cutting device illustrated in FIG. 1, taken from the right side of the device illustrated in FIG. 2, with a portion of the device illustrated in phantom;

FIG. 5 is an end view of the combined hair management and cutting device illustrated in FIG. 1, taken from the left side of the device illustrated in FIG. 2, with a portion of the device illustrated in phantom;

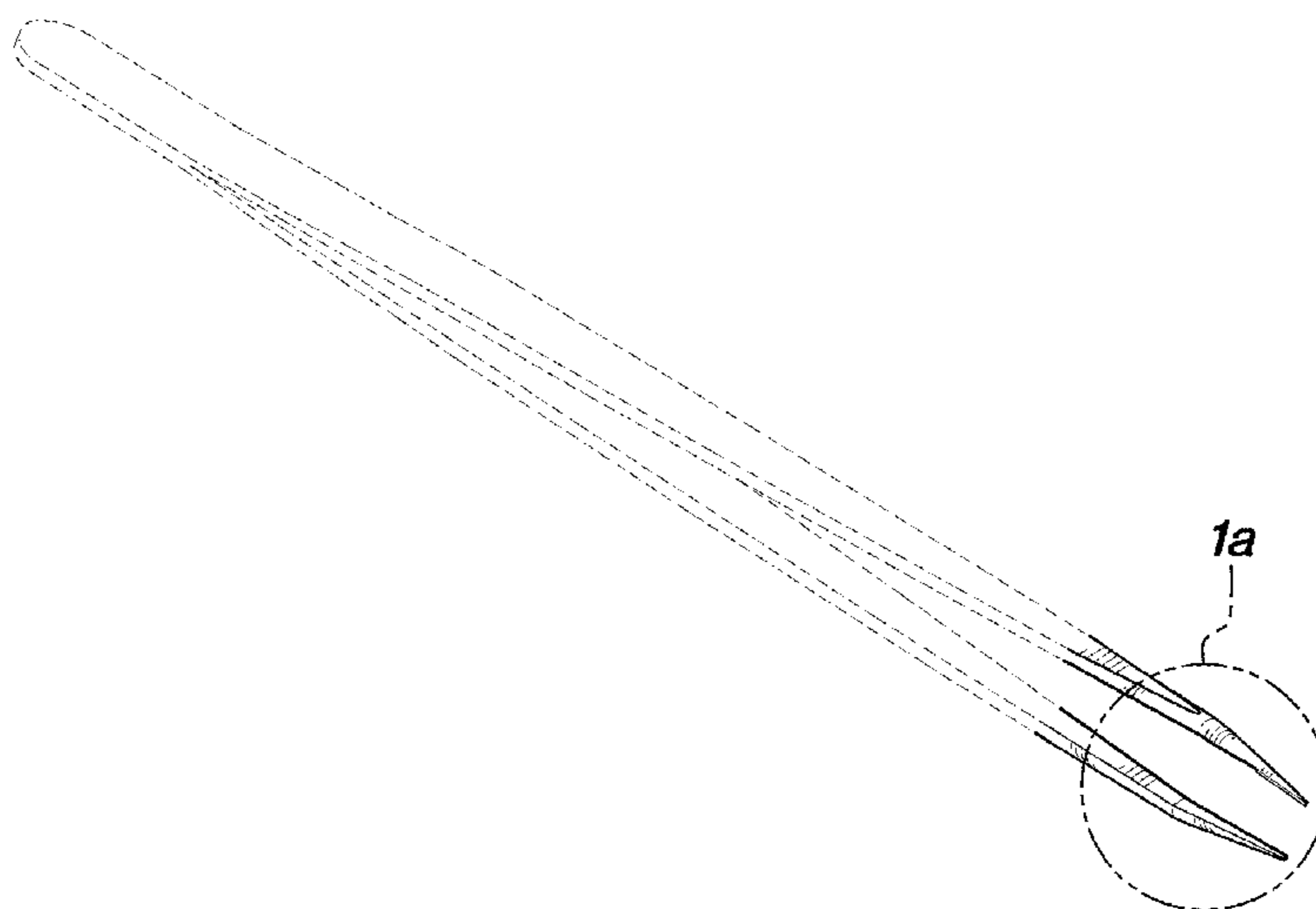
FIG. 6 is a cross-sectional view of a portion of the combined hair management and cutting device showing the cutting blade, taken along line 6-6 in FIG. 2a;

FIG. 7 is a top view of the combined hair management and cutting device illustrated in FIG. 1, shown in a partially closed position, with a portion of the device illustrated in phantom; and,

FIG. 8 is a top view of the combined hair management and cutting device illustrated in FIG. 1, shown in a substantially closed position, with a portion of the device illustrated in phantom.

The phantom lines illustrate the environment of the article and form no part of the claimed design.

1 Claim, 3 Drawing Sheets



(56)

References Cited

U.S. PATENT DOCUMENTS

5,015,252 A 5/1991 Jones
5,060,329 A 10/1991 Hudson

5,740,611 A * 4/1998 Schloss 30/29.5
D627,104 S * 11/2010 Cho D28/55
8,734,445 B2 * 5/2014 Johnson et al. 606/51
2007/0251100 A1 11/2007 Fisk

* cited by examiner

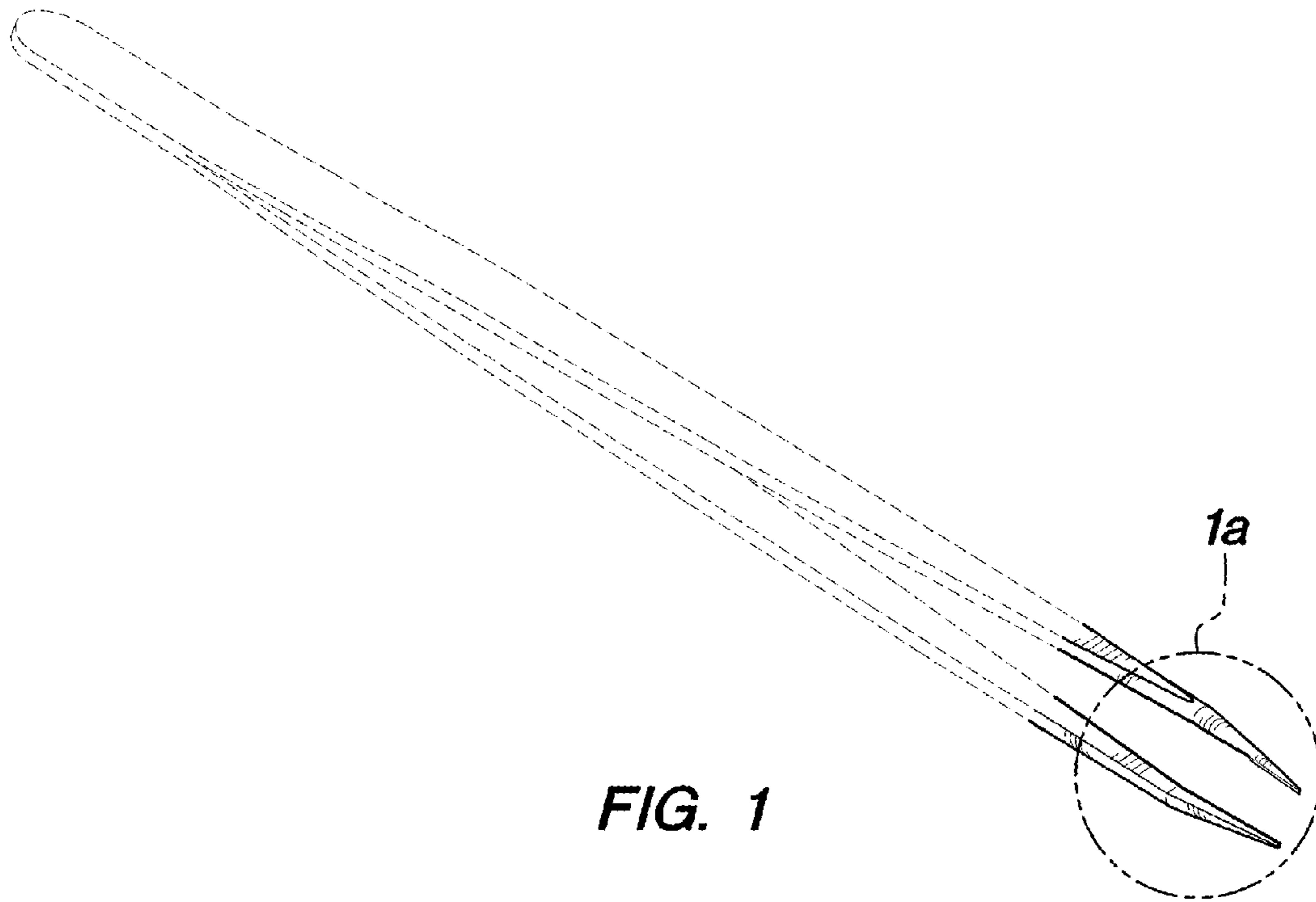


FIG. 1

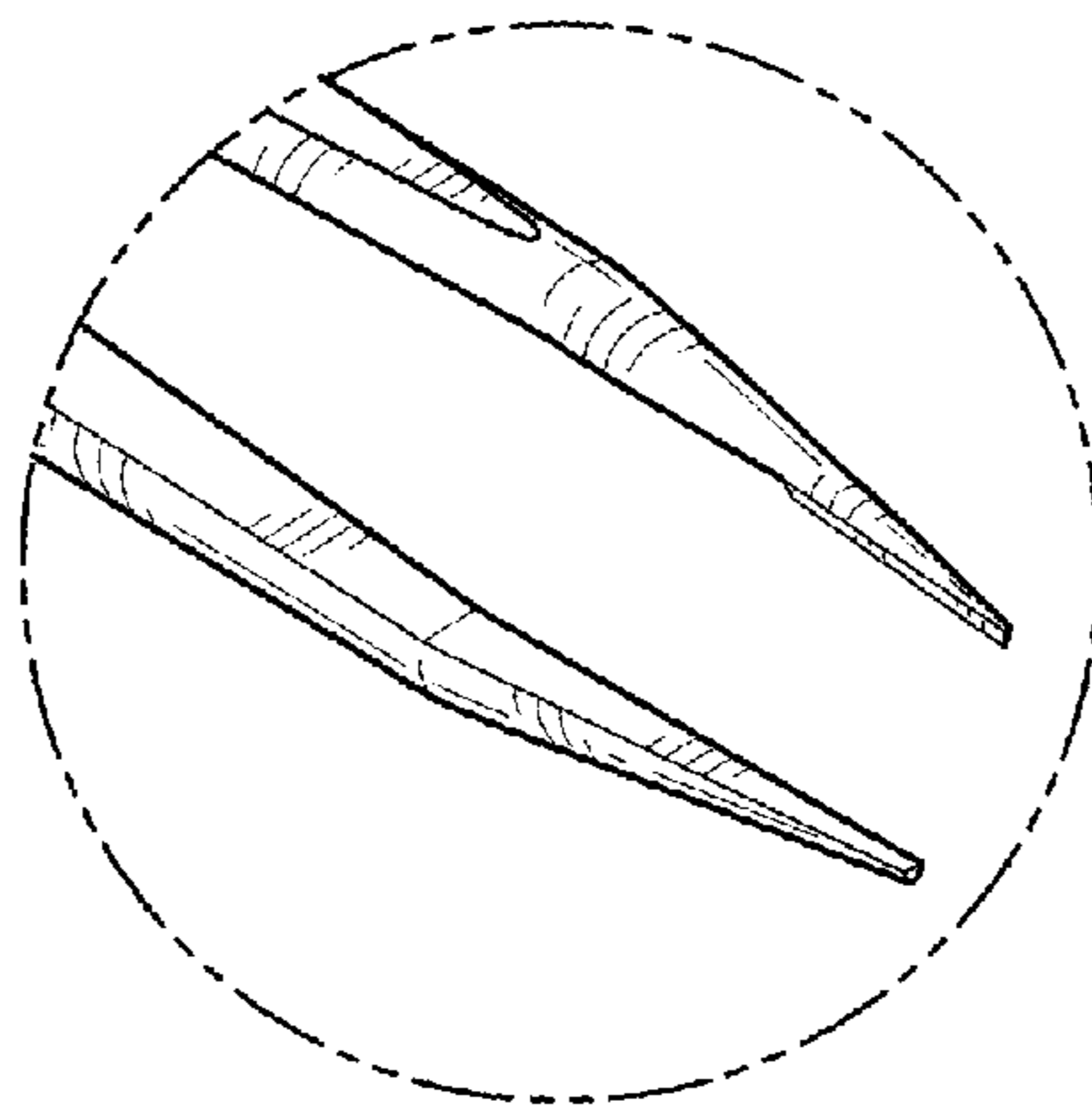


FIG. 1a

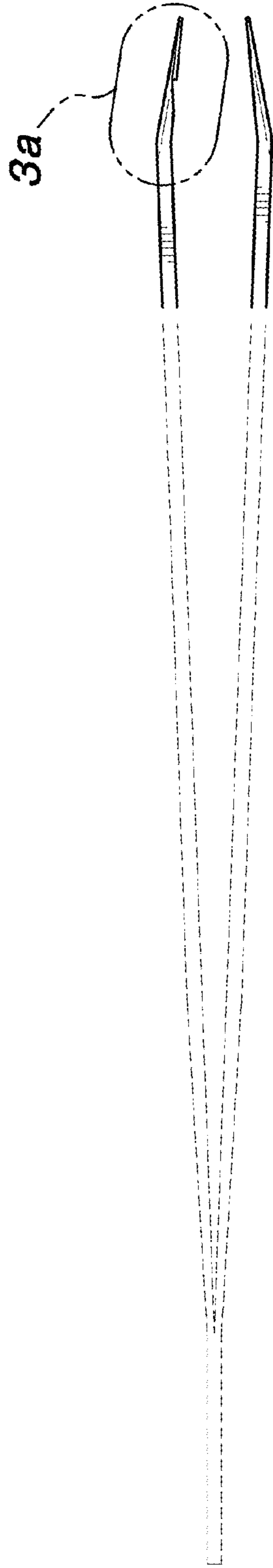
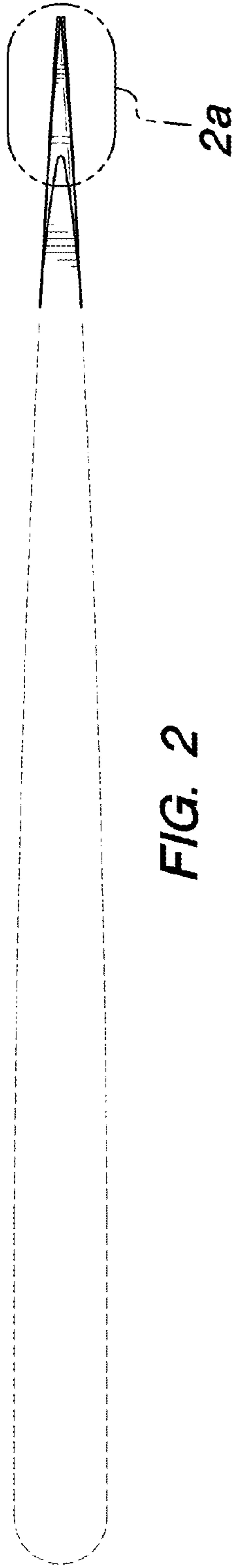




FIG. 4

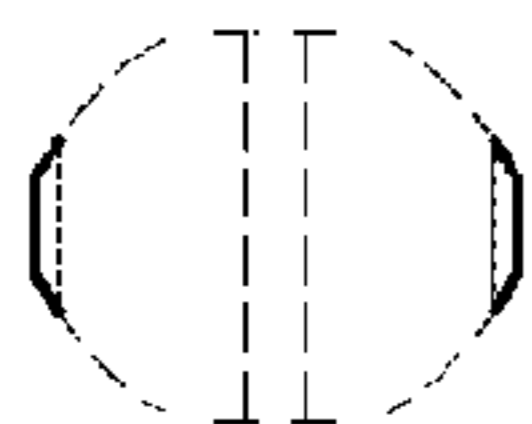


FIG. 5



FIG. 6

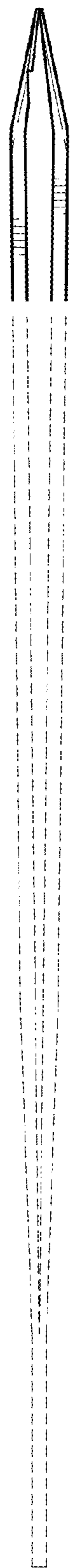


FIG. 7

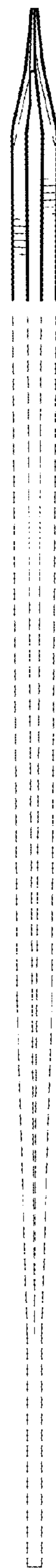


FIG. 8