

US00D714996S

(12) **United States Design Patent**  
**Trotter et al.**

(10) **Patent No.:** **US D714,996 S**  
(45) **Date of Patent:** **\*\* Oct. 7, 2014**

(54) **CABLE SUSPENSION SYSTEM**

6,193,384 B1 \* 2/2001 Stein ..... 362/96  
D465,872 S \* 11/2002 Cacaci ..... D26/72  
7,090,367 B2 \* 8/2006 Eversley ..... 362/84

(71) Applicant: **3M Innovative Properties Company**,  
St. Paul, MN (US)

(Continued)

(72) Inventors: **Byron E. Trotter**, St. Paul, MN (US);  
**Gary H. Paulsen**, St. Paul, MN (US)

FOREIGN PATENT DOCUMENTS

(73) Assignee: **3M Innovative Properties Company**,  
St. Paul, MN (US)

DE 4013757 A1 10/1991  
JP 4-112406 4/1992  
WO WO 2009/109287 A1 9/2009

OTHER PUBLICATIONS

(\*\*) Term: **14 Years**

Griplock Systems, LLC , 4 Cable Sputnik Gripper 15-SPT4,  
webpage literature obtained from internet on Apr. 23, 2013, <http://www.griplocksystems.com/detail.cfm?id=737>.

(21) Appl. No.: **29/452,275**

(Continued)

(22) Filed: **Apr. 15, 2013**

(51) **LOC (10) Cl.** ..... **26-99**

(52) **U.S. Cl.**

USPC ..... **D26/140**

(58) **Field of Classification Search**

CPC .... F21S 8/06-8/068; F21S 8/00; F21S 8/031;  
F21S 8/04; F21V 21/00; F21V 21/008;  
F21V 21/03; F21V 21/16; F21V 21/26  
USPC ..... D26/35, 36, 39, 51, 62, 67, 71, 72, 74,  
D26/80, 81, 83, 85, 86, 88, 89, 91, 113, 118,  
D26/119, 128, 138, 139, 140, 142, 152, 154,  
D26/155; 362/92, 96, 147, 148, 153, 153.1,  
362/183, 186, 300, 301, 307, 310, 347, 348,  
362/349, 350, 362, 364, 365, 366, 382, 431,  
362/432

See application file for complete search history.

*Primary Examiner* — Deanna L Pratt

*Assistant Examiner* — Natasha Vujcic

(74) *Attorney, Agent, or Firm* — Philip Y. Dahl; Kristofor L. Storvick

(57) **CLAIM**

The ornamental design for a cable suspension system, as shown and described.

**DESCRIPTION**

FIG. 1 is an enlarged bottom perspective view of the new design for a cable suspension system shown in FIG. 7; FIG. 2 is an enlarged front elevation view thereof; FIG. 3 is an enlarged back elevation view thereof; FIG. 4 is an enlarged right elevation view thereof; FIG. 5 is an enlarged top plan view thereof; FIG. 6 is an enlarged bottom plan view thereof; and, FIG. 7 is a top perspective view of the cable suspension system.

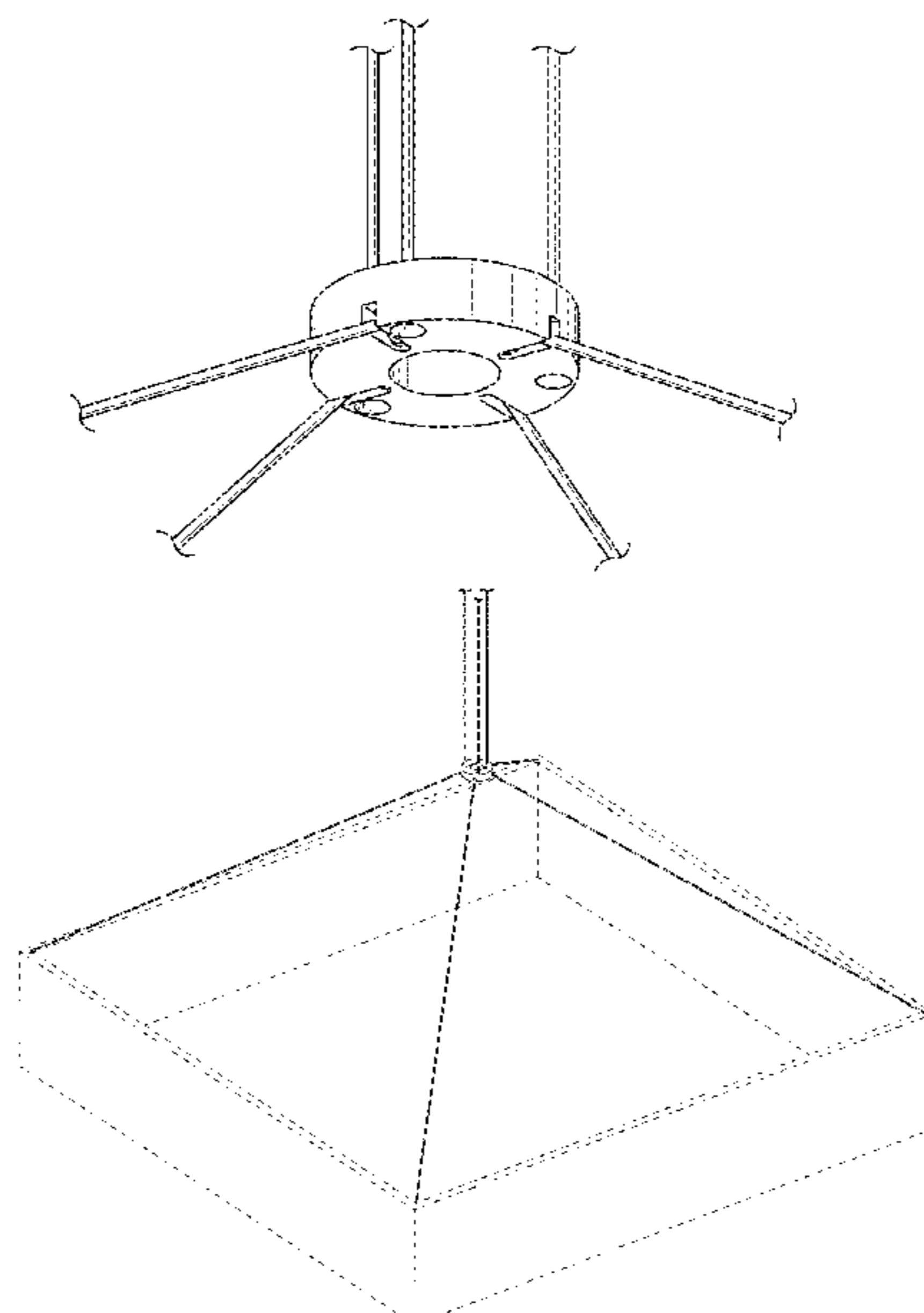
The broken lines included herein are for purposes of showing the environment in which the claimed design is used and form no part of the claimed design.

(56) **References Cited**

U.S. PATENT DOCUMENTS

4,064,427 A \* 12/1977 Hansen et al. .... 362/96  
5,028,206 A \* 7/1991 Kendregan et al. .... 362/96  
D346,459 S \* 4/1994 King ..... D26/72  
5,317,493 A 5/1994 Muller

**1 Claim, 4 Drawing Sheets**



(56)

**References Cited**

U.S. PATENT DOCUMENTS

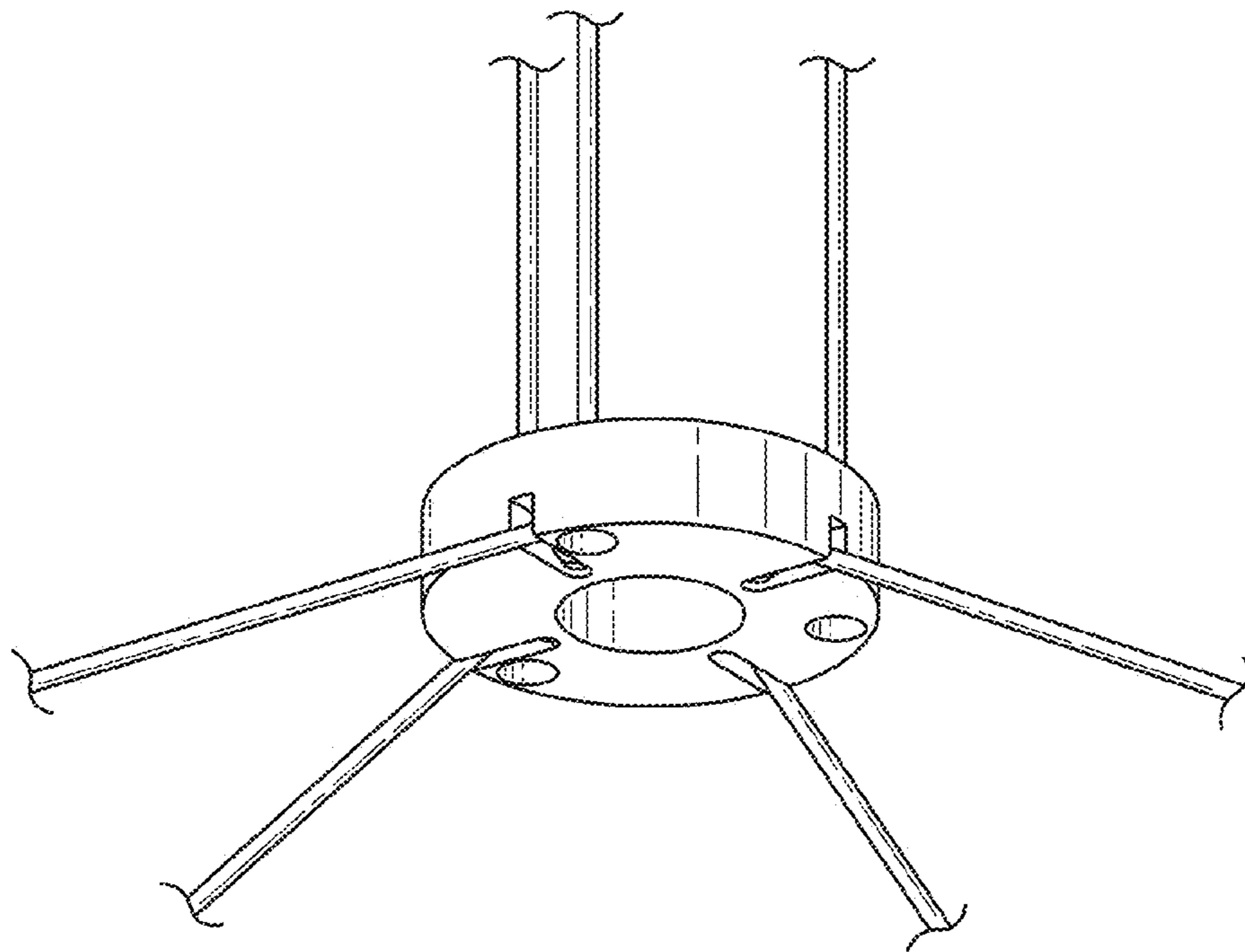
D605,333 S \* 12/2009 Miranda ..... D26/88  
D621,087 S 8/2010 Nagane  
D635,711 S \* 4/2011 Scutella' ..... D26/88  
D669,621 S 10/2012 Sabernig  
D671,676 S \* 11/2012 Komarov et al. .... D26/118  
D698,983 S \* 2/2014 Rampolla et al. .... D26/88  
2004/0109322 A1\* 6/2004 Desanto et al. .... 362/372  
2006/0098445 A1\* 5/2006 Lasch et al. .... 362/407  
2010/0027267 A1\* 2/2010 Hamilton ..... 362/282

2012/0257388 A1\* 10/2012 Bracher et al. .... 362/249.01  
2013/0114245 A1\* 5/2013 Todd, Jr. .... 362/96  
2013/0223073 A1\* 8/2013 Hayashi et al. .... 362/382

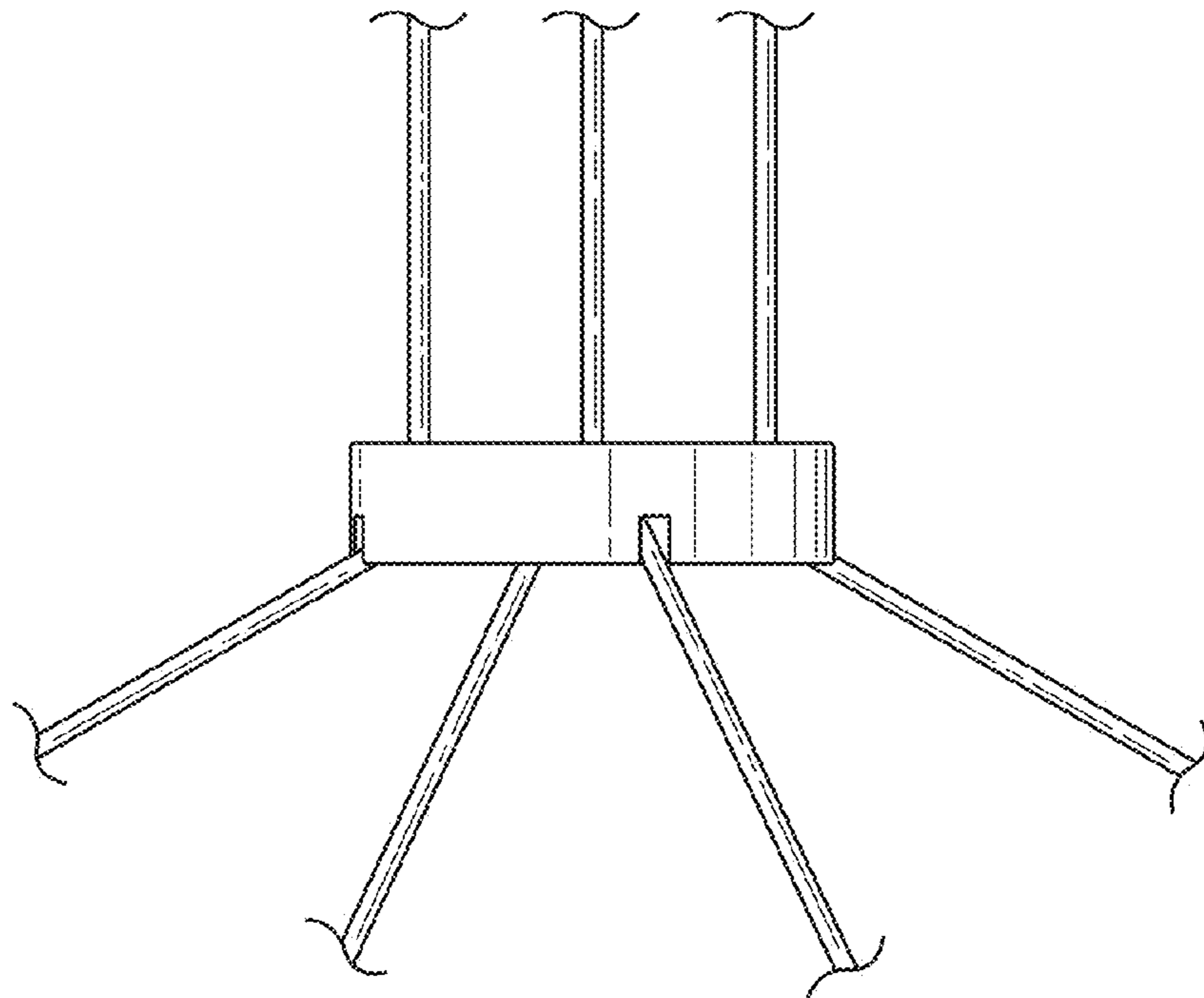
OTHER PUBLICATIONS

Pendant Systems, MGR-SE-TH Lighting Suspension Cable Grippers, webpage literature obtained from internet on Apr. 23, 2013, <http://www.pendantsystems.com/catalog.asp?prodid=542782&showprevnext=1>.  
U.S. Appl. No. 29/452,258, filed Apr. 15, 2013 to Trotter et al., entitled *Cable Suspension System*.

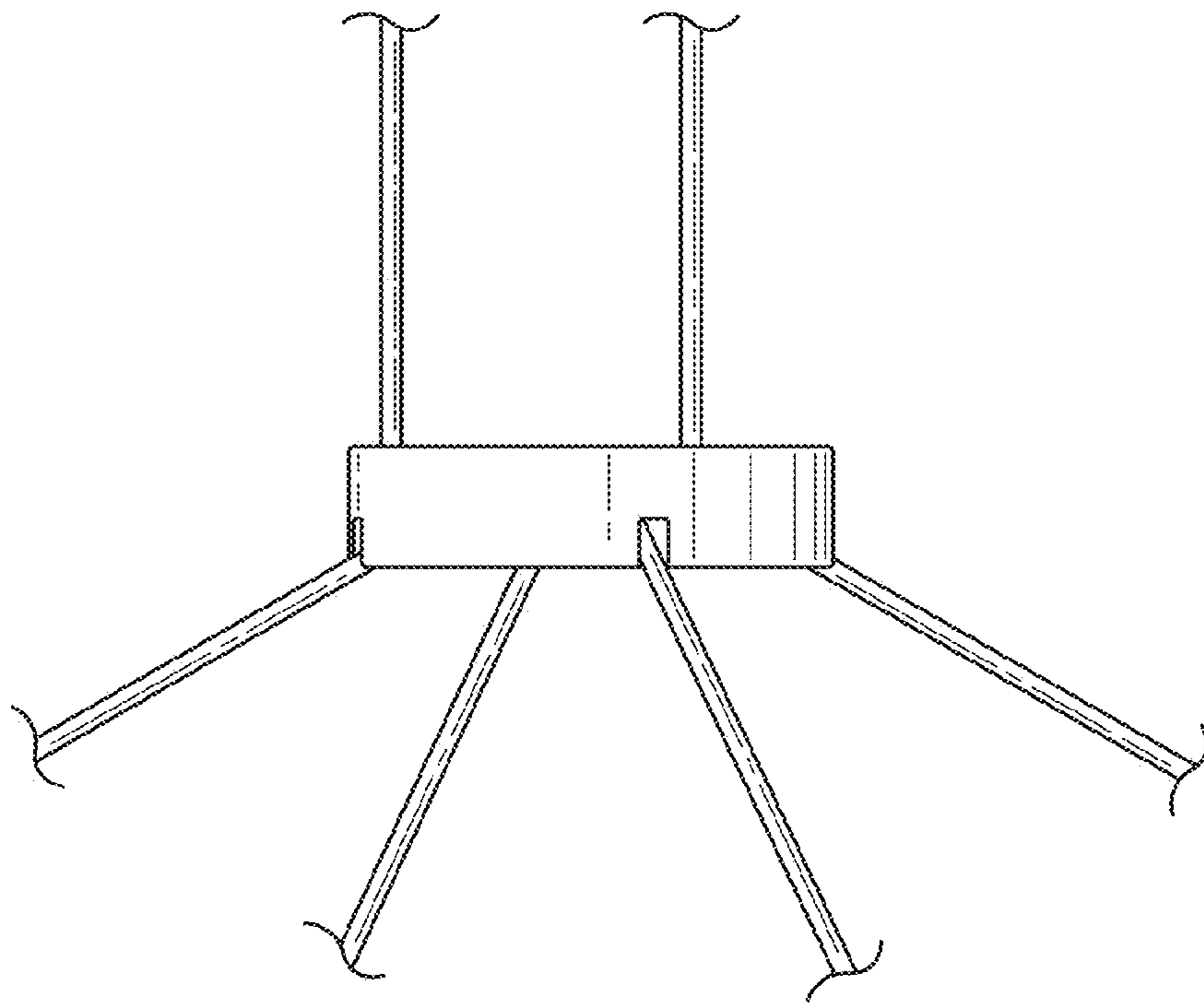
\* cited by examiner



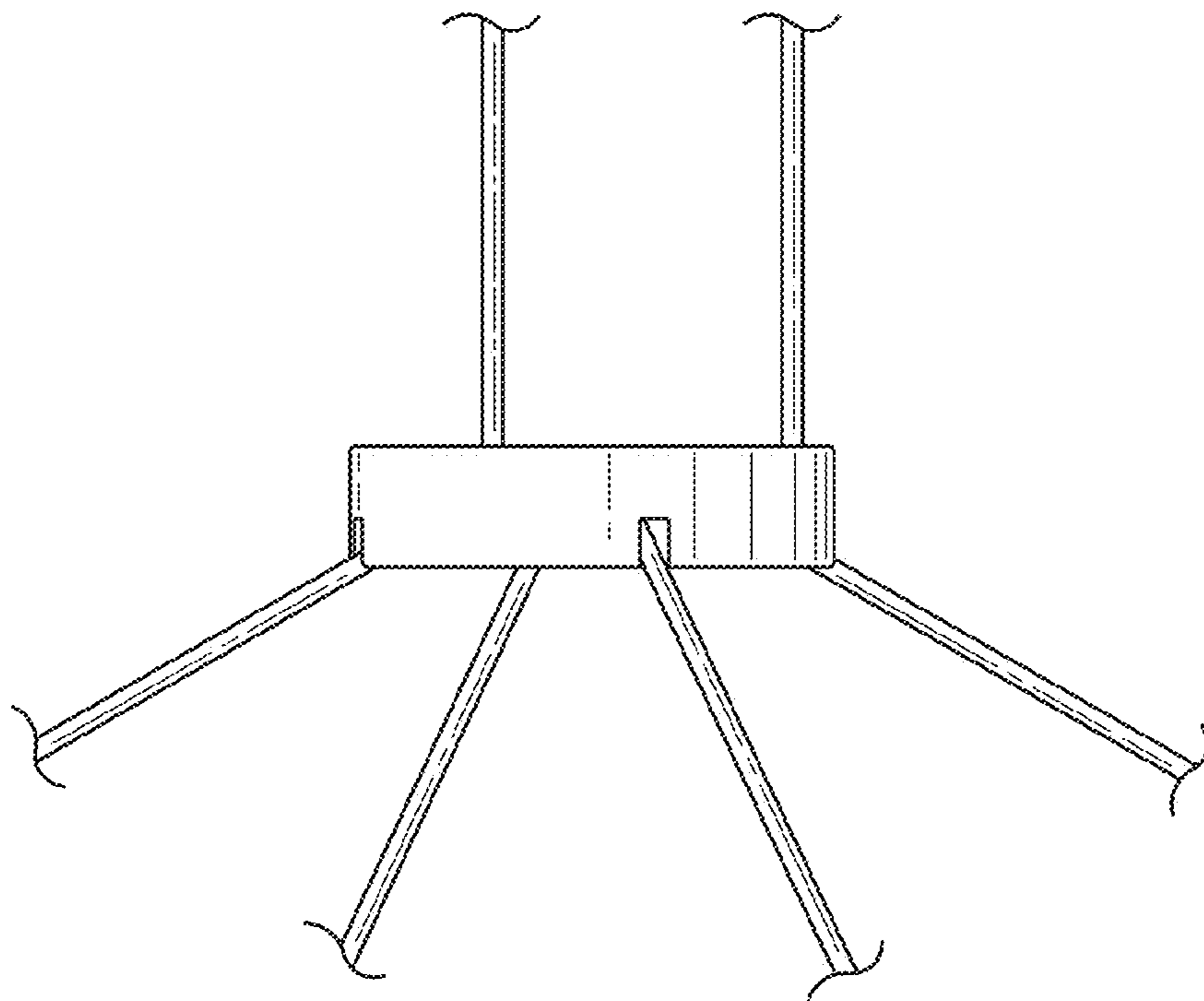
*Fig. 1*



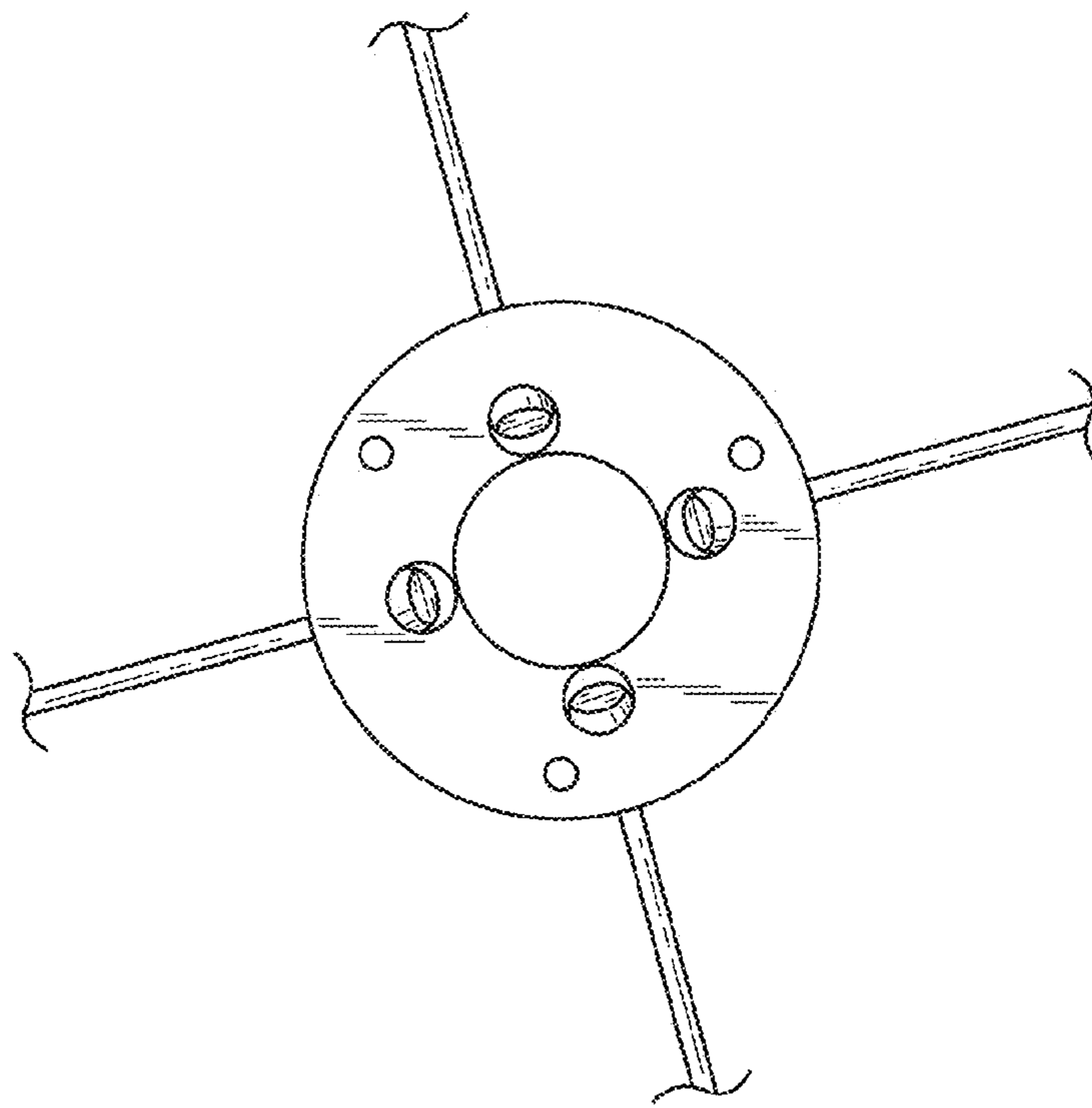
*Fig. 2*



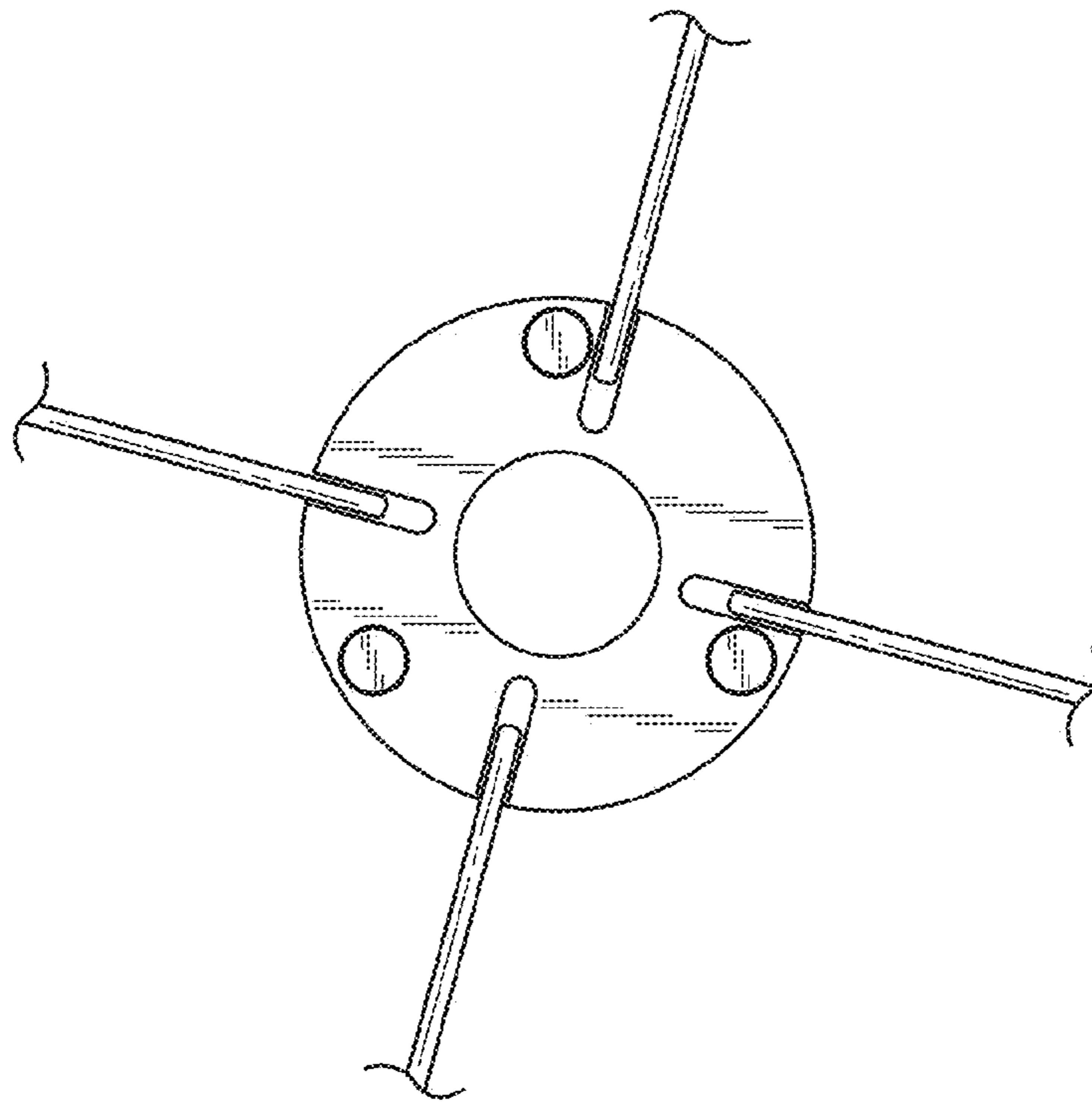
*Fig. 3*



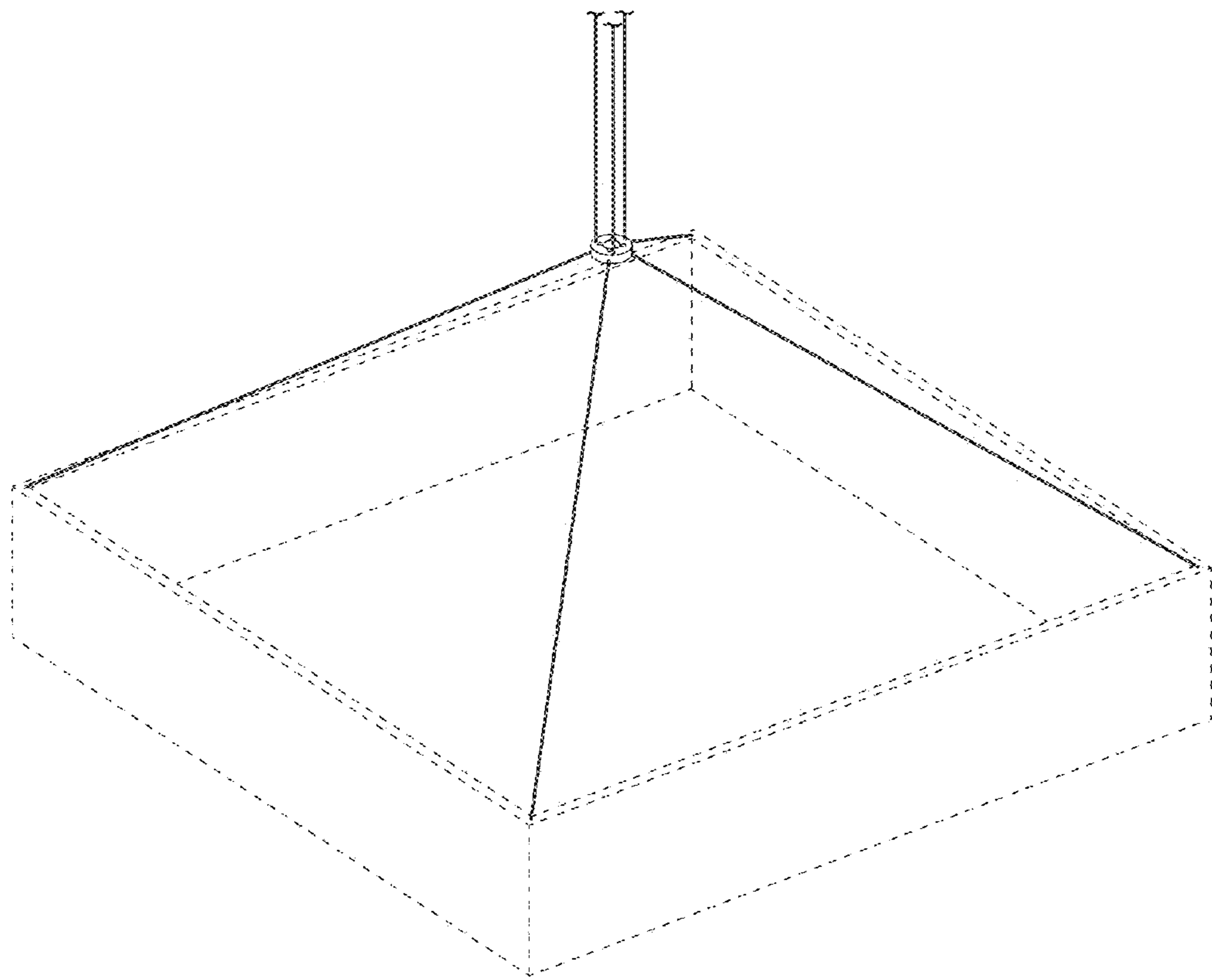
*Fig. 4*



*Fig. 5*



*Fig. 6*



*Fig. 7*