



US00D714993S

(12) **United States Design Patent**  
**Clendening et al.**

(10) **Patent No.:** **US D714,993 S**  
(45) **Date of Patent:** **\*\* Oct. 7, 2014**

- (54) **INDOOR PLANT GROWING APPARATUS**
- (71) Applicants: **Thomas E Clendening**, Muncie, IN  
(US); **John Jay Vance**, Muncie, IN (US)
- (72) Inventors: **Thomas E Clendening**, Muncie, IN  
(US); **John Jay Vance**, Muncie, IN (US)
- (\*\*) Term: **14 Years**
- (21) Appl. No.: **29/489,785**
- (22) Filed: **May 2, 2014**
- (51) **LOC (10) Cl.** ..... **26-99**
- (52) **U.S. Cl.**  
USPC ..... **D26/118**
- (58) **Field of Classification Search**  
CPC ..... Y10S 362/805; F21V 17/02; F21V 5/007;  
F21S 4/00; F21S 4/003; F21S 4/008  
USPC ..... D26/113, 118, 119, 124, 120, 122, 121,  
D26/64, 24, 55, 127, 128, 129, 130  
See application file for complete search history.

7,434,959	B1 *	10/2008	Wang	.....	362/249.01
7,524,090	B2 *	4/2009	Hargreaves	.....	362/294
7,534,011	B2 *	5/2009	Townsley	.....	362/294
D611,014	S *	3/2010	Huang	.....	D13/182
7,703,941	B2 *	4/2010	Lee	.....	362/219
7,815,338	B2 *	10/2010	Siemiet et al.	.....	362/218
7,854,534	B2 *	12/2010	Liu	.....	362/294
D632,001	S *	2/2011	Kong et al.	.....	D26/71
D632,419	S *	2/2011	Ng et al.	.....	D26/78
7,972,044	B2 *	7/2011	Burkhauser	.....	362/373
D642,725	S *	8/2011	Kong et al.	.....	D26/76
8,052,301	B2 *	11/2011	Zhou et al.	.....	362/249.02
8,101,434	B2 *	1/2012	Guillien et al.	.....	438/15
8,220,980	B2 *	7/2012	Gingrich, III	.....	362/612

(Continued)

*Primary Examiner* — Kevin Rudzinski  
(74) *Attorney, Agent, or Firm* — Mitchell Law PLLC;  
Matthew W. Mitchell

(57) **CLAIM**  
The ornamental design for an indoor plant growing apparatus,  
as shown and described.

**DESCRIPTION**

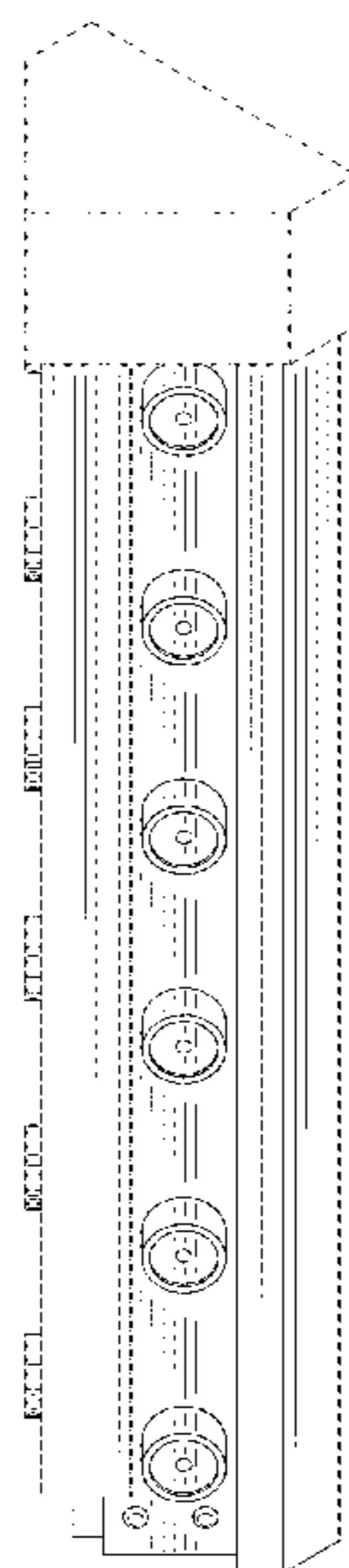
FIG. 1 is an isometric view of the indoor plant growing apparatus of the present invention;  
FIG. 2 is a front view of the indoor plant growing apparatus of FIG. 1;  
FIG. 3 is a rear view of the indoor plant growing apparatus of FIG. 1 as seen from a bottom side of FIG. 2;  
FIG. 4 is a side view in elevation of the indoor plant growing apparatus of FIG. 1, as seen from the left side of FIG. 2;  
FIG. 5 is a side view of the indoor plant growing apparatus of FIG. 1, as seen from the right side of FIG. 2; and,  
FIG. 6 is a top view of the indoor plant growing apparatus of FIG. 1.  
The broken line showing a capping structure is included for contextual purposes and forms no part of the claimed design.

**1 Claim, 3 Drawing Sheets**

(56) **References Cited**

U.S. PATENT DOCUMENTS

4,078,169	A *	3/1978	Armstrong	.....	362/122
D343,016	S *	1/1994	Matsukawa	.....	D26/35
5,363,594	A *	11/1994	Davis	.....	47/82
5,641,223	A *	6/1997	Rustebakke	.....	362/122
6,230,437	B1 *	5/2001	Wolverton et al.	.....	47/39
6,247,830	B1 *	6/2001	Winnett et al.	.....	362/264
6,536,924	B2 *	3/2003	Segretto	.....	362/345
D476,753	S *	7/2003	Chelf et al.	.....	D26/3
6,595,662	B2 *	7/2003	Wardenburg	.....	362/362
6,615,542	B2 *	9/2003	Ware	.....	47/83
D523,165	S *	6/2006	Schultz	.....	D26/76
D532,143	S *	11/2006	Woertler	.....	D26/80
7,234,840	B2 *	6/2007	Agabekov et al.	.....	362/249.06
7,311,420	B2 *	12/2007	Tan et al.	.....	362/240
D577,857	S *	9/2008	Tress et al.	.....	D26/141



(56)

**References Cited**

U.S. PATENT DOCUMENTS

8,348,460 B2 \* 1/2013 Bachl et al. .... 362/249.01  
D678,599 S \* 3/2013 Boyer et al. .... D26/128  
D681,261 S \* 4/2013 Miyatake et al. .... D26/120  
D687,179 S \* 7/2013 Kim ..... D26/118

2002/0172046 A1 \* 11/2002 Perlo et al. .... 362/304  
2008/0205030 A1 \* 8/2008 Hargreaves ..... 362/1  
2009/0101921 A1 \* 4/2009 Lai ..... 257/88  
2009/0185379 A1 \* 7/2009 Chen ..... 362/294  
2009/0323347 A1 \* 12/2009 Zhang et al. .... 362/294  
2013/0294062 A1 \* 11/2013 Li ..... 362/225

\* cited by examiner

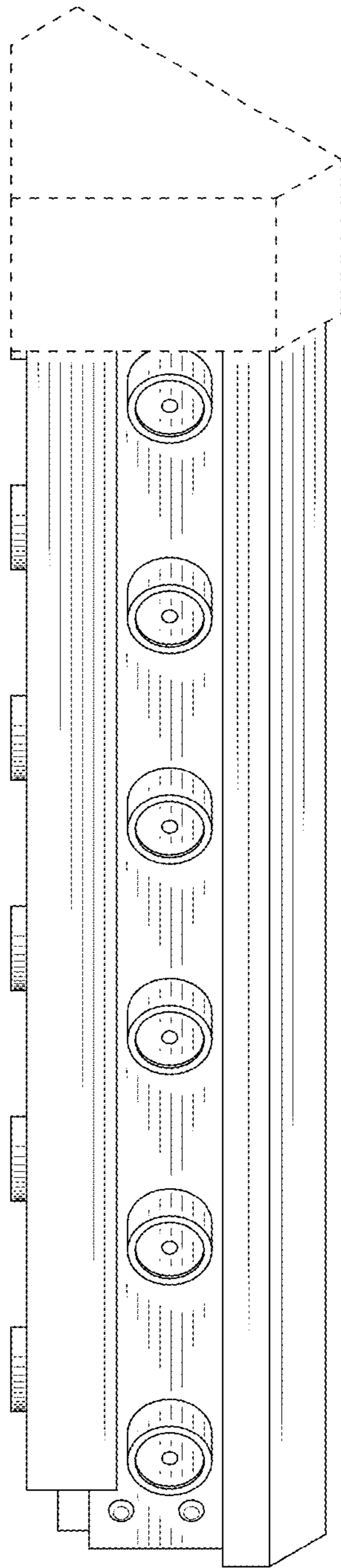


FIG. 1

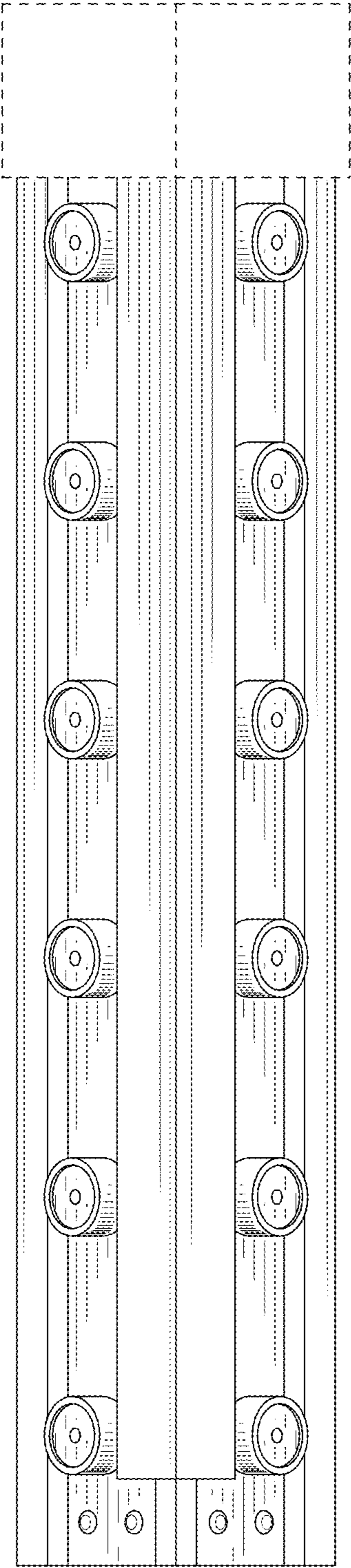


FIG. 2

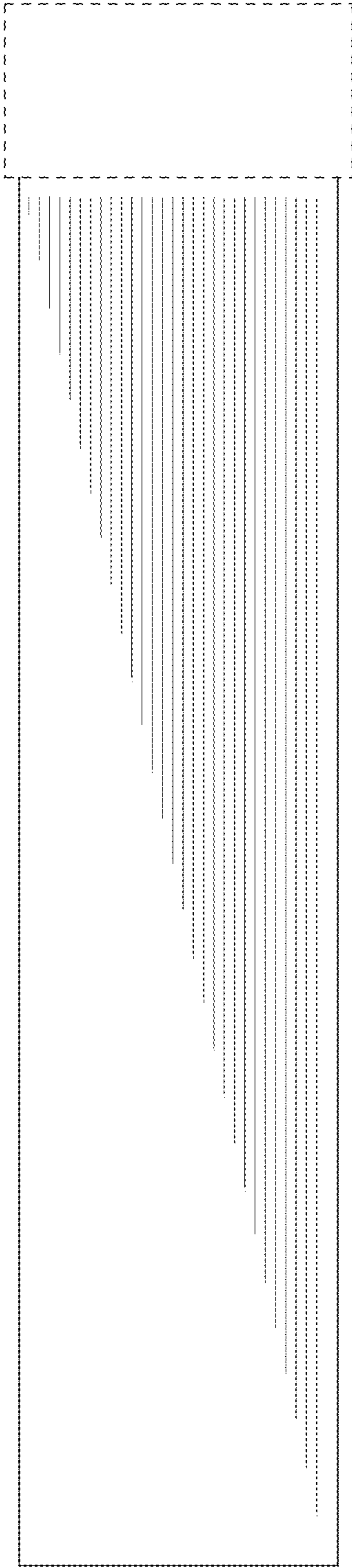


FIG. 3

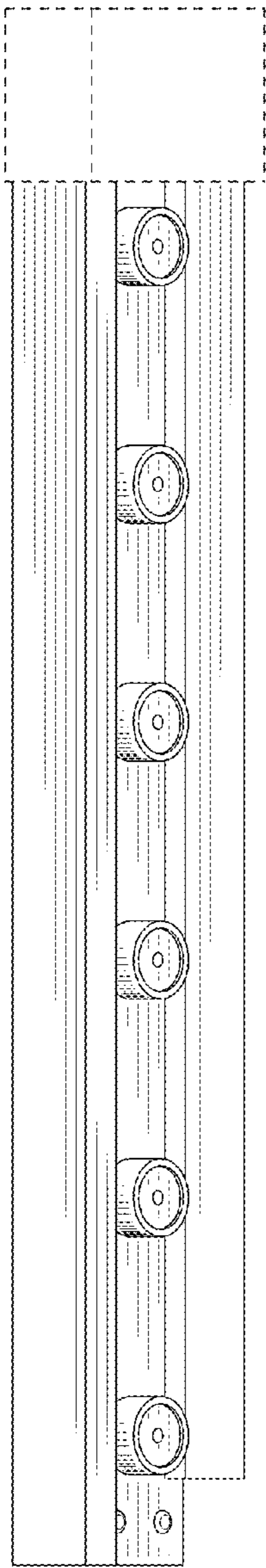


FIG. 4

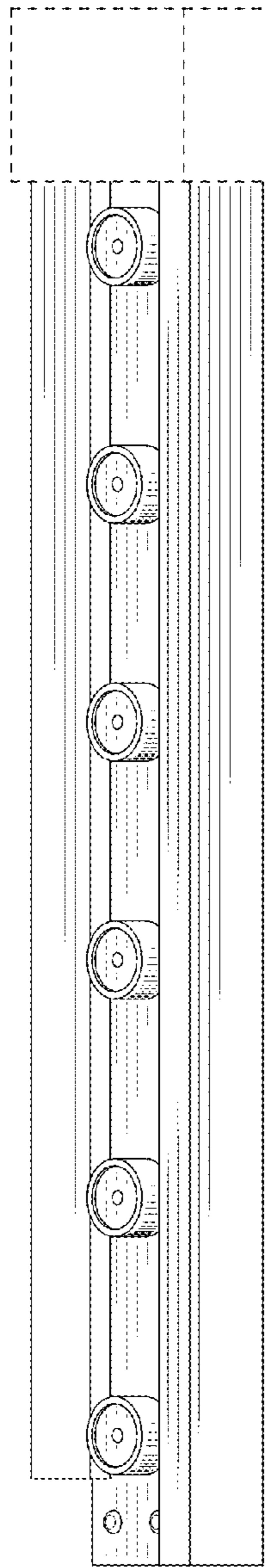


FIG. 5

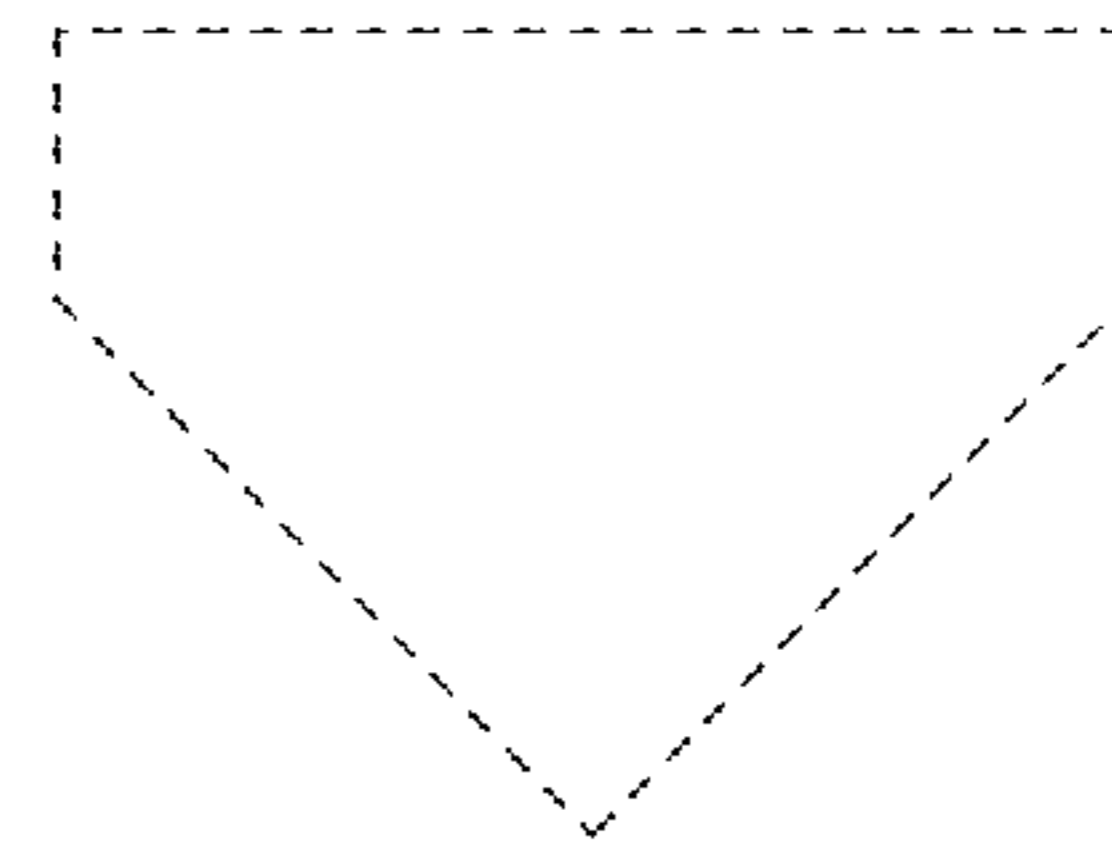


FIG. 6