



US00D714992S

(12) **United States Design Patent**
Bryant

(10) **Patent No.:** **US D714,992 S**

(45) **Date of Patent:** **** Oct. 7, 2014**

(54) **WALL PACK LIGHT FIXTURE WITH LENS**

(71) Applicant: **Christopher Michael Bryant**, Social Circle, GA (US)

(72) Inventor: **Christopher Michael Bryant**, Social Circle, GA (US)

(73) Assignee: **Cooper Technologies Company**, Houston, TX (US)

(**) Term: **14 Years**

(21) Appl. No.: **29/481,305**

(22) Filed: **Feb. 4, 2014**

Related U.S. Application Data

(63) Continuation of application No. 29/436,981, filed on Nov. 12, 2012, now Pat. No. Des. 698,978.

(51) **LOC (10) Cl.** **26-99**

(52) **U.S. Cl.**
USPC **D26/118; D26/120**

(58) **Field of Classification Search**
USPC D26/72, 85-87, 92, 118, 120; 362/147, 362/432
See application file for complete search history.

(56) **References Cited**

U.S. PATENT DOCUMENTS

2,732,484	A	1/1956	Lipscomb	
3,047,716	A *	7/1962	Hoxie et al.	362/308
D203,060	S	11/1965	Schaefer	
3,263,071	A *	7/1966	Fabbri	362/355
D228,667	S	10/1973	Anderson, Jr.	
D248,184	S	6/1978	Roberts	
D285,258	S *	8/1986	Hamasaki	D26/28
D287,646	S *	1/1987	Ayukawa	D26/120
D289,087	S *	3/1987	Kobata	D26/120
D380,853	S	7/1997	Johnson	
D415,305	S	10/1999	Putman	

D421,816	S	3/2000	Gongora et al.	
D456,932	S	5/2002	Crosby	
D465,050	S	10/2002	Crelin	
D499,834	S	12/2004	Yu et al.	
D527,134	S	8/2006	Bagen	
D544,991	S *	6/2007	Guercio	D26/118
D553,789	S	10/2007	Akinrele et al.	
D562,491	S	2/2008	DiCola	
D574,995	S *	8/2008	Boyer	D26/120
D577,146	S	9/2008	Haugaard et al.	
D579,141	S	10/2008	Guercio	
D579,144	S	10/2008	Wnek et al.	
D590,088	S	4/2009	Dworschak	
D590,983	S	4/2009	Sabernig	
D595,447	S	6/2009	Purcell	

(Continued)

OTHER PUBLICATIONS

Lighting Science; Wallpak; product specification sheet; Nov. 2010. (2 pages).*

(Continued)

Primary Examiner — Clare E Heflin

(74) *Attorney, Agent, or Firm* — King & Spalding LLP

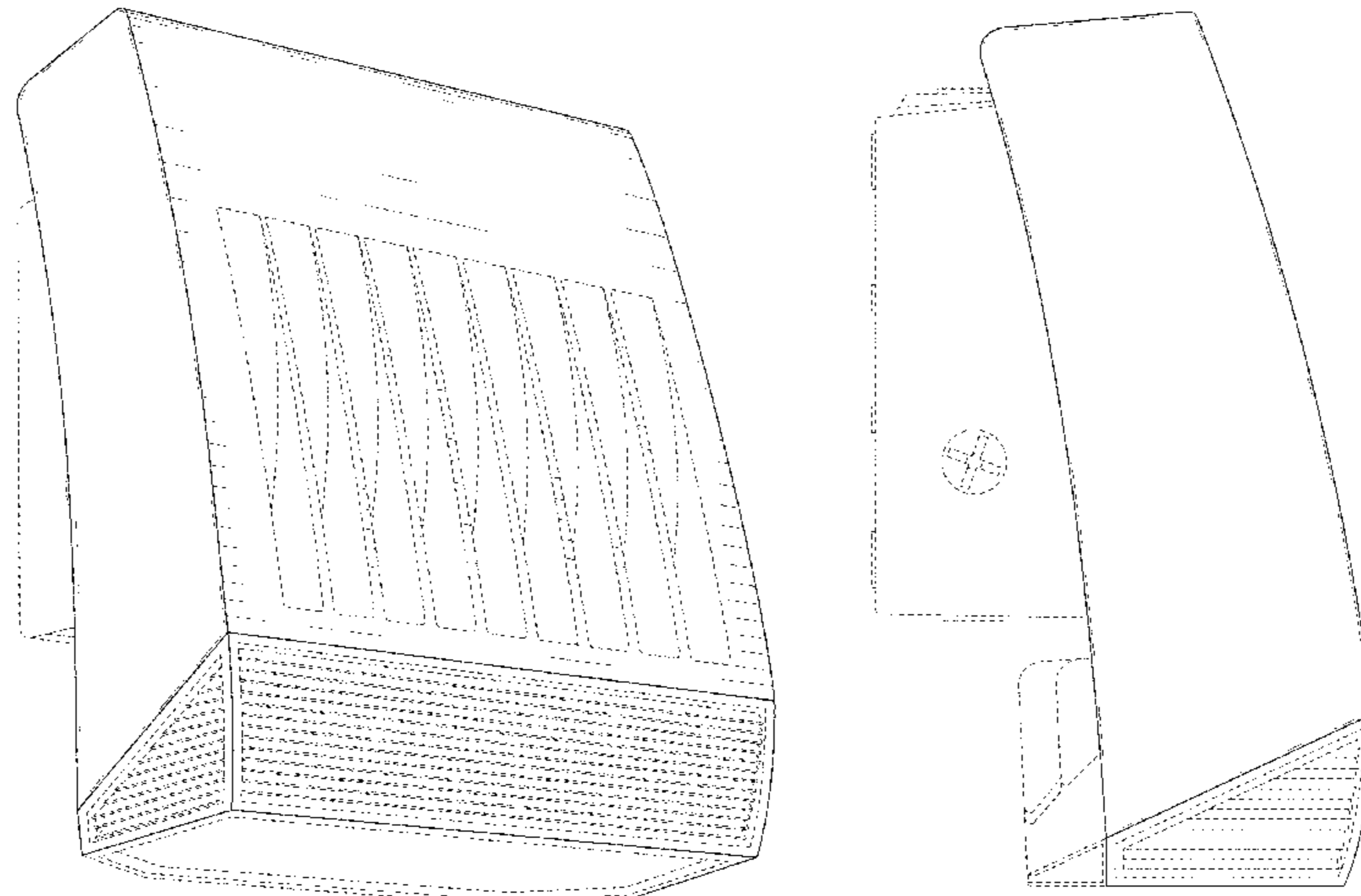
(57) **CLAIM**

The ornamental design for a wall pack light fixture with lens, as shown and described.

DESCRIPTION

FIG. 1 is a perspective view of a wall pack light fixture with lens, showing my new design;
FIG. 2 is a front view thereof;
FIG. 3 is a left side view thereof;
FIG. 4 is right side view thereof;
FIG. 5 is a top plan view thereof;
FIG. 6 is a bottom plan view thereof; and,
FIG. 7 is a rear perspective view thereof.
The broken lines shown represent unclaimed subject matter and form no part of the claimed design.

1 Claim, 6 Drawing Sheets



(56)

References Cited

U.S. PATENT DOCUMENTS

D608,040 S 1/2010 Guercio
D609,387 S 2/2010 Compton
D610,296 S 2/2010 Boissevain
D612,975 S 3/2010 Guercio et al.
D617,491 S 6/2010 Dordoni
D626,271 S 10/2010 Verelst
D634,873 S 3/2011 Guercio
D634,878 S 3/2011 Guercio et al.
D643,147 S 8/2011 Guercio et al.
D643,571 S 8/2011 Chen
D644,370 S 8/2011 Lickiss
D647,662 S 10/2011 Vereist et al.
D650,112 S 12/2011 Bryant
D658,803 S 5/2012 Maxik et al.
D659,895 S 5/2012 Maxik et al.
D678,596 S * 3/2013 Bryant D26/118

D691,320 S * 10/2013 Guercio et al. D26/85
D695,445 S * 12/2013 Panchisin et al. D26/118
D698,986 S * 2/2014 Reynolds D26/118

OTHER PUBLICATIONS

Press Release, RAB Lighting, Oct. 12, 2010, RAB LPACK13 Makes the Switch to LED Even Easier. (2 pages).*

Press Release, RAB Lighting, Feb. 9, 2010, RAB Lighting launches 20W LED Wallpack for out-door use. (1 page).*

Press Release, RAB Lighting, Dec. 23, 2009, RAB Lighting Introduces new LED Wallpack. (2 pages).*

Lighting Science; Wallpak ; product specification sheet; Nov. 2010.

Press Release, RAB Lighting, Oct. 12, 2010, RAB LPACK13 Makes the Switch to LED Even Easier.

Press Release, RAB Lighting, Feb. 9, 2010, RAB Lighting launches 20W LED Wallpack for out-door use.

Press Release, RAB Lighting, Dec. 23, 2009, RAB Lighting Introduces new LED Wallpack.

* cited by examiner

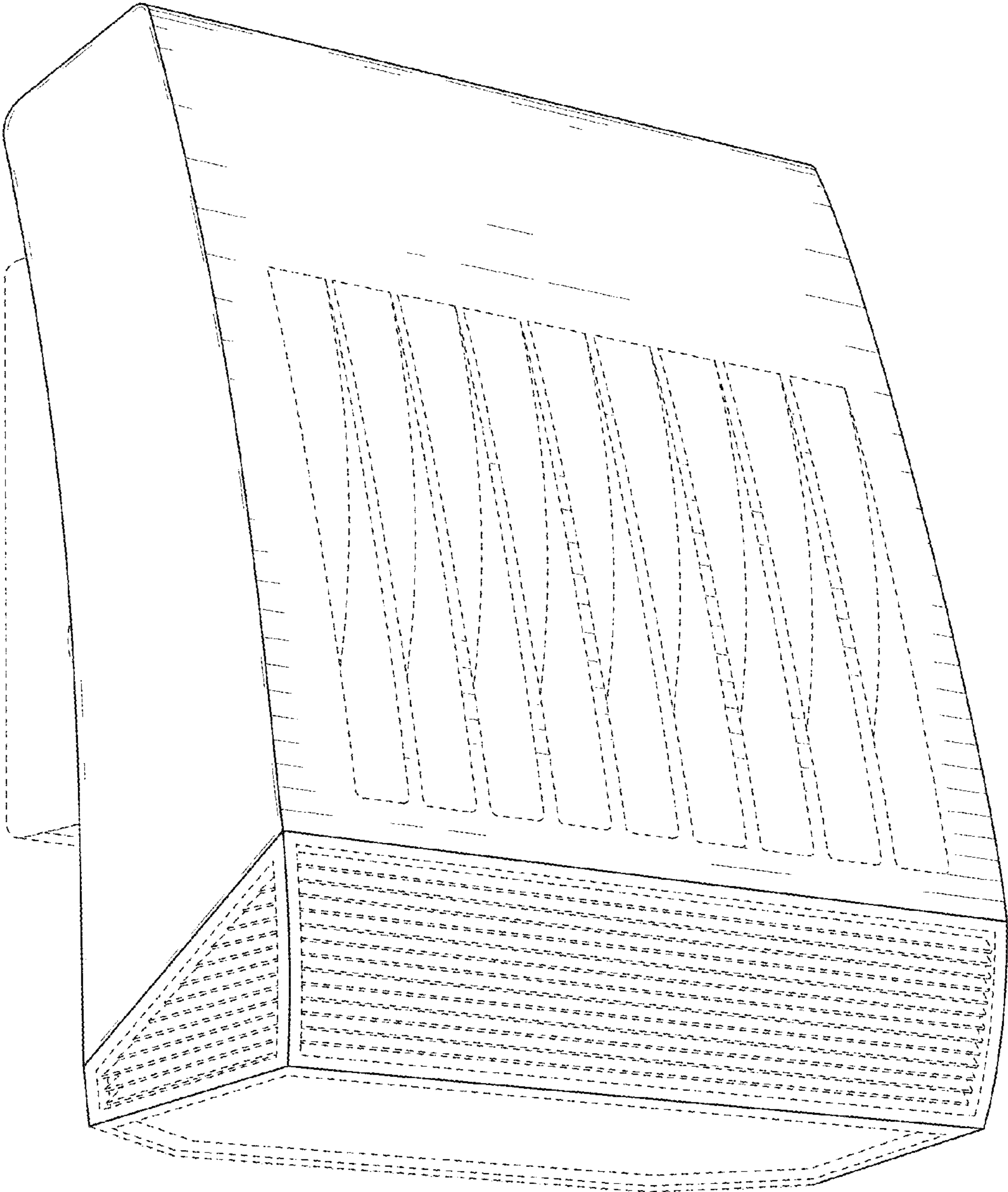


FIG. 1

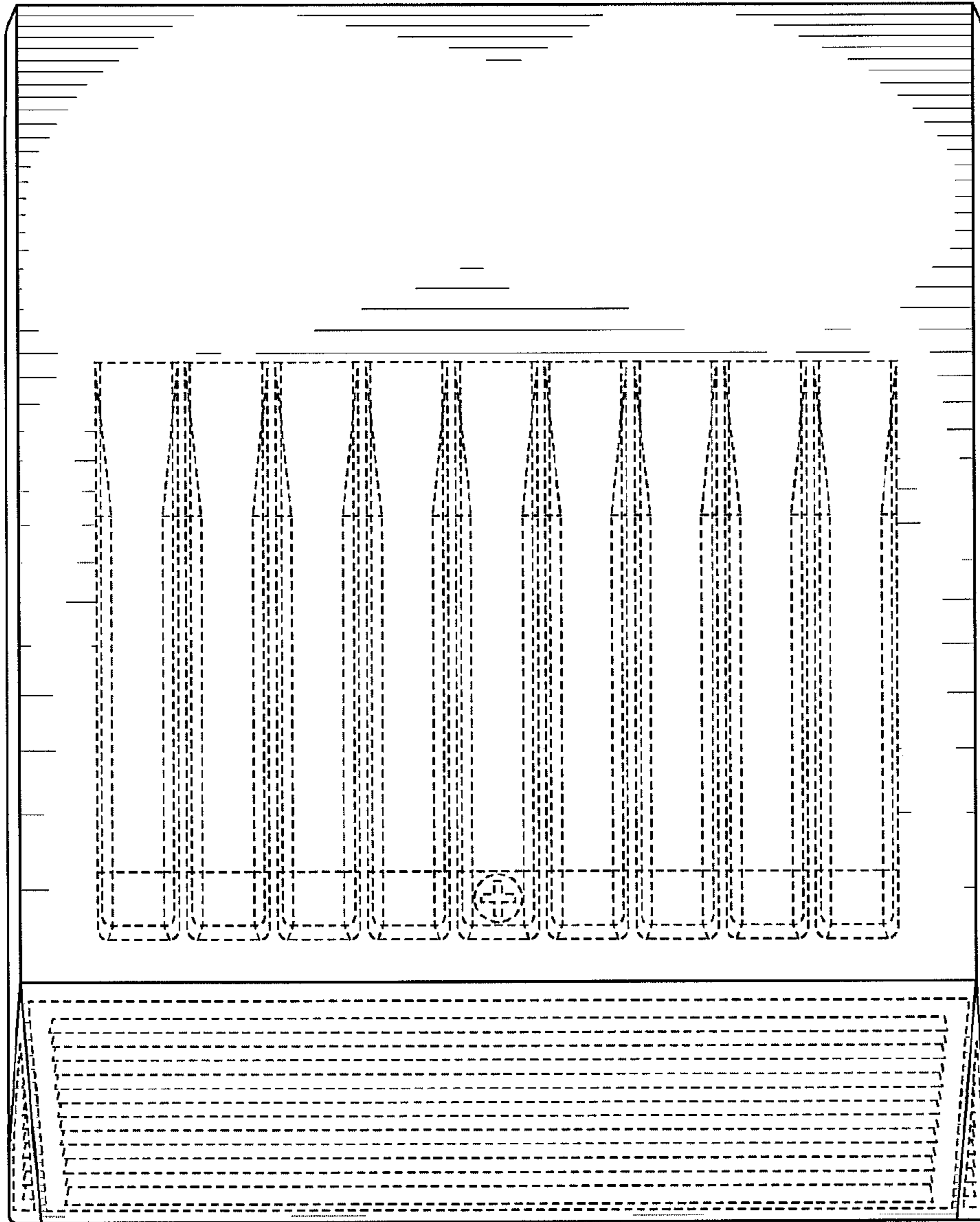


FIG. 2

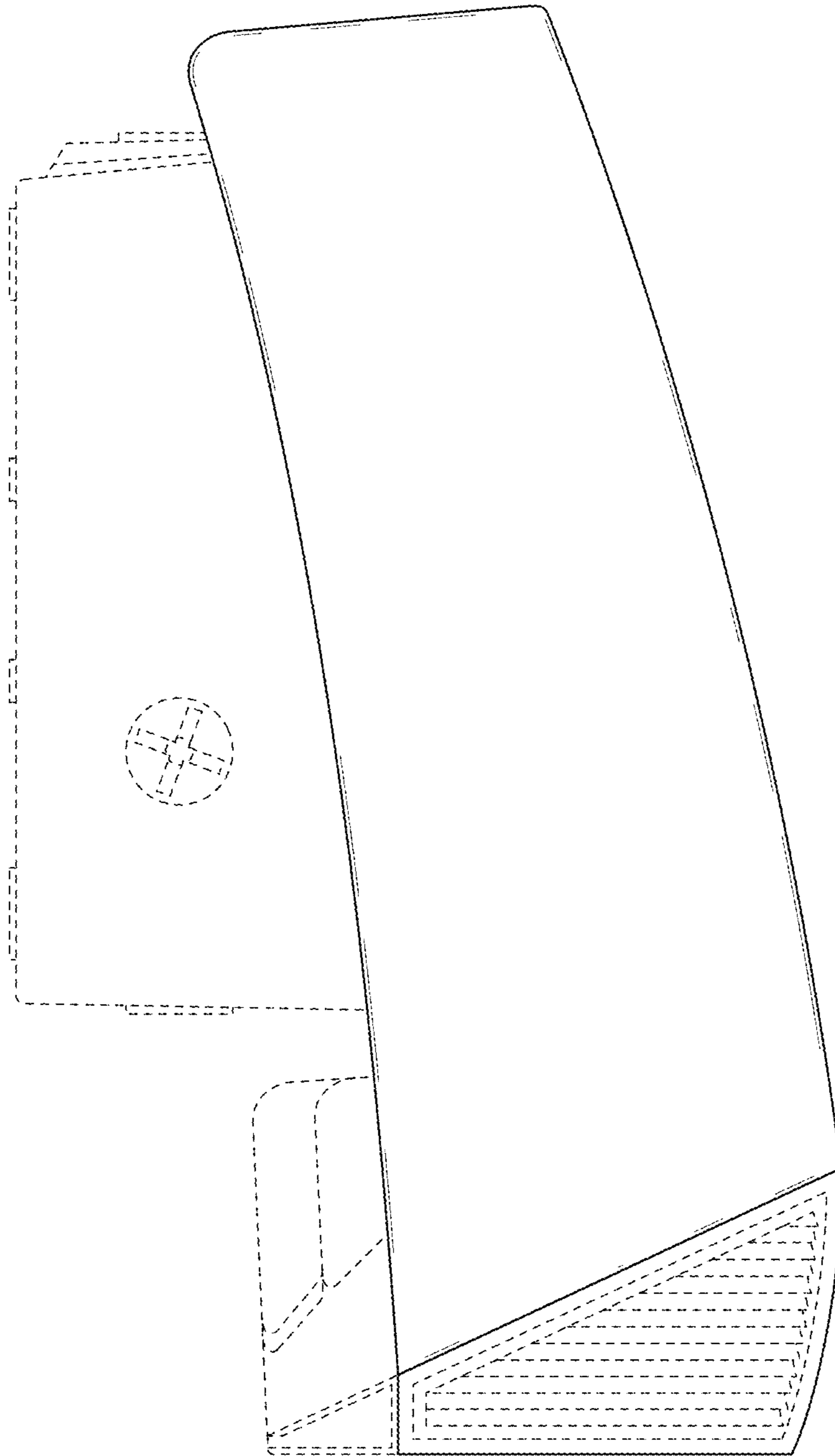


FIG. 3

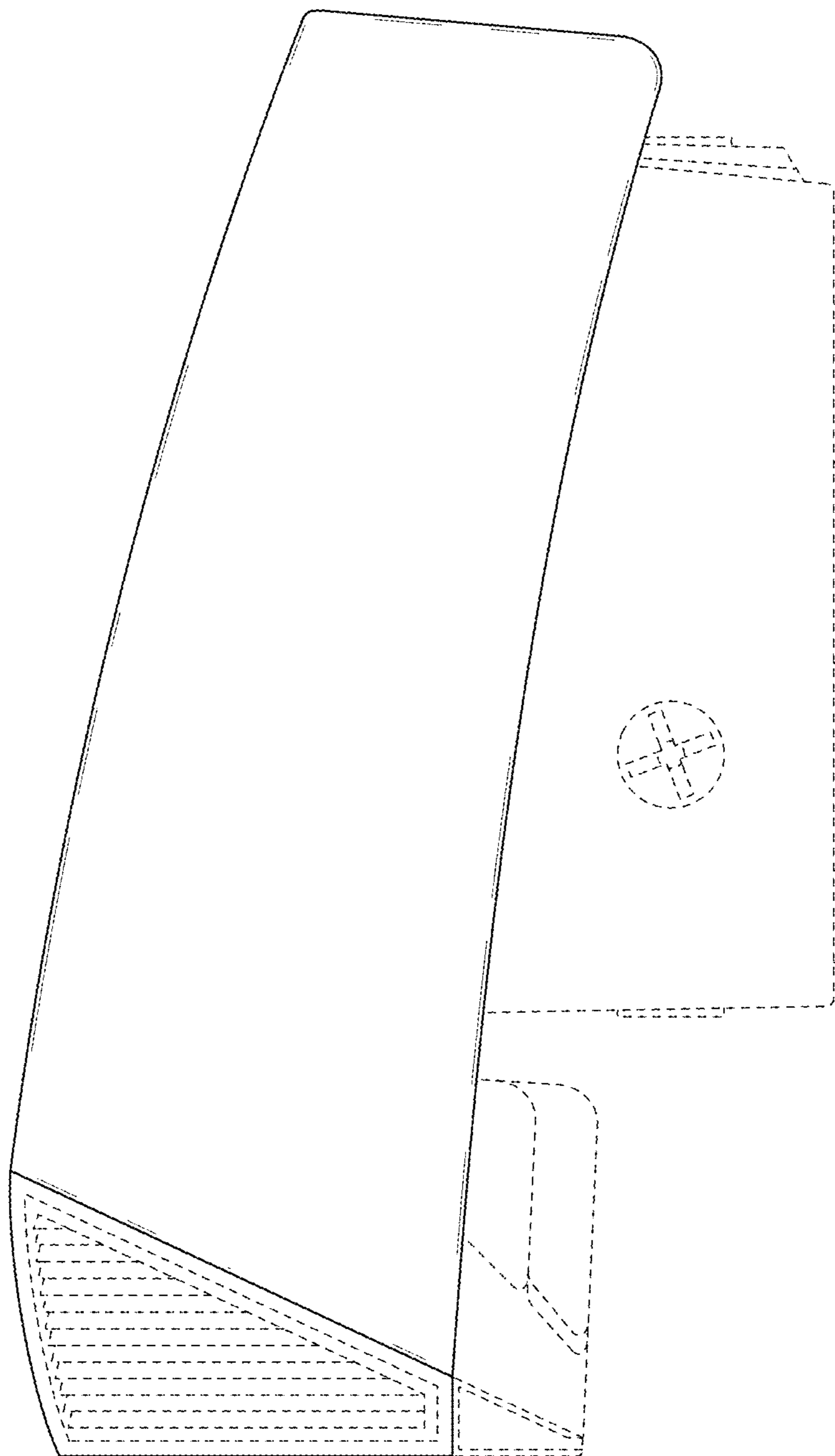


FIG. 4

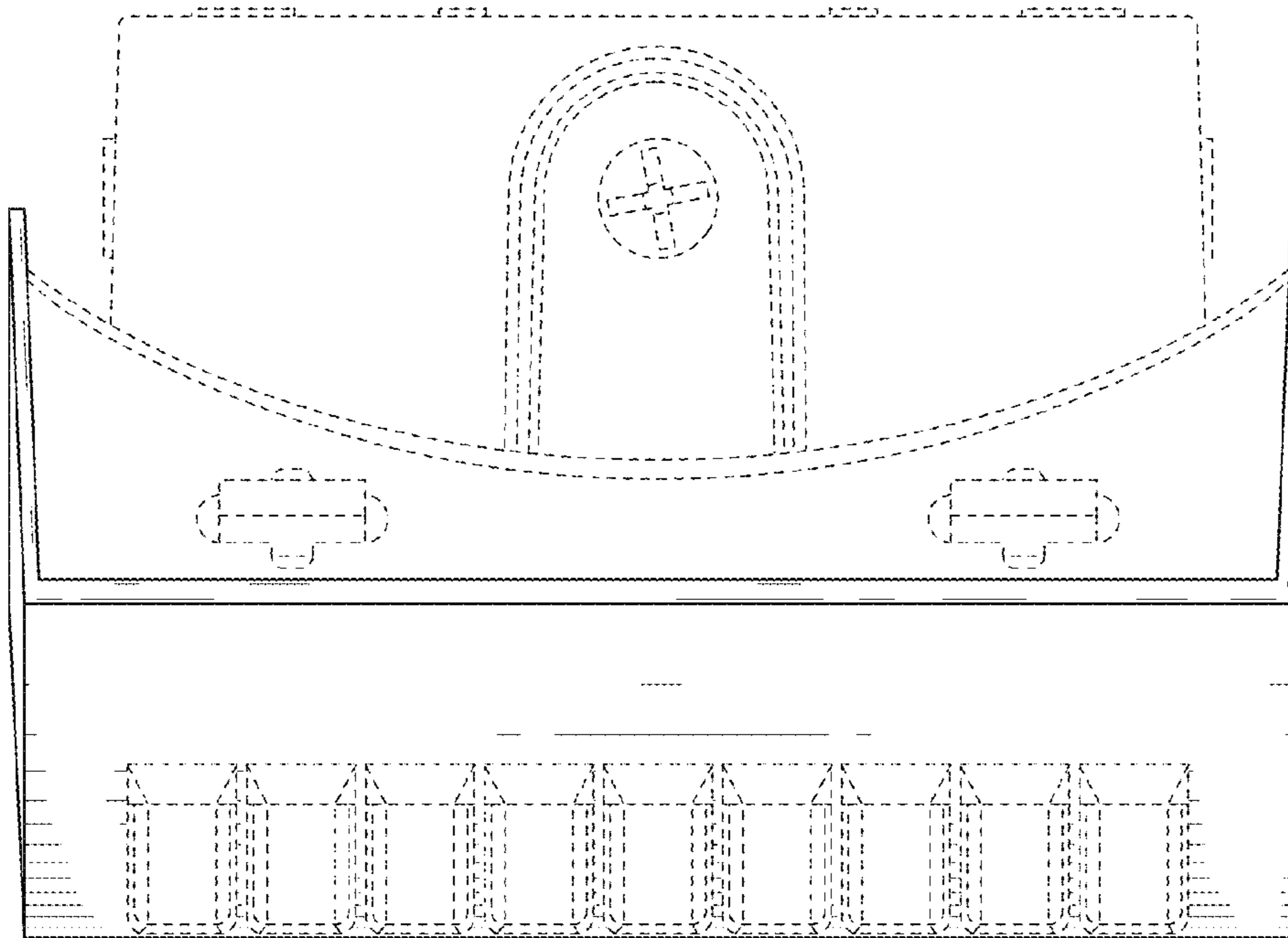


FIG. 5

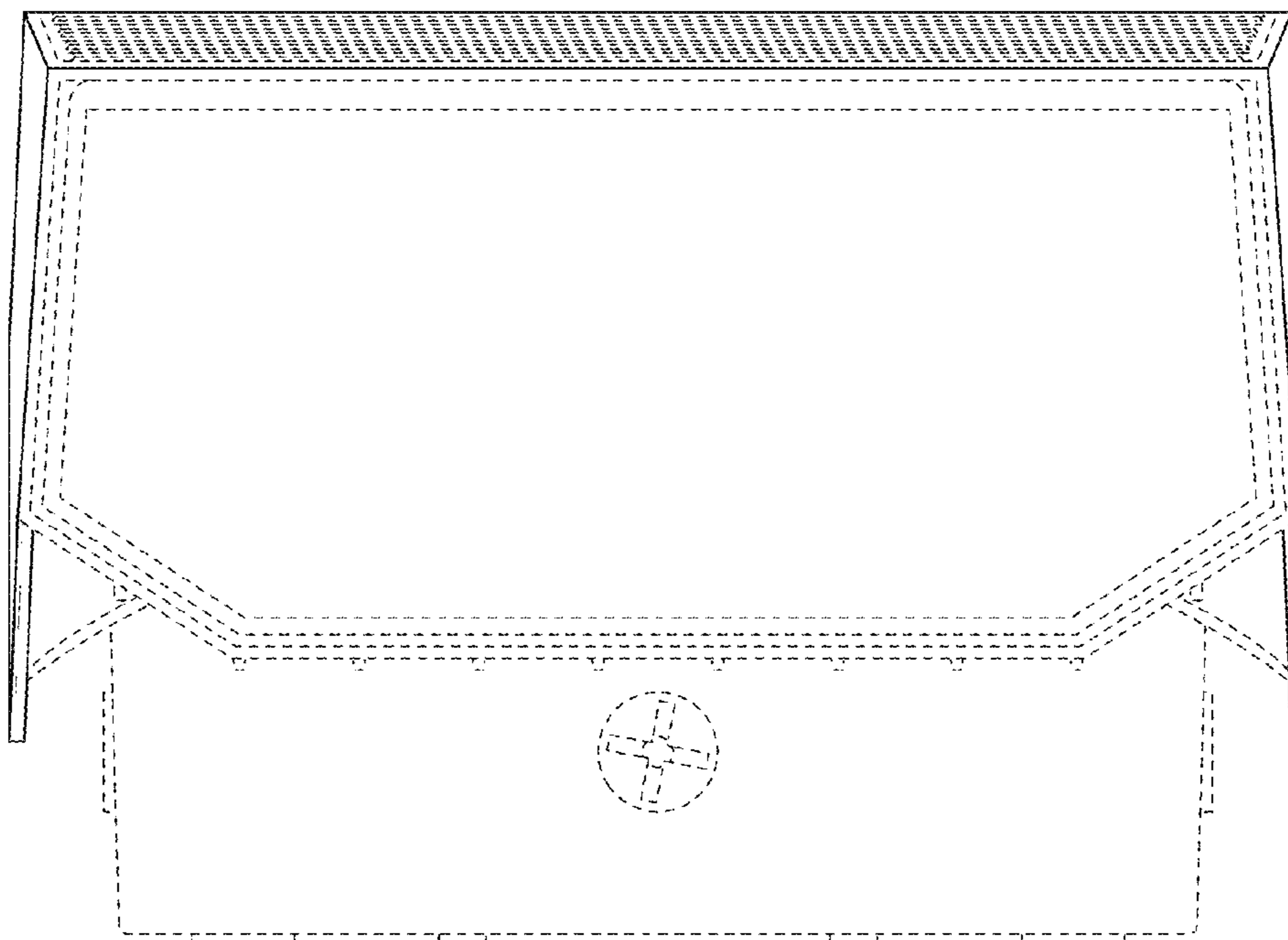


FIG. 6

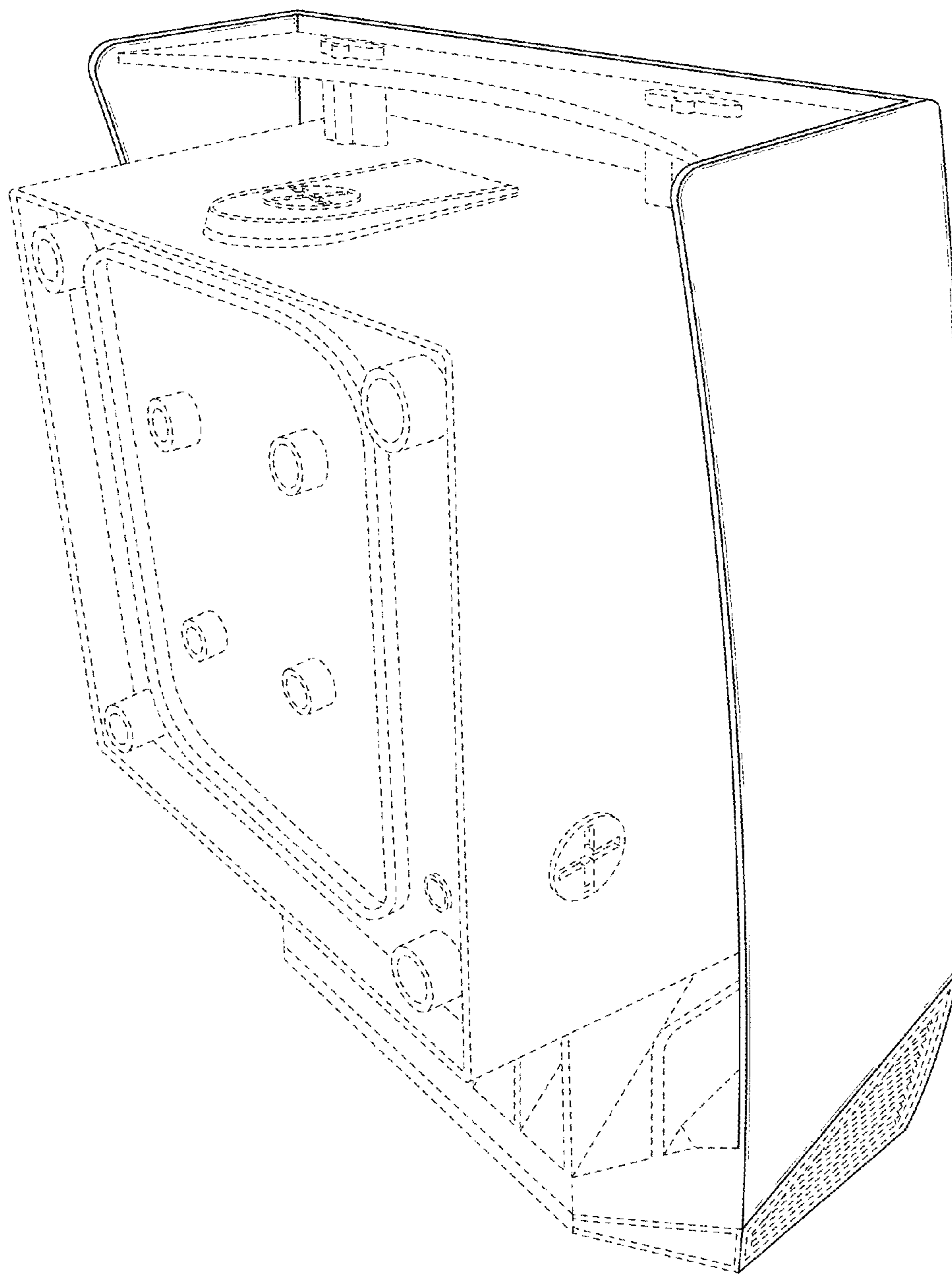


FIG. 7