



US00D714991S

(12) **United States Design Patent**  
**Norris et al.**

(10) **Patent No.:** **US D714,991 S**

(45) **Date of Patent:** **\*\* Oct. 7, 2014**

(54) **LAMP**

(71) Applicant: **Grote Industries, Inc.**, Madison, IN (US)

(72) Inventors: **Brian K. Norris**, Madison, IN (US); **Jamie H. Davis**, Madison, IN (US); **Rob E. Reese**, Madison, IN (US); **Robert Fisher**, New Albany, IN (US)

(73) Assignee: **Grote Industries, Inc.**, Madison, IN (US)

(\*\*) Term: **14 Years**

(21) Appl. No.: **29/471,926**

(22) Filed: **Nov. 6, 2013**

(51) **LOC (10) Cl.** ..... **29-99**

(52) **U.S. Cl.**  
USPC ..... **D26/118**

(58) **Field of Classification Search**  
USPC ..... D26/118, 119, 120, 64, 65, 72, 124, D26/125, 138, 128, 132, 84, 85, 86, 87, 69, D26/62, 1, 2, 113, 134, 135, 89, 90, 24, 145, D26/142, 74, 63, 88; 362/147, 364, 362, 362/365, 294, 249.03, 282, 275, 190, 341, 362/249.01; D13/179, 180  
See application file for complete search history.

(56) **References Cited**

**U.S. PATENT DOCUMENTS**

D352,121 S *	11/1994	Haraden et al.	.....	D26/2
D490,172 S *	5/2004	Yamamoto	.....	D26/28
D570,009 S *	5/2008	Kani et al.	.....	D26/28
D572,856 S	7/2008	Kehl et al.		
D585,589 S *	1/2009	Alexander et al.	.....	D26/118
D601,727 S *	10/2009	Huang	.....	D26/28
D605,789 S *	12/2009	Ko	.....	D26/28
D615,239 S *	5/2010	Rashidi	.....	D26/118
D634,871 S *	3/2011	Wooh	.....	D26/63

D639,468 S *	6/2011	Huang	.....	D26/28
D640,405 S *	6/2011	Yamada	.....	D26/63
D688,399 S *	8/2013	Adams	.....	D26/28
D688,400 S *	8/2013	Haumann	.....	D26/28
D694,920 S *	12/2013	Jurgens et al.	.....	D26/28
D694,928 S *	12/2013	Chen	.....	D26/63

(Continued)

**OTHER PUBLICATIONS**

Hella. Worklights. The Right Light for Every Field: Worklights from Hella, Sep. 5, 2013 [online]. [retrieved on Nov. 12, 2013]. Retrieved from the Internet <URL: <http://www.hella.com/agriculture/en/farmer/752.html>>.

(Continued)

*Primary Examiner* — Kevin Rudzinski

(74) *Attorney, Agent, or Firm* — Woodard, Emhardt, Moriarty, McNett & Henry LLP

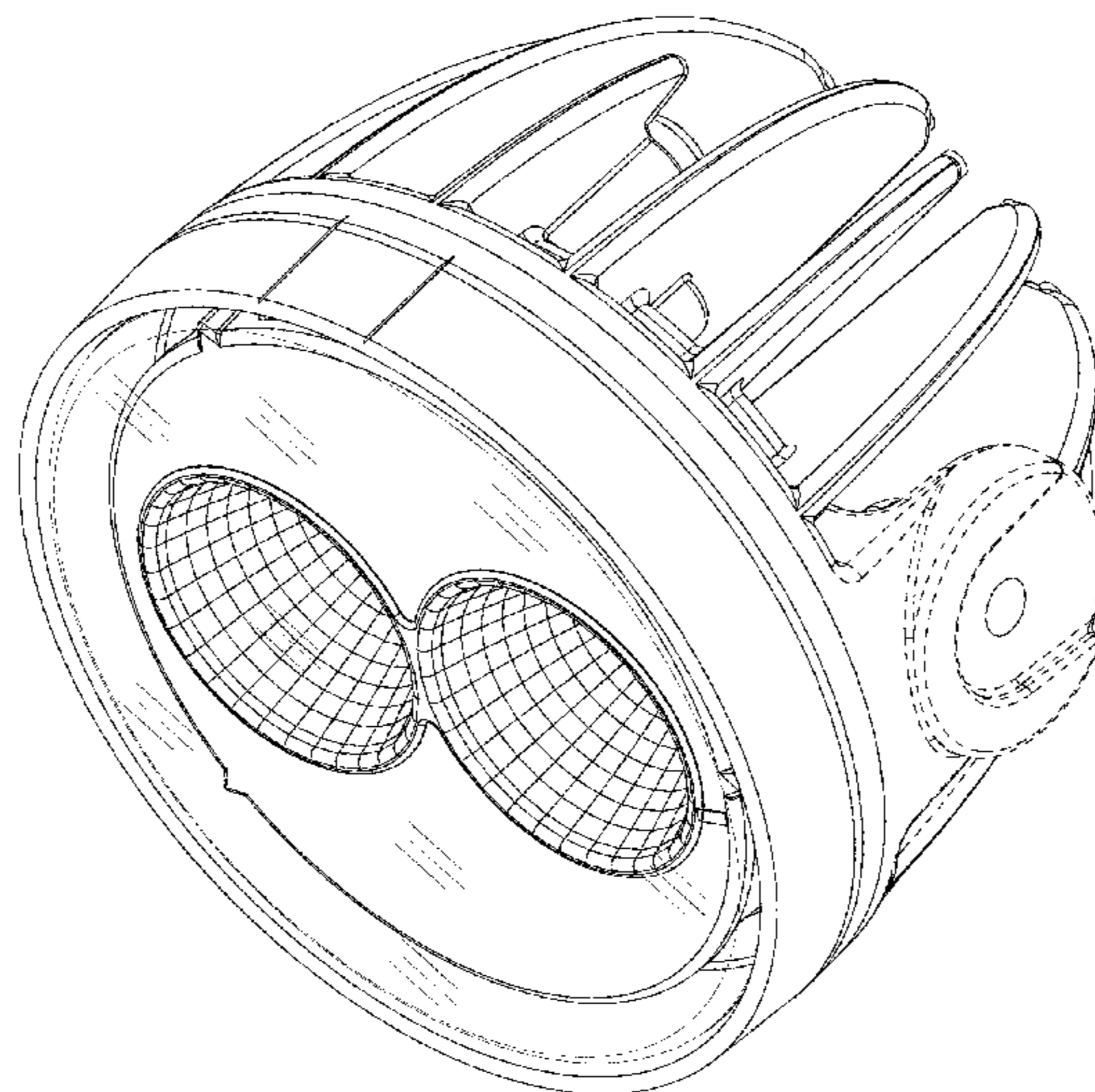
(57) **CLAIM**

The ornamental design for a lamp, as shown and described.

**DESCRIPTION**

FIG. 1 is a perspective view of a lamp showing the new design;  
FIG. 2 is a front view thereof;  
FIG. 3 is a left view thereof;  
FIG. 4 is a right view thereof;  
FIG. 5 is a top view thereof;  
FIG. 6 is a bottom view thereof;  
FIG. 7 is a rear view thereof;  
FIG. 8 is a perspective view of a second embodiment of a lamp showing the new design; and,  
FIG. 9 is a front view of a lamp, with the left, right, top, bottom and rear views identical to the views shown in FIGS. 3-7, respectively.  
The broken lines shown in the drawings illustrate portions of the lamp that form no part of the claimed design.

**1 Claim, 9 Drawing Sheets**



(56)

**References Cited**

U.S. PATENT DOCUMENTS

8,616,724 B2 \* 12/2013 Pickard et al. .... 362/241  
D698,477 S \* 1/2014 Korpi ..... D26/63  
2007/0242465 A1 \* 10/2007 Nittke ..... 362/341  
2012/0268930 A1 \* 10/2012 Lu ..... 362/235

OTHER PUBLICATIONS

J.W. Speaker Corporation. Worklights. Model 4400, [online], [retrieved on Nov. 12, 2013]. Retrieved from the Internet <URL: <http://www.jwspeaker.com/products/work-lights/#product=100118>>.

J.W. Speaker Corporation. Worklights. Model 4410 XL, [online], [retrieved on Nov. 12, 2013]. Retrieved from the Internet <URL:

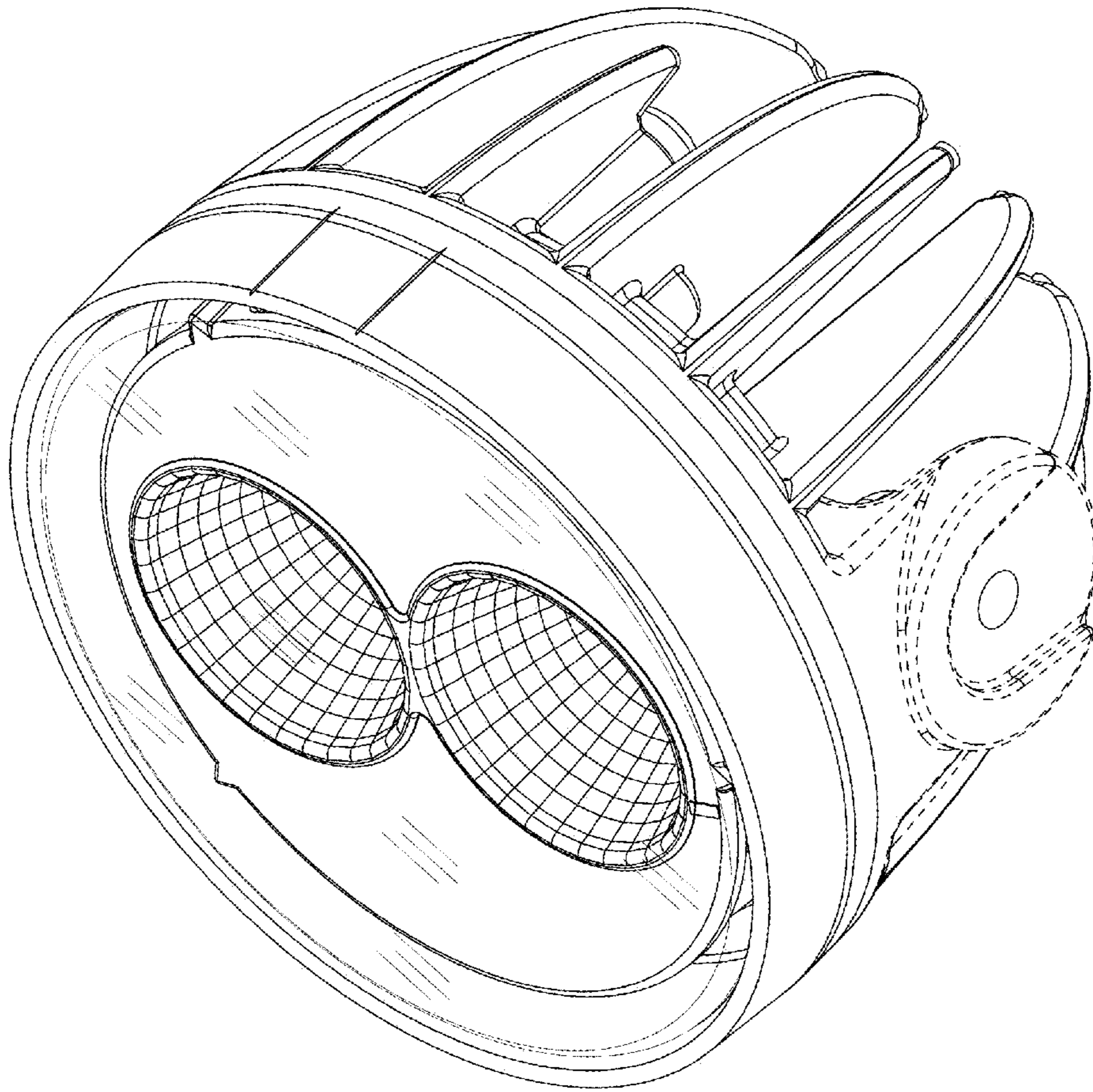
<http://www.jwspeaker.com/products/work-lights/#product=500275>>.

J.W. Speaker Corporation. Worklights. Model 4410, [online], [retrieved on Nov. 12, 2013]. Retrieved from the Internet <URL: <http://www.jwspeaker.com/products/work-lights/#product=500024>>.

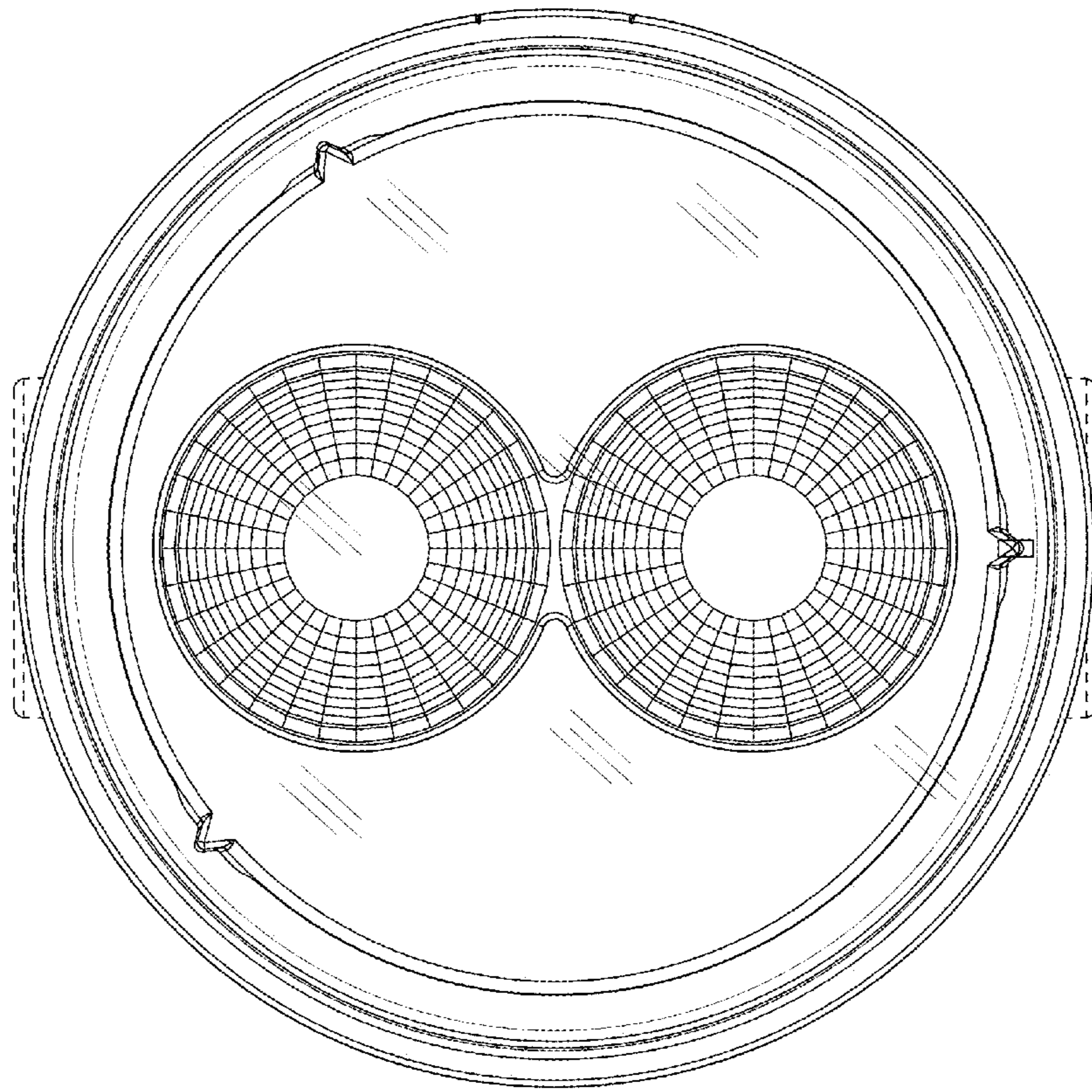
My Hella Lights. Micro 70 LED Off-Road Lamp Kit, [online], [retrieved on Nov. 12, 2013]. Retrieved from the Internet <URL:<http://www.myhellalights.com/index.php/default/auxiliary-lamps/led/micro-70-led/>>.

SuperBrightLEDs. 3.25" Round 12W Heavy Duty High Powered LED Work Light, [online], [retrieved on Nov. 12, 2013]. Retrieved from the Internet <URL:<http://www.superbrightleds.com/moreinfo/heavy-duty-work-lights/325-round-12w-heavy-duty-high-powered-led-work-light/1499/3260/>>.

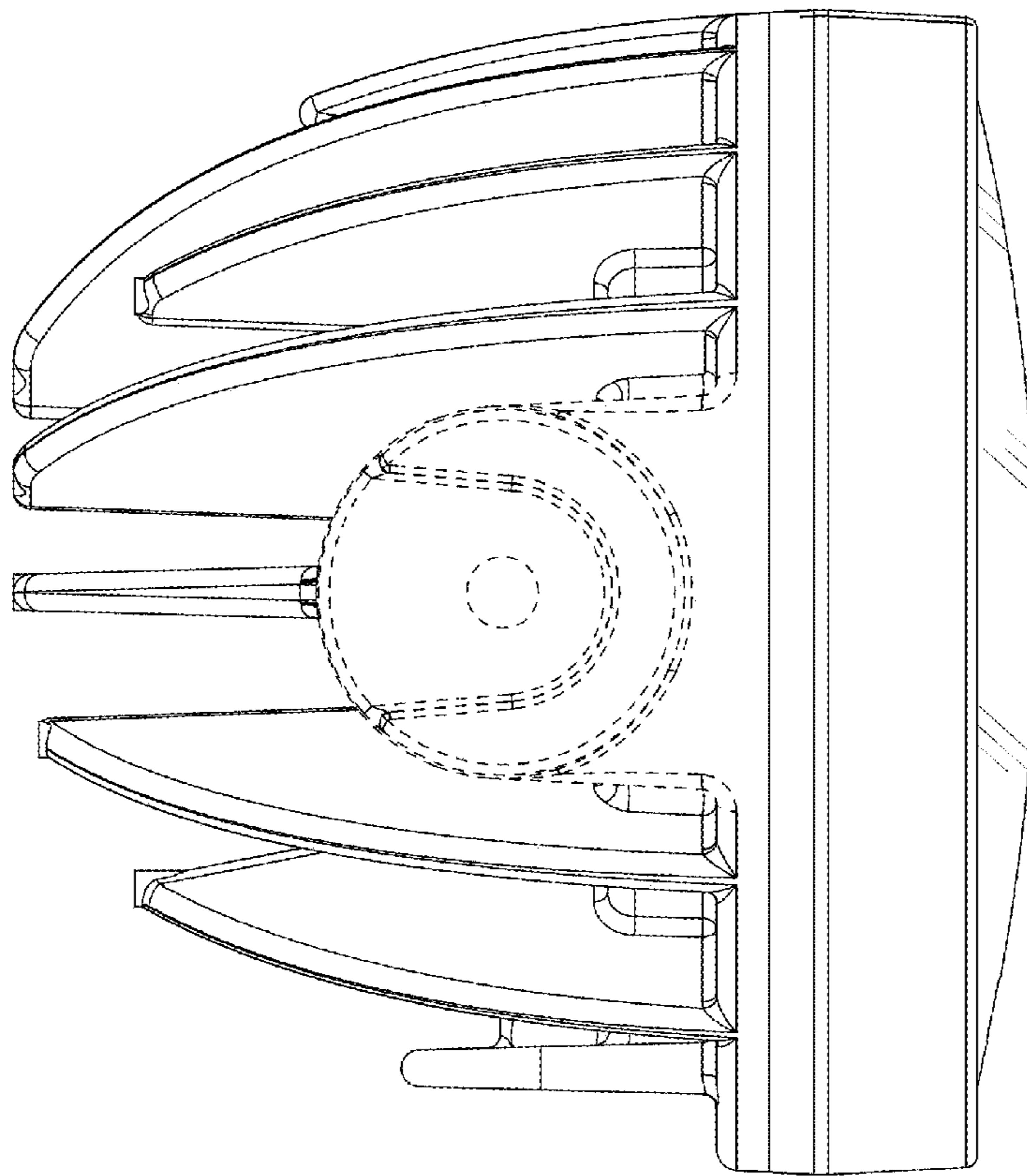
\* cited by examiner



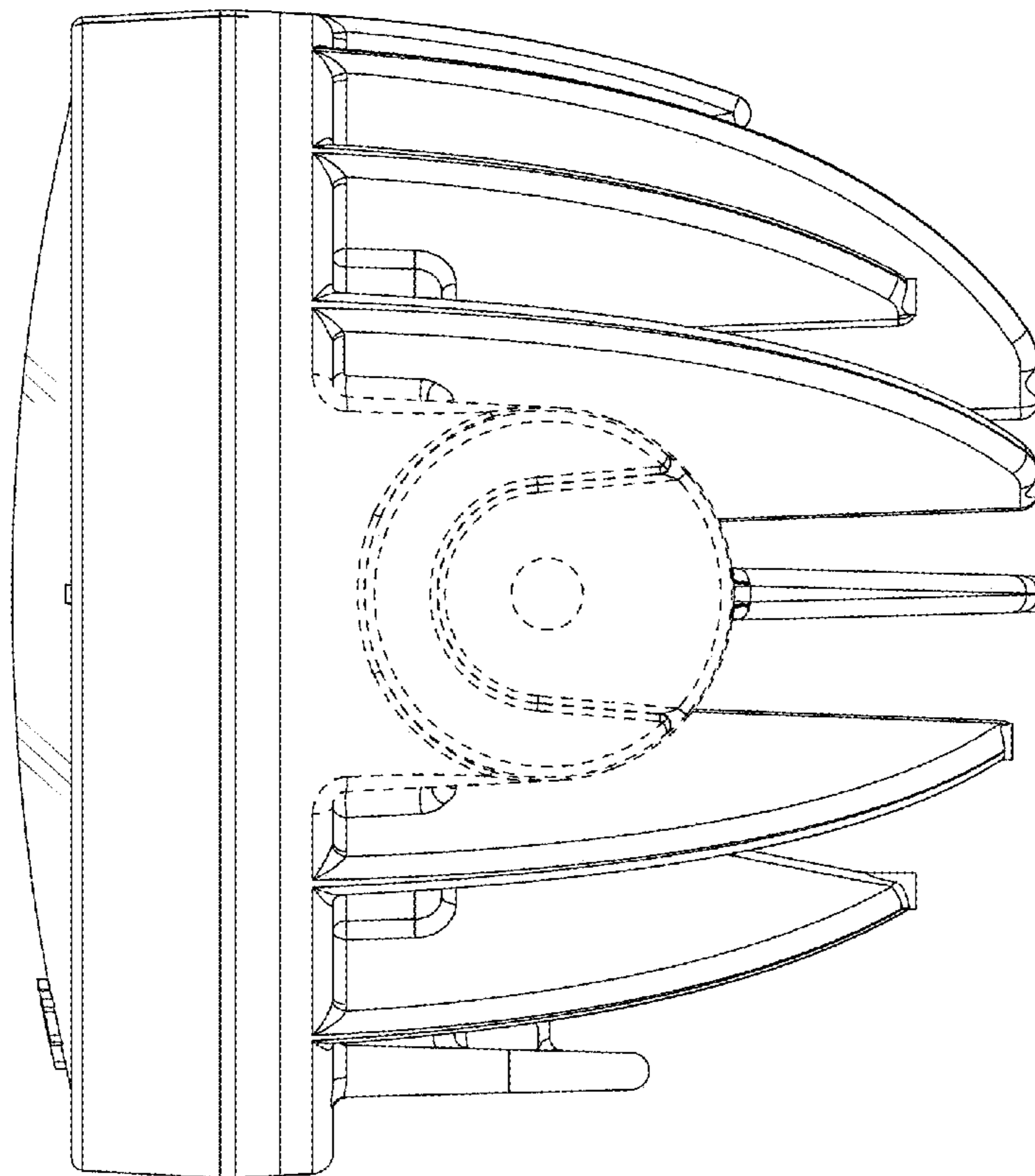
**Fig. 1**



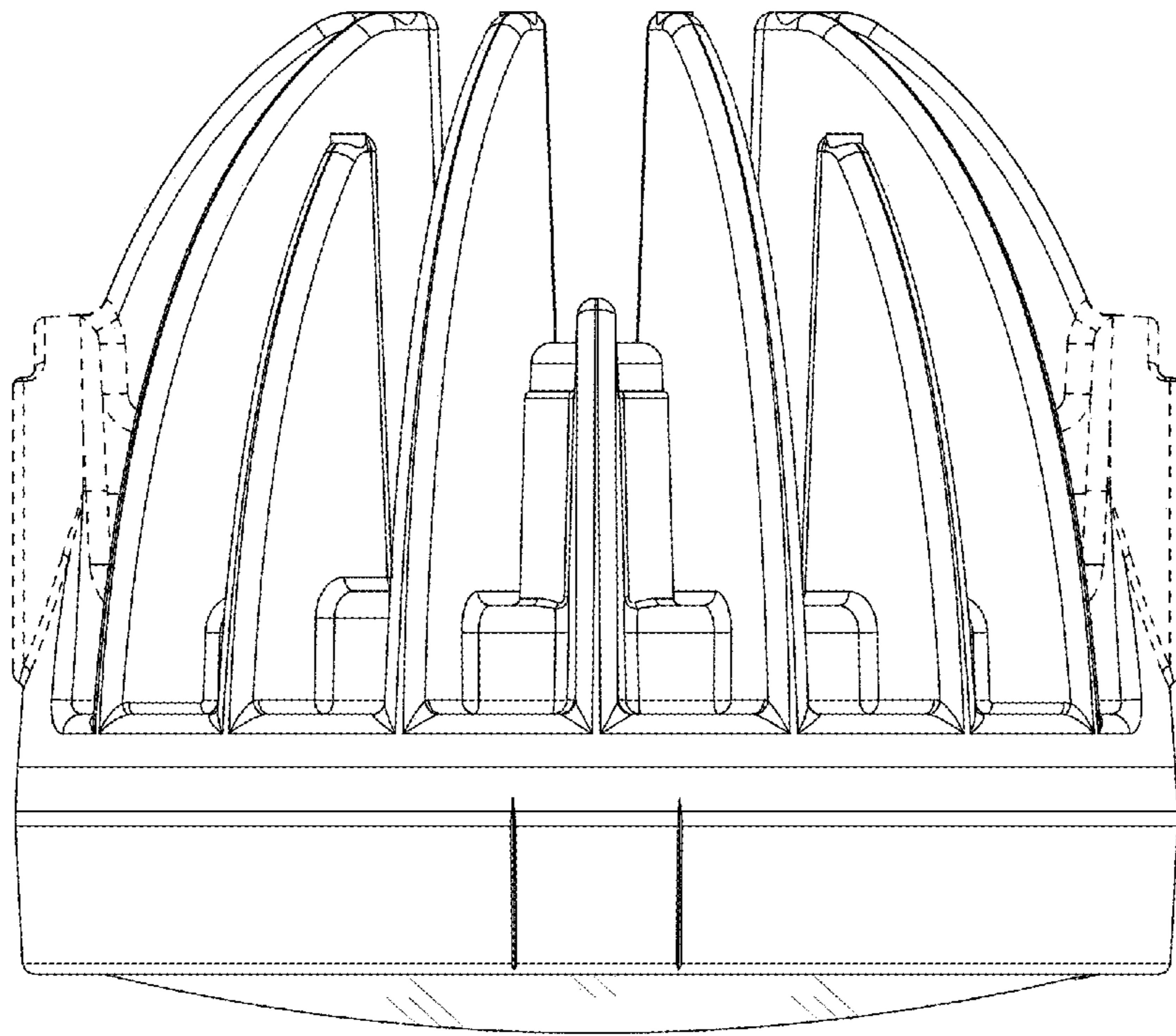
**Fig. 2**



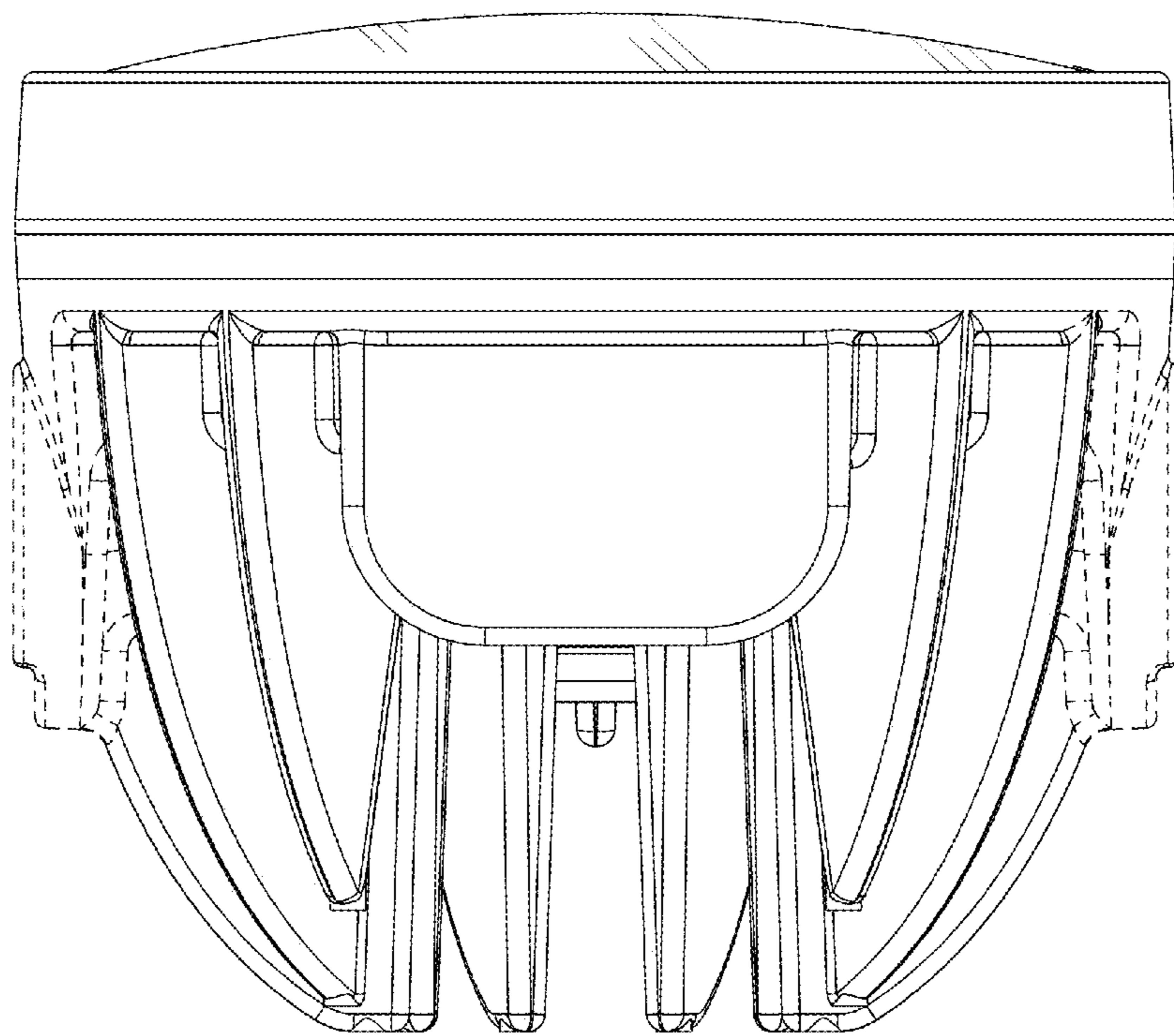
**Fig. 3**



**Fig. 4**

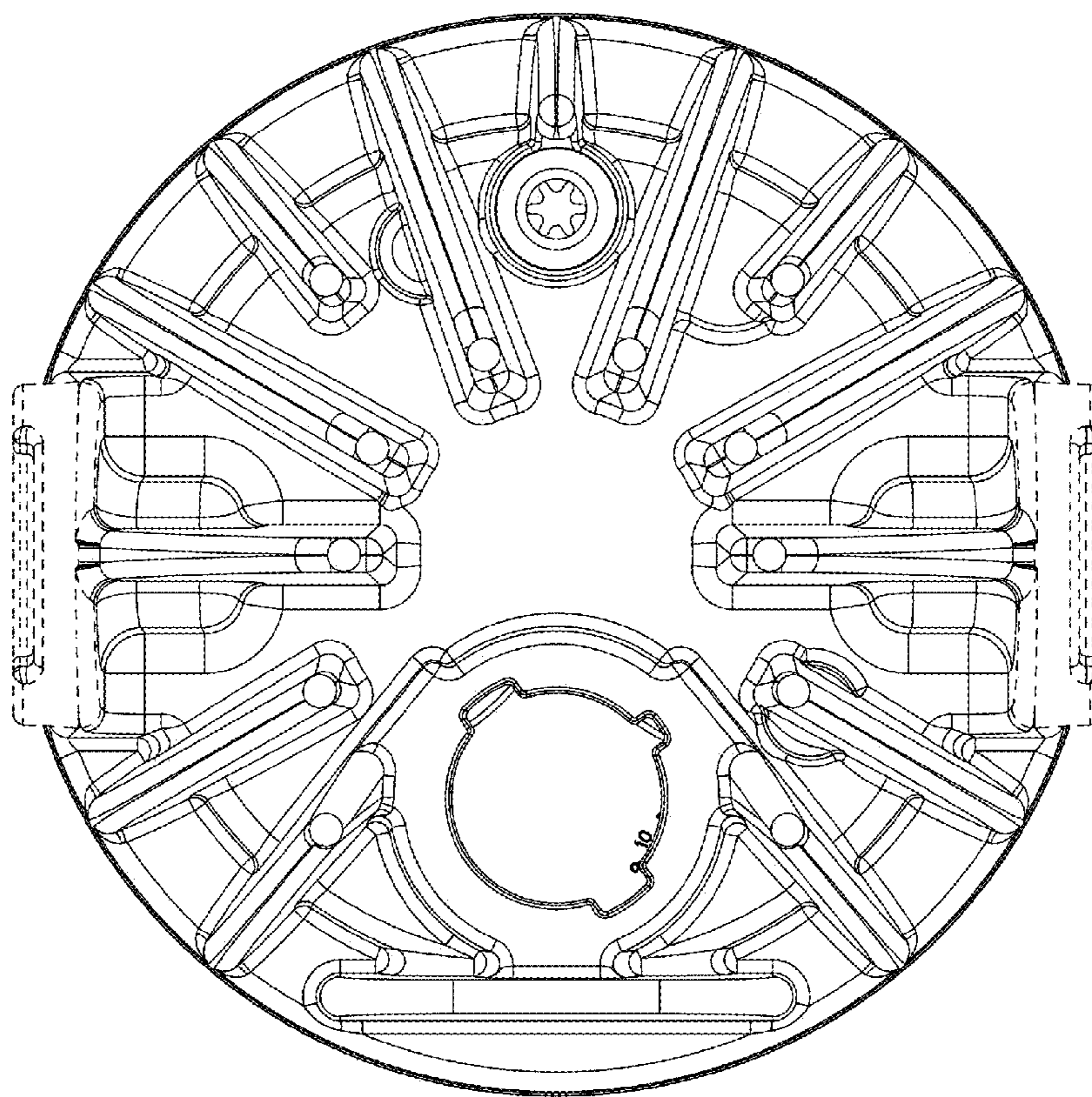


**Fig. 5**

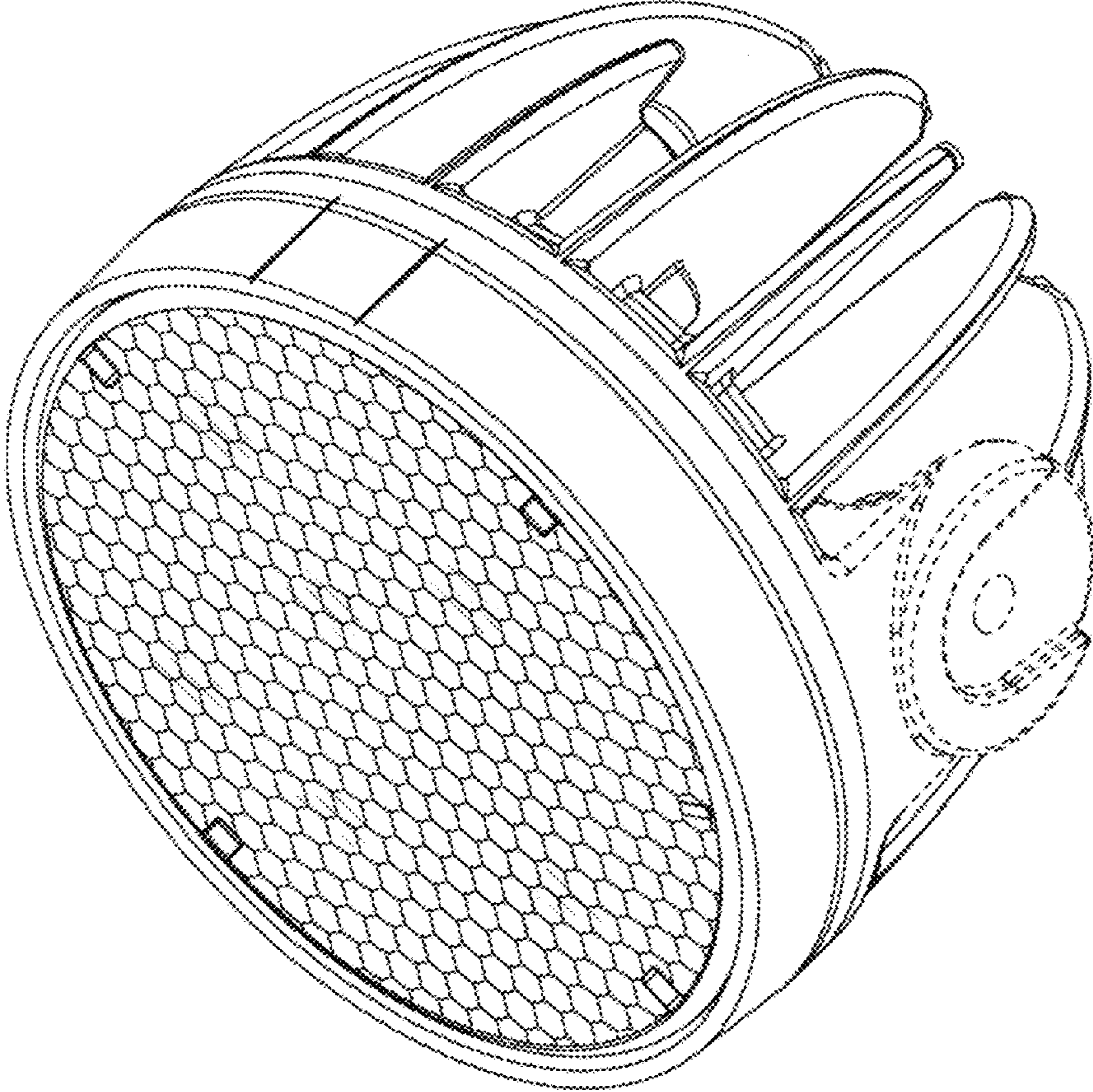


**Fig. 6**

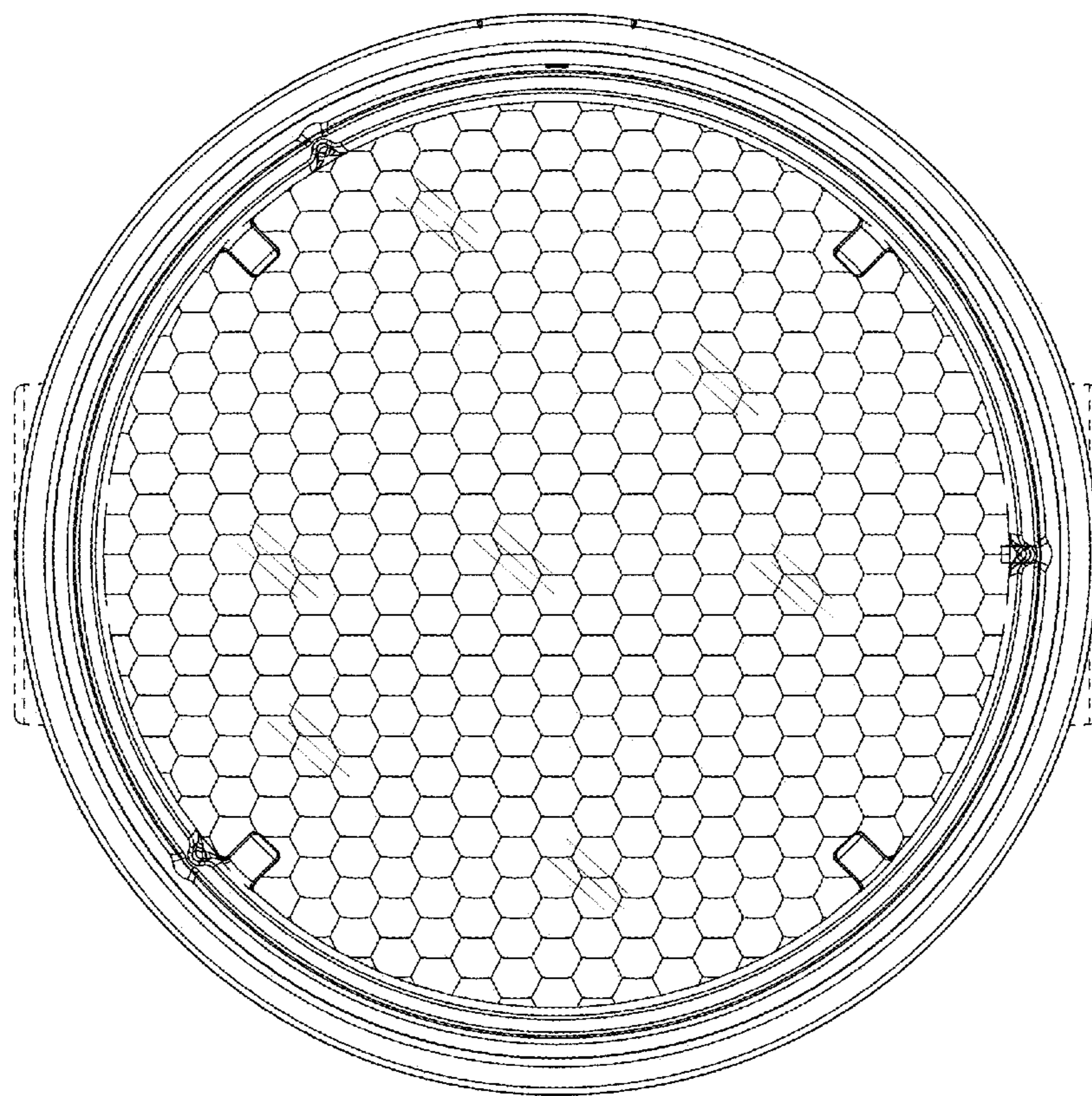




**Fig. 7**



**Fig. 8**



**Fig. 9**