



US00D714990S

(12) **United States Design Patent**
Yu

(10) **Patent No.:** **US D714,990 S**
(45) **Date of Patent:** **** Oct. 7, 2014**

(54) **OUTDOOR LED LIGHT**

(71) Applicant: **Chung Han Yu**, City of Industry, CA (US)

(72) Inventor: **Chung Han Yu**, City of Industry, CA (US)

(73) Assignee: **Chung Han Yu**, City of Industry, CA (US)

(**) Term: **14 Years**

(21) Appl. No.: **29/463,304**

(22) Filed: **Oct. 7, 2013**

(51) **LOC (10) Cl.** **26-03**

(52) **U.S. Cl.**
USPC **D26/85**

(58) **Field of Classification Search**
USPC D26/72, 85-87, 92, 118, 120; 362/147, 362/432, 641, 644, 653
See application file for complete search history.

(56) **References Cited**

U.S. PATENT DOCUMENTS

D248,184 S * 6/1978 Roberts D26/85
D421,816 S * 3/2000 Canton Gongora et al. ... D26/76

D569,028 S * 5/2008 Sandell D26/85
D578,242 S * 10/2008 Couillard et al. D26/85
D578,702 S * 10/2008 Campagna D26/85
D592,784 S * 5/2009 van den Dool D26/75
D626,680 S * 11/2010 Verelst D26/85
D647,662 S * 10/2011 Verelst et al. D26/85
D653,377 S * 1/2012 Guercio D26/85
D676,173 S * 2/2013 Akinrele et al. D26/71
D688,406 S * 8/2013 Goldy D26/85
D691,320 S * 10/2013 Guercio et al. D26/85
D698,072 S * 1/2014 Messisaen D26/85

* cited by examiner

Primary Examiner — Clare E Heflin

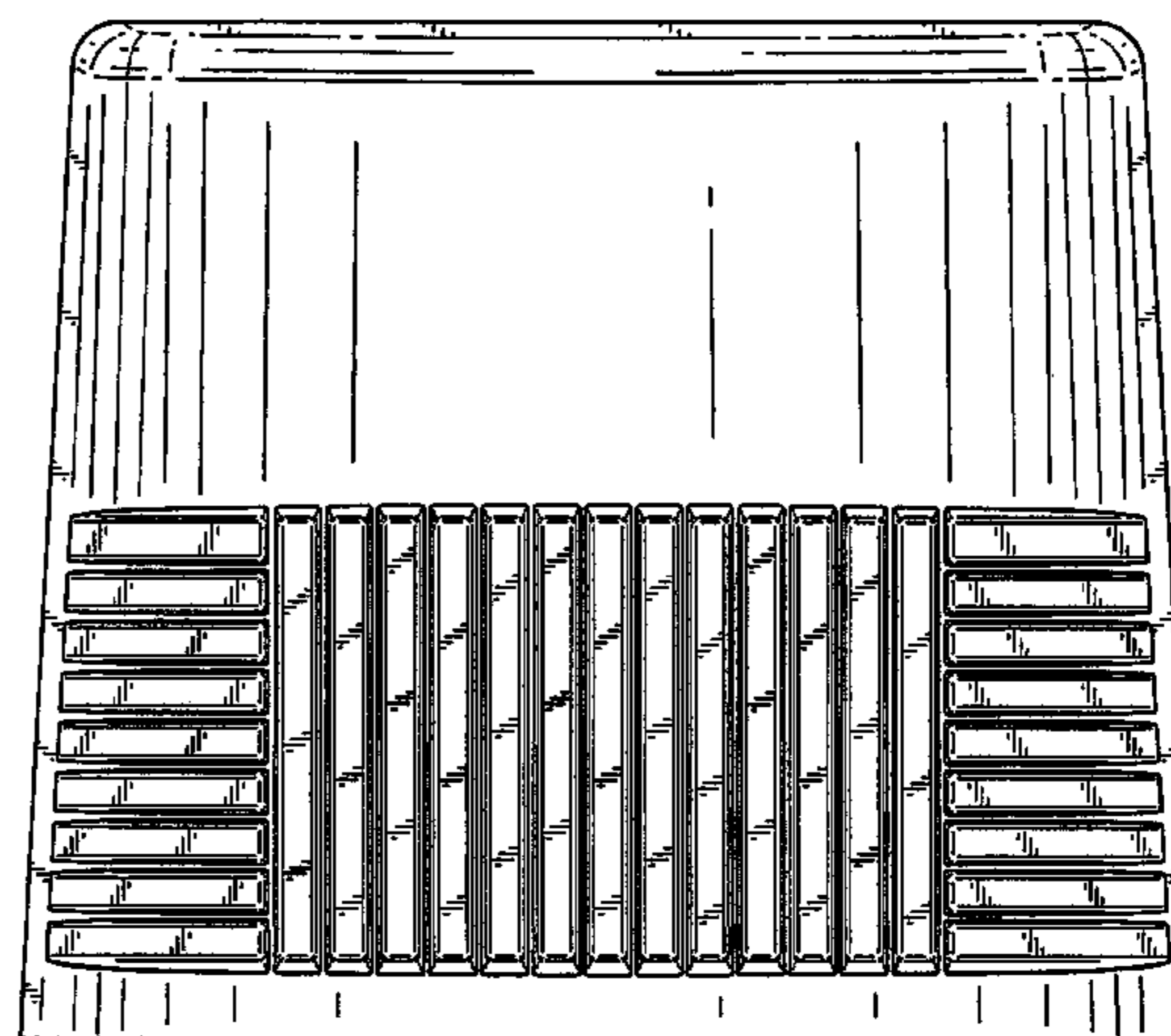
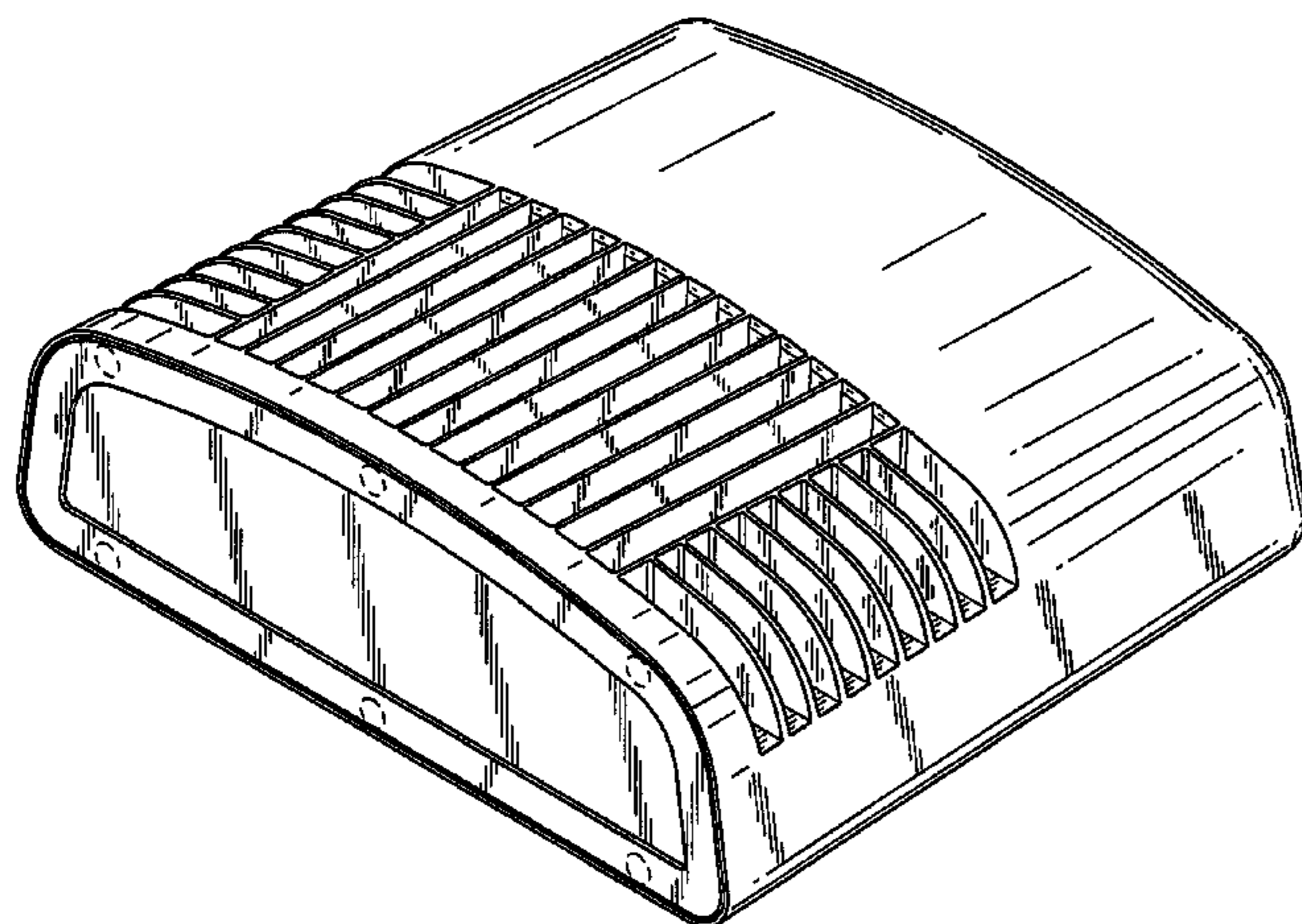
(57) **CLAIM**

The ornamental design for an outdoor LED light, as shown and described.

DESCRIPTION

FIG. 1 is a bottom and one side perspective view of the outdoor LED light showing the new design;
FIG. 2 is a bottom plan view thereof;
FIG. 3 is a top plan view thereof;
FIG. 4 is an opposite side elevation view thereof;
FIG. 5 is a front elevation view thereof; and,
FIG. 6 is a rear elevation view thereof.
The broken lines shown on the drawings depict portions of the light that form no part of the claimed design.

1 Claim, 4 Drawing Sheets



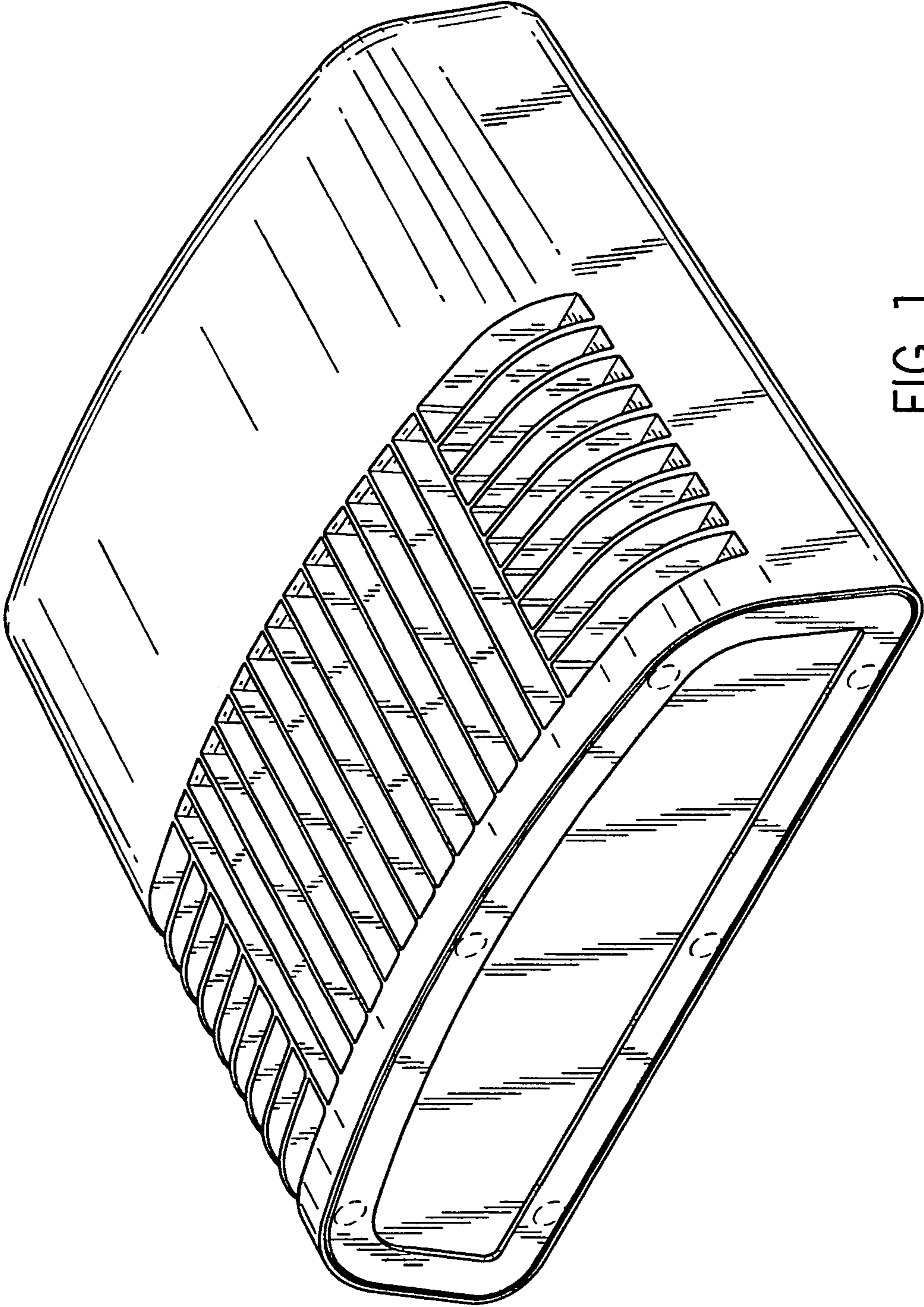


FIG. 1

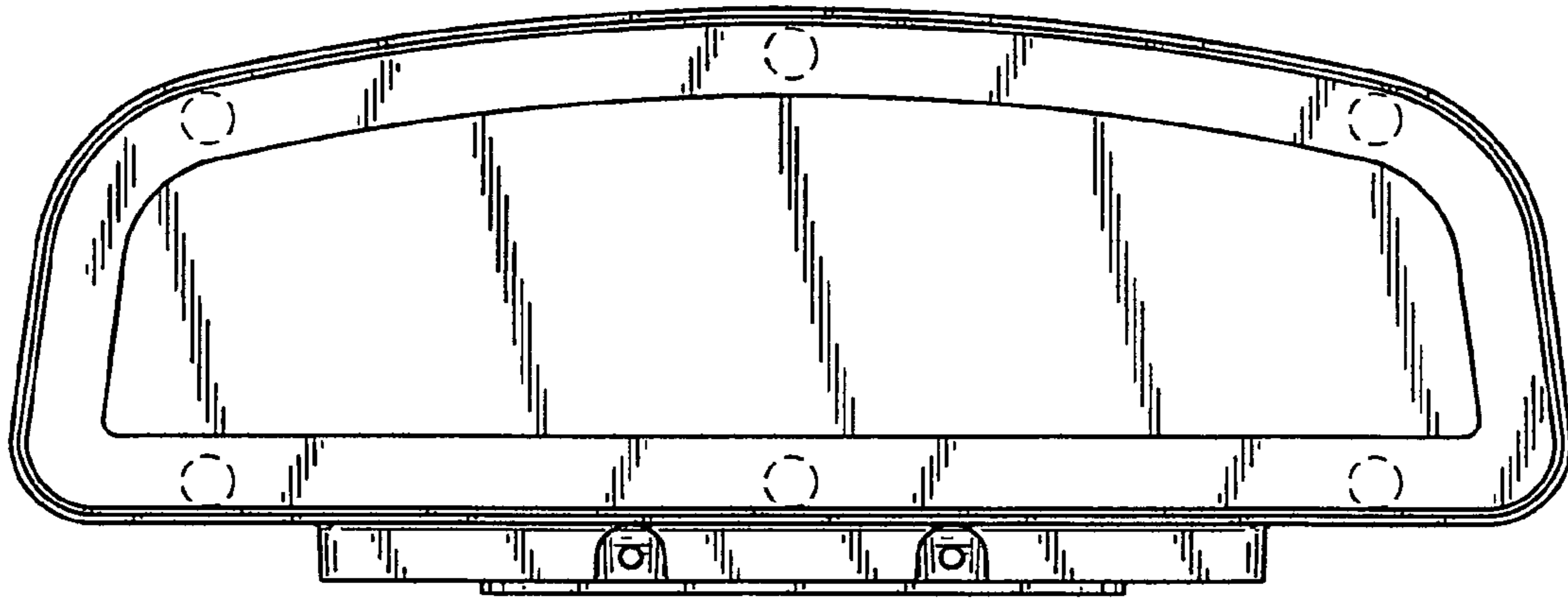


FIG. 2

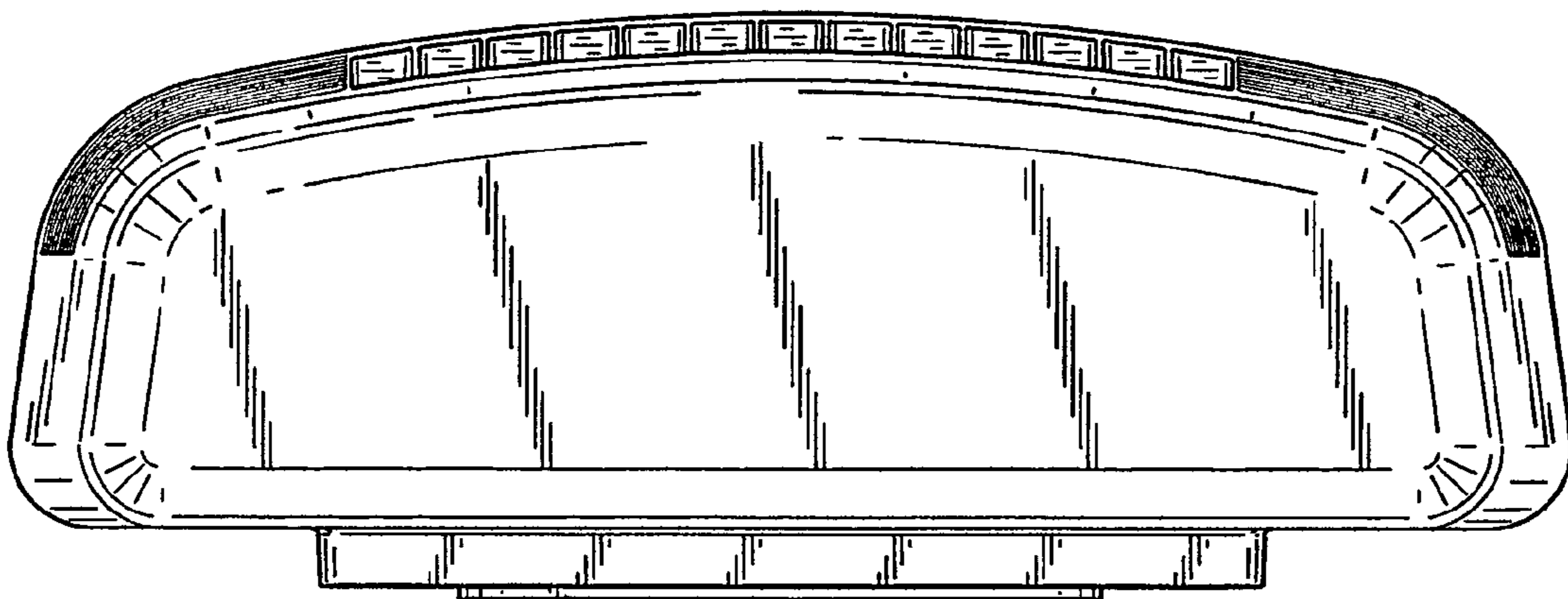


FIG. 3

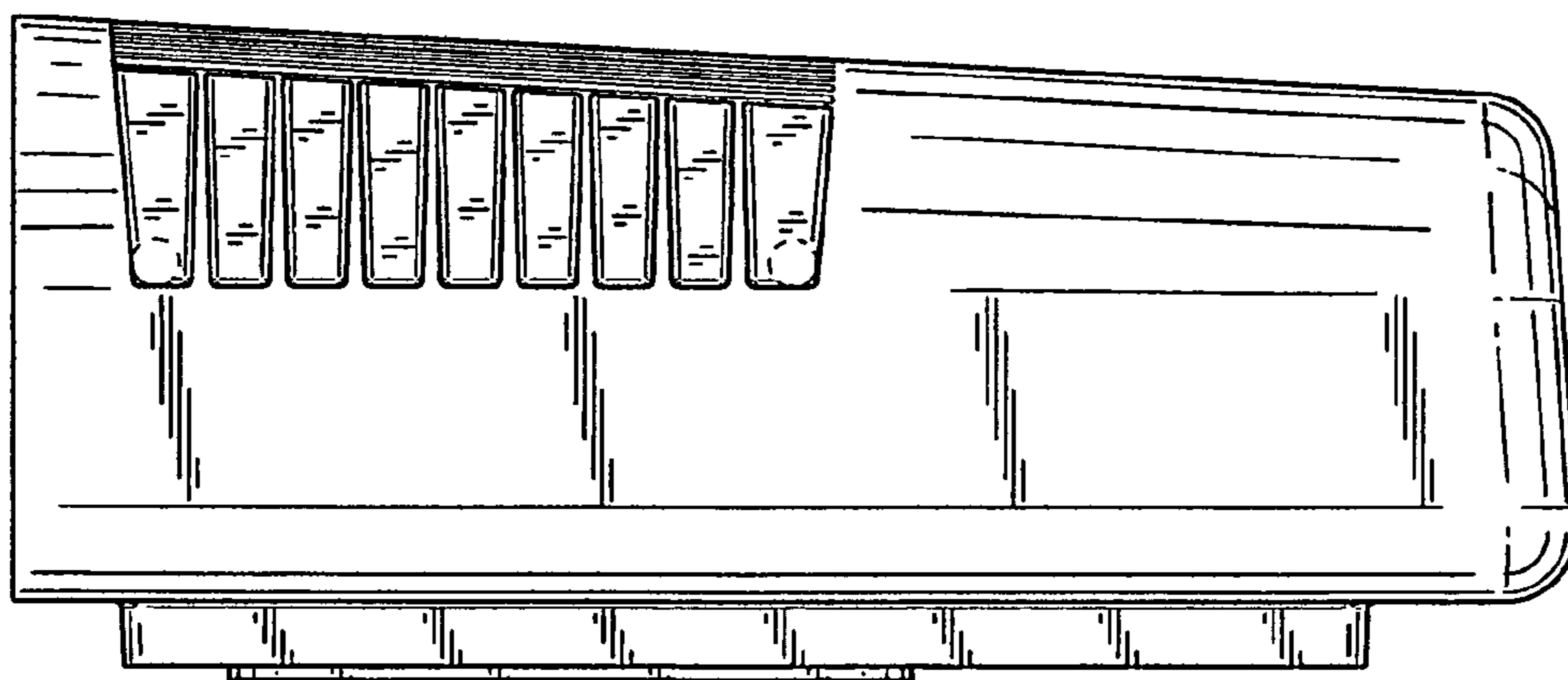


FIG. 4

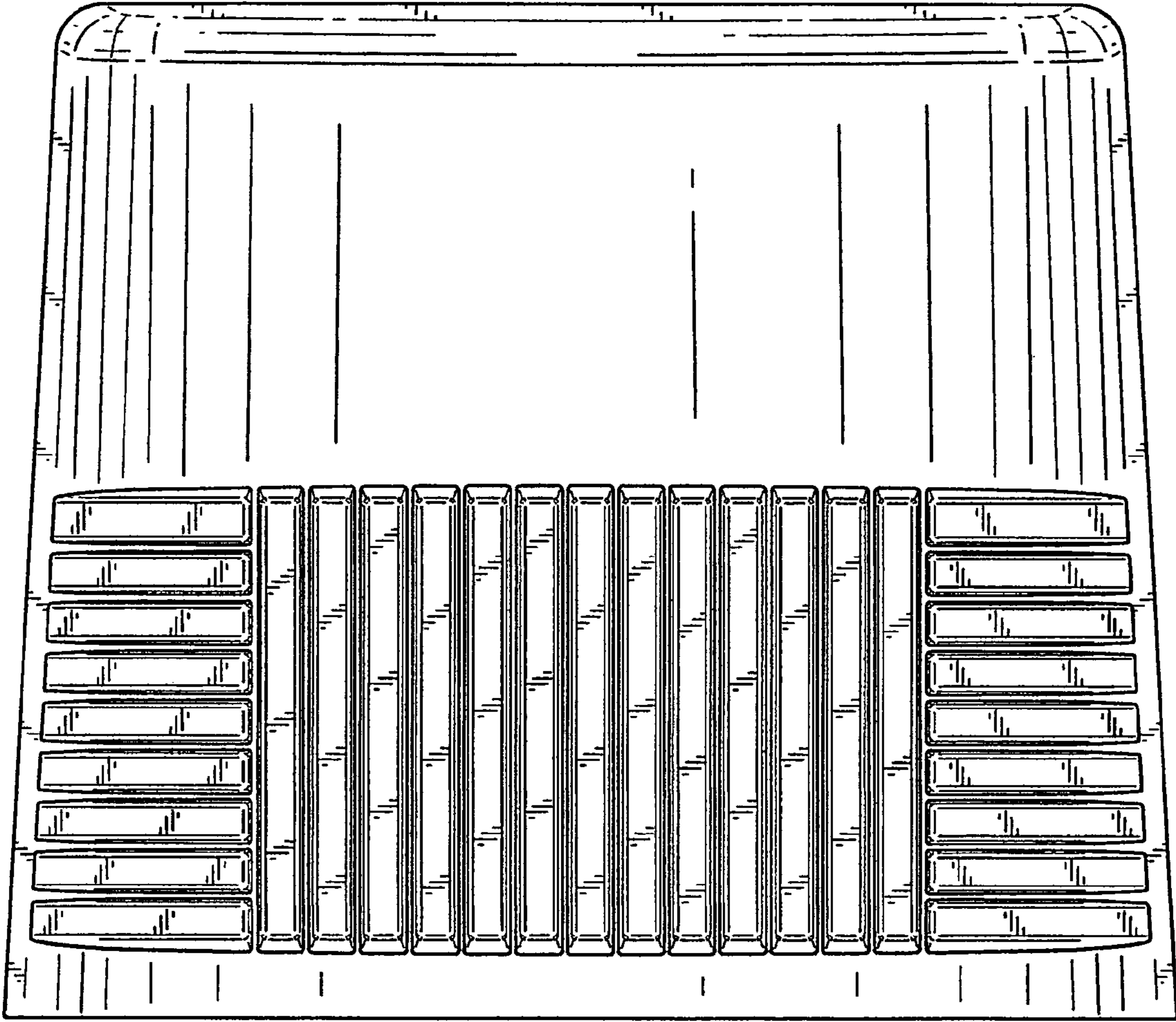


FIG. 5

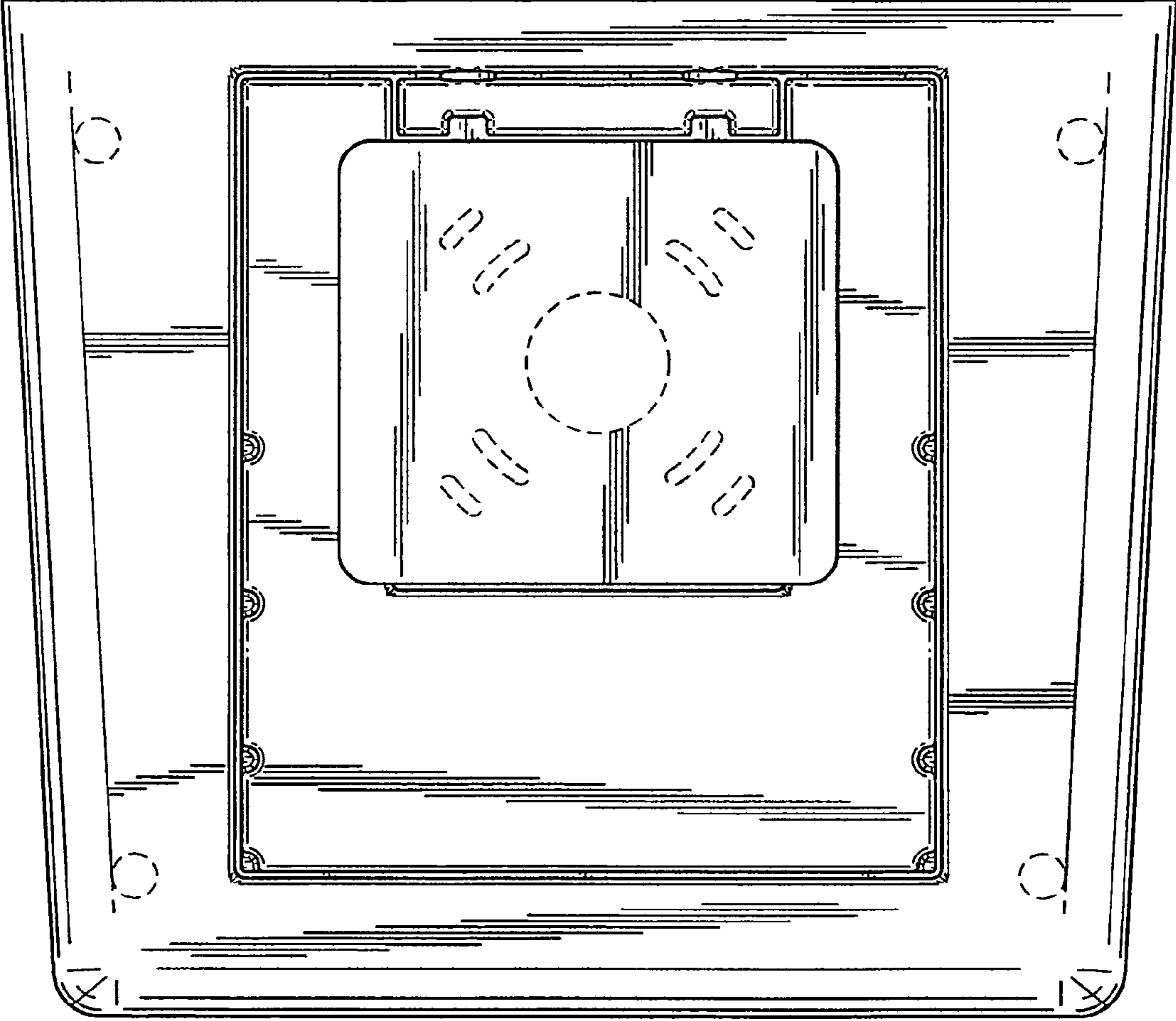


FIG. 6