



US00D714989S

(12) **United States Design Patent**
Rowlette, Jr. et al.

(10) **Patent No.:** **US D714,989 S**
(45) **Date of Patent:** **** Oct. 7, 2014**

(54) **LIGHTING MODULE COMPONENT**

FOREIGN PATENT DOCUMENTS

(71) Applicant: **Cree, Inc.**, Durham, NC (US)

CN 3557377 8/2006
EM 000380670-0001 8/2005

(72) Inventors: **John R. Rowlette, Jr.**, Raleigh, NC (US); **Jeremy Johnson**, Fuquay Varina, NC (US)

(Continued)

(73) Assignee: **Cree, Inc.**, Durham, NC (US)

OTHER PUBLICATIONS

(**) Term: **14 Years**

International Search Report for PCT/US2011/062990 mailed Apr. 12, 2012, 10 pages.

(21) Appl. No.: **29/469,362**

(Continued)

(22) Filed: **Oct. 9, 2013**

Primary Examiner — Angela J Lee

(74) *Attorney, Agent, or Firm* — Withrow & Terranova, P.L.L.C.

Related U.S. Application Data

(62) Division of application No. 29/404,382, filed on Oct. 20, 2011, now Pat. No. Des. 694,456.

(51) **LOC (10) Cl.** **26-05**

(52) **U.S. Cl.**
USPC **D26/74**

(58) **Field of Classification Search**
CPC F21S 8/02; F21S 8/026; F21V 7/06;
F21V 21/044; F21V 21/047; F21V 29/2212;
F21V 29/2225; F21V 29/2256; F21V 29/225;
F21V 29/2268; F21V 29/2262; F21Y
2111/002

USPC D26/74, 24, 72, 75, 76, 78, 79, 81, 82,
D26/88, 89, 91, 113, 118, 119, 120, 138,
D26/141, 142; 362/145, 146, 147, 148, 150,
362/151, 153, 153.1, 217.01, 223, 217.05,
362/217.07, 217.06, 217.15, 249.02,
362/296.07, 296.08, 311.02, 373, 800

See application file for complete search history.

(56) **References Cited**

U.S. PATENT DOCUMENTS

D109,740 S 5/1938 Stewart
D134,595 S 11/1941 van Es

(Continued)

(57) **CLAIM**

The ornamental design for lighting module component, as shown and described.

DESCRIPTION

FIG. 1 is a front plan view of a lighting module component according to the new design, wherein the lighting module component is a light source.

FIG. 2 is a first front perspective view of the lighting module component of FIG. 1.

FIG. 3 is a second front perspective view of the lighting module component of FIG. 1.

FIG. 4 is a first rear perspective view of the lighting module component of FIG. 1.

FIG. 5 is a second rear perspective view of the lighting module component of FIG. 1.

FIG. 6 is a rear plan view of the lighting module component of FIG. 1.

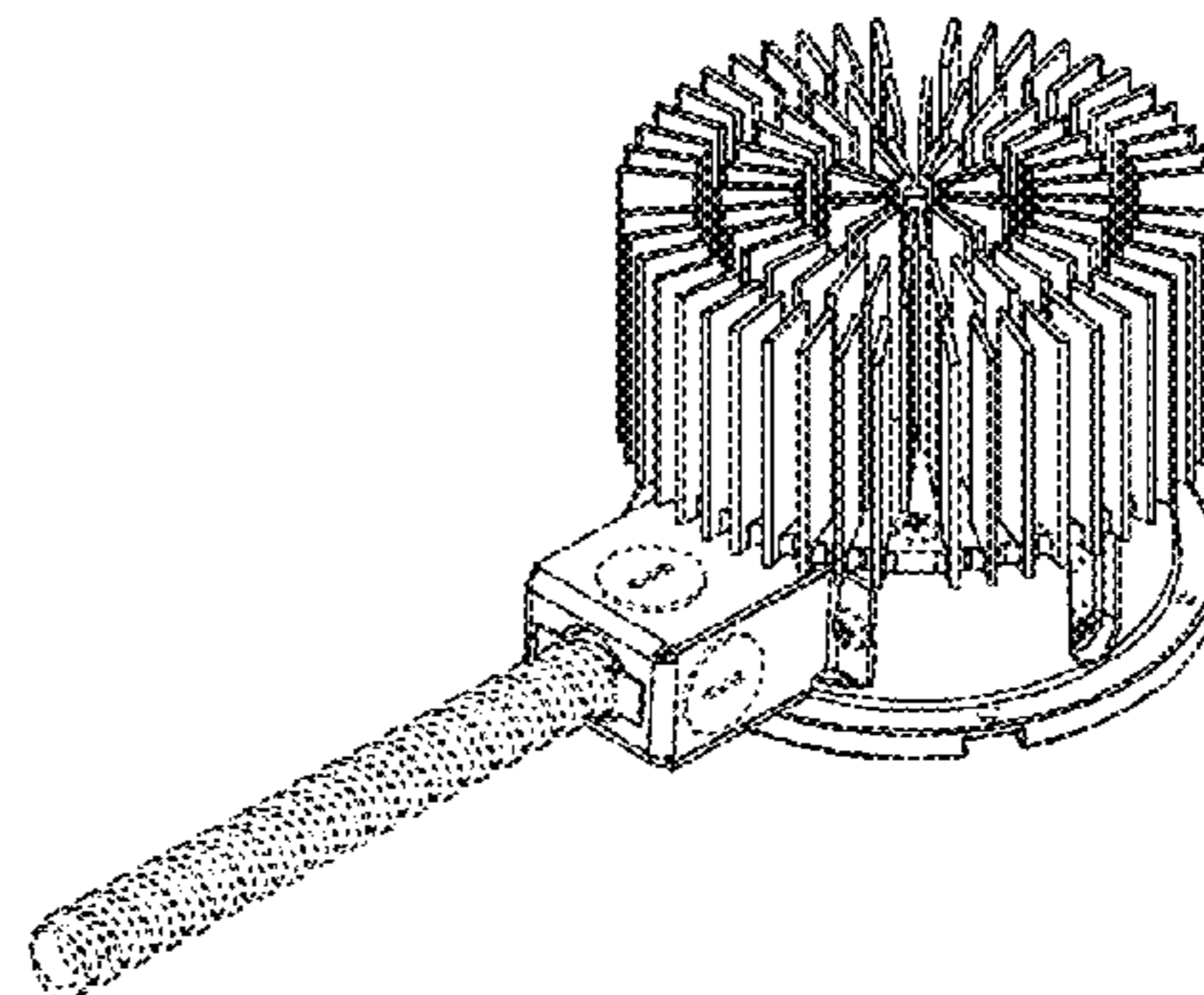
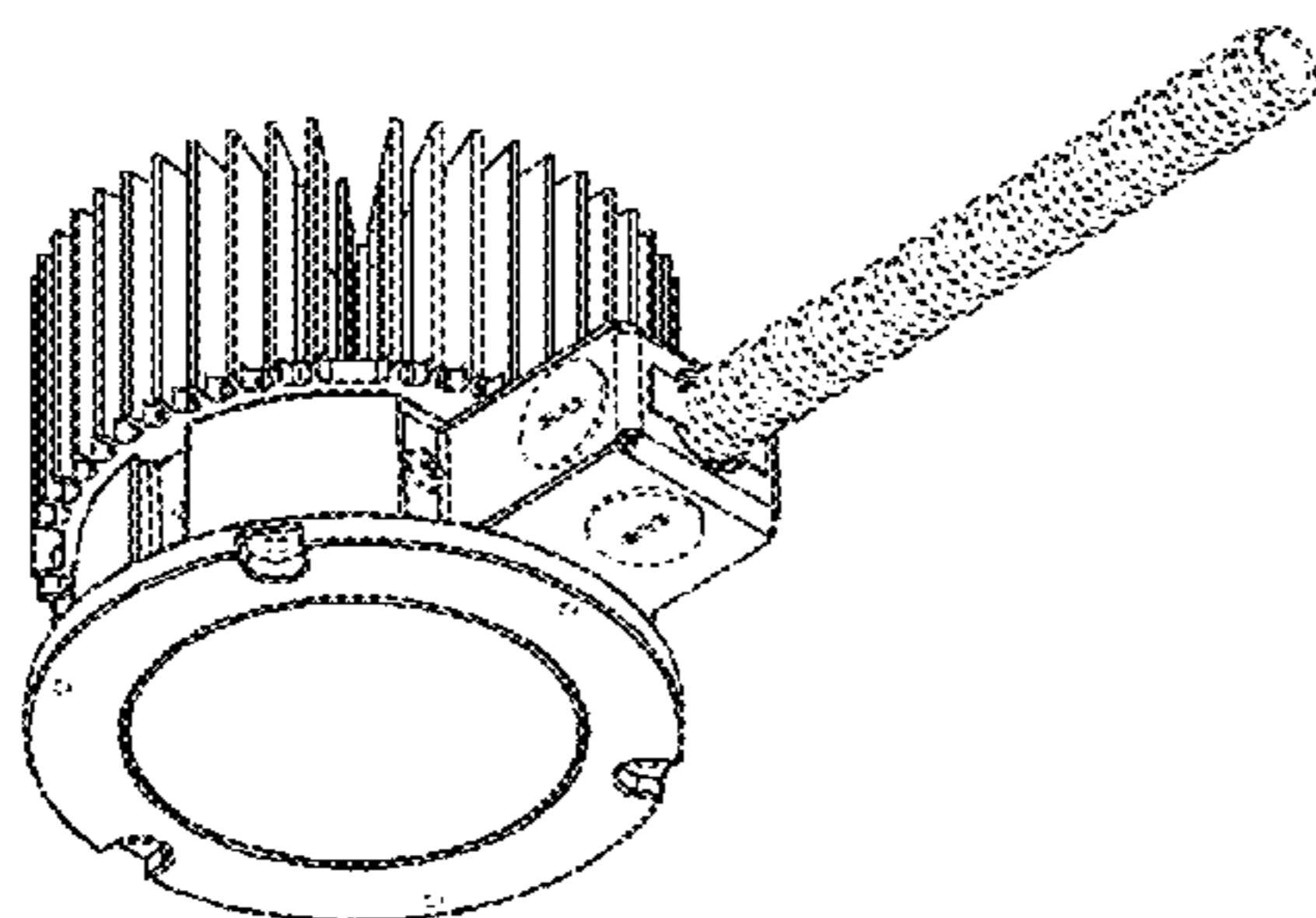
FIG. 7 is a first side plan view of the lighting module component of FIG. 1.

FIG. 8 is a second side plan view of the lighting module component of FIG. 1.

FIG. 9 is a third side plan view of the lighting module component of FIG. 1; and,

FIG. 10 is a fourth side plan view of the lighting module component of FIG. 1. The broken lines shown in the drawings depict portions of the lighting module component that form no part of the claimed design.

1 Claim, 3 Drawing Sheets



(56)

References Cited

U.S. PATENT DOCUMENTS

D158,821 S 5/1950 Walter
 D199,141 S 9/1964 Curry
 D231,679 S 5/1974 Keller
 D231,680 S 5/1974 Keller
 D238,185 S 12/1975 Wellward et al.
 5,034,869 A 7/1991 Choi
 D325,999 S 5/1992 Sonneman
 D326,537 S * 5/1992 Gattari D26/74
 D341,442 S 11/1993 Shapiro
 5,477,441 A 12/1995 Budnovitch et al.
 D375,605 S 11/1996 Balish, Jr.
 D383,564 S 9/1997 Lecluze
 5,664,869 A 9/1997 Bitton
 D386,805 S 11/1997 Bonnette et al.
 D392,764 S 3/1998 Balish, Jr.
 D397,472 S 8/1998 Lecluze
 D399,021 S 9/1998 Lam
 5,800,038 A 9/1998 McCool
 D399,590 S 10/1998 Lecluze
 D400,274 S 10/1998 Ziaylek, Jr. et al.
 D411,640 S 6/1999 Lueken et al.
 D413,997 S 9/1999 Jandrisits et al.
 D421,316 S 2/2000 Fiorato
 D433,179 S 10/2000 Johnson
 6,152,582 A 11/2000 Klaus
 6,193,392 B1 2/2001 Lodhie
 D457,677 S 5/2002 Landefeld et al.
 D459,504 S 6/2002 Chen
 D468,044 S 12/2002 Lam
 D468,477 S 1/2003 Landefeld et al.
 D473,966 S 4/2003 Lecluze
 D474,298 S 5/2003 Lecluze
 D477,607 S 7/2003 Nonomura
 6,644,834 B2 11/2003 Christen
 D488,251 S 4/2004 Benghozi
 D488,583 S 4/2004 Benghozi
 D506,280 S 6/2005 Chen
 6,913,371 B2 7/2005 Ping
 D508,141 S 8/2005 Rashidi
 D508,750 S 8/2005 Rashidi
 D509,017 S 8/2005 Rashidi
 D509,615 S 9/2005 Rashidi
 D544,979 S 6/2007 Hartmann, Jr. et al.
 D547,484 S 7/2007 Guercio
 D548,390 S 8/2007 Lecluze
 D549,384 S 8/2007 Grawunder
 D558,377 S 12/2007 Rashidi
 D558,378 S 12/2007 Rashidi
 D560,204 S 1/2008 Bhavnani
 D561,374 S 2/2008 Hartmann, Jr. et al.
 D570,515 S 6/2008 Flaherty et al.
 D574,104 S 7/2008 Sanoner
 D588,296 S 3/2009 Sabernig
 D588,735 S 3/2009 Woodard
 D591,894 S * 5/2009 Flank D26/74
 D596,334 S 7/2009 Sabernig
 7,614,769 B2 11/2009 Sell
 D606,696 S 12/2009 Chen et al.
 D607,140 S 12/2009 Farris et al.
 D608,044 S 1/2010 Pickett
 D609,840 S 2/2010 Tang
 D610,292 S 2/2010 Yoshinobu et al.
 D614,337 S 4/2010 Robinson et al.
 D617,934 S 6/2010 Rashidi
 D622,434 S 8/2010 Ward et al.
 7,771,086 B2 8/2010 Goverde
 7,789,535 B2 9/2010 Wang et al.
 D625,876 S * 10/2010 Chen et al. D26/74
 D625,879 S 10/2010 Sabernig

D626,676 S 11/2010 Johnson
 D628,733 S 12/2010 Cobb, III et al.
 7,862,214 B2 1/2011 Trott et al.
 D632,822 S 2/2011 Bitton
 D646,429 S 10/2011 Sabernig
 8,104,928 B1 1/2012 Horn
 D655,855 S 3/2012 Sabernig
 D656,263 S * 3/2012 Ogawa et al. D26/74
 8,240,871 B2 8/2012 Chou
 D671,259 S 11/2012 Chen
 D671,668 S 11/2012 Rowlette, Jr. et al.
 D672,899 S * 12/2012 Van De Ven et al. D26/74
 D674,127 S 1/2013 Rowlette, Jr. et al.
 D694,456 S 11/2013 Rowlette, Jr. et al.
 D695,941 S * 12/2013 Rashidi D26/74
 2004/0050538 A1 3/2004 Sunder et al.
 2005/0111234 A1 5/2005 Martin et al.
 2007/0035951 A1 2/2007 Tseng
 2007/0041220 A1 2/2007 Lynch
 2008/0074889 A1 3/2008 Gloisten et al.
 2008/0158887 A1 7/2008 Zhu et al.
 2009/0219727 A1 9/2009 Weaver
 2010/0061076 A1 3/2010 Mandy et al.
 2010/0110699 A1 5/2010 Chou
 2010/0164348 A1 7/2010 Huang et al.
 2010/0226139 A1 9/2010 Lynch et al.
 2010/0296272 A1 11/2010 Roos et al.
 2011/0002124 A1 1/2011 Chang et al.
 2011/0026261 A1 2/2011 Kuan
 2012/0044704 A1 2/2012 Wilson et al.
 2012/0140490 A1 6/2012 Rowlette, Jr. et al.
 2012/0230028 A1 * 9/2012 Foo 362/235
 2013/0051012 A1 * 2/2013 Oehle et al. 362/235
 2013/0141918 A1 * 6/2013 Harbers et al. 362/294
 2014/0003061 A1 * 1/2014 Chen et al. 362/311.02

FOREIGN PATENT DOCUMENTS

FR 2909160 A1 5/2008
 WO 2008036596 A1 3/2008
 WO 2008061082 A1 5/2008
 WO 2008067447 A1 6/2008
 WO 2009111905 A1 9/2009
 WO 2011037878 A1 3/2011

OTHER PUBLICATIONS

International Search Report for PCT/US2011/062992 mailed Apr. 2, 2012, 12 pages.
 International Search Report for PCT/US2012/067754 mailed Feb. 20, 2013, 11 pages.
 Quayle Action for U.S. Appl. No. 29/379,154, mailed May 30, 2012, 6 pages.
 Non-final Office Action for U.S. Appl. No. 13/042,378, mailed Sep. 4, 2012, 19 pages.
 Final Office Action for U.S. Appl. No. 13/042,378, mailed Feb. 4, 2013, 20 pages.
 Restriction Requirement for U.S. Appl. No. 29/408,232, mailed Jan. 16, 2013, 5 pages.
 Examiner's Answer to Appeal Brief for U.S. Appl. No. 13/042,378, mailed Aug. 6, 2013, 20 pages.
 Notice of Allowance for U.S. Appl. No. 29/456,927, mailed Sep. 18, 2013, 8 pages.
 Non-Final Office Action for U.S. Appl. No. 13/042,388, mailed Oct. 18, 2013, 12 pages.
 Notice of Allowance for U.S. Appl. No. 29/408,234, mailed Mar. 14, 2014, 5 pages.
 Quayle Action for U.S. Appl. No. 13/042,388, mailed May 27, 2014, 4 pages.

* cited by examiner

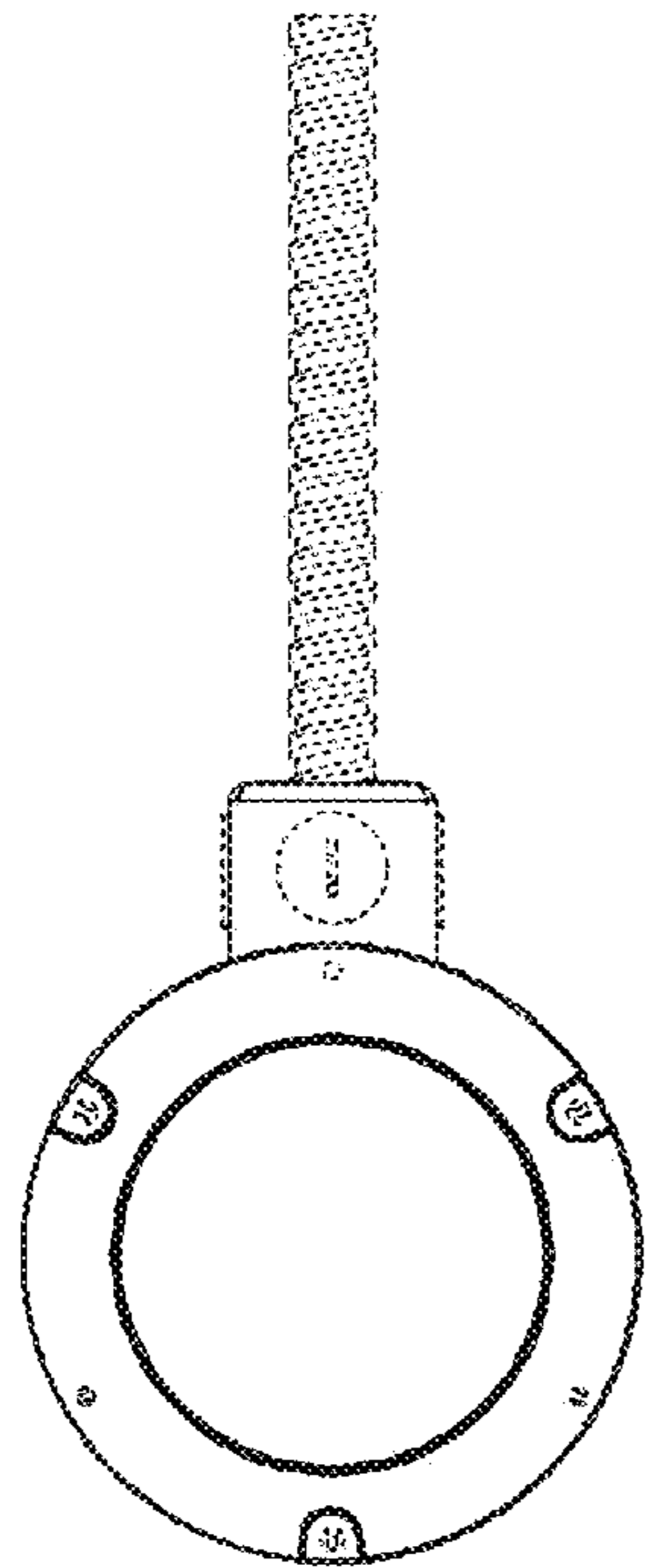


FIG. 1

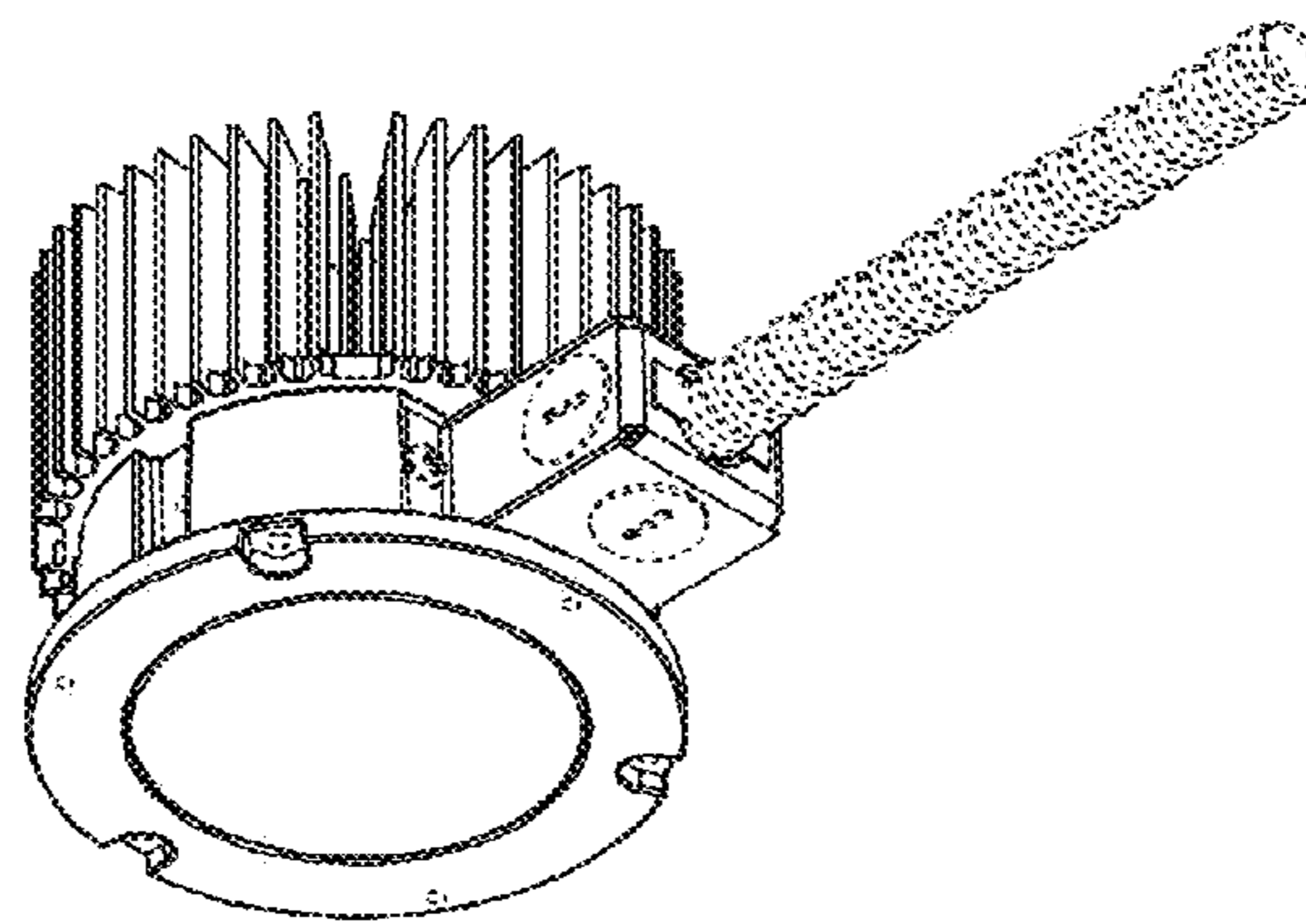


FIG. 2

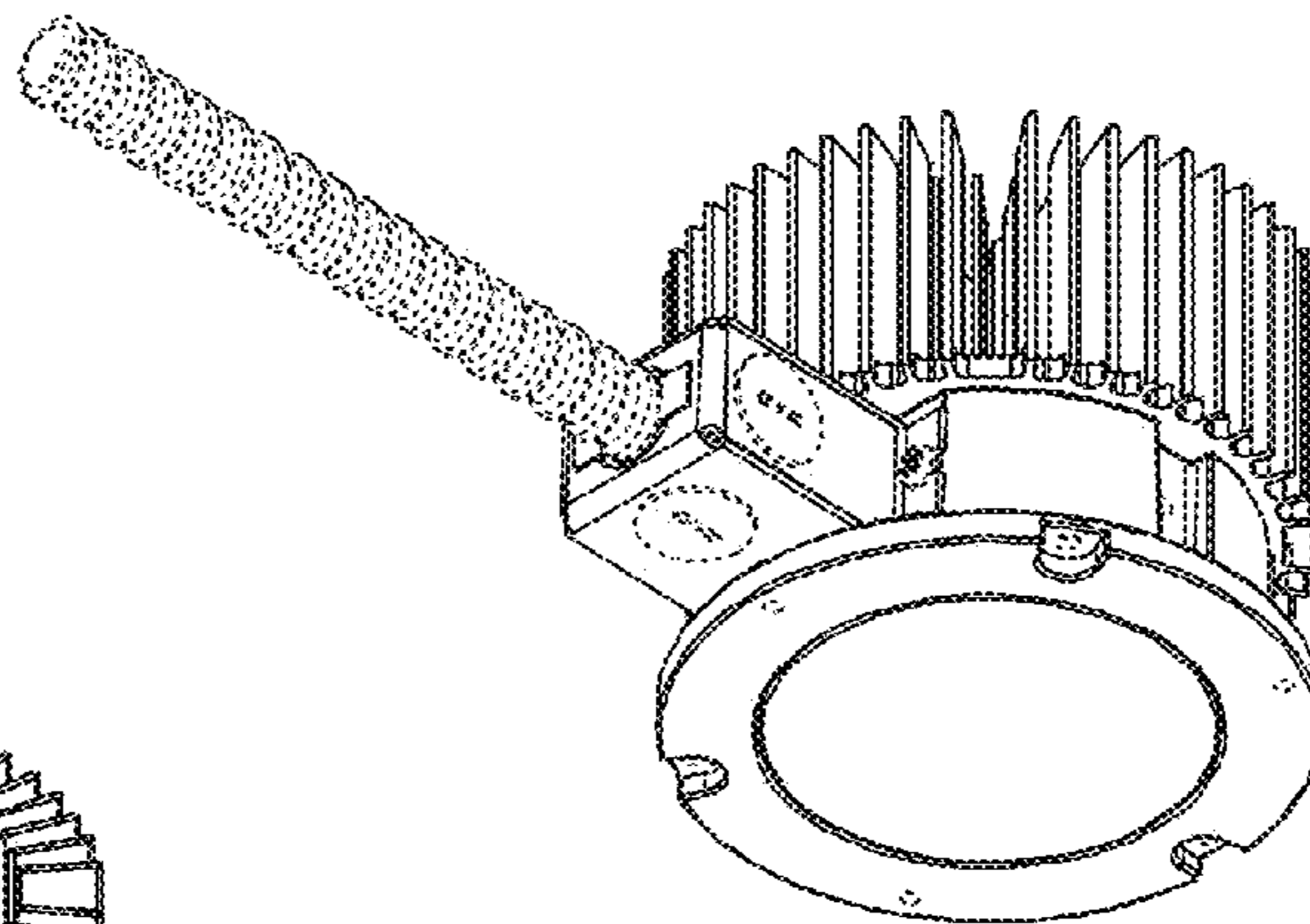


FIG. 3

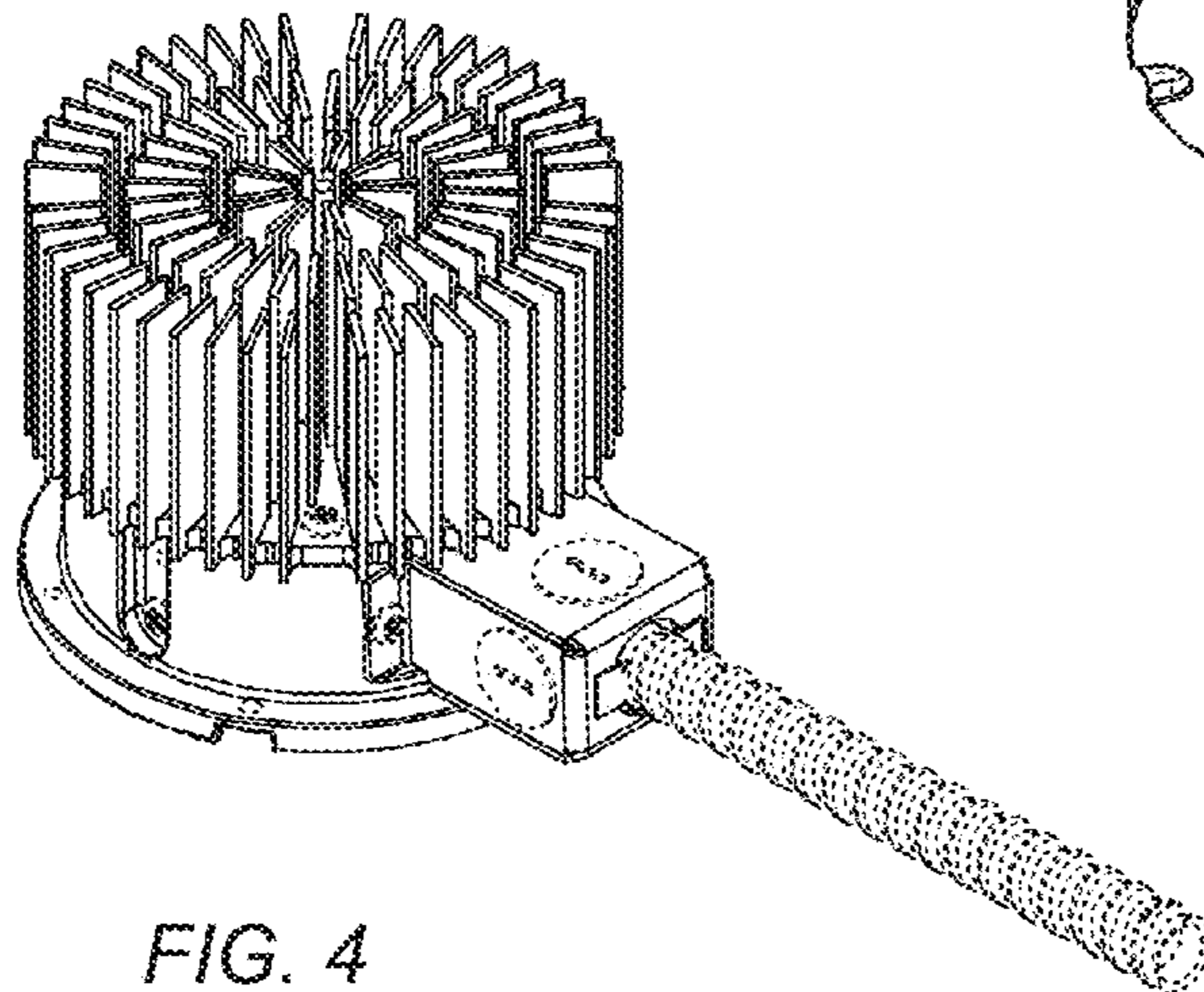


FIG. 4

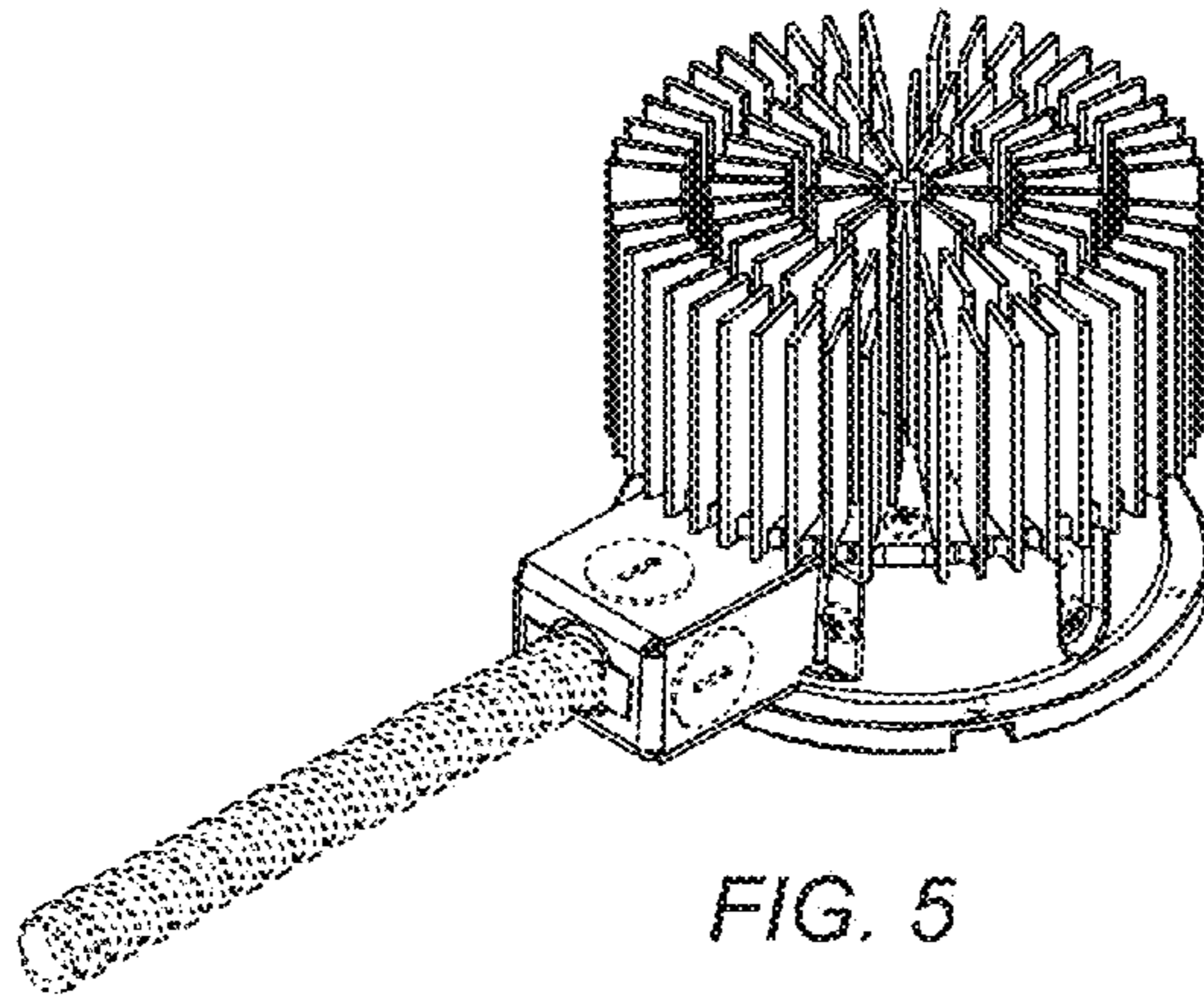


FIG. 5

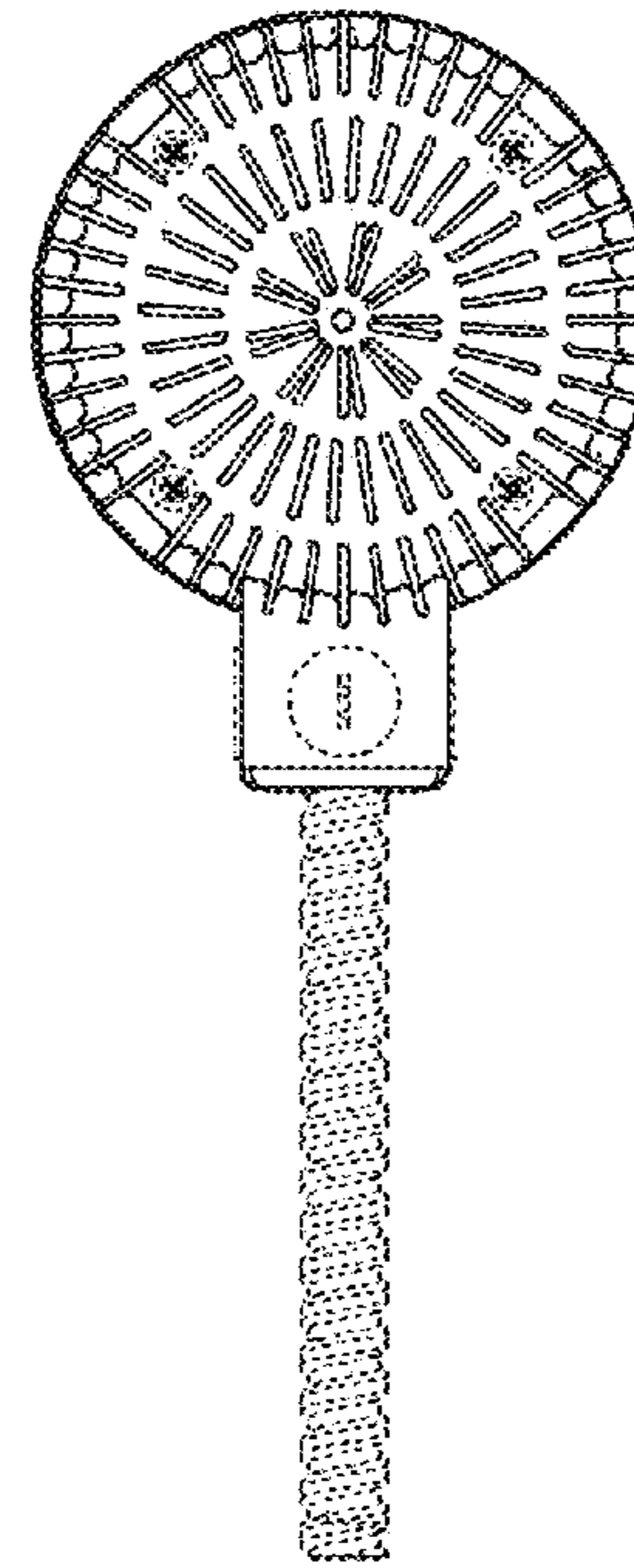


FIG. 6

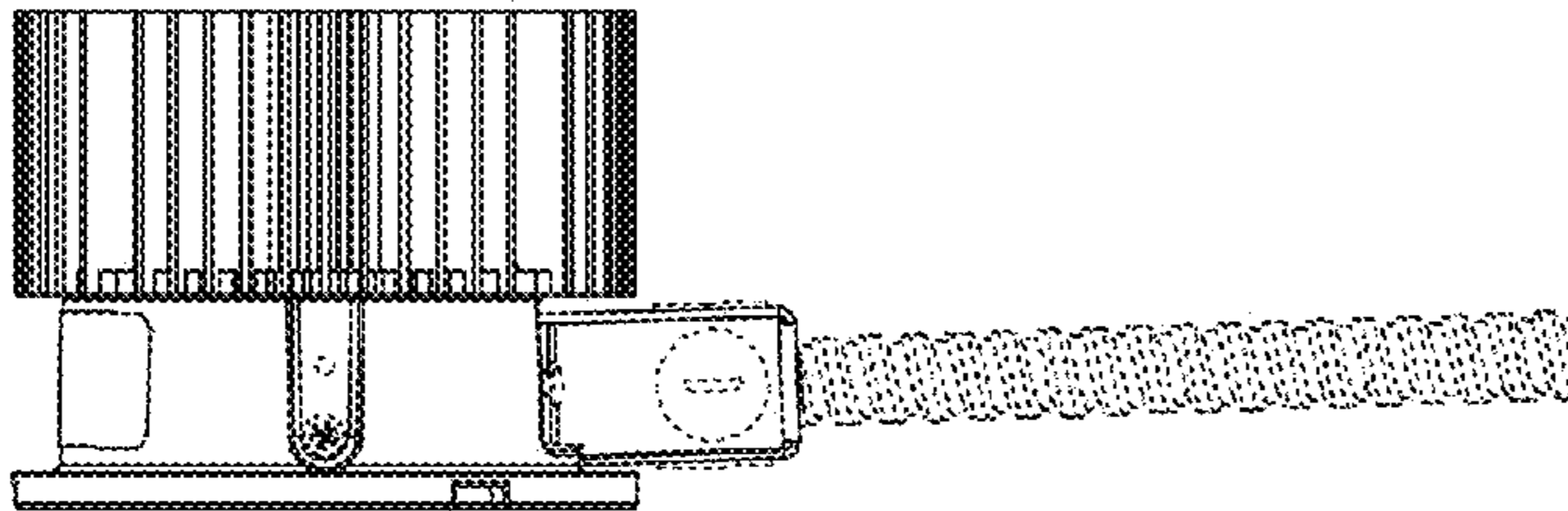


FIG. 7

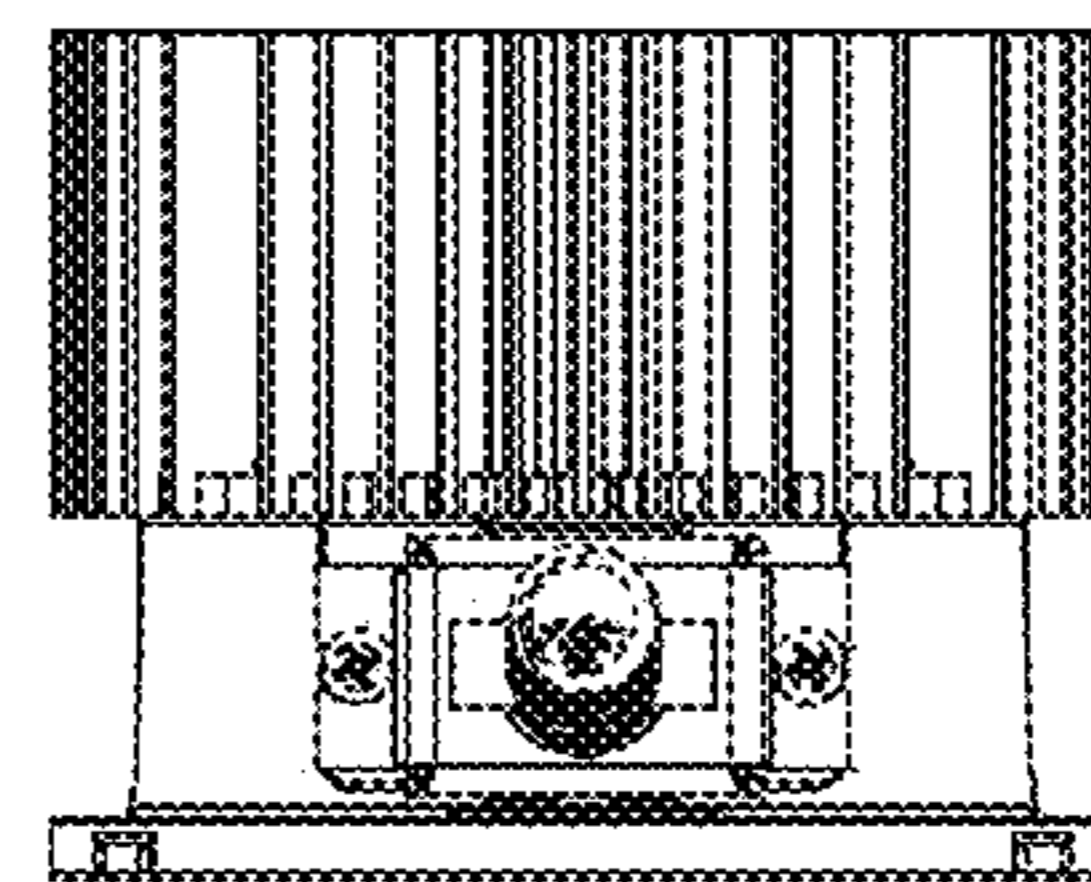


FIG. 8

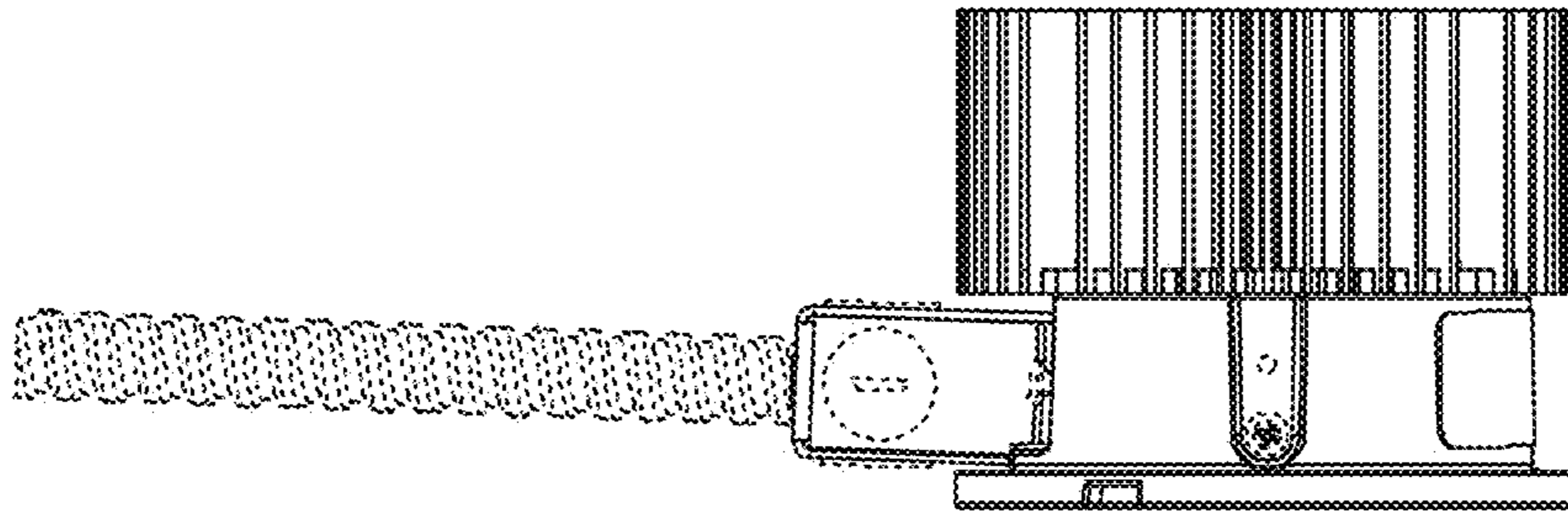


FIG. 9

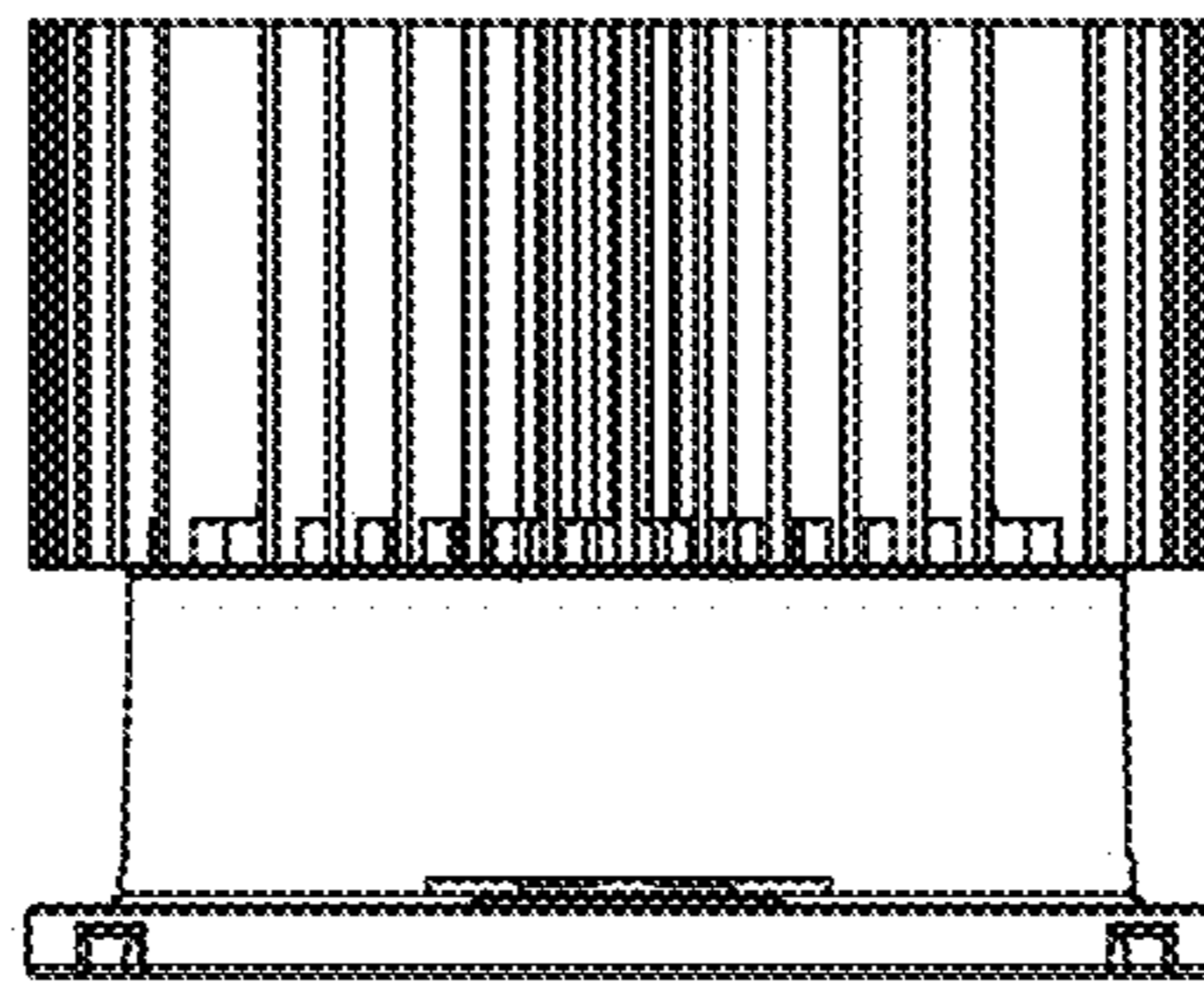


FIG. 10