



US00D714988S

(12) **United States Design Patent**
Park et al.

(10) **Patent No.:** **US D714,988 S**

(45) **Date of Patent:** **** Oct. 7, 2014**

(54) **CEILING-BURIED TYPE LUMINAIRE**

(71) Applicant: **Posco LED Company Ltd.**,
Seongnam-si (KR)

(72) Inventors: **Hyun-Ku Park**, Seongnam-si (KR);
Jae-Young Choi, Seongnam-si (KR)

(73) Assignee: **Posco LED Company Ltd.**,
Seongnam-si (KR)

(**) Term: **14 Years**

(21) Appl. No.: **29/457,219**

(22) Filed: **Jun. 7, 2013**

(30) **Foreign Application Priority Data**

Apr. 9, 2013 (KR) 30-2013-0018192

(51) **LOC (10) Cl.** **26-05**

(52) **U.S. Cl.**
USPC **D26/74**

(58) **Field of Classification Search**

USPC D26/51, 56, 57, 61, 72-91, 92-102,
D26/108, 109, 113, 118; 362/3, 11, 12, 16,
362/145, 147-150, 217.01-217.12, 257,
362/291, 296.01, 317, 362-368, 558, 563,
362/564, 576, 805-809, 811; D14/172,
D14/184, 195, 204

See application file for complete search history.

(56) **References Cited**

U.S. PATENT DOCUMENTS

2,961,530 A * 11/1960 Garnett et al. 362/364
D349,357 S * 8/1994 Herst et al. D26/85
D516,236 S * 2/2006 Yeh D26/89

D533,956 S * 12/2006 Vladika D26/118
D567,989 S * 4/2008 Goetz-Schaefer D26/89
D595,447 S * 6/2009 Purcell D26/85
D602,187 S * 10/2009 Fabbri et al. D26/74
D602,188 S * 10/2009 Fabbri et al. D26/74
7,775,694 B2 * 8/2010 Nagai et al. 362/365
D631,595 S * 1/2011 Carroll D26/89
D675,363 S * 1/2013 Apetauer et al. D26/74
D682,455 S * 5/2013 Apetauer et al. D26/74
D699,386 S * 2/2014 Park et al. D26/118
D705,974 S * 5/2014 Blessitt et al. D26/74

* cited by examiner

Primary Examiner — Garth Rademaker

Assistant Examiner — Llorellys Martinez-Rivera

(74) *Attorney, Agent, or Firm* — H.C. Park & Associates,
PLC

(57) **CLAIM**

The ornamental design for a ceiling-buried type luminaire, as shown and described.

DESCRIPTION

FIG. 1 is a Perspective View of the ceiling-buried type luminaire of the claimed design.

FIG. 2 is a Front View of the ceiling-buried type luminaire.

FIG. 3 is a Rear View of the ceiling-buried type luminaire.

FIG. 4 is a Left Side View of the ceiling-buried type luminaire.

FIG. 5 is a Right Side View of the ceiling-buried type luminaire.

FIG. 6 is a Top Plan View of the ceiling-buried type luminaire.

FIG. 7 is a Bottom Plan View of the ceiling-buried type luminaire; and,

FIG. 8 is a Bottom Perspective View of the ceiling-buried type luminaire.

1 Claim, 5 Drawing Sheets

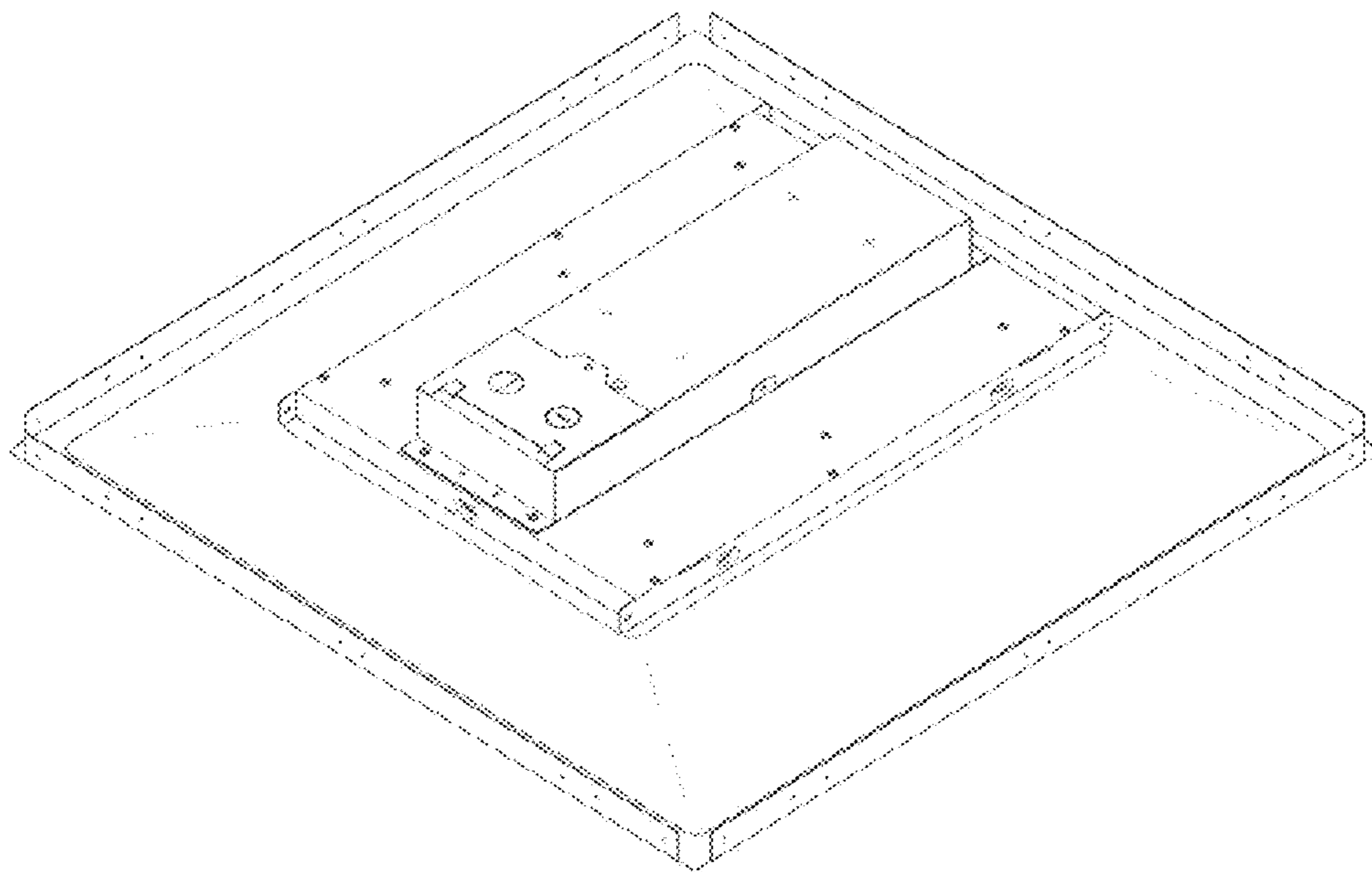


Figure 1

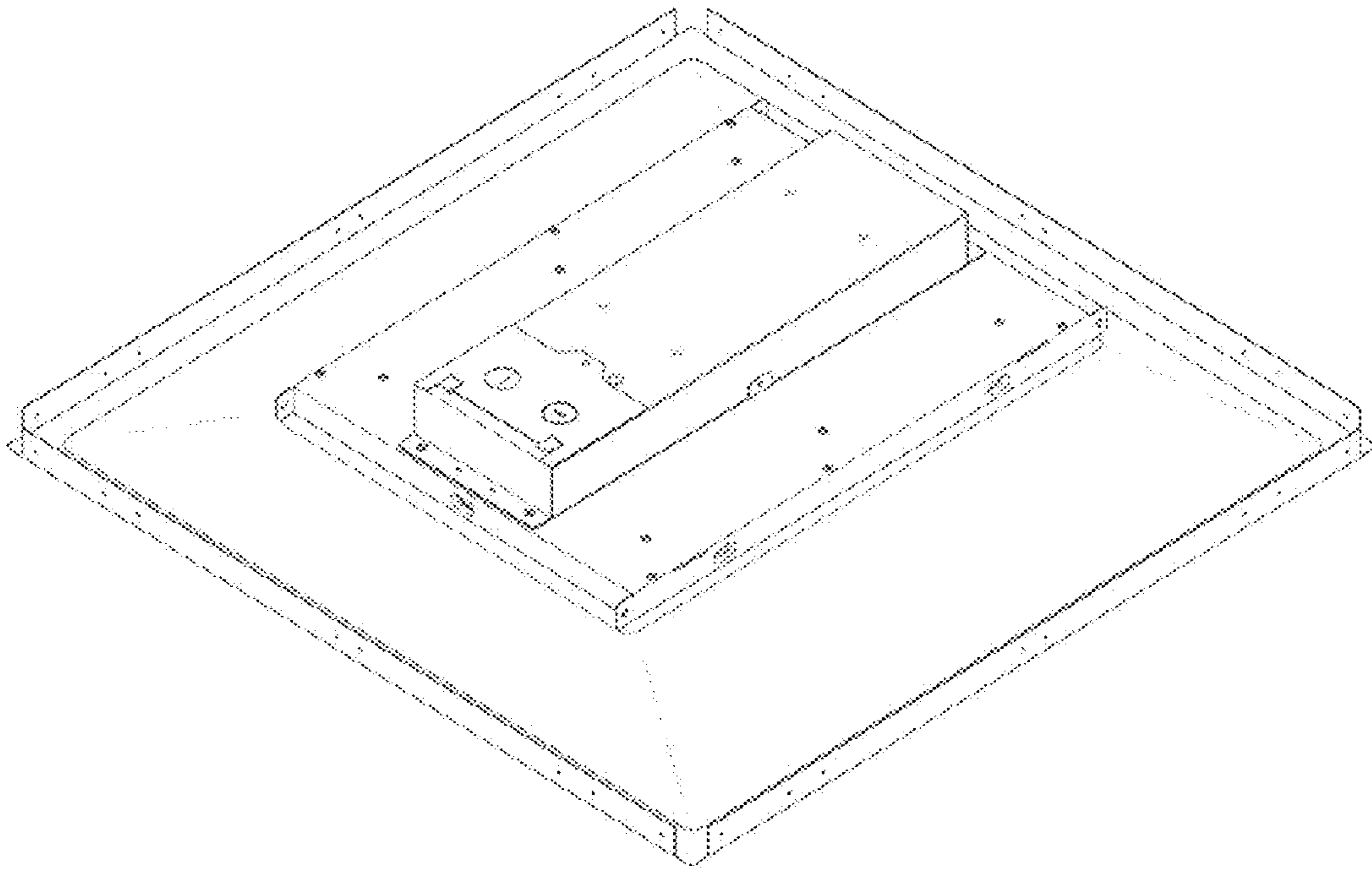


Figure 2

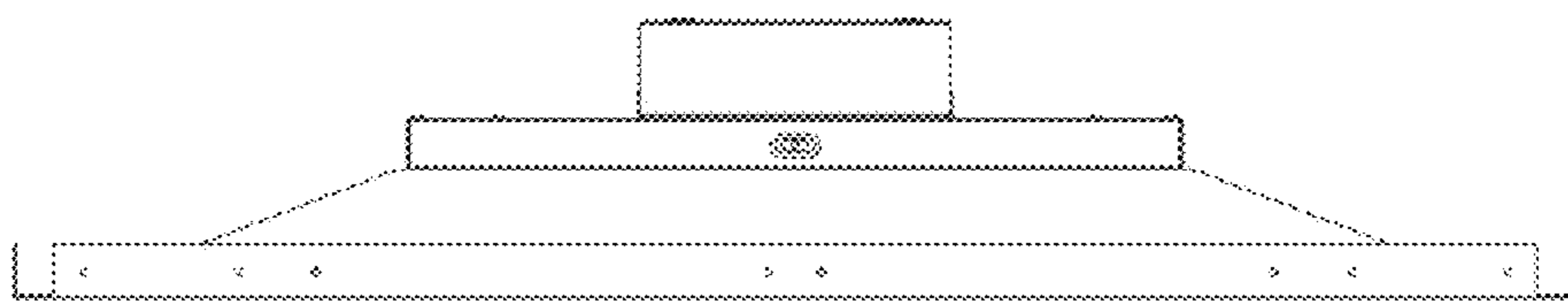


Figure 3

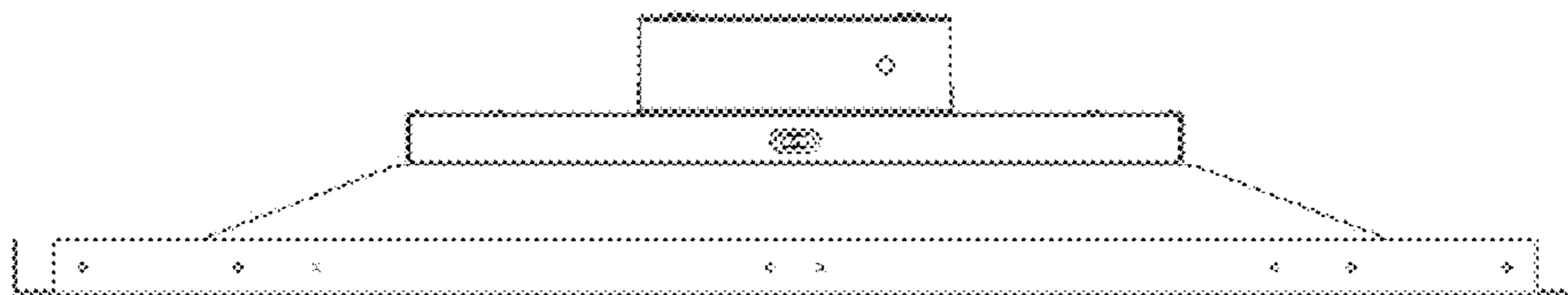


Figure 4

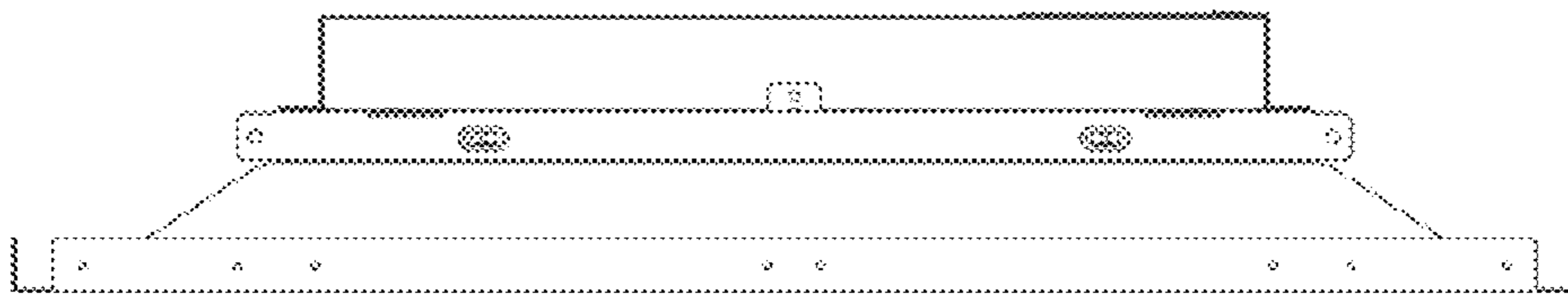


Figure 5

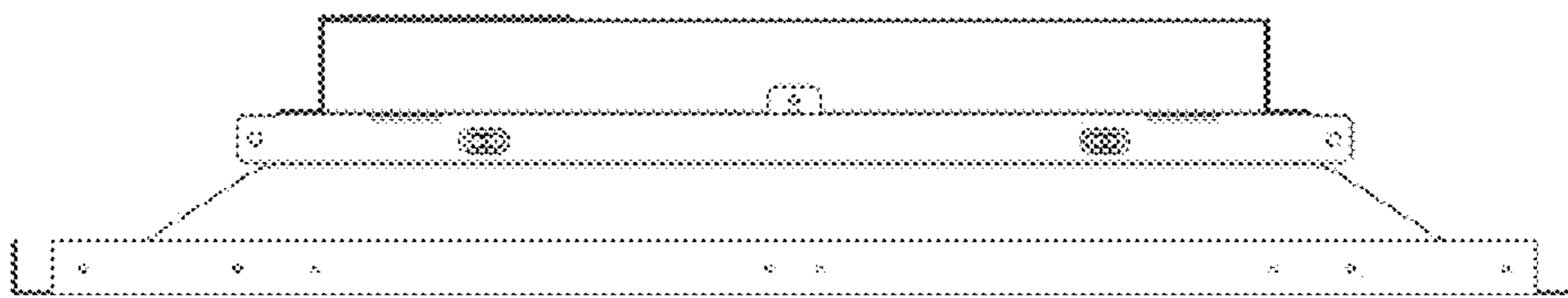


Figure 6

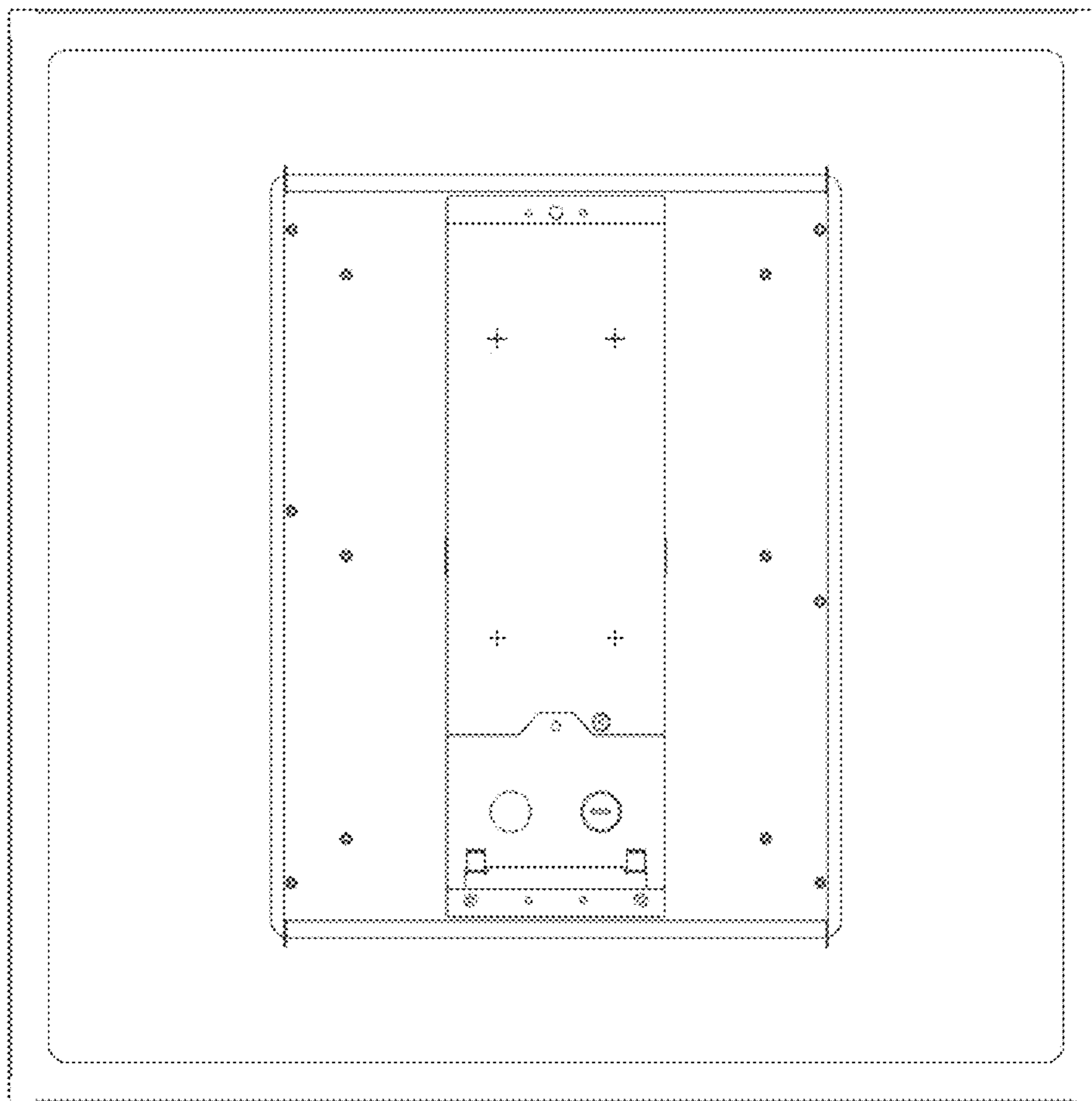


Figure 7

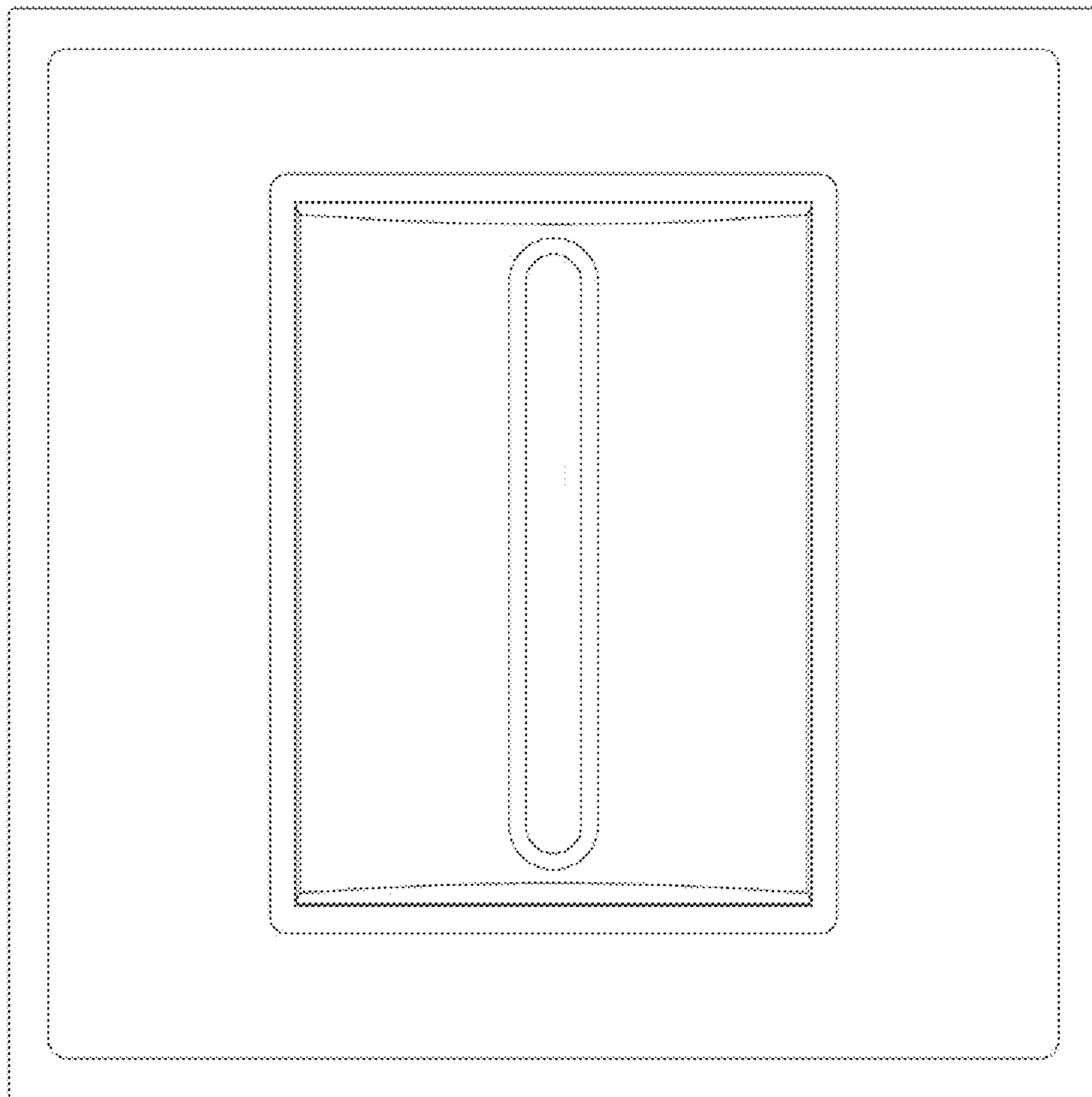


Figure 8

