



US00D714987S

(12) **United States Design Patent**  
**Saville**

(10) **Patent No.:** **US D714,987 S**  
(45) **Date of Patent:** **\*\* Oct. 7, 2014**

(54) **DOWN LIGHT**

(71) Applicant: **Markerry Technologies Pty Ltd,**  
Carrum Downs (AU)

(72) Inventor: **Luke Saville,** Mount Eliza (AU)

(73) Assignee: **Markerry Technologies Pty Ltd.,**  
Carrum Downs (AU)

(\*\*) Term: **14 Years**

(21) Appl. No.: **29/437,680**

(22) Filed: **Nov. 20, 2012**

(51) **LOC (10) Cl.** ..... **26-05**

(52) **U.S. Cl.**  
USPC ..... **D26/74; D26/118**

(58) **Field of Classification Search**  
CPC ... F21Y 2102/02; F21V 29/004; F21V 29/22;  
F21V 29/2206; F21V 15/011  
USPC ..... D26/1, 2, 5-7, 24, 26, 28, 51, 59, 63,  
D26/67, 68, 72-74, 81-89, 93, 103-109,  
D26/113, 118-124; D23/355-370, 373,  
D23/376; 362/362, 364, 365, 368, 373, 376  
See application file for complete search history.

(56) **References Cited**

**U.S. PATENT DOCUMENTS**

D285,603 S \* 9/1986 Martin ..... D23/355  
D380,257 S \* 6/1997 Ganor ..... D23/366

D438,944 S \* 3/2001 Terpko et al. .... D23/364  
D450,377 S \* 11/2001 Terpko et al. .... D23/364  
D452,302 S \* 12/2001 Hagen ..... D23/365  
D455,482 S \* 4/2002 Krauss ..... D23/356  
D495,814 S \* 9/2004 James ..... D26/28  
D544,591 S \* 6/2007 Snow et al. .... D23/358  
D559,964 S \* 1/2008 Snow et al. .... D23/356  
8,403,533 B1 \* 3/2013 Paulsel ..... 362/365  
D691,314 S \* 10/2013 Rashidi ..... D26/74  
2008/0278953 A1 \* 11/2008 Haugaard ..... 362/365

\* cited by examiner

*Primary Examiner* — Cathron Brooks

*Assistant Examiner* — Llorellys Martinez-Rivera

(74) *Attorney, Agent, or Firm* — Sheridan Ross P.C.

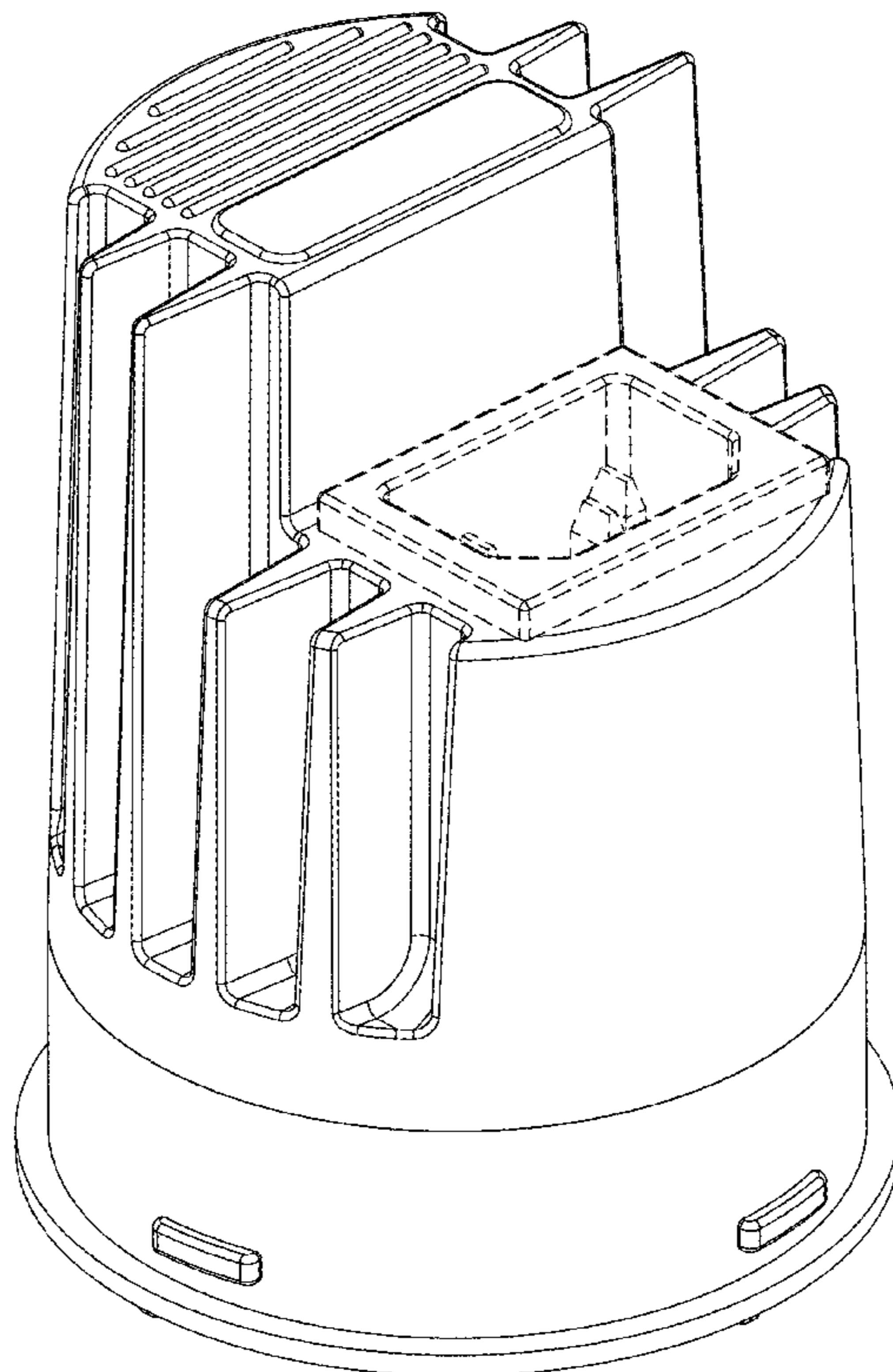
(57) **CLAIM**

The ornamental design for a down light, as shown and described.

**DESCRIPTION**

FIG. 1 is a top plan view of a down light showing my invention;  
FIG. 2 is a perspective view thereof;  
FIG. 3 is a rear elevation view thereof;  
FIG. 4 is a left side view thereof the right side view being a mirror image thereof;  
FIG. 5 is a front elevation view thereof; and,  
FIG. 6 is a bottom plan view thereof.  
In the drawings, the broken lines depict environmental subject matter only and form no part of the claimed design.

**1 Claim, 6 Drawing Sheets**



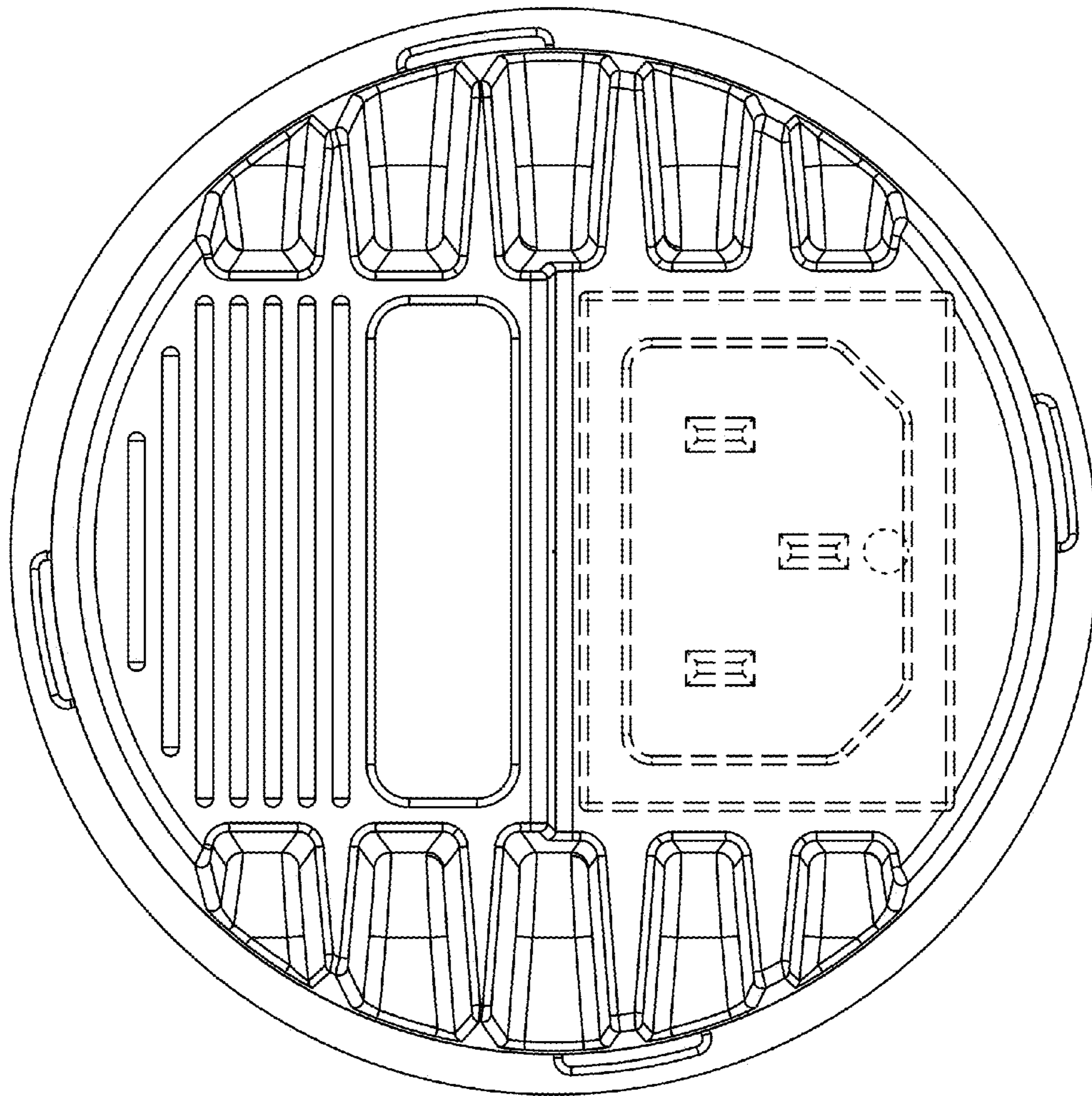


FIG. 1

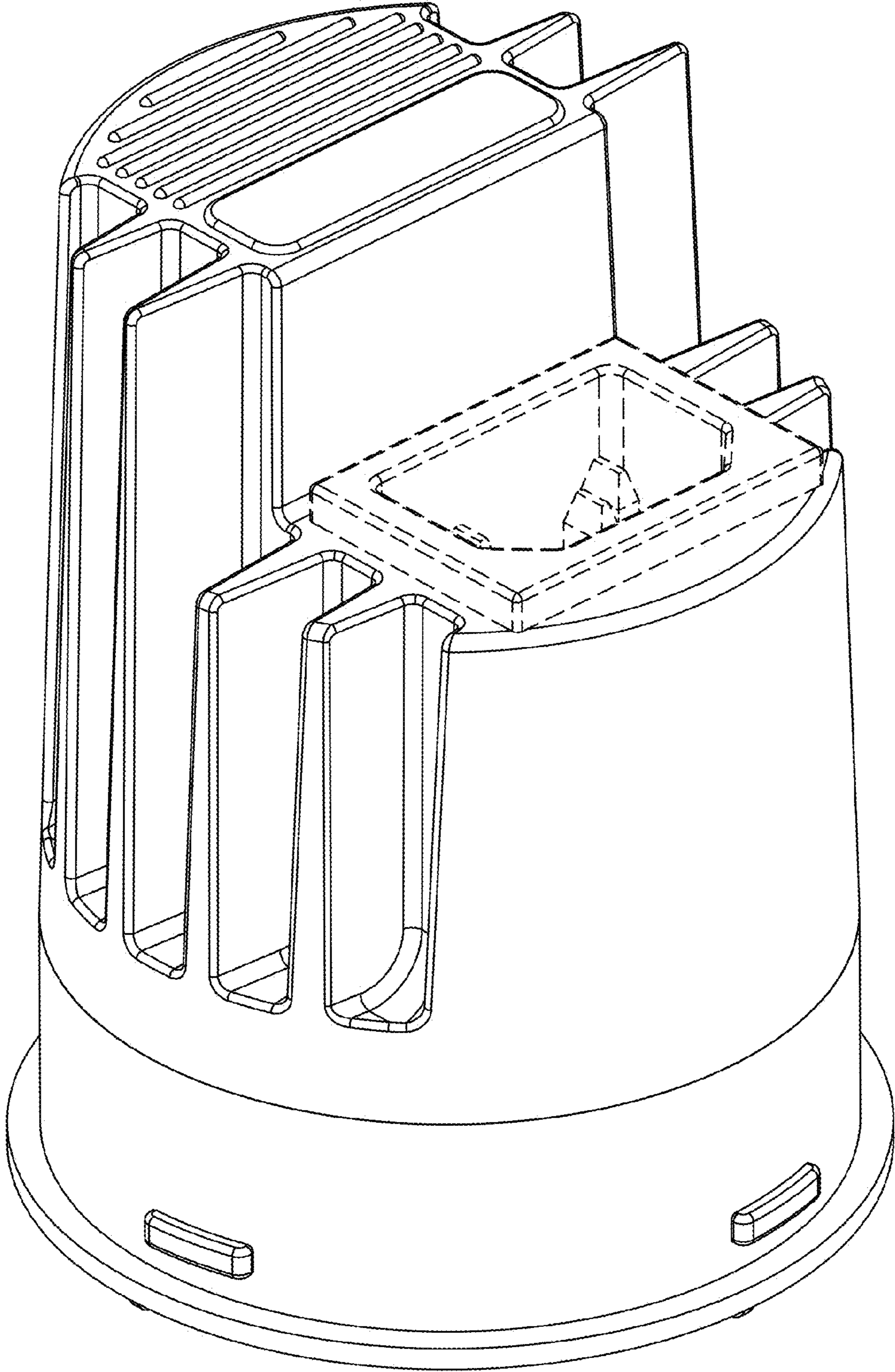


FIG. 2

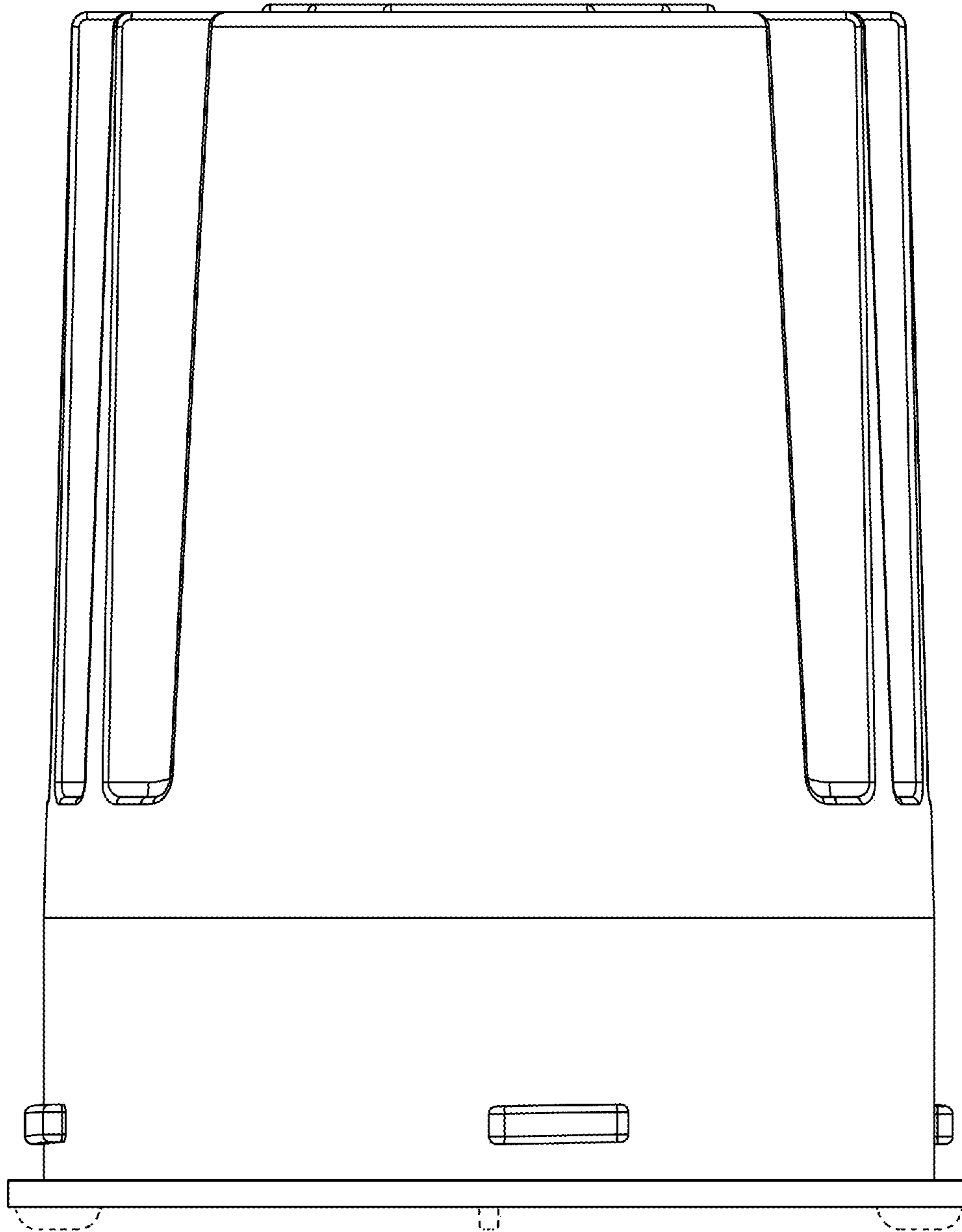


FIG. 3

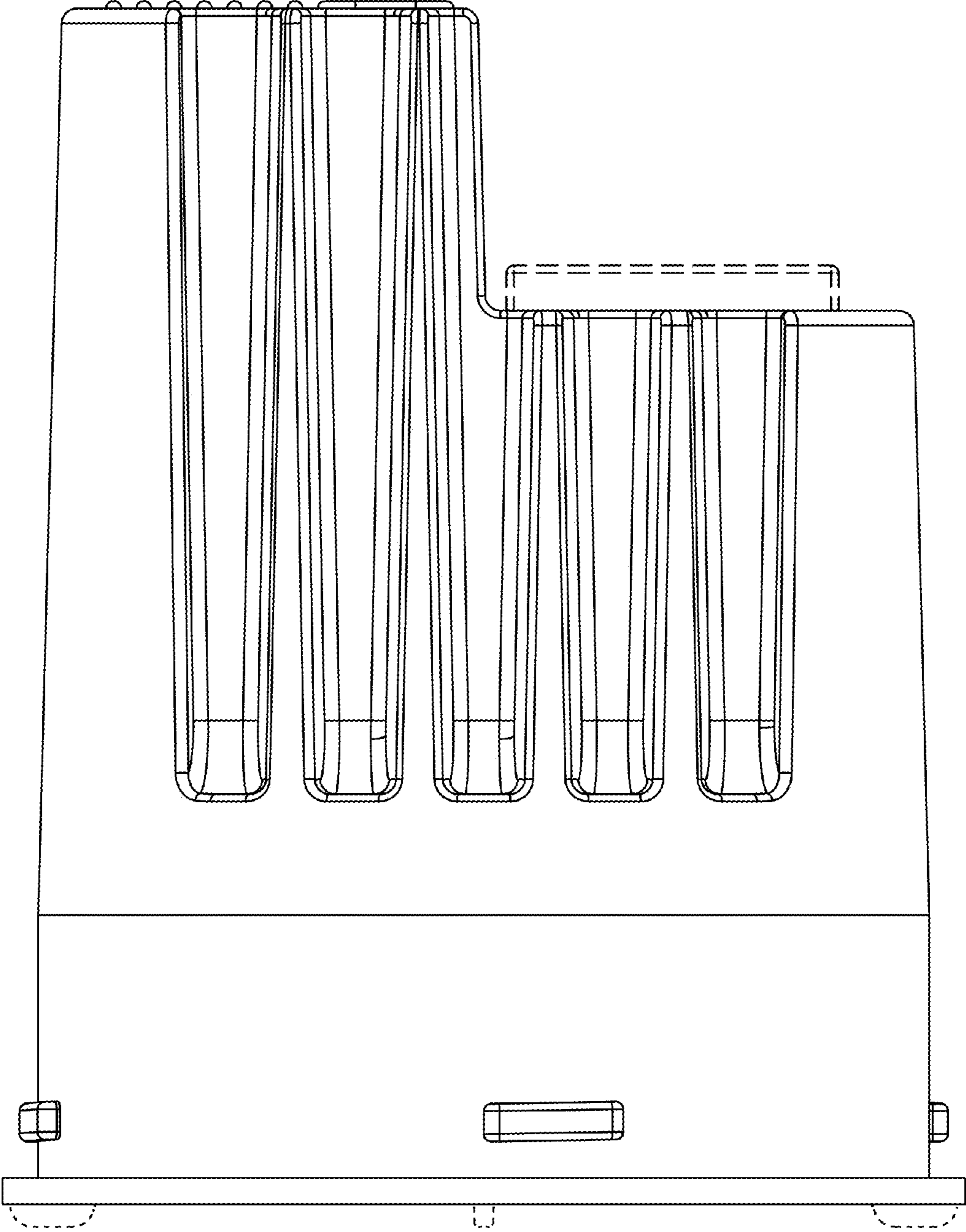


FIG. 4

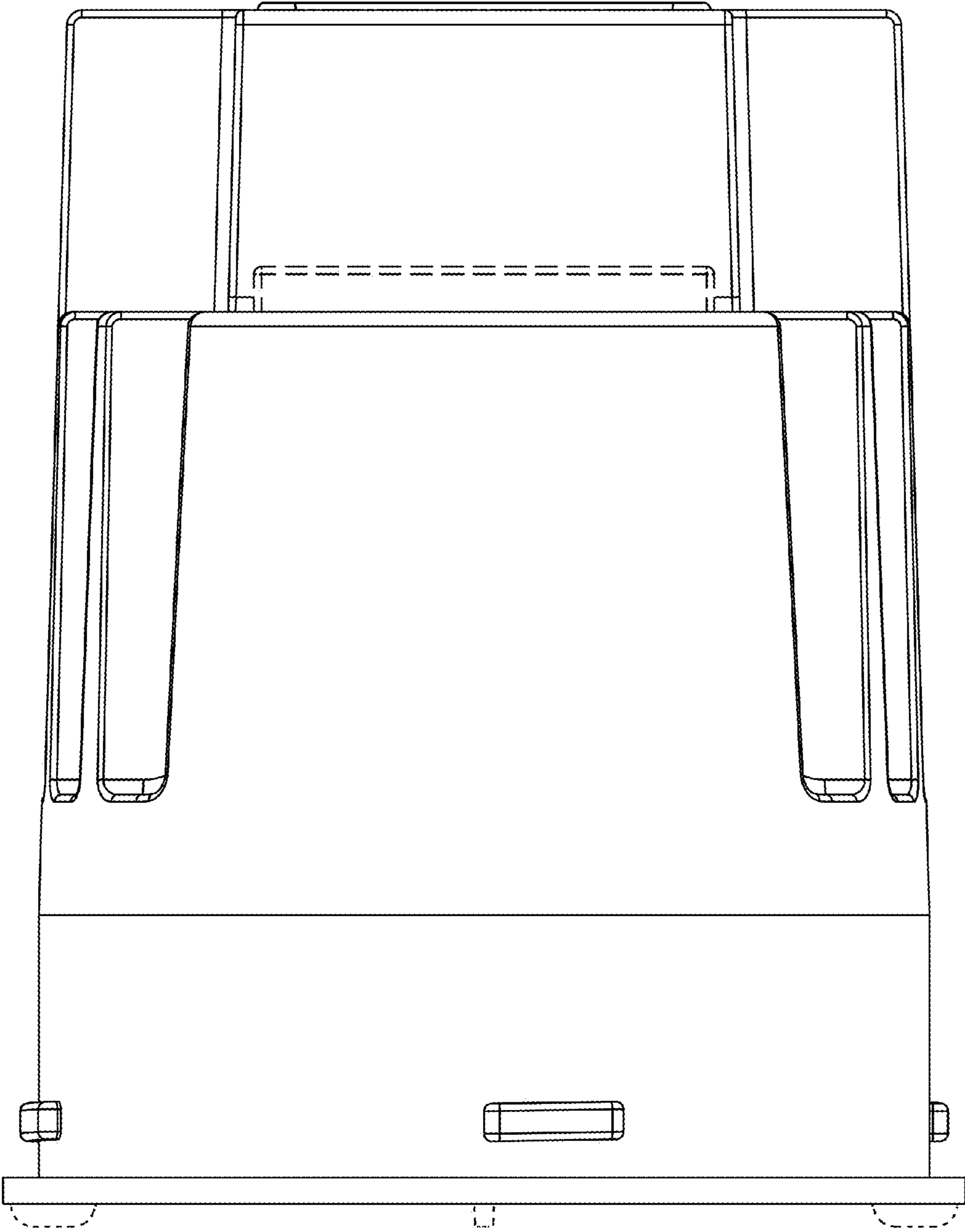


FIG. 5

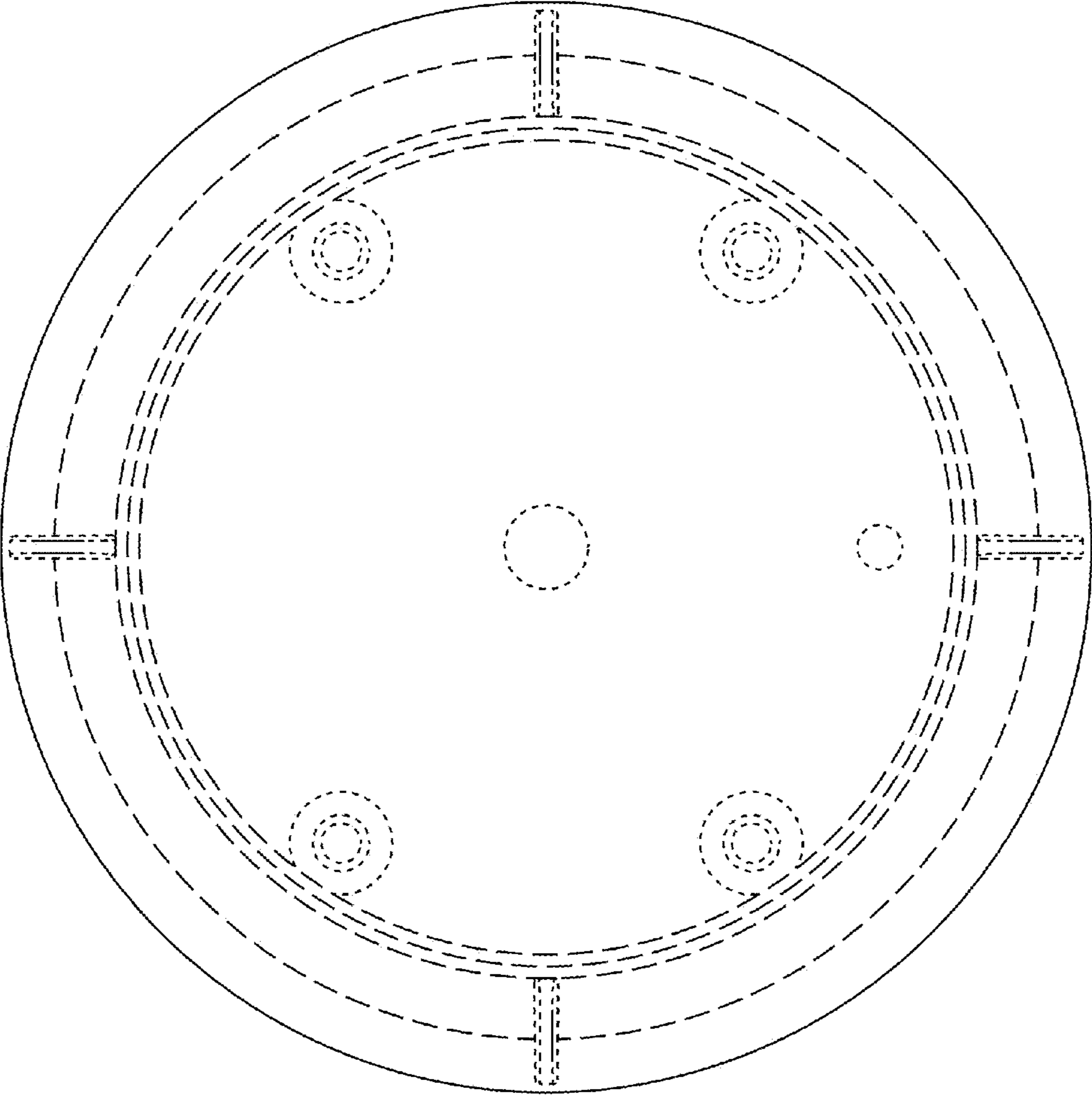


FIG. 6