



US00D714978S

(12) **United States Design Patent**
Lee et al.

(10) **Patent No.:** **US D714,978 S**
(45) **Date of Patent:** **** Oct. 7, 2014**

(54) **REAR COMBINATION LAMP FOR AUTOMOBILES**

D560,292 S * 1/2008 Sato D26/28
D561,357 S * 2/2008 Leclercq et al. D26/28
D565,211 S * 3/2008 Haller et al. D26/28
D574,524 S * 8/2008 Tomatsu D26/28

(71) Applicant: **Kia Motors Corporation**, Seoul (KR)

* cited by examiner

(72) Inventors: **Gwon-Hak Lee**, Gyeonggi-Do (KR);
Mun-Hyo Yoon, Gyeonggi-Do (KR);
Young-Min Kim, Seoul (KR);
Yun-Seok Oh, Gyeonggi-Do (KR)

Primary Examiner — Marcus Jackson
(74) *Attorney, Agent, or Firm* — Edwards Wildman Palmer LLP; Kongsik Kim

(73) Assignee: **Kia Motors Corporation**, Seoul (KR)

(**) Term: **14 Years**

(21) Appl. No.: **29/442,891**

(22) Filed: **Jun. 7, 2013**

(57) **CLAIM**
The ornamental design for a rear combination lamp for automobiles, as shown and described.

(30) **Foreign Application Priority Data**

DESCRIPTION

Feb. 21, 2013 (KR) 30-2013-0008824

(51) **LOC (10) Cl.** **26-06**

(52) **U.S. Cl.**
USPC **D26/28**

(58) **Field of Classification Search**
USPC D26/28-36; 362/459-468, 475-478,
362/485-487

See application file for complete search history.

FIG. 1 is a perspective view of a rear combination lamp for automobiles according to the present invention.
FIG. 2 is a front view of the rear combination lamp for automobiles of FIG. 1.
FIG. 3 is a rear view of the rear combination lamp for automobiles of FIG. 1.
FIG. 4 is a left side view of the rear combination lamp for automobiles of FIG. 1.
FIG. 5 is a right side view of the rear combination lamp for automobiles of FIG. 1.
FIG. 6 is a top view of the rear combination lamp for automobiles of FIG. 1; and,
FIG. 7 is a bottom view of the rear combination lamp for automobiles of FIG. 1.

(56) **References Cited**

U.S. PATENT DOCUMENTS

D552,769 S * 10/2007 Leclercq D26/28
D553,269 S * 10/2007 Pfeiffer et al. D26/28

1 Claim, 7 Drawing Sheets

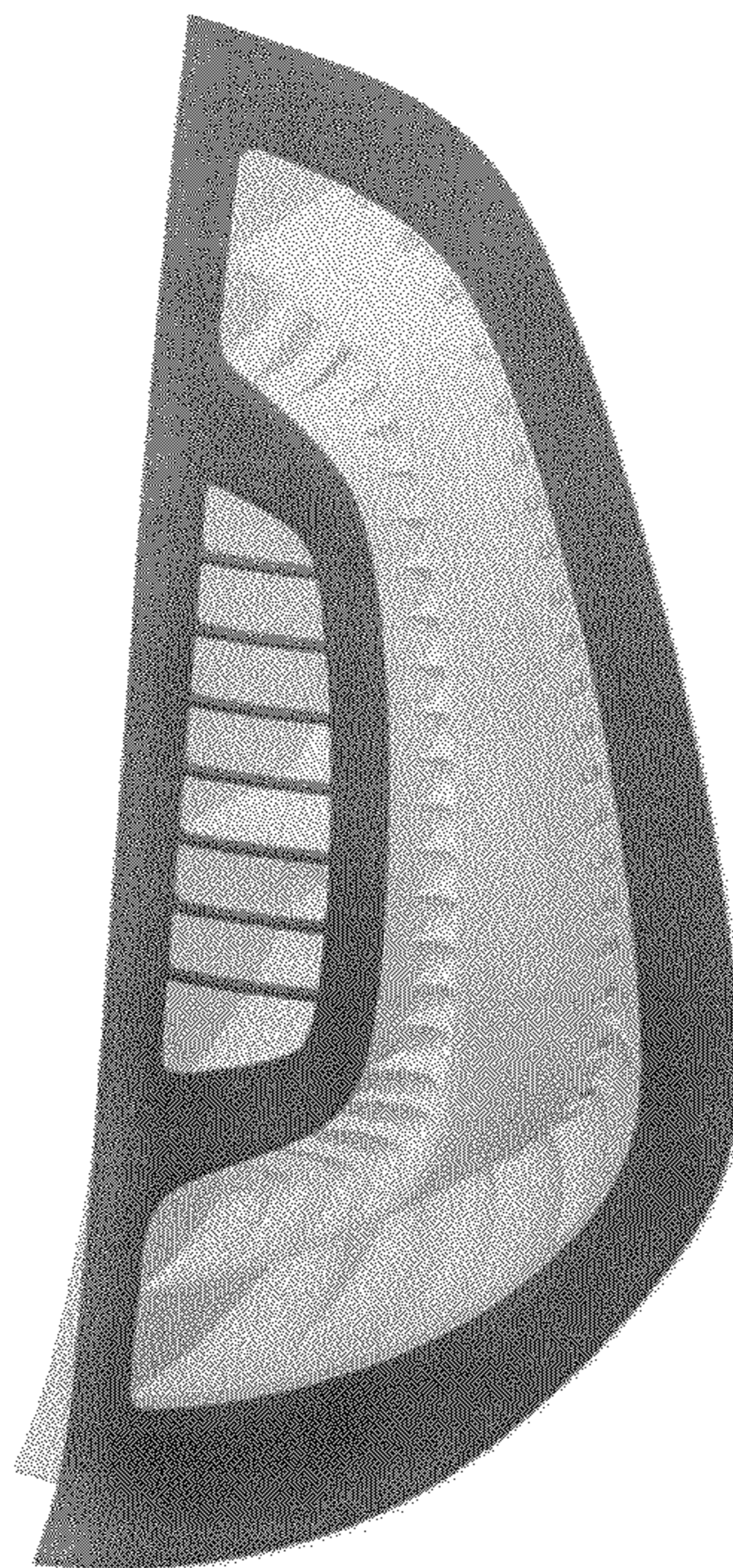


FIG. 1

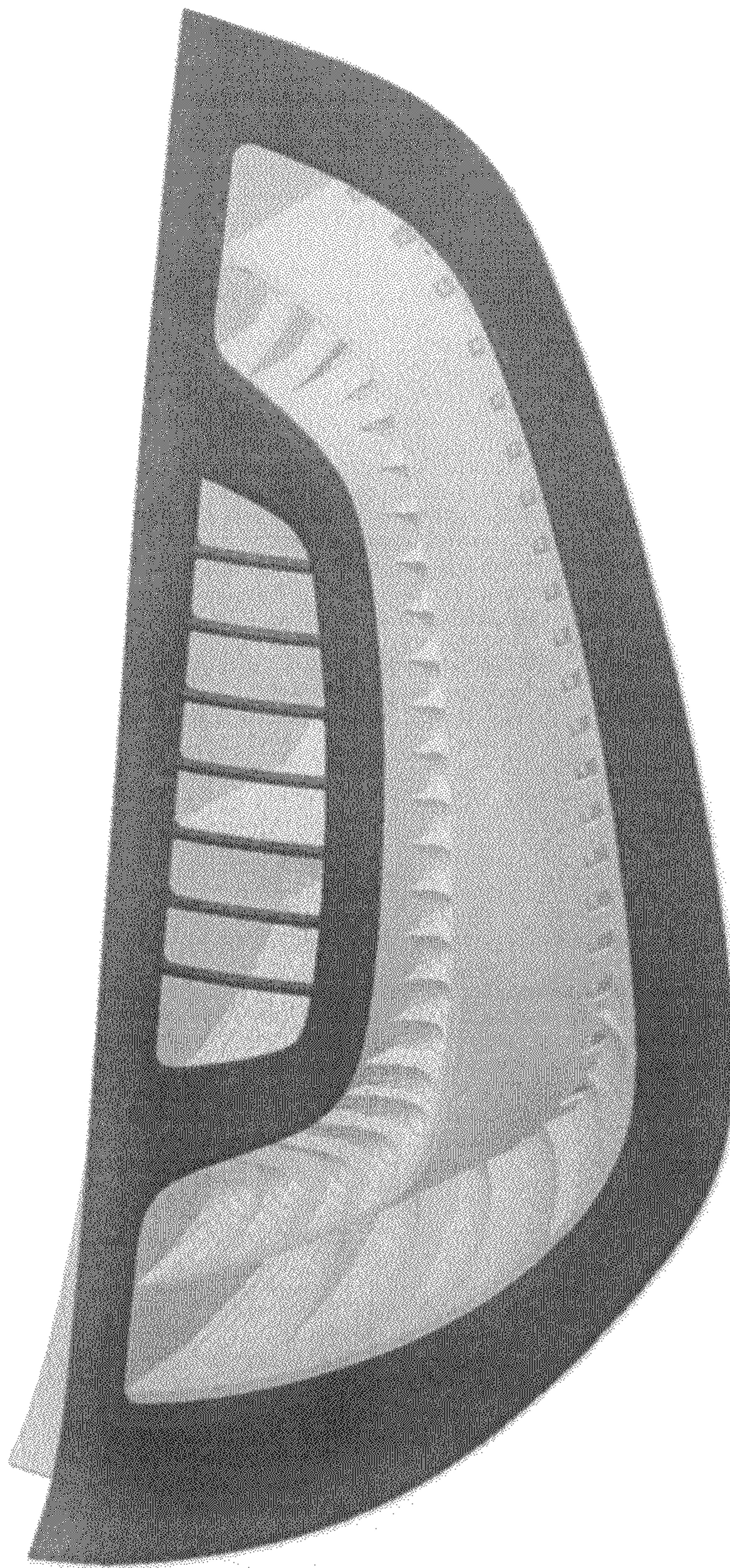


FIG. 2

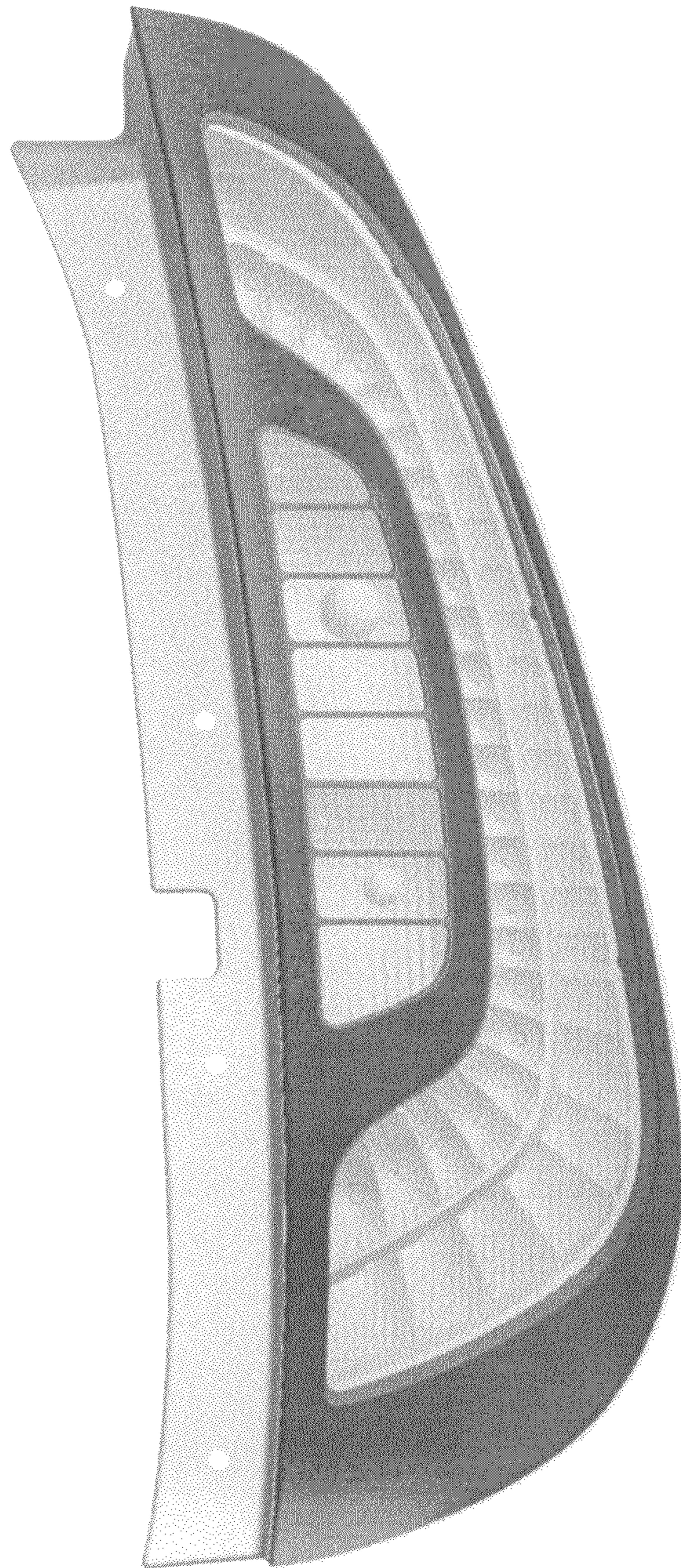


FIG. 3

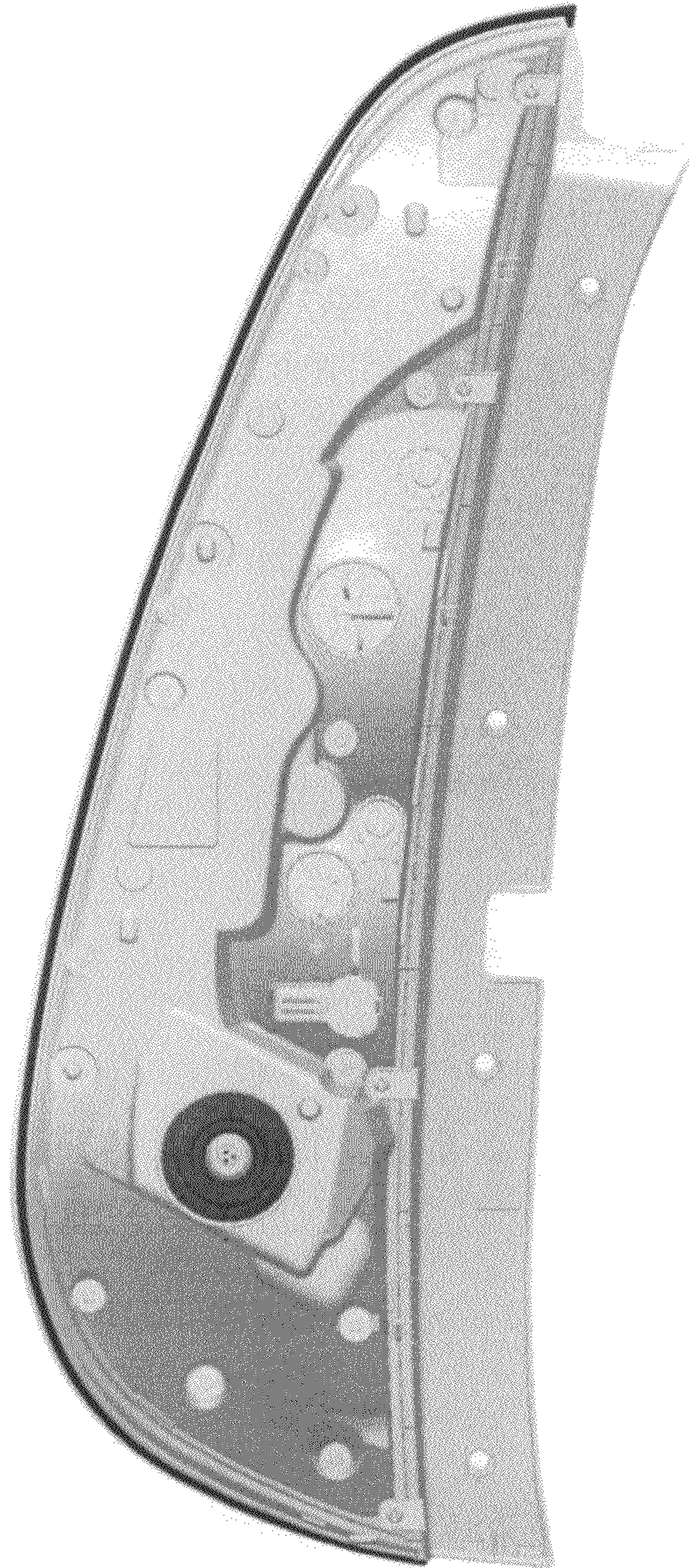


FIG. 4

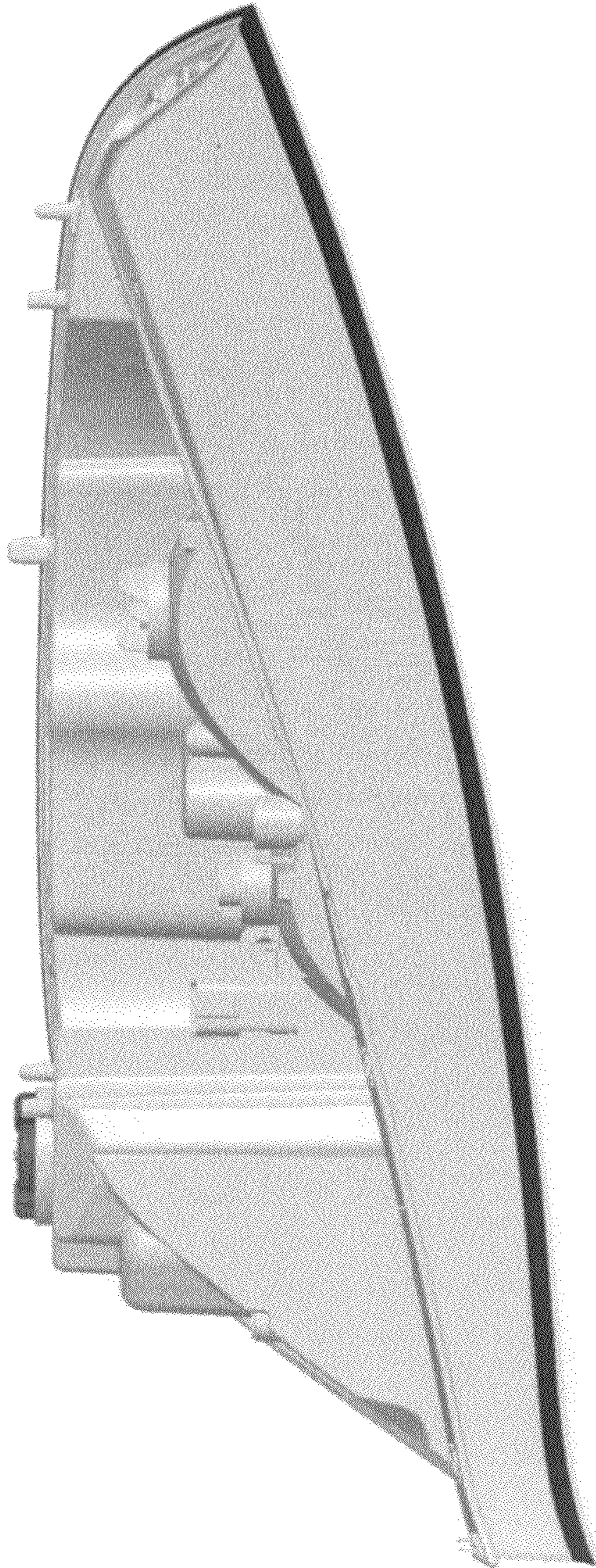


FIG. 5

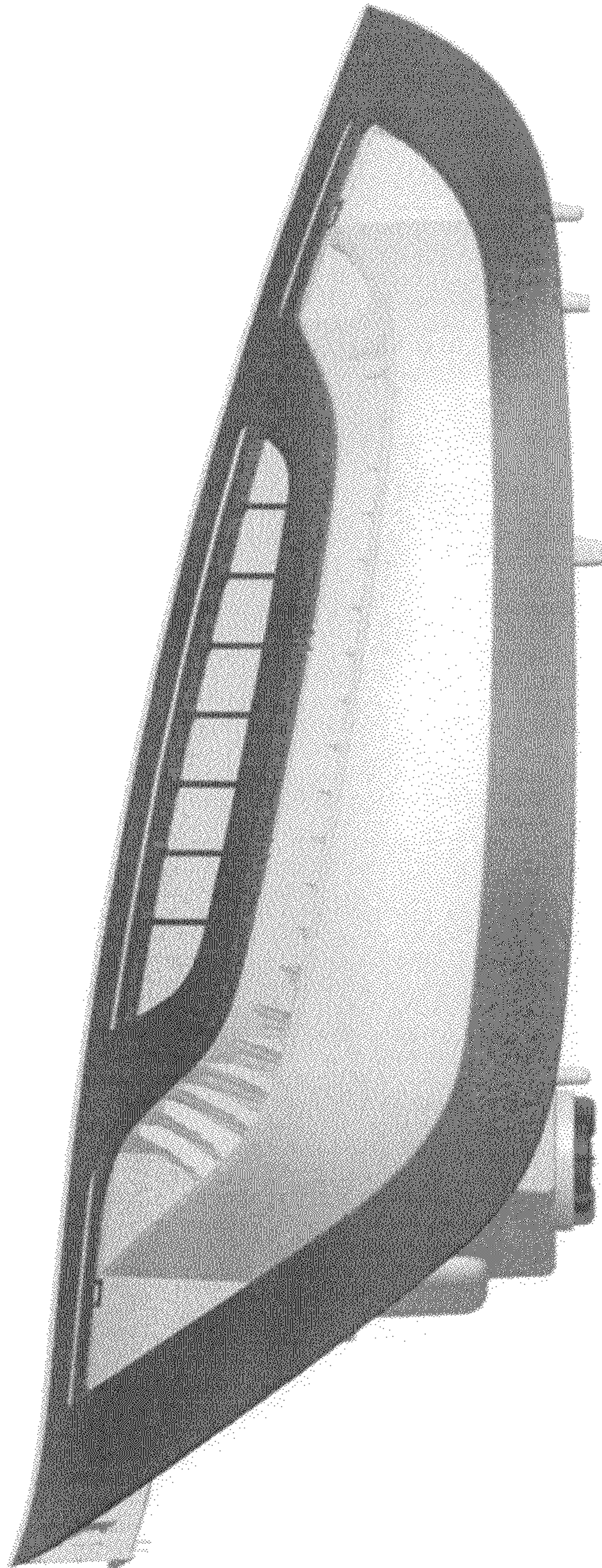


FIG. 6

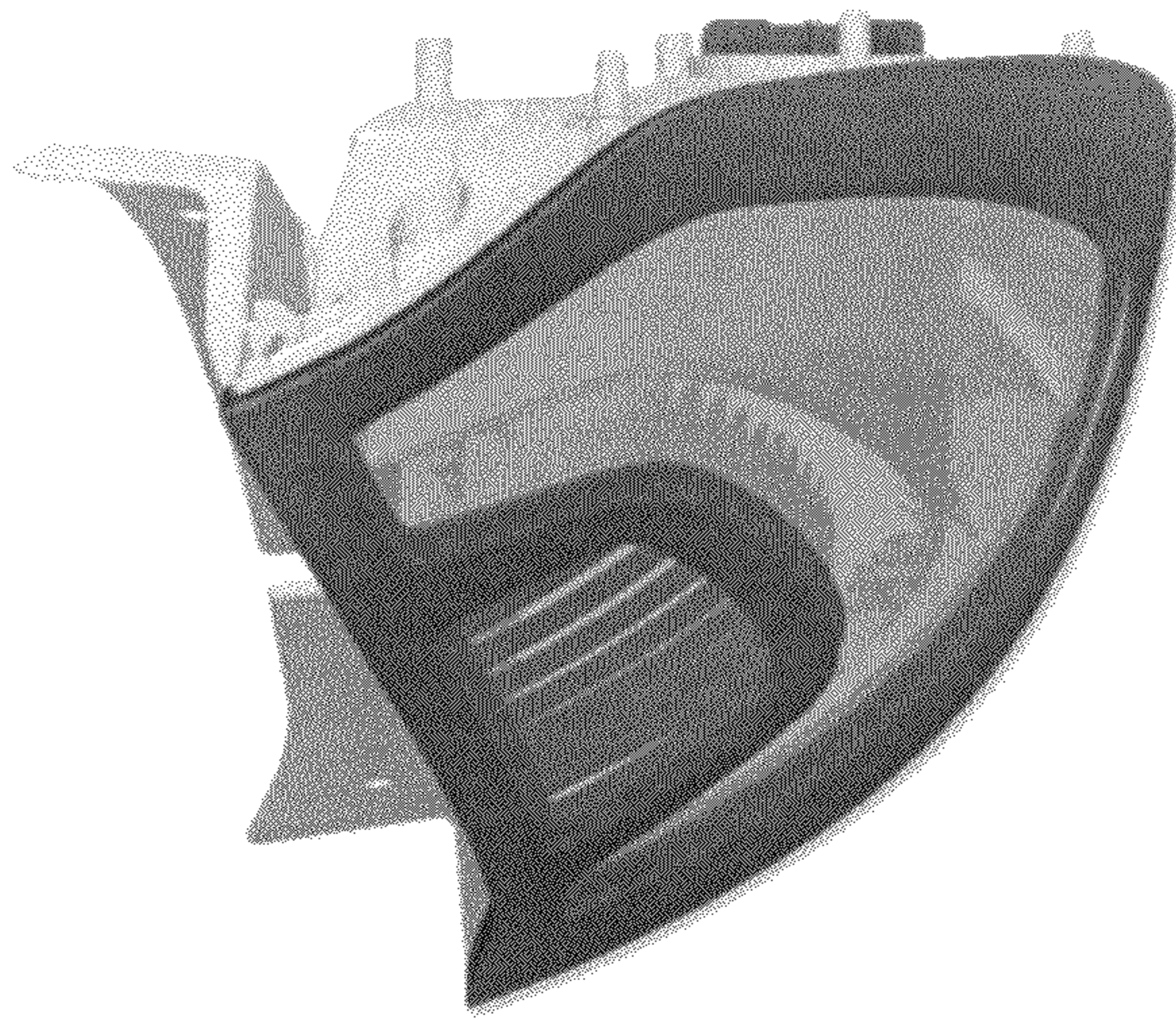


FIG. 7

