



US00D714977S

(12) **United States Design Patent**  
**Lee et al.**

(10) **Patent No.:** **US D714,977 S**  
(45) **Date of Patent:** **\*\* Oct. 7, 2014**

(54) **HEAD LAMP FOR AUTOMOBILES**

(71) Applicant: **Kia Motors Corporation**, Seoul (KR)

(72) Inventors: **Gwon-Hak Lee**, Gyeonggi-Do (KR);  
**Mun-Hyo Yoon**, Gyeonggi-Do (KR);  
**Young-Min Kim**, Seoul (KR);  
**Yun-Seok Oh**, Gyeonggi-Do (KR)

(73) Assignee: **Kia Motors Corporation**, Seoul (KR)

(\*\*) Term: **14 Years**

(21) Appl. No.: **29/442,890**

(22) Filed: **Jun. 7, 2013**

(30) **Foreign Application Priority Data**

Feb. 21, 2013 (KR) ..... 30-2013-0008830

(51) **LOC (10) Cl.** ..... **26-06**

(52) **U.S. Cl.**  
USPC ..... **D26/28**

(58) **Field of Classification Search**

USPC ..... D26/28-36; 362/459-468, 475-478,  
362/485-487

See application file for complete search history.

(56) **References Cited**

U.S. PATENT DOCUMENTS

|          |   |   |        |           |       |        |
|----------|---|---|--------|-----------|-------|--------|
| D508,136 | S | * | 8/2005 | Pfeiffer  | ..... | D26/28 |
| D518,581 | S | * | 4/2006 | Osawa     | ..... | D26/28 |
| D528,231 | S | * | 9/2006 | Ikeda     | ..... | D26/28 |
| D535,409 | S | * | 1/2007 | Yamaguchi | ..... | D26/28 |
| D544,614 | S | * | 6/2007 | Markefka  | ..... | D26/28 |

\* cited by examiner

*Primary Examiner* — Marcus Jackson

(74) *Attorney, Agent, or Firm* — Edwards Wildman Palmer LLP; Kongsik Kim

(57) **CLAIM**

The ornamental design for a head lamp for automobiles, as shown and described.

**DESCRIPTION**

FIG. 1 is a perspective view of a head lamp for automobiles according to the present invention.

FIG. 2 is a front view of the head lamp for automobiles of FIG. 1.

FIG. 3 is a rear view of the head lamp for automobiles of FIG. 1.

FIG. 4 is a left side view of the head lamp for automobiles of FIG. 1.

FIG. 5 is a right side view of the head lamp for automobiles of FIG. 1.

FIG. 6 is a top view of the head lamp for automobiles of FIG. 1; and,

FIG. 7 is a bottom view of the head lamp for automobiles of FIG. 1.

**1 Claim, 7 Drawing Sheets**

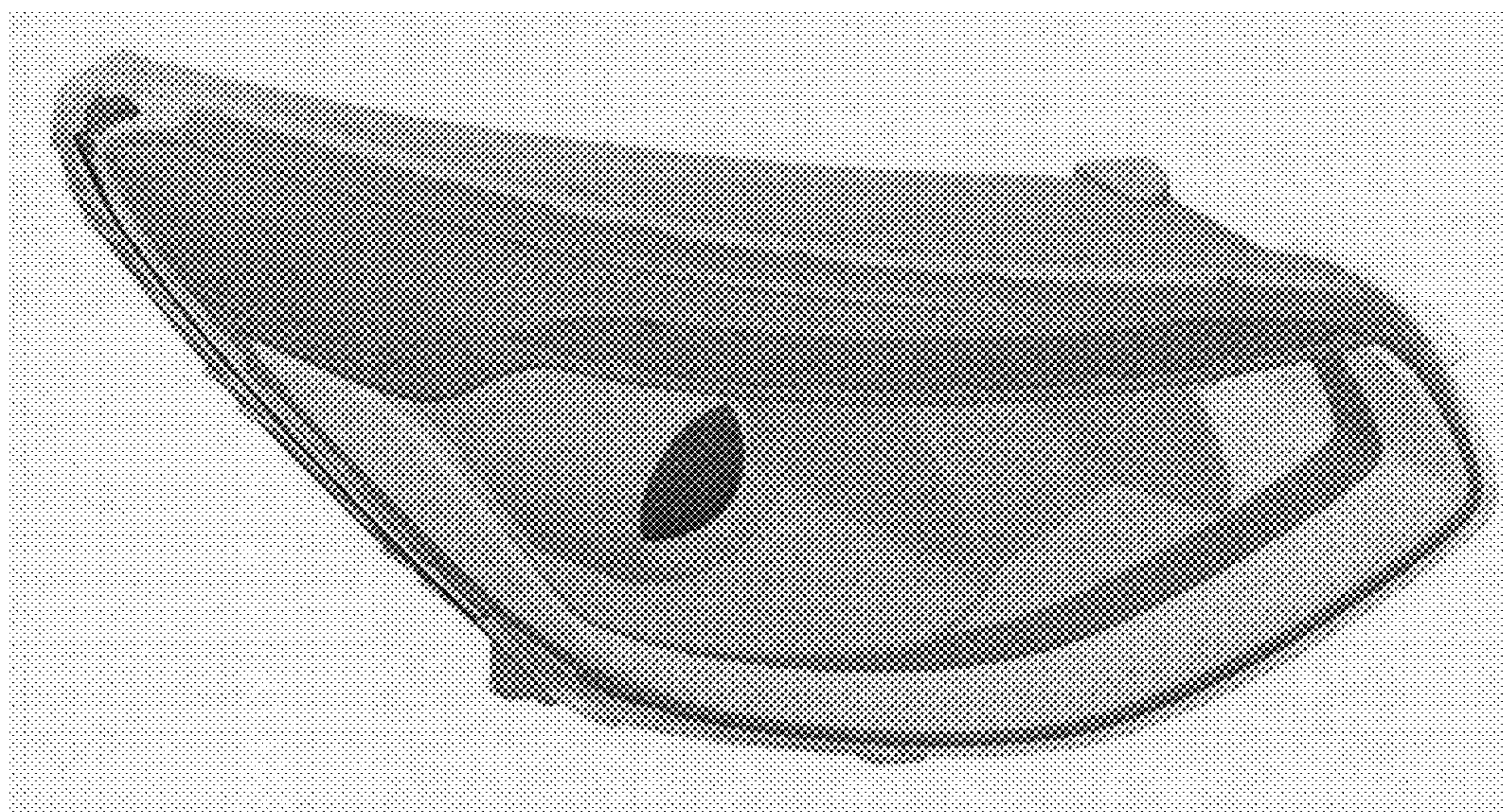


FIG. 1

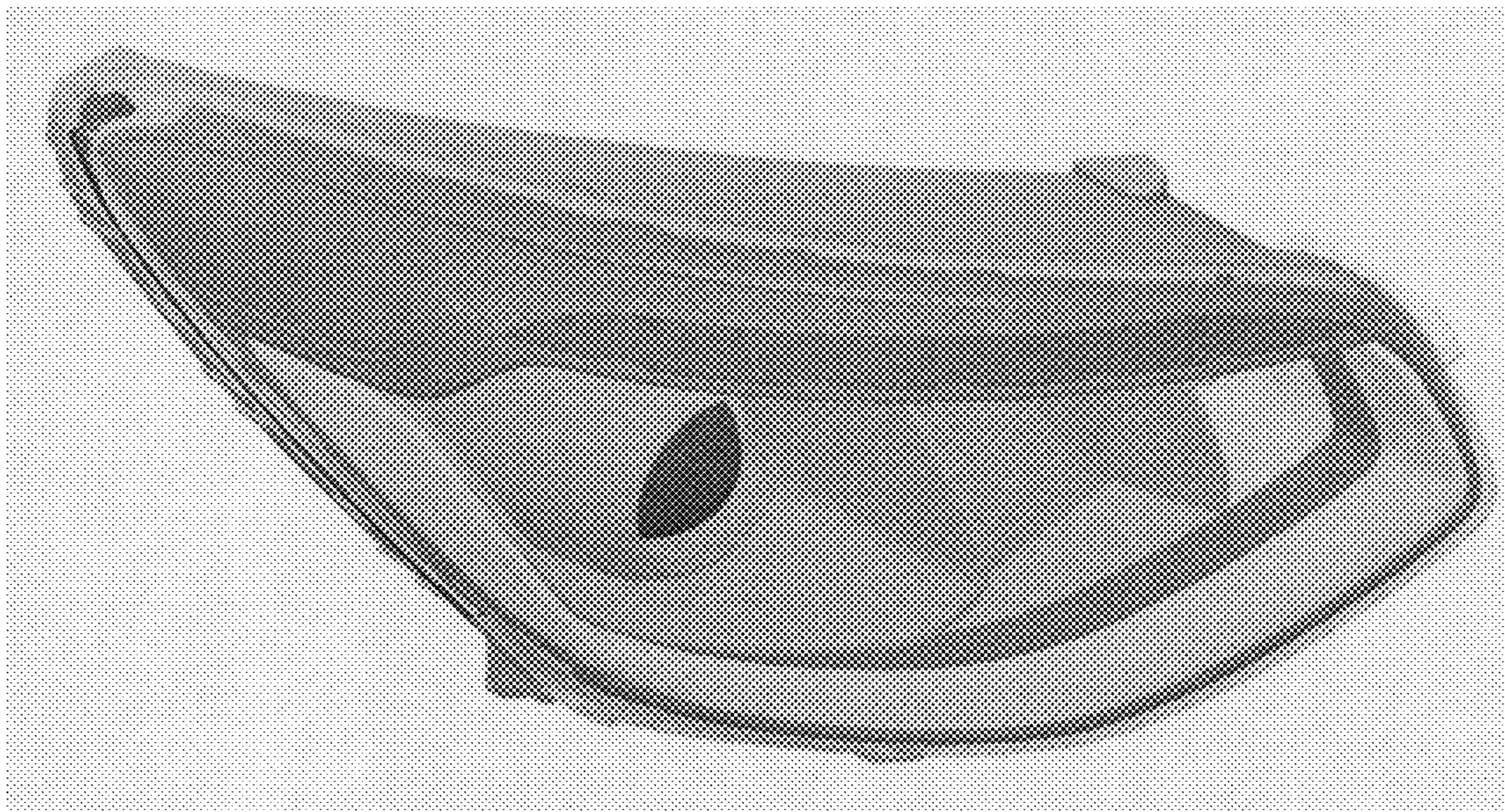


FIG. 2

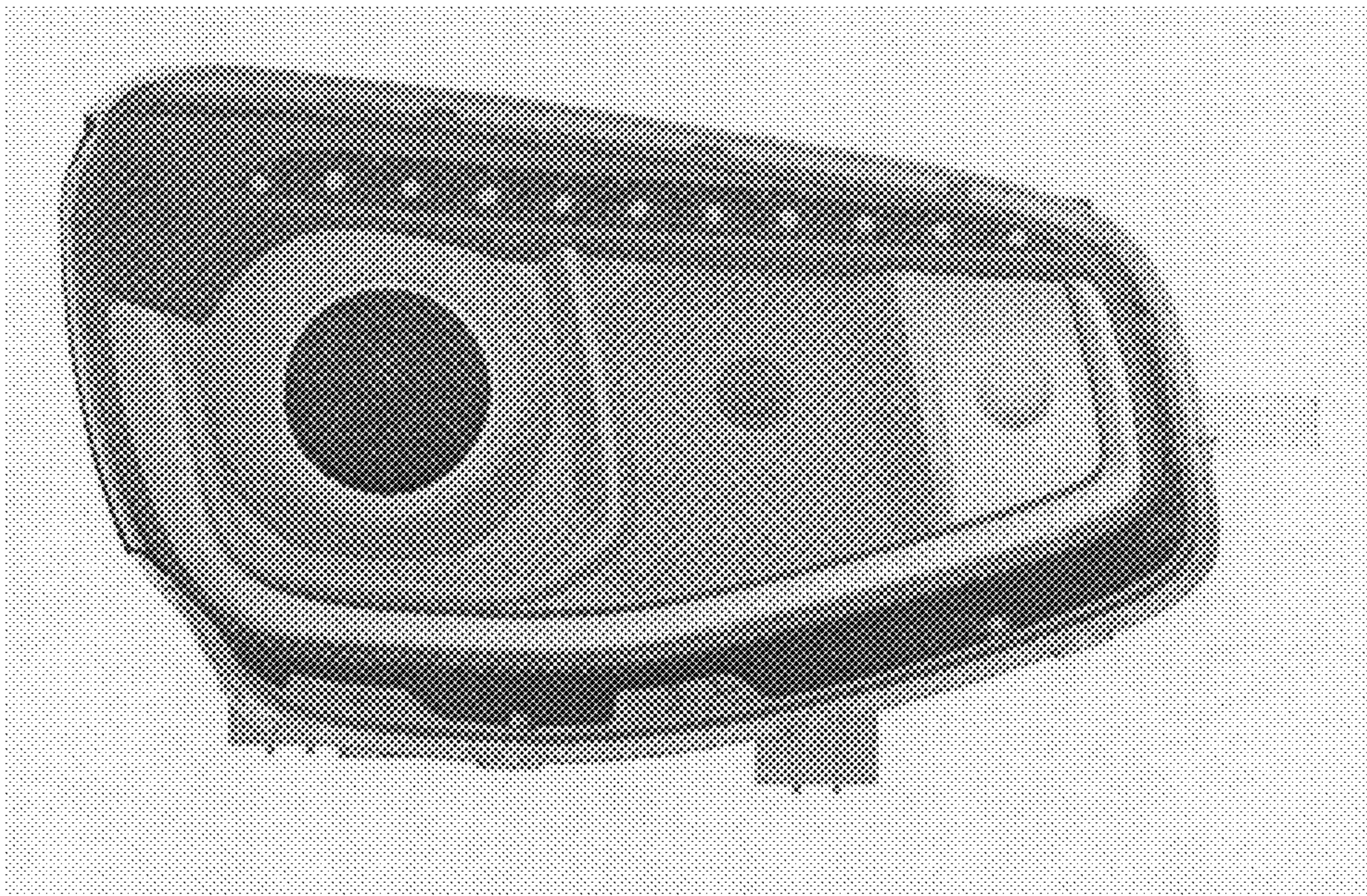


FIG. 3

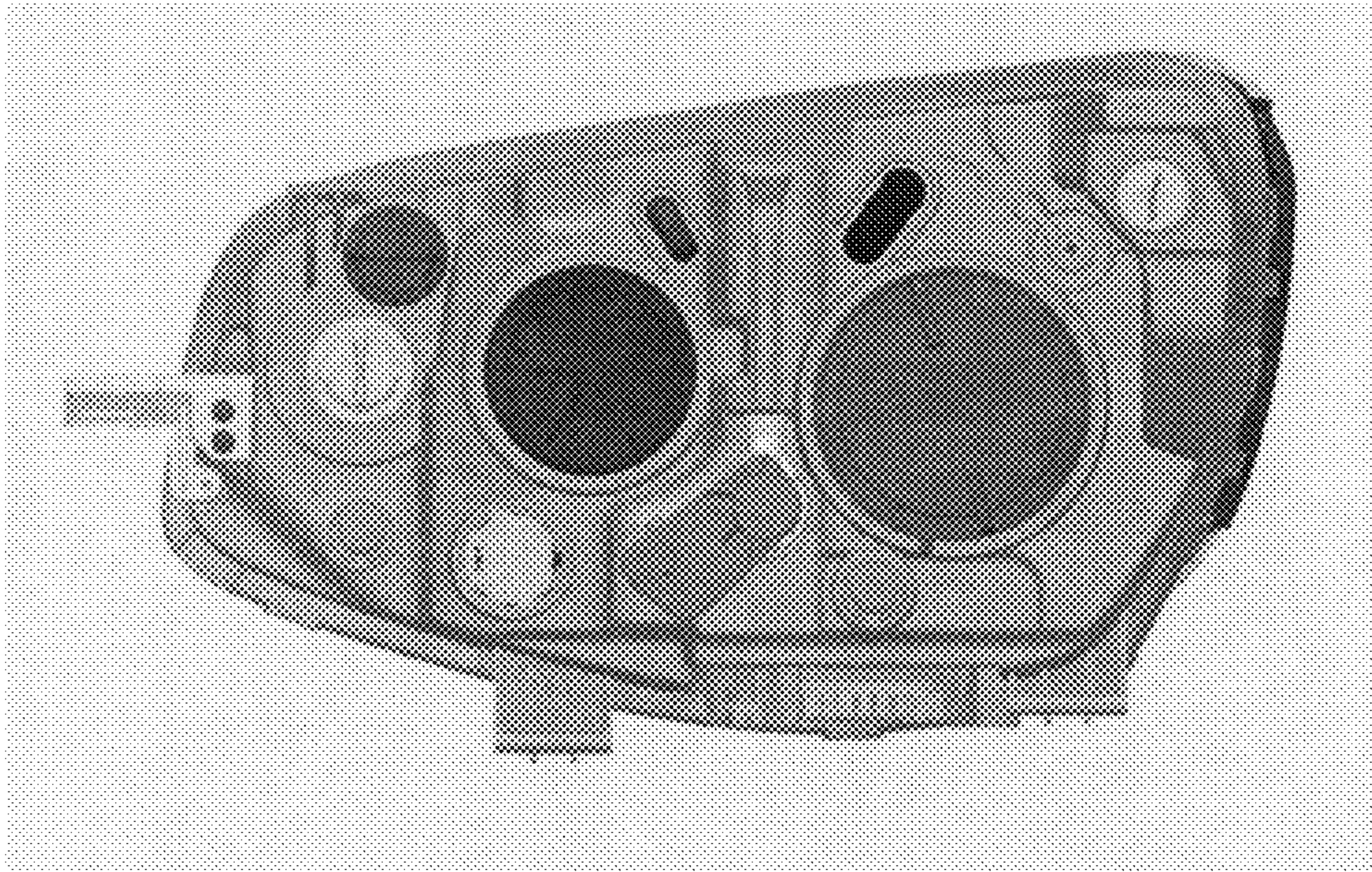


FIG. 4

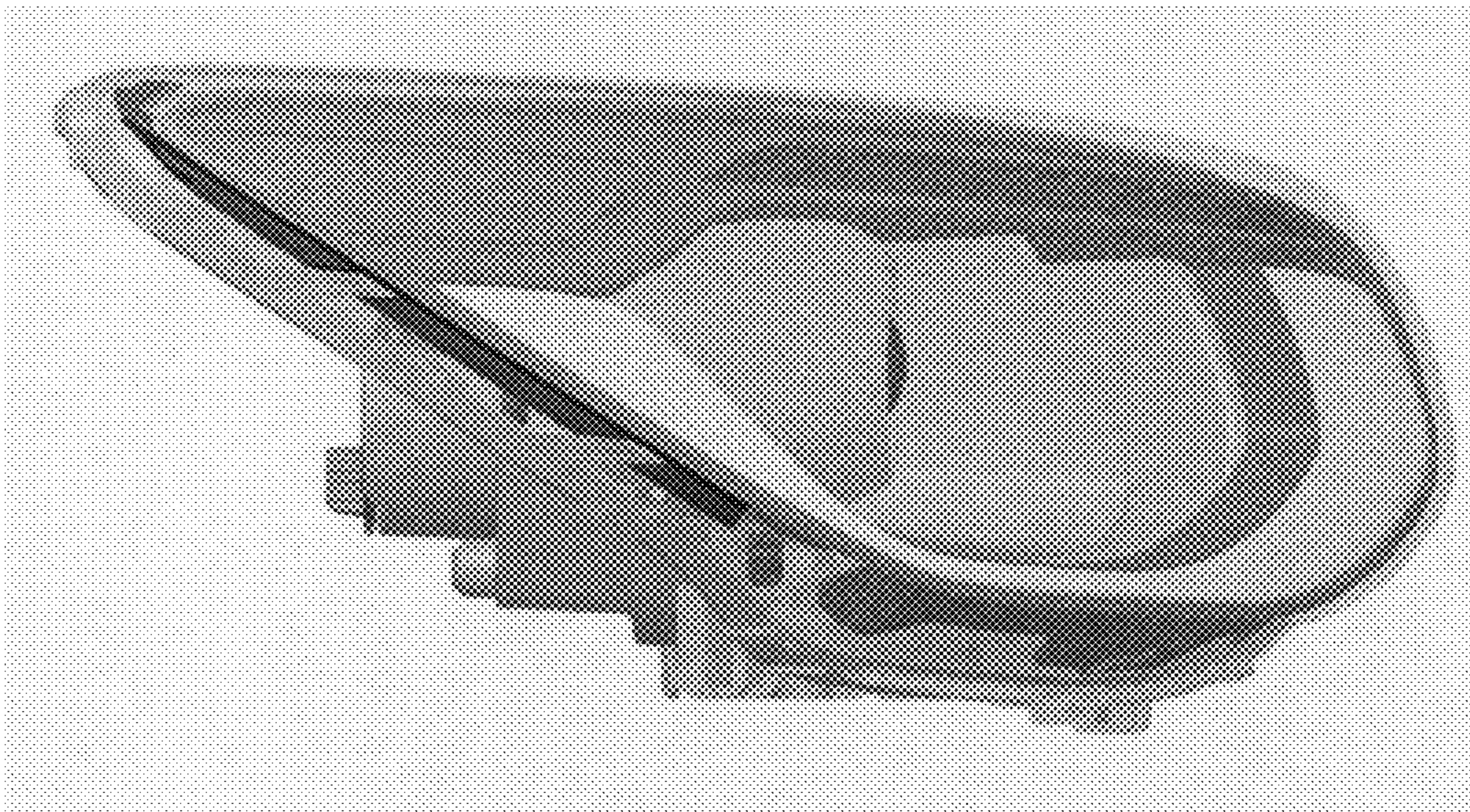


FIG. 5

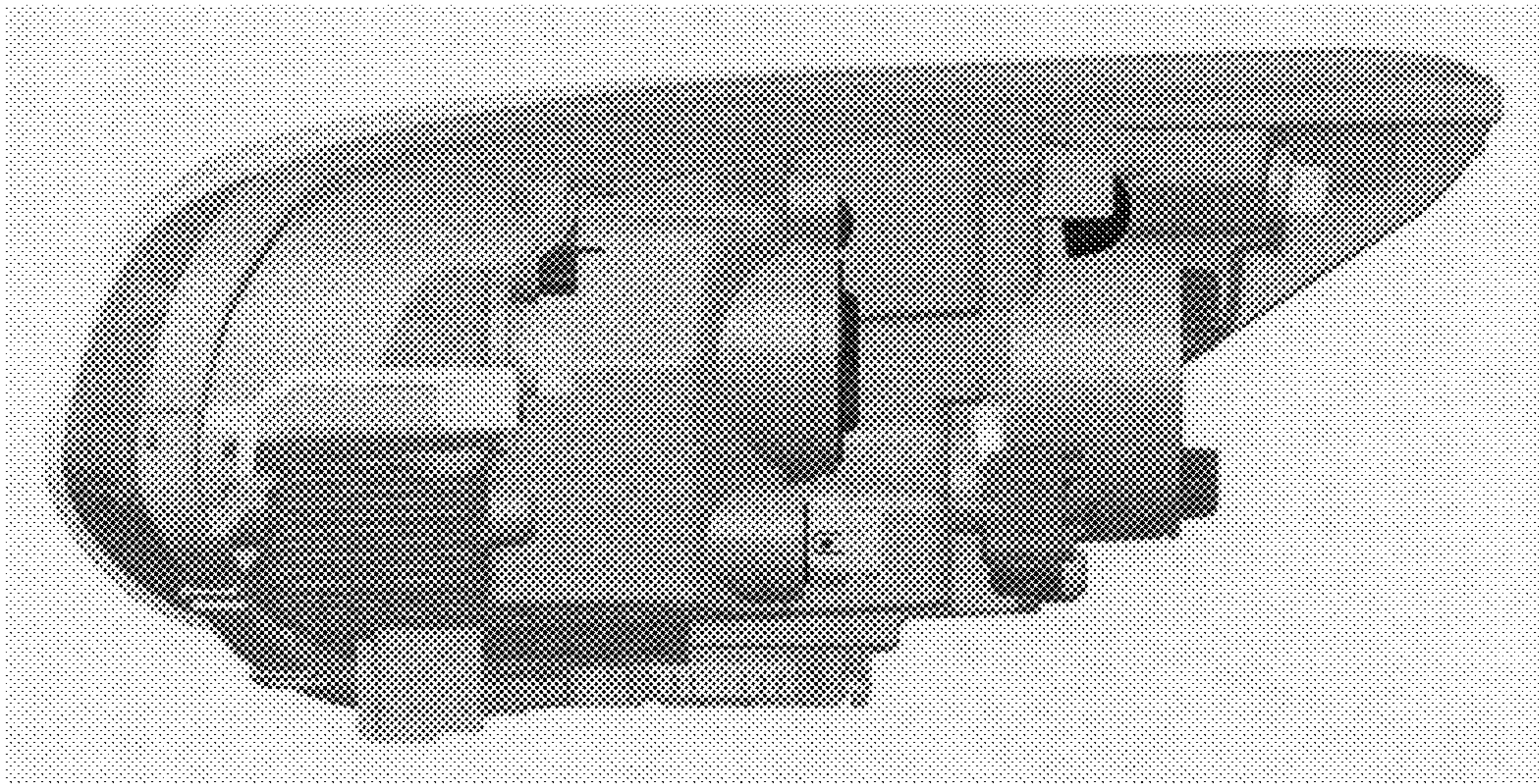


FIG. 6

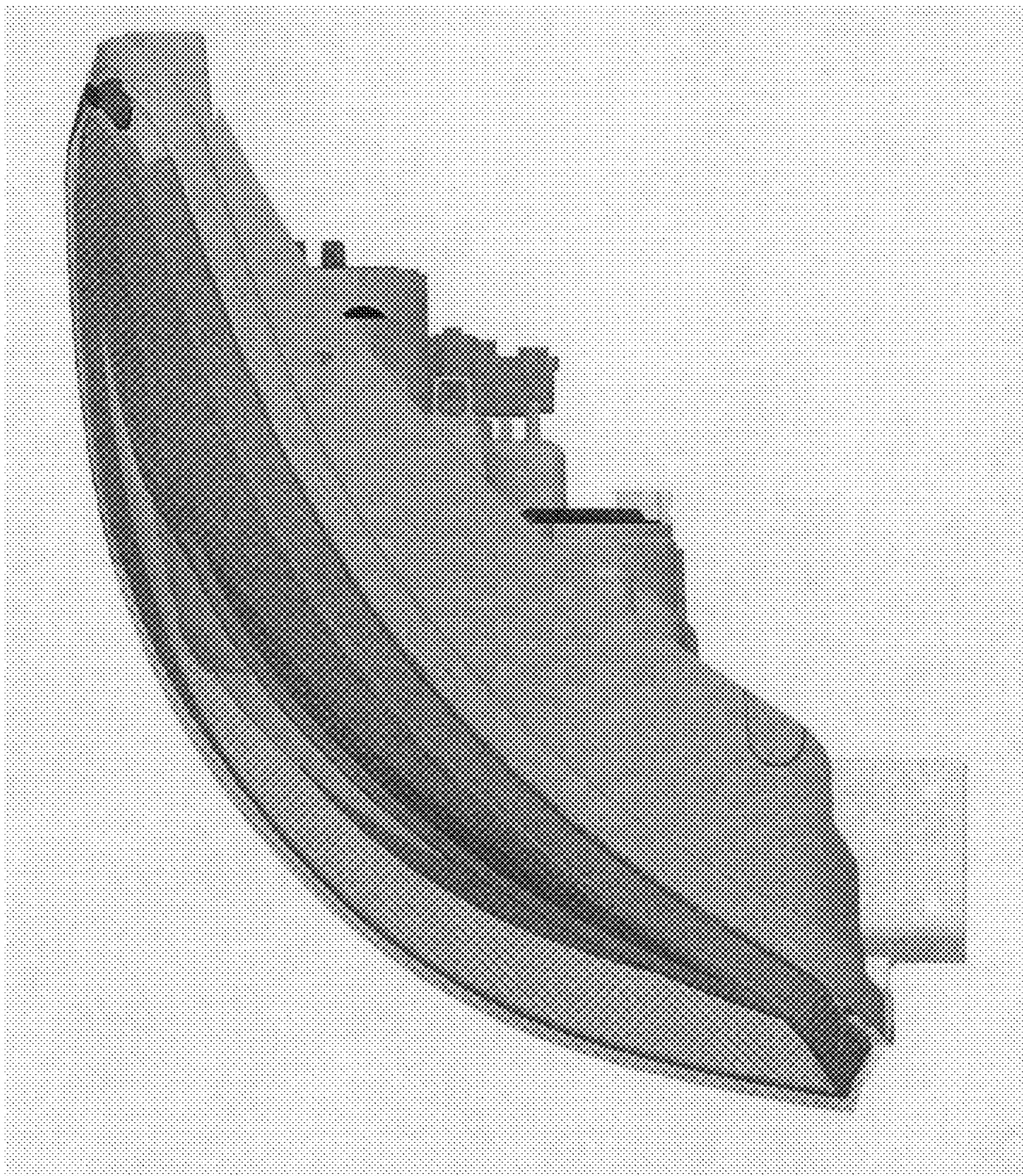


FIG. 7

