



US00D714972S

(12) **United States Design Patent**
Li et al.

(10) **Patent No.:** **US D714,972 S**
(45) **Date of Patent:** **** Oct. 7, 2014**

(54) **PORTION OF A LED LAMP**

(71) Applicants: **Chung-Chu Li**, New Taipei (TW);
Chin-Wei Chou, New Taipei (TW)

(72) Inventors: **Chung-Chu Li**, New Taipei (TW);
Chin-Wei Chou, New Taipei (TW)

(73) Assignees: **Cal-Comp Electronics & Communications Company Limited**, New Taipei (TW); **Kinpo Electronics, Inc.**, New Taipei (TW)

(**) Term: **14 Years**

(21) Appl. No.: **29/440,069**

(22) Filed: **Dec. 19, 2012**

(30) **Foreign Application Priority Data**

Aug. 13, 2012 (TW) 101304729

(51) **LOC (10) Cl.** **26-06**

(52) **U.S. Cl.**
USPC **D26/2**

(58) **Field of Classification Search**
USPC D26/1-4; 313/313, 315, 316, 317, 318,
313/493; 315/52, 53, 56, 57, 58

See application file for complete search history.

(56) **References Cited**

U.S. PATENT DOCUMENTS

D617,915 S * 6/2010 Wada et al. D26/2
D617,918 S * 6/2010 Yamamoto et al. D26/2
D620,155 S * 7/2010 Wang et al. D26/2

* cited by examiner

Primary Examiner — Marcus Jackson

(74) *Attorney, Agent, or Firm* — Jianq Chyun IP Office

(57) **CLAIM**

The ornamental design for a portion of a LED lamp, as shown and described.

DESCRIPTION

FIG. 1 is a perspective view of a portion of a LED lamp showing our new design;

FIG. 2 is a front view thereof;

FIG. 3 is a rear view thereof;

FIG. 4 is a left side view thereof;

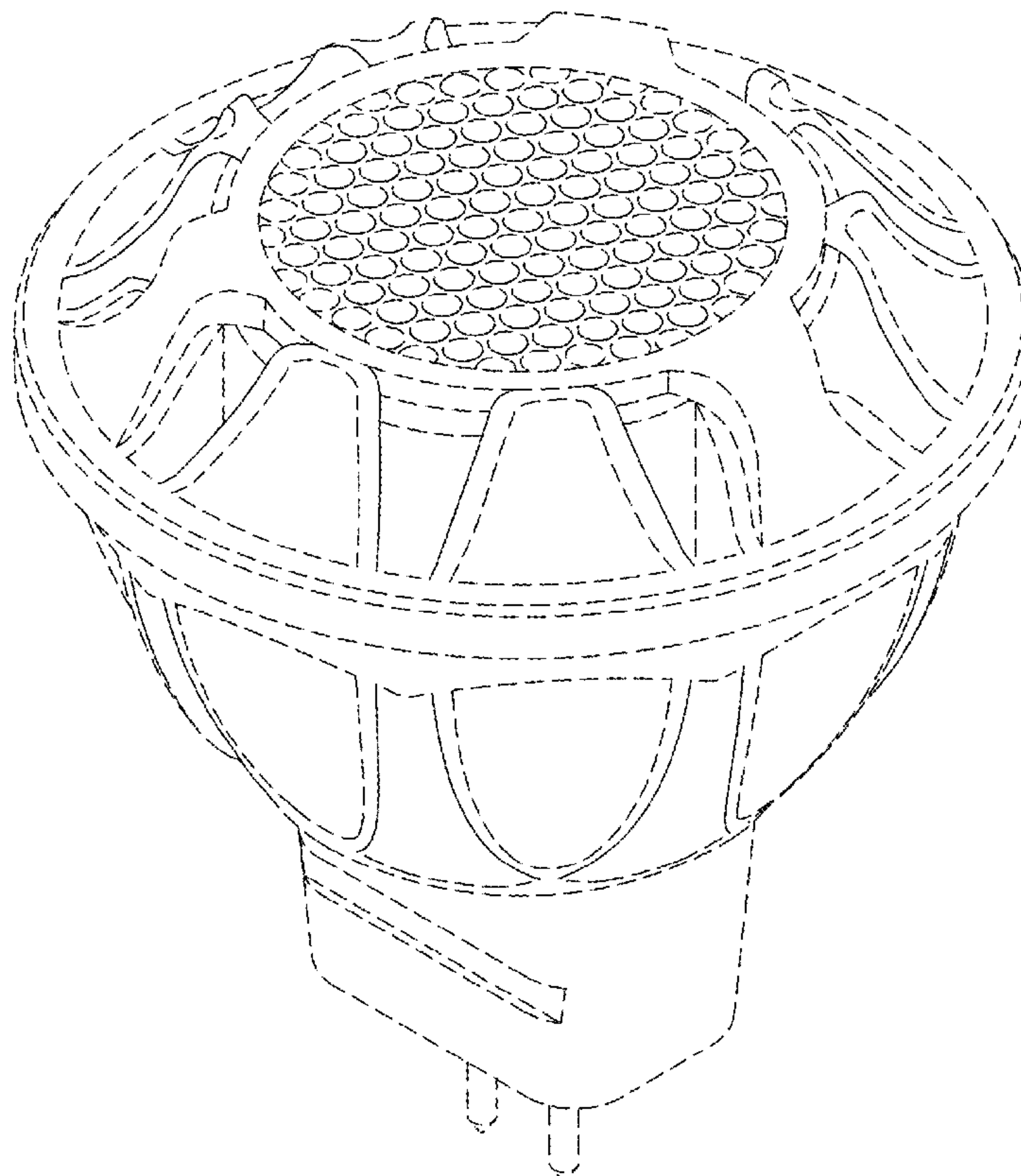
FIG. 5 is a right side view thereof;

FIG. 6 is a top view thereof; and,

FIG. 7 is a bottom view thereof.

The broken line portions of the LED lamp in all views represent unclaimed portions of the claimed design and form no part thereof.

1 Claim, 7 Drawing Sheets



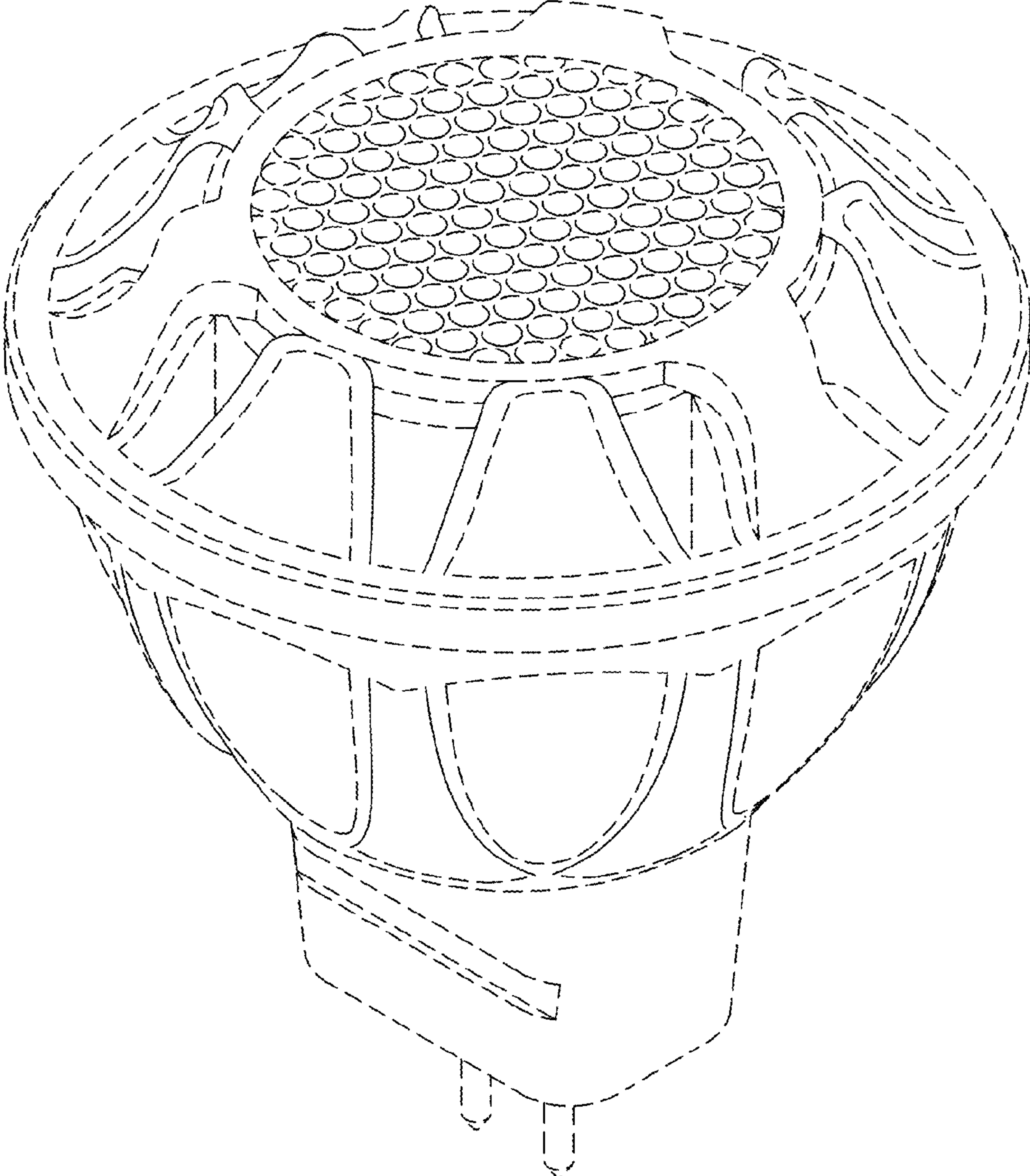


FIG. 1

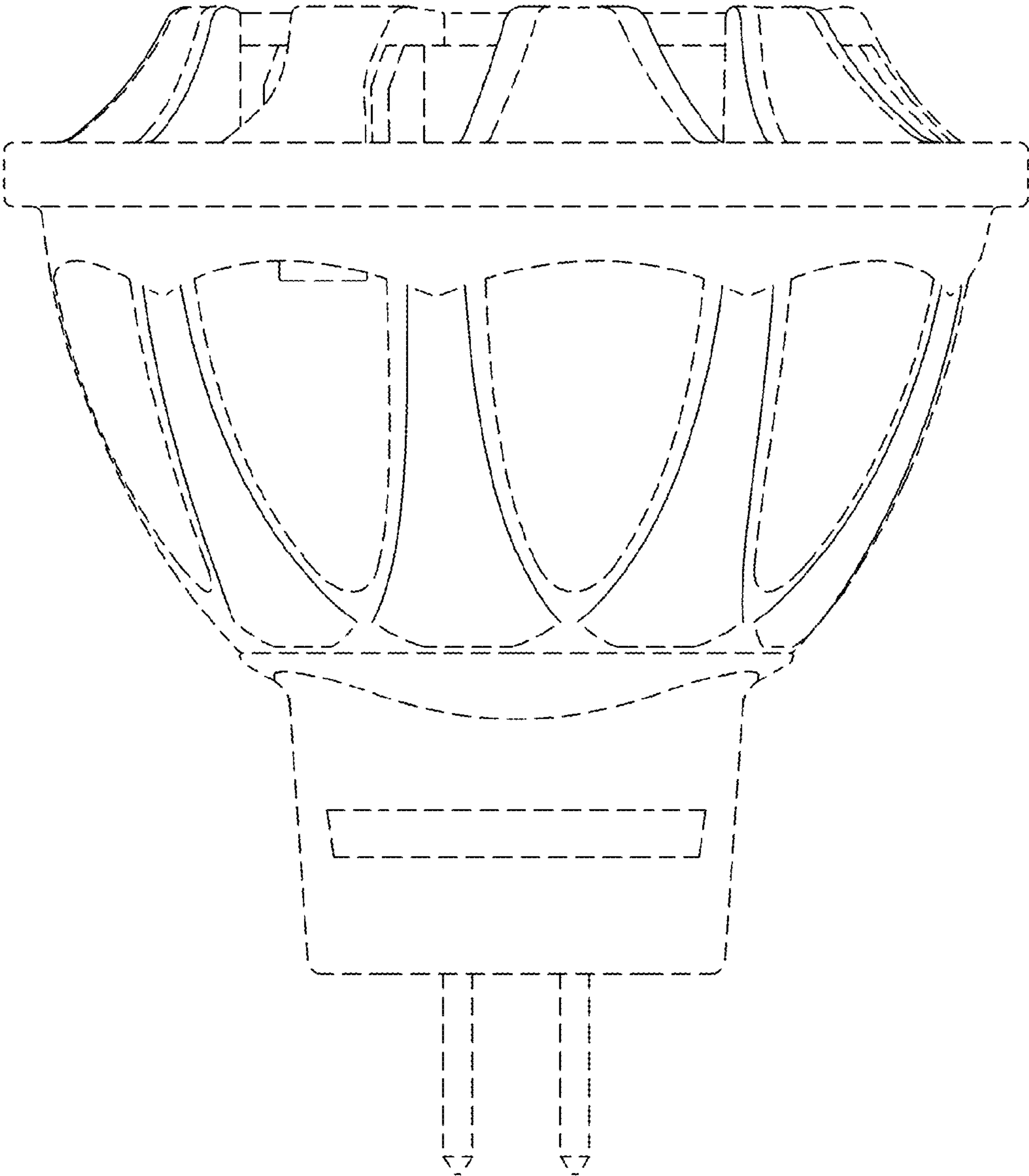


FIG. 2

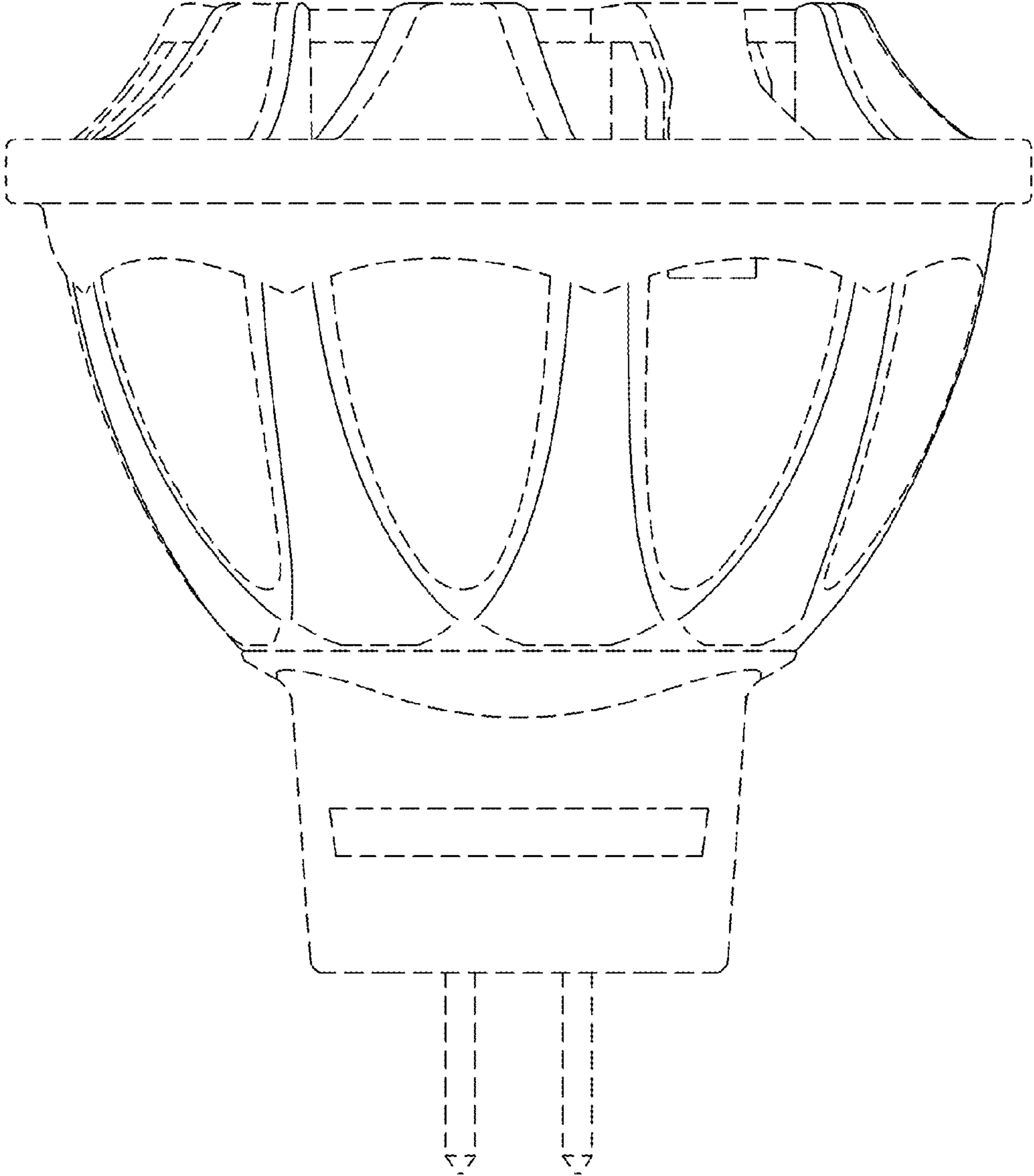


FIG. 3

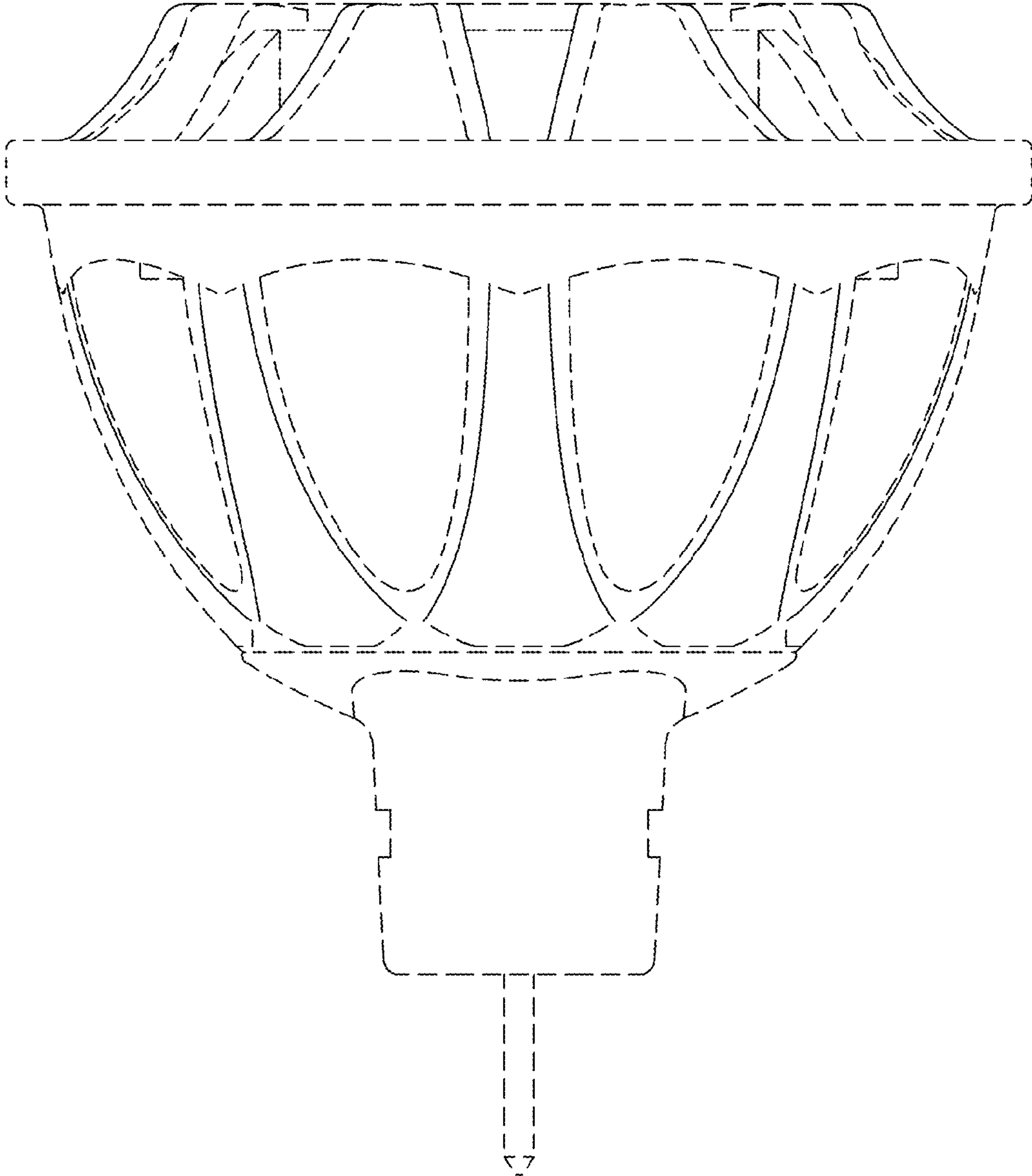


FIG. 4

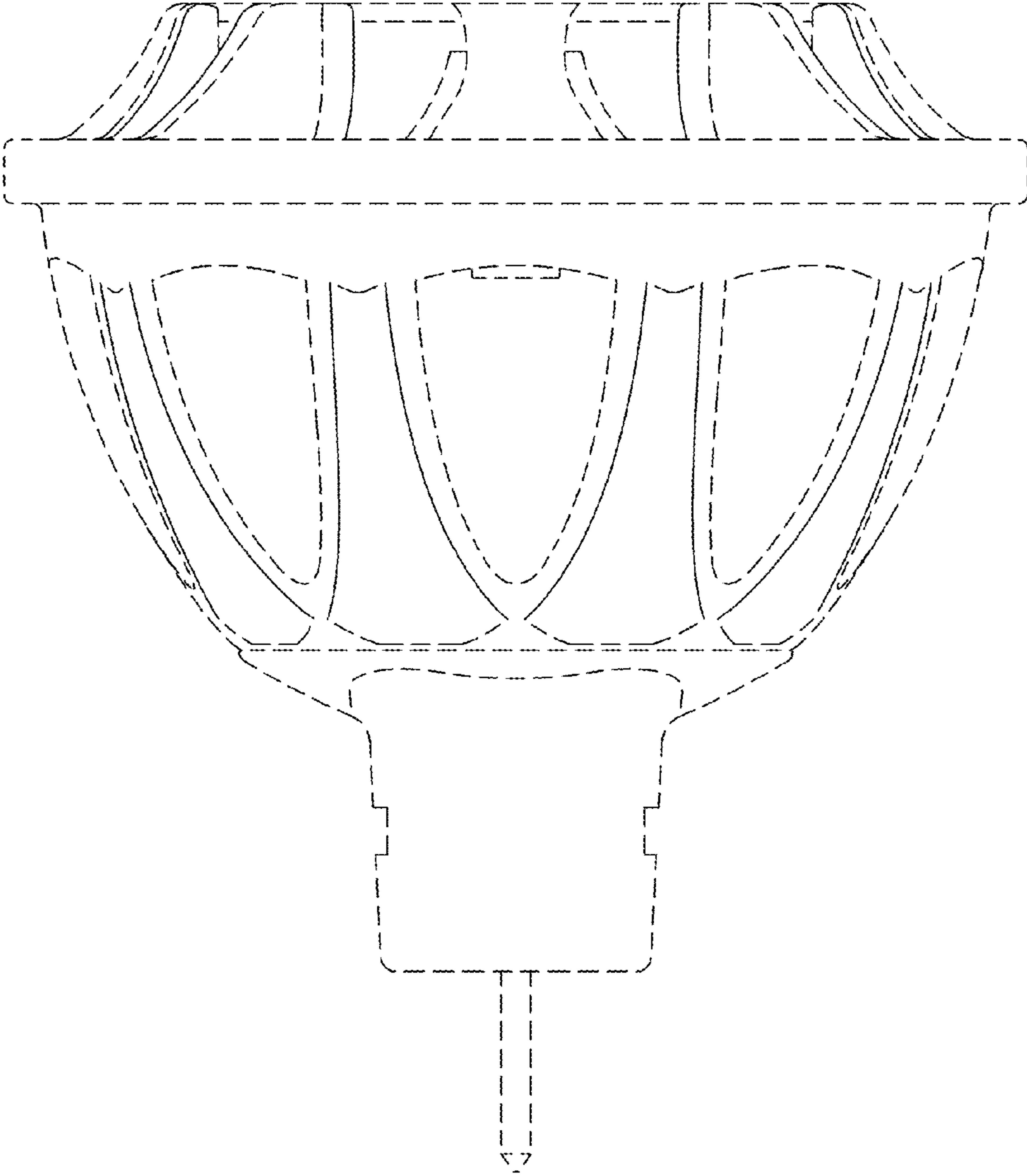


FIG. 5

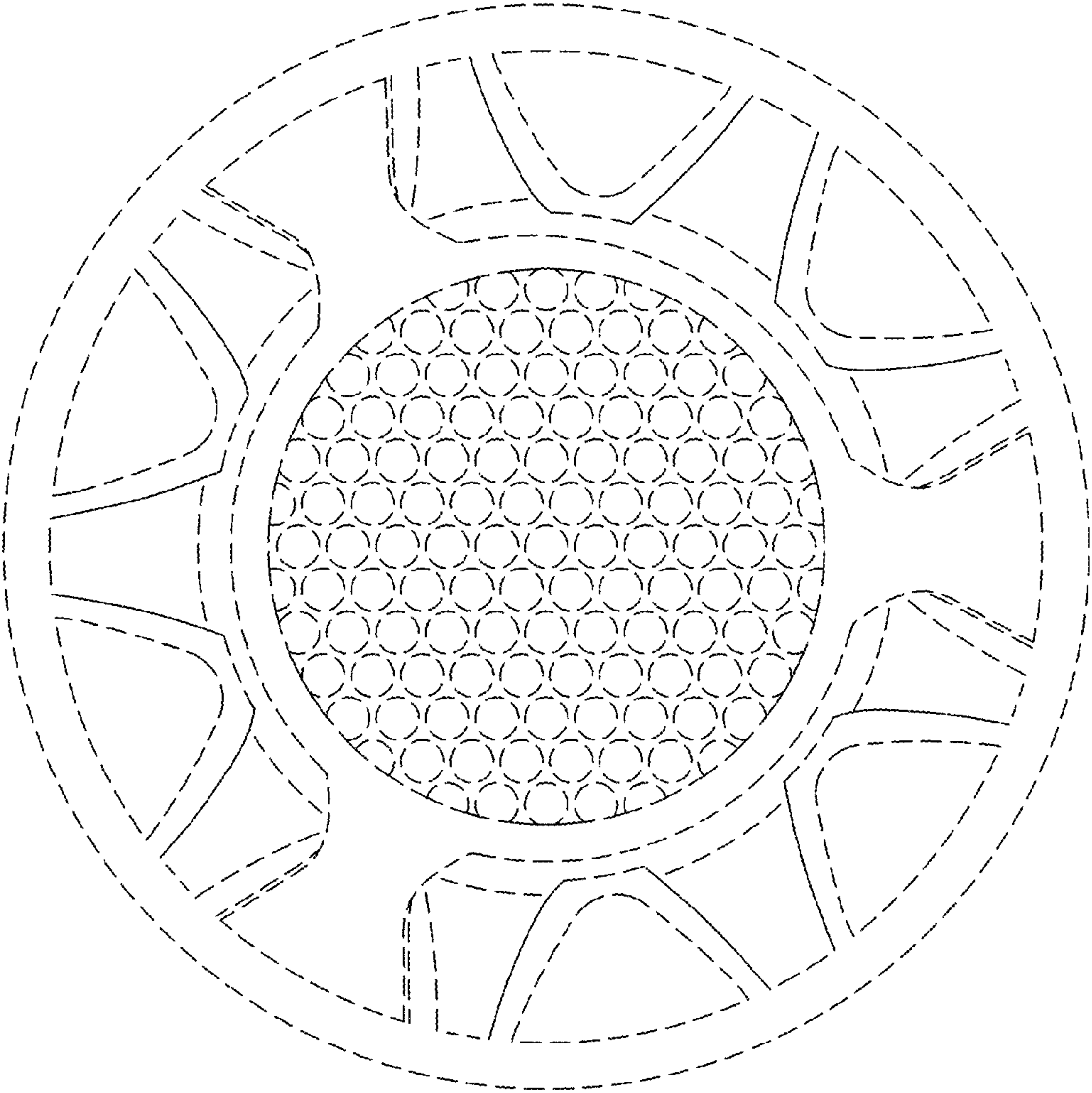


FIG. 6

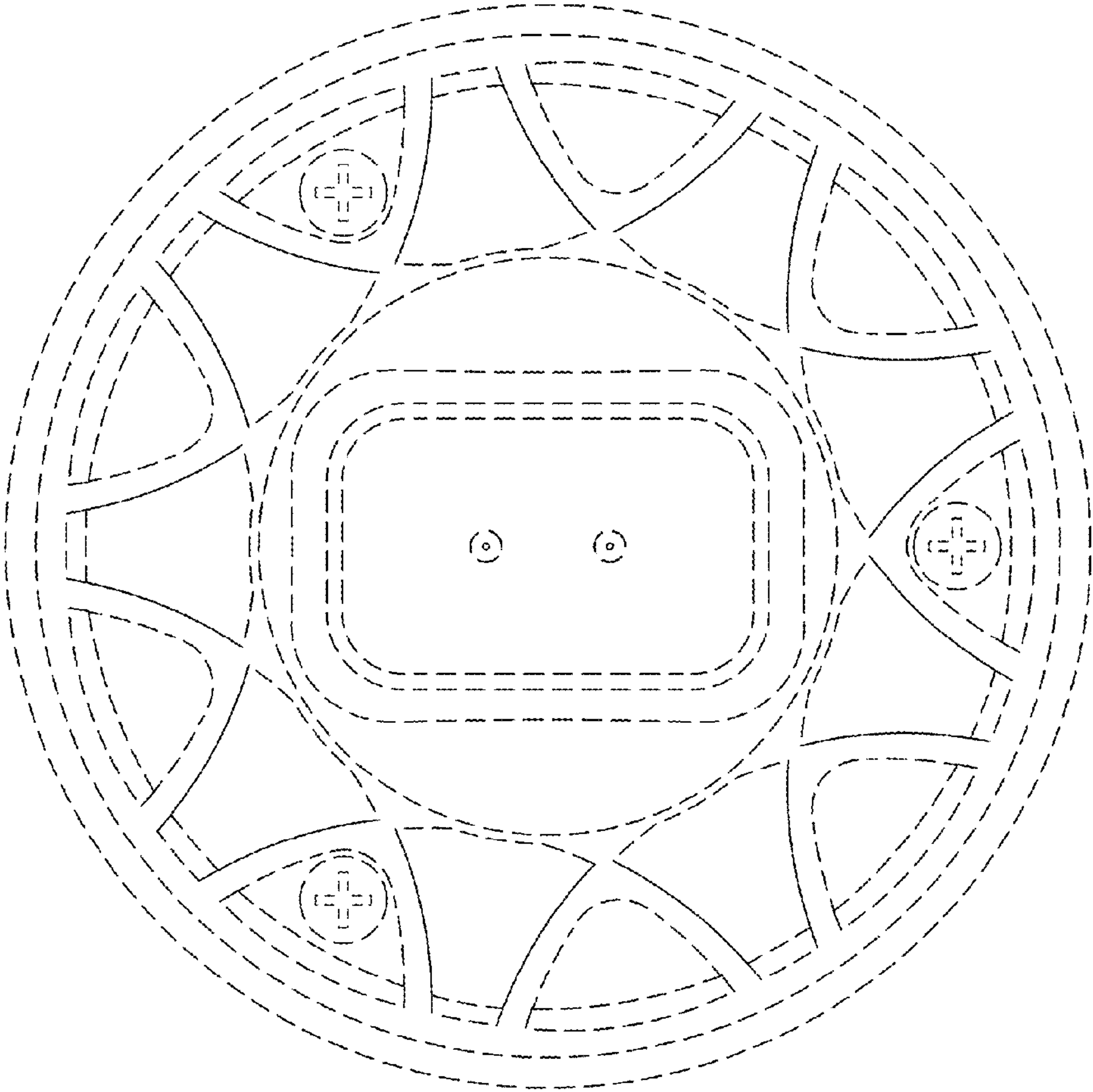


FIG. 7