



US00D714970S

(12) **United States Design Patent**  
**Wu et al.**

(10) **Patent No.:** **US D714,970 S**

(45) **Date of Patent:** **\*\* Oct. 7, 2014**

(54) **LAMP HOUSING**

(75) Inventors: **Shun-Ho Wu**, Kaohsiung (TW);  
**Chih-Cheng Huang**, Kaohsiung (TW)

(73) Assignee: **Taiwan Fu Hsing Industrial Co., Ltd.**,  
Kaohsiung (TW)

(\*\*) Term: **14 Years**

(21) Appl. No.: **29/414,082**

(22) Filed: **Feb. 24, 2012**

(30) **Foreign Application Priority Data**

Feb. 4, 2012 (TW) ..... 101300530

(51) **LOC (10) Cl.** ..... **26-04**

(52) **U.S. Cl.**  
USPC ..... **D26/2; D26/118**

(58) **Field of Classification Search**  
USPC ..... D26/1, 2, 5-7, 26, 74, 80-85, 88, 89,  
D26/93, 106, 113, 118-120; D8/16, 19, 20,  
D8/302, 317; D28/91.2; 362/216, 217.01,  
362/217.07, 235, 362, 373, 294; 601/137;  
313/313, 315-317, 318.01, 318.09,  
313/318.1, 318.11, 318.12; 315/52, 53,  
315/56-58

See application file for complete search history.

(56) **References Cited**

**U.S. PATENT DOCUMENTS**

4,508,772	A *	4/1985	Churchland et al.	.....	428/106
D313,669	S *	1/1991	Sonneman	.....	D26/85
5,343,111	A *	8/1994	Miwa et al.	.....	313/313
D455,161	S *	4/2002	Choi	.....	D15/89
D587,982	S *	3/2009	Mattson et al.	.....	D8/317
D598,269	S *	8/2009	Hanes	.....	D8/317
D614,012	S *	4/2010	Saubert et al.	.....	D8/317
D614,013	S *	4/2010	Saubert et al.	.....	D8/317

D642,319	S *	7/2011	Sprengers	.....	D26/85
D642,891	S *	8/2011	Roe et al.	.....	D8/317
D656,502	S *	3/2012	Cacioppo et al.	.....	D14/453
8,246,215	B2 *	8/2012	Lu et al.	.....	362/294
D668,927	S *	10/2012	Matei et al.	.....	D8/302
8,282,230	B2 *	10/2012	Stewart et al.	.....	362/373
8,434,917	B2 *	5/2013	Lai	.....	362/373
8,444,299	B2 *	5/2013	Chou et al.	.....	362/373
D685,236	S *	7/2013	Barnhart et al.	.....	D8/19
2013/0100682	A1 *	4/2013	Hsiung	.....	362/373
2013/0188367	A1 *	7/2013	Wu et al.	.....	362/362
2013/0294071	A1 *	11/2013	Boomgaarden et al.	.....	362/235
2013/0335982	A1 *	12/2013	Wu et al.	.....	362/382
2013/0343064	A1 *	12/2013	Wu et al.	.....	362/373

\* cited by examiner

*Primary Examiner* — Garth Rademaker

*Assistant Examiner* — Llorellys Martinez-Revira

(74) *Attorney, Agent, or Firm* — Jackson IPG PLLC

(57) **CLAIM**

The ornamental design for a lamp housing, as shown and described.

**DESCRIPTION**

FIG. 1 is a perspective view of a lamp housing showing our new design;

FIG. 2 is a front elevational view thereof;

FIG. 3 is a top plan view thereof;

FIG. 4 is a right side elevational view thereof;

FIG. 5 is a left side elevational view thereof;

FIG. 6 is a rear elevational view thereof;

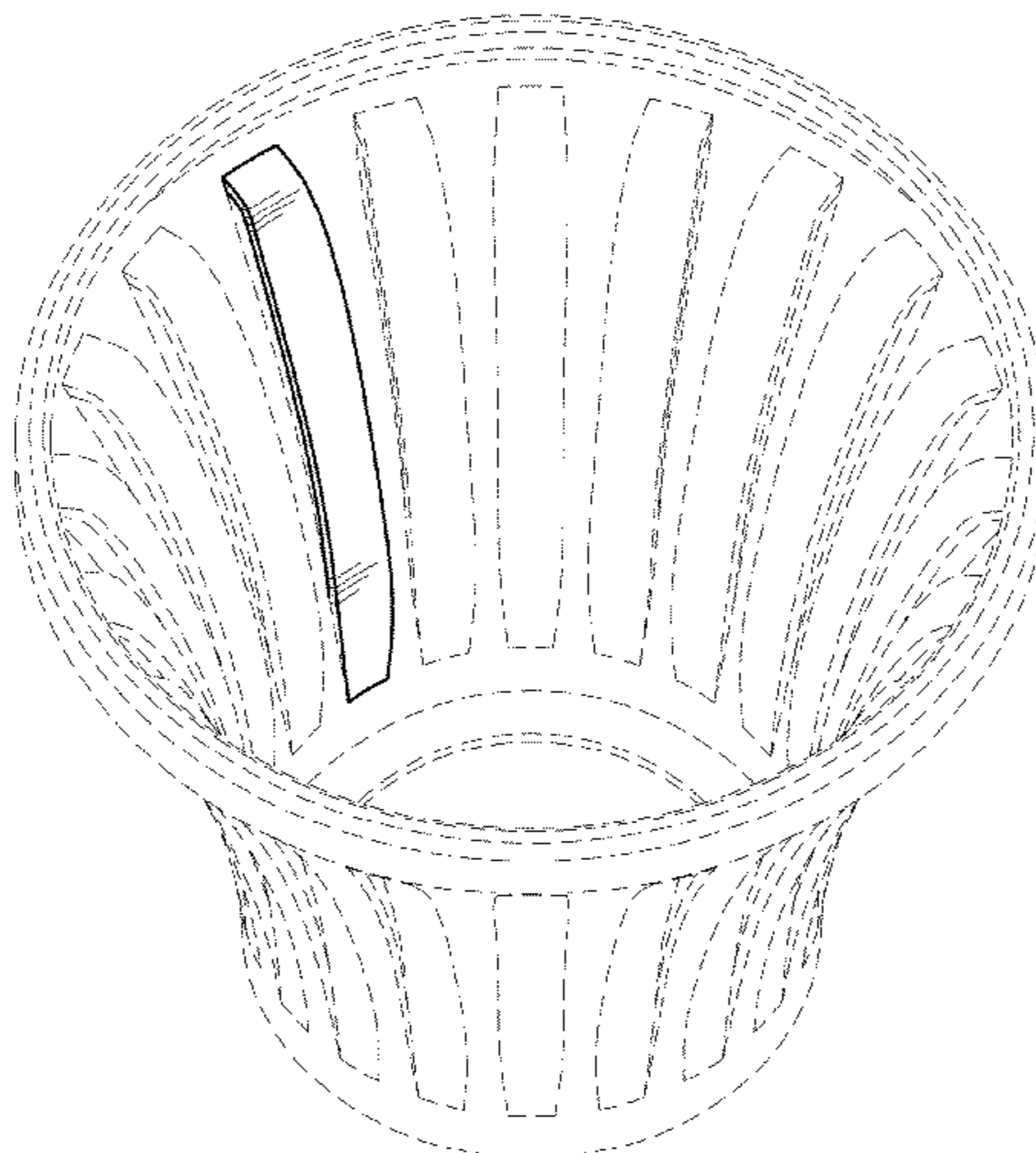
FIG. 7 is a bottom plan view thereof;

FIG. 8 is a cross-sectional view thereof, taken along line 8-8 in FIG. 2; and,

FIG. 9 is a cross-sectional view thereof, taken along line 9-9 in FIG. 3.

The broken lines shown in the drawings depict environmental subject matter only and form no part of the claimed design.

**1 Claim, 5 Drawing Sheets**



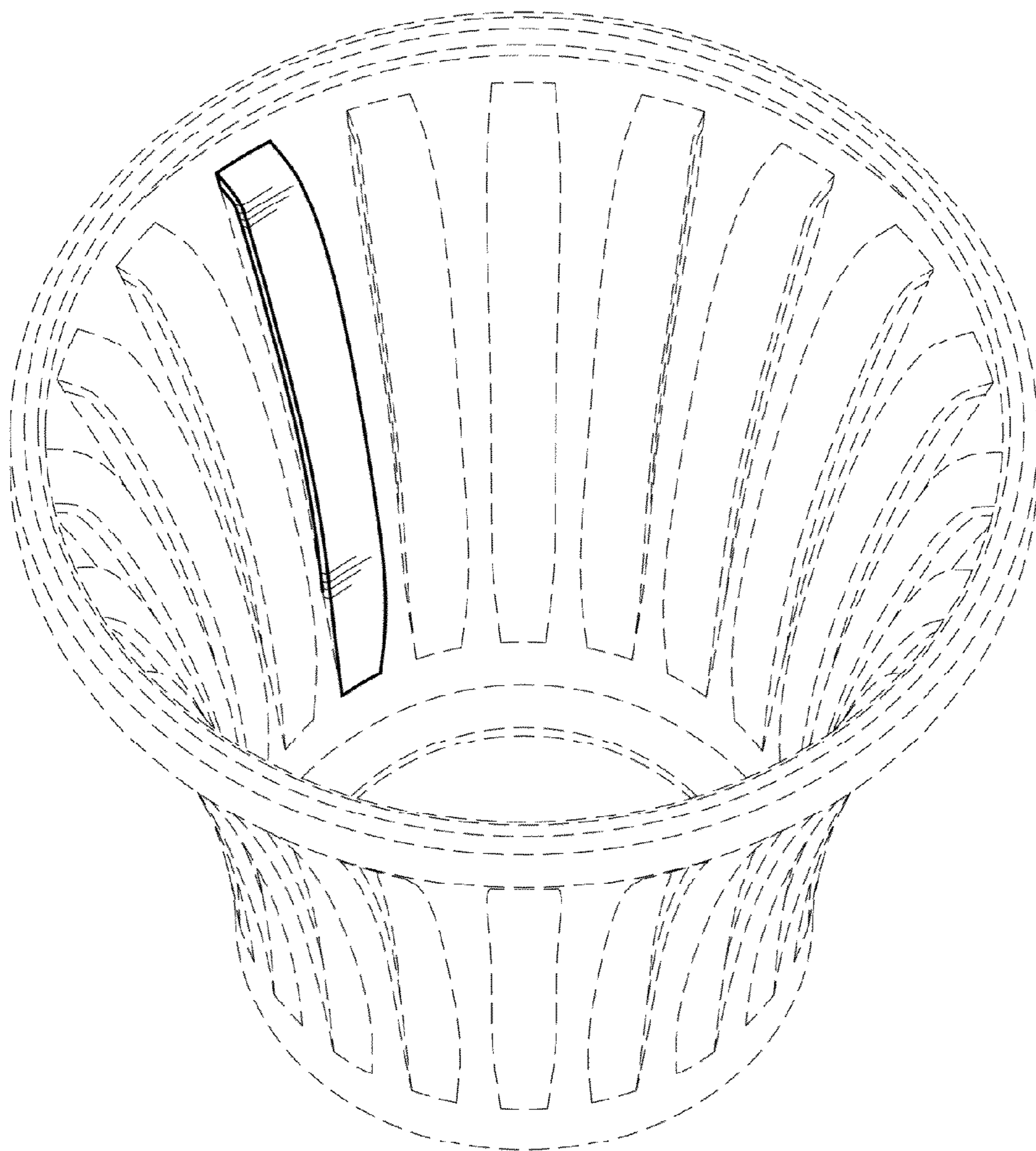


FIG. 1

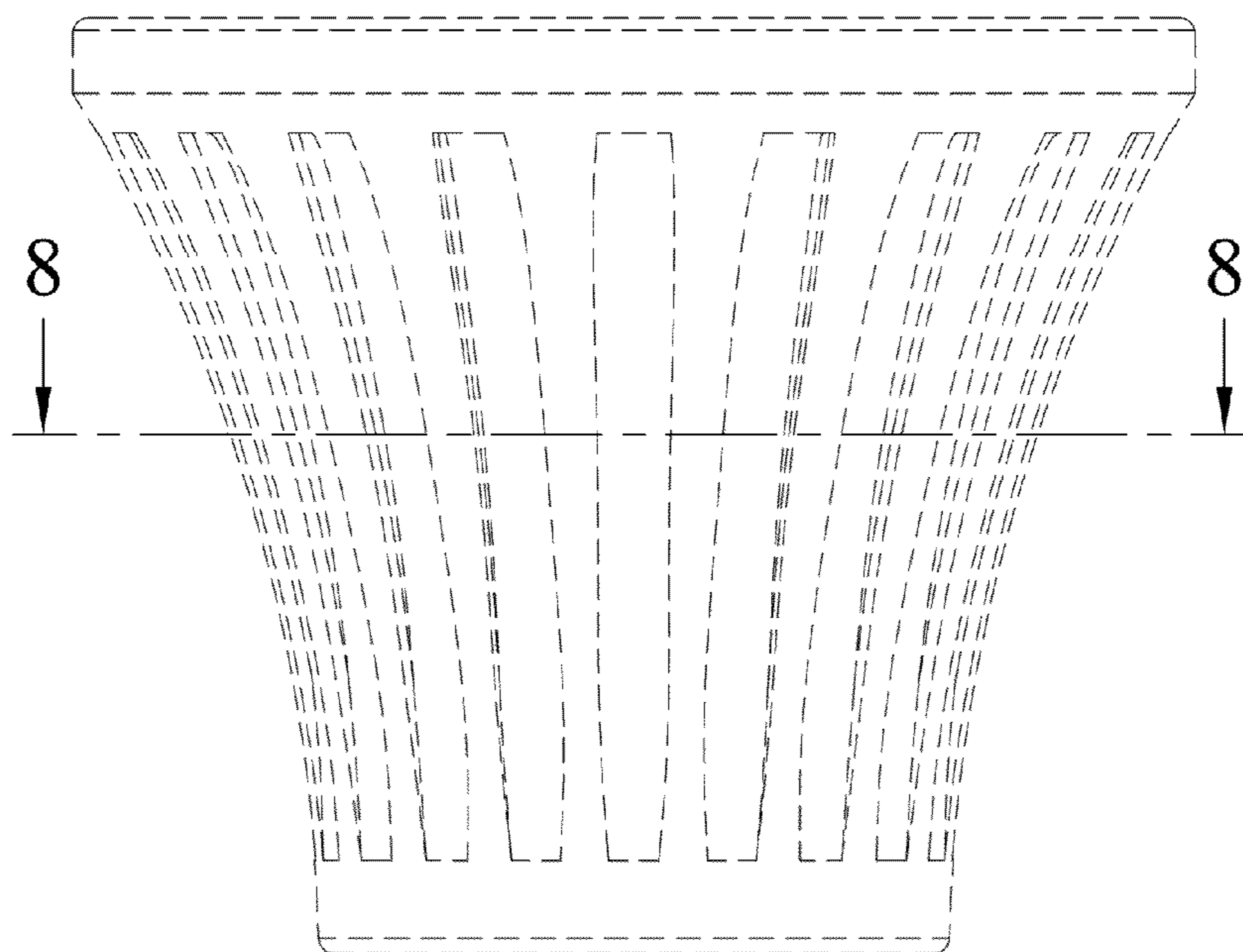


FIG. 2

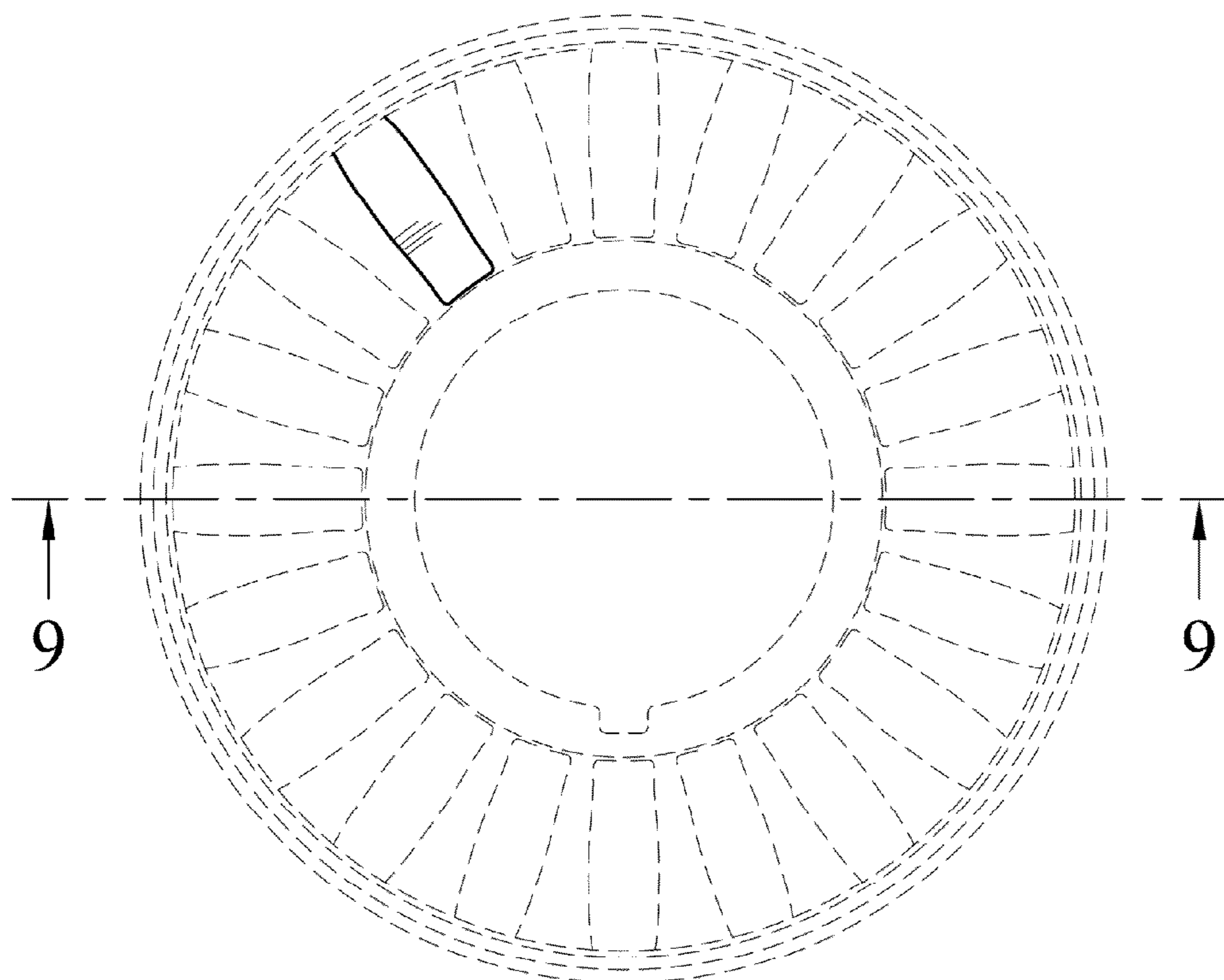


FIG. 3

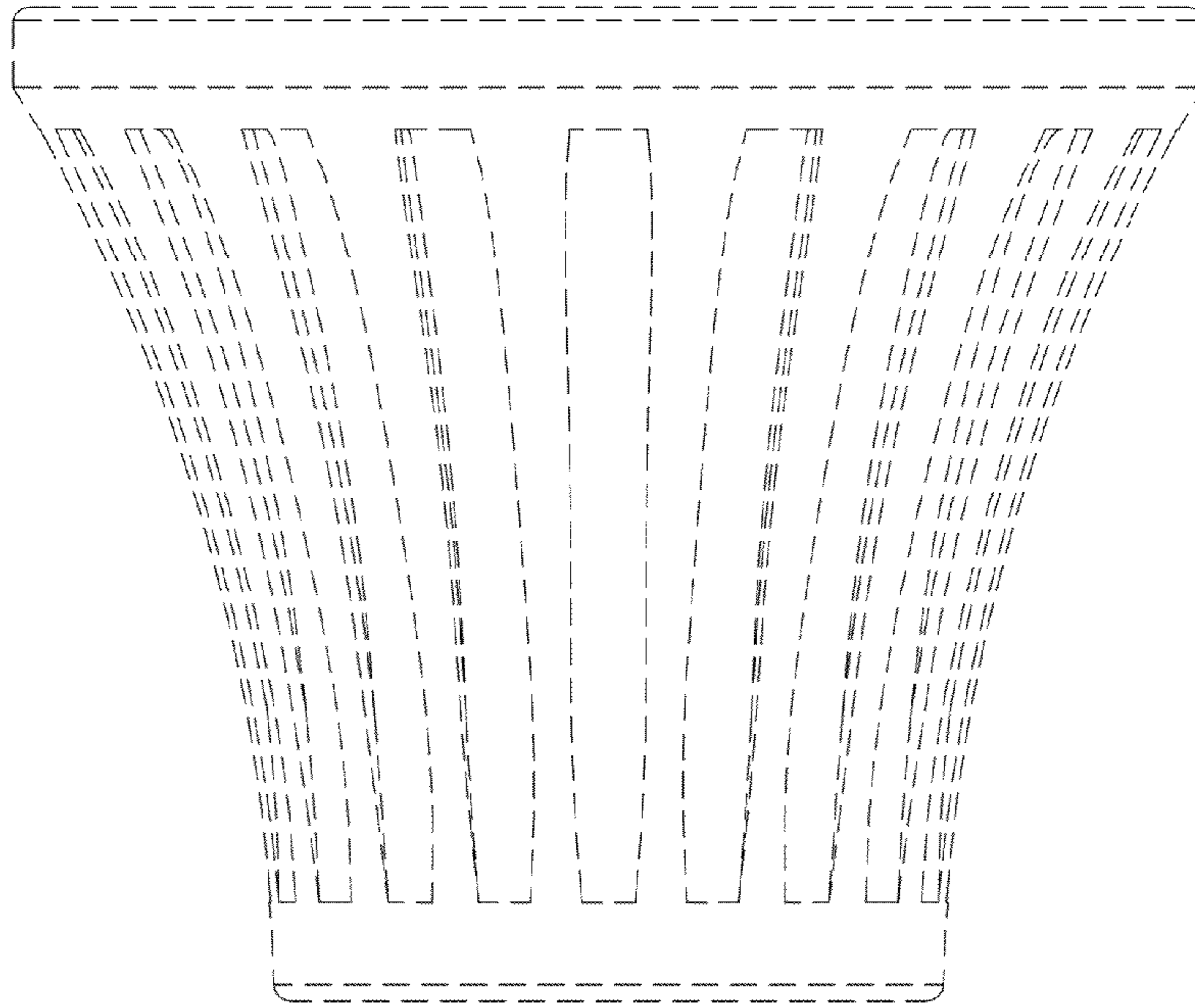


FIG. 4

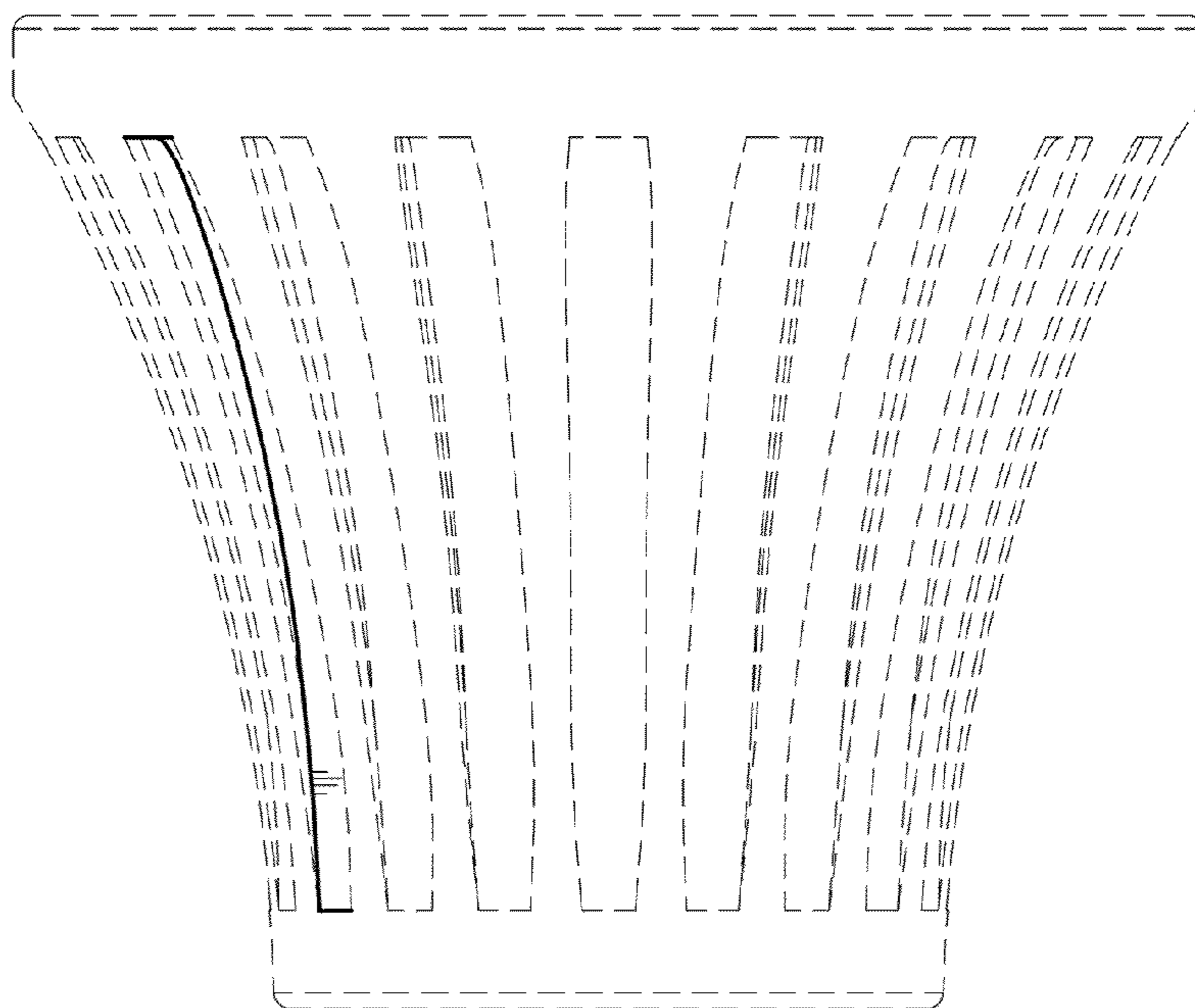


FIG. 5

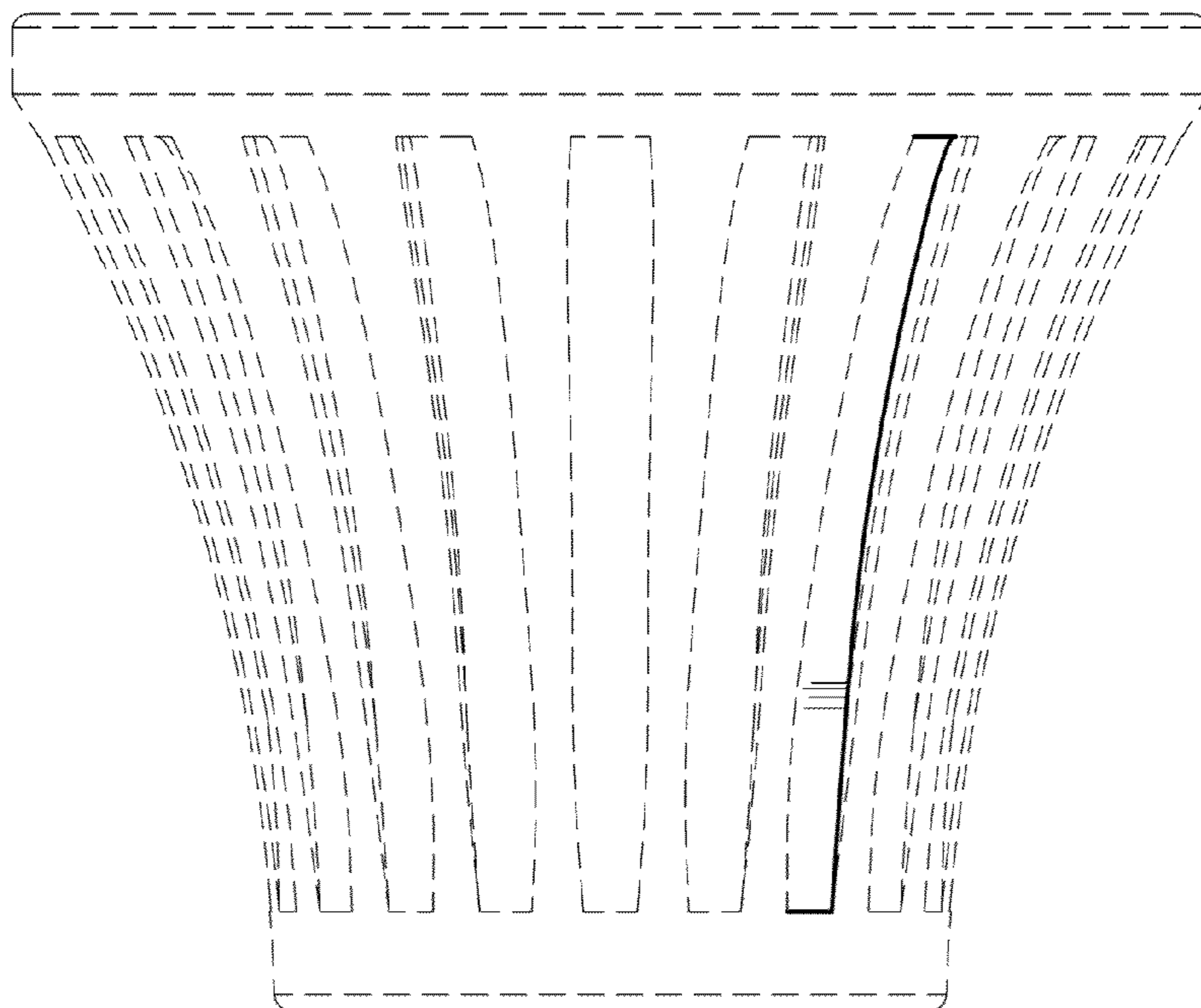


FIG. 6

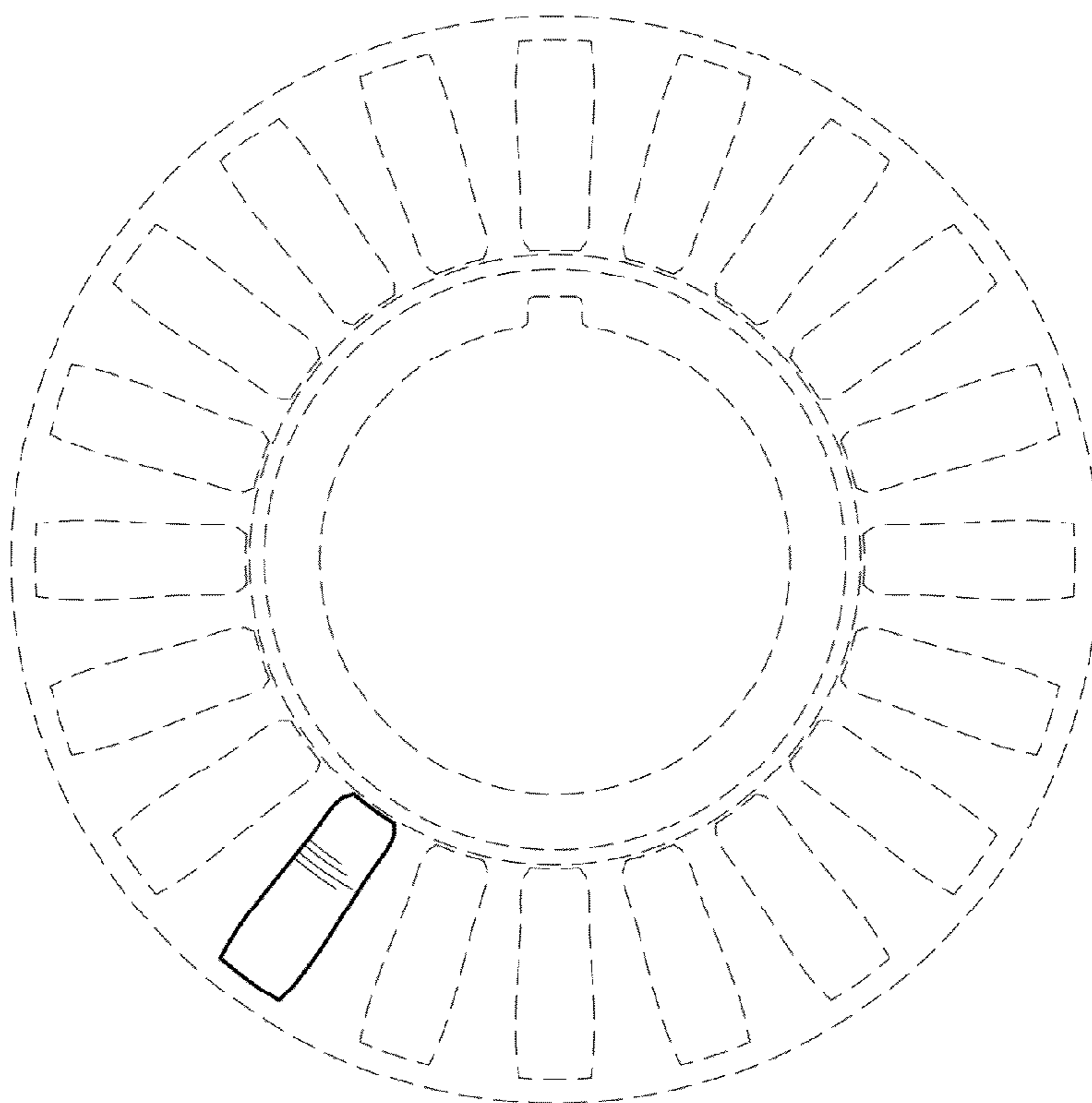


FIG. 7

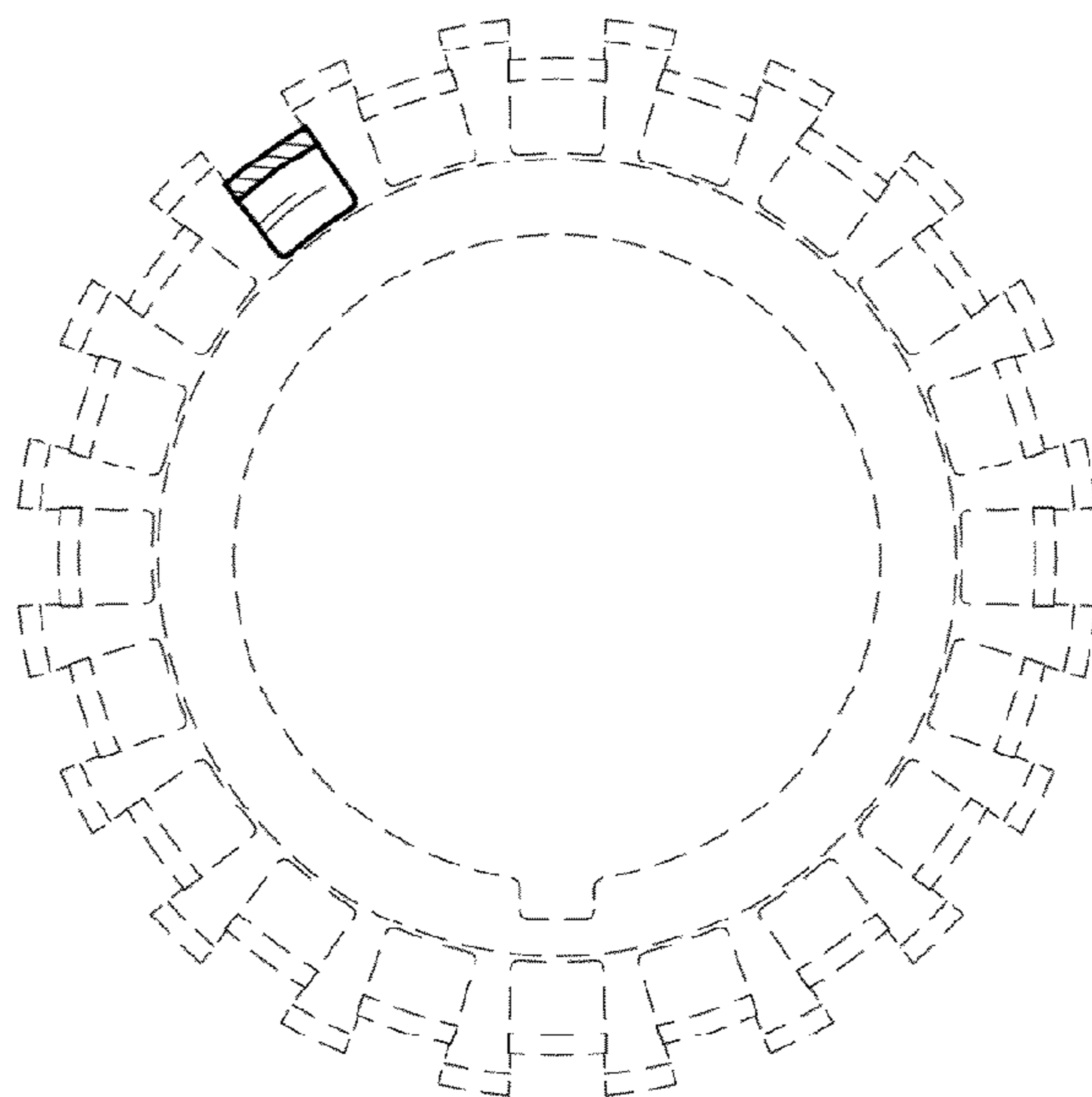


FIG. 8

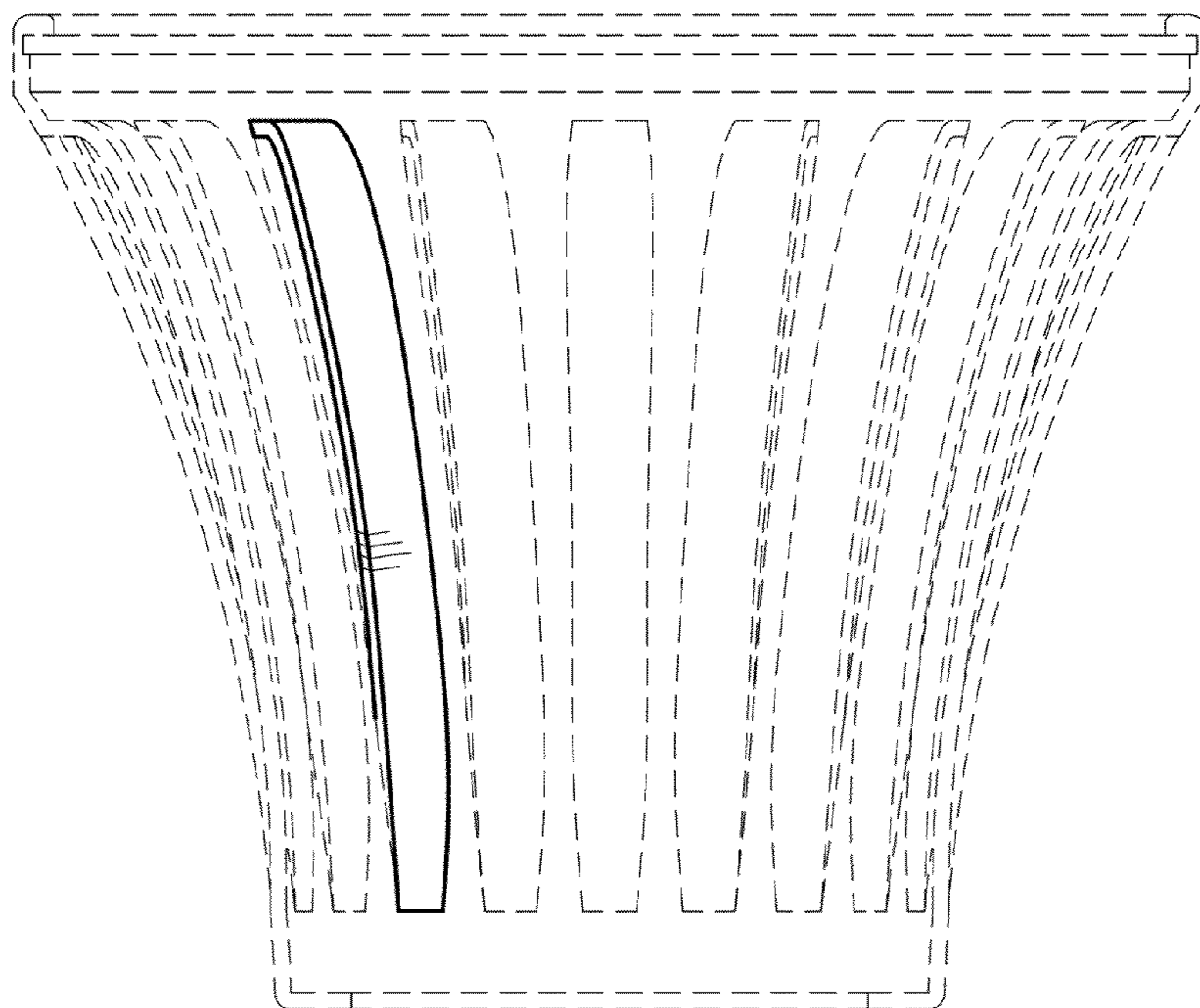


FIG. 9