



US00D714964S

(12) **United States Design Patent**
Hoskinson et al.

(10) **Patent No.:** **US D714,964 S**
(45) **Date of Patent:** **** Oct. 7, 2014**

(54) **ROUNDED PREFINISHED STAIRNOSE
CORNER STRUCTURE**

(71) Applicants: **Jonathan Lee Hoskinson**, Ronan, MT
(US); **Louise Anne Hoskinson**, Ronan,
MT (US)

(72) Inventors: **Jonathan Lee Hoskinson**, Ronan, MT
(US); **Louise Anne Hoskinson**, Ronan,
MT (US)

(**) Term: **14 Years**

(21) Appl. No.: **29/447,399**

(22) Filed: **Mar. 4, 2013**

(51) **LOC (10) Cl.** **25-04**

(52) **U.S. Cl.**
USPC **D25/69**

(58) **Field of Classification Search**
USPC D25/69; 52/179, 177, 273, 282.3,
52/282.1, 255, 287.1, 290
See application file for complete search history.

(56) **References Cited**

U.S. PATENT DOCUMENTS

2,823,432	A *	2/1958	Dloniak	52/287.1
2,881,485	A *	4/1959	Hyman	52/179
D505,211	S *	5/2005	Stanchfield	D25/119
D621,961	S *	8/2010	Gardner	D25/119
2009/0145059	A1 *	6/2009	Kay	52/179

* cited by examiner

Primary Examiner — Doris Clark

(74) *Attorney, Agent, or Firm* — Ash Tankha; Lipton,
Weinberger & Husick

(57) **CLAIM**

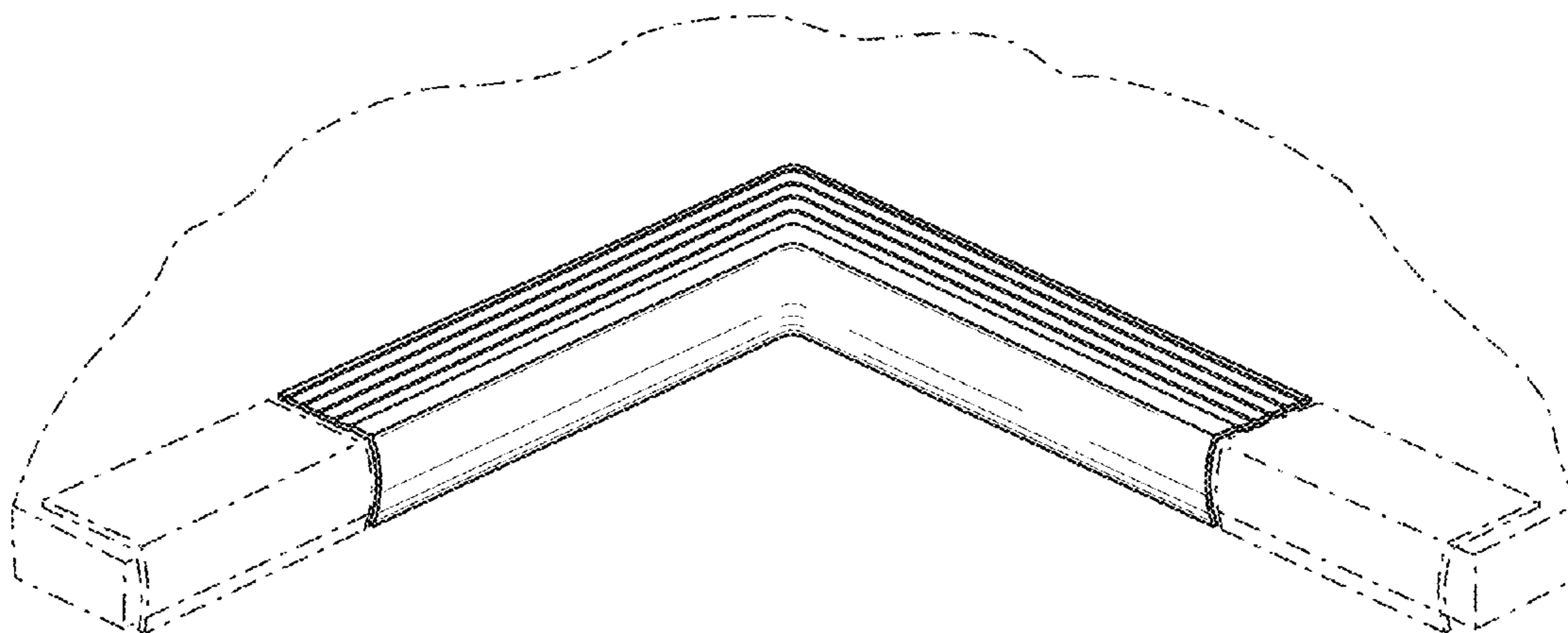
The ornamental design for a rounded prefinished stairnose corner structure, as shown and described.

DESCRIPTION

FIG. 1 is a front perspective view of an ornamental design for a rounded prefinished stairnose corner structure configured for an inner corner defined by a stairnose; FIG. 2 is a rear perspective view thereof; FIG. 3 is a front elevation view thereof; FIG. 4 is a rear elevation view thereof; FIG. 5 is a top plan view thereof; FIG. 6 is a bottom view thereof; FIG. 7 is a right side perspective view thereof; FIG. 8 is a left side perspective view thereof; FIG. 9 is a front perspective view thereof, showing the rounded prefinished stairnose corner structure abutting to transition strips perpendicularly aligned over the stairnose, at the inner corner of the stairnose; FIG. 10 is a front perspective view of an ornamental design for an embodiment of the rounded prefinished stairnose corner structure configured for an outer corner defined by the stairnose; FIG. 11 is a rear perspective view thereof; FIG. 12 is a front elevation view thereof; FIG. 13 is a rear elevation view thereof; FIG. 14 is a top plan view thereof; FIG. 15 is a bottom view thereof; FIG. 16 is a right side perspective view thereof; FIG. 17 is a left side perspective view thereof; and, FIG. 18 is a rear perspective view thereof, showing the rounded prefinished stairnose corner structure abutting to transition strips perpendicularly aligned over the stairnose, at the outer corner of the stairnose.

The broken line showing of the transition strips and the stairnose in FIG. 9 and FIG. 18 is for the purpose of illustrating environment and forms no part of the claimed design.

1 Claim, 10 Drawing Sheets



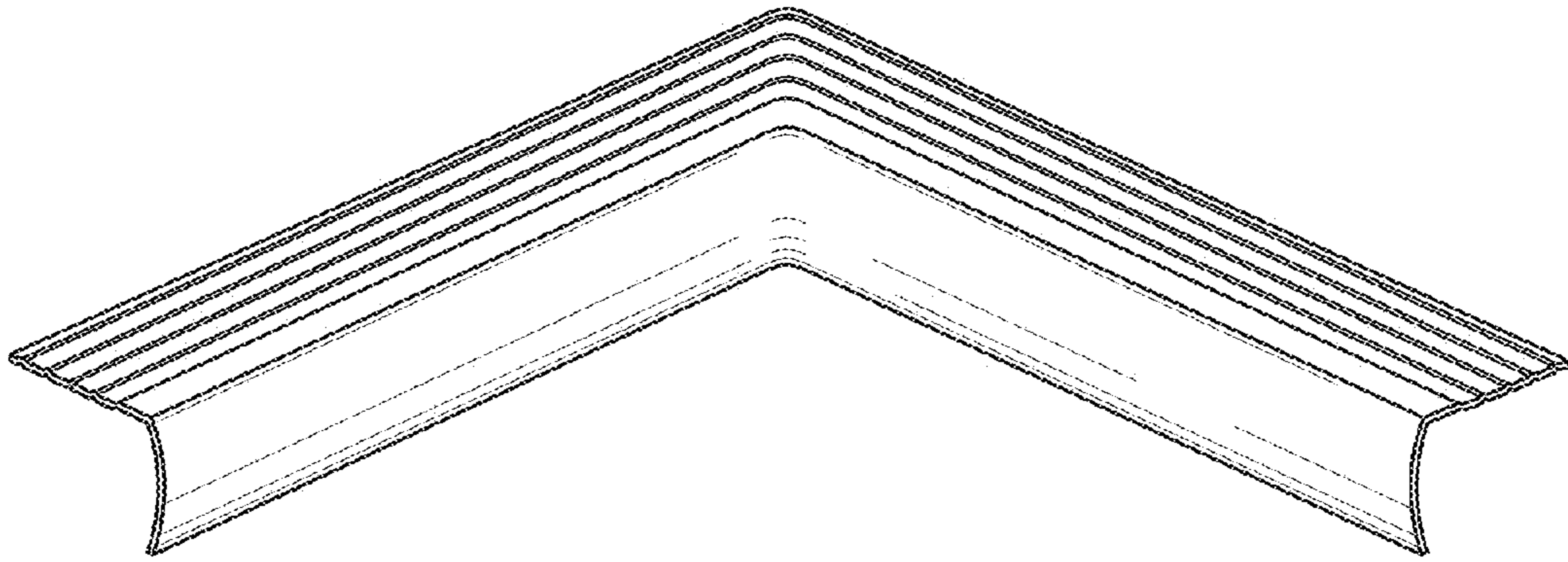


FIG. 1

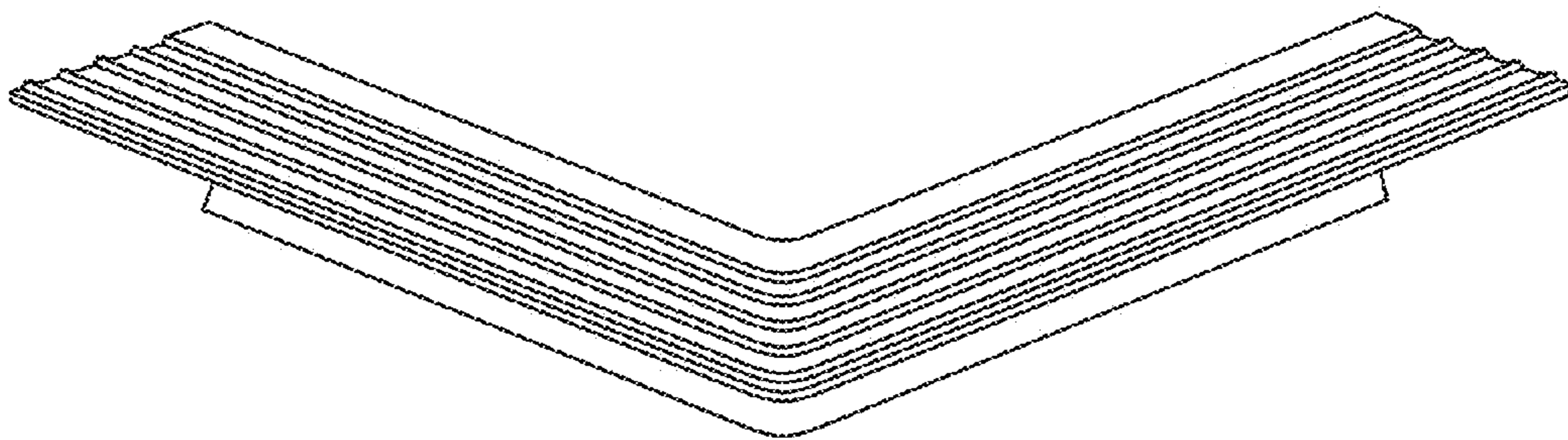


FIG. 2



FIG. 3



FIG. 4

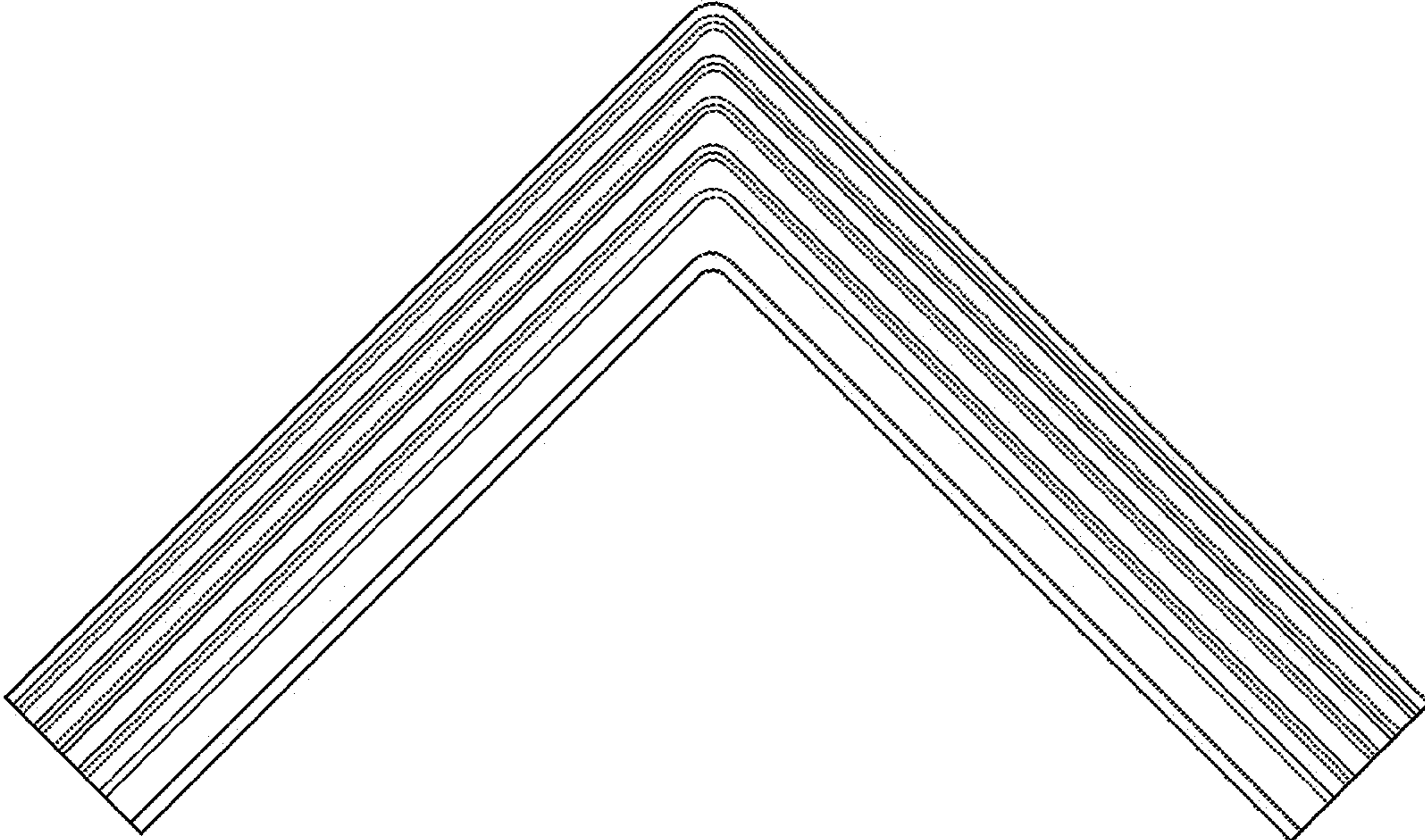


FIG. 5

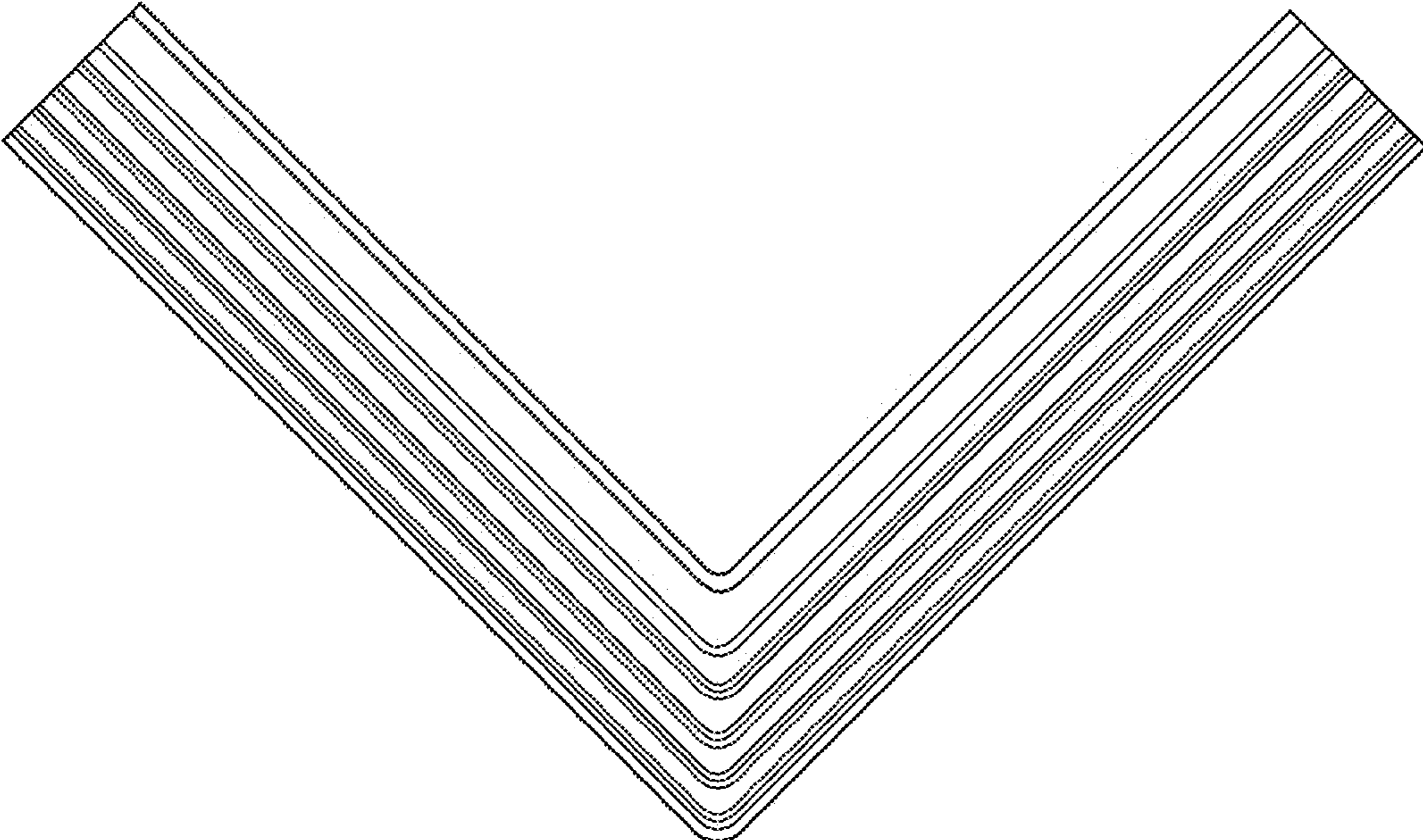


FIG. 6

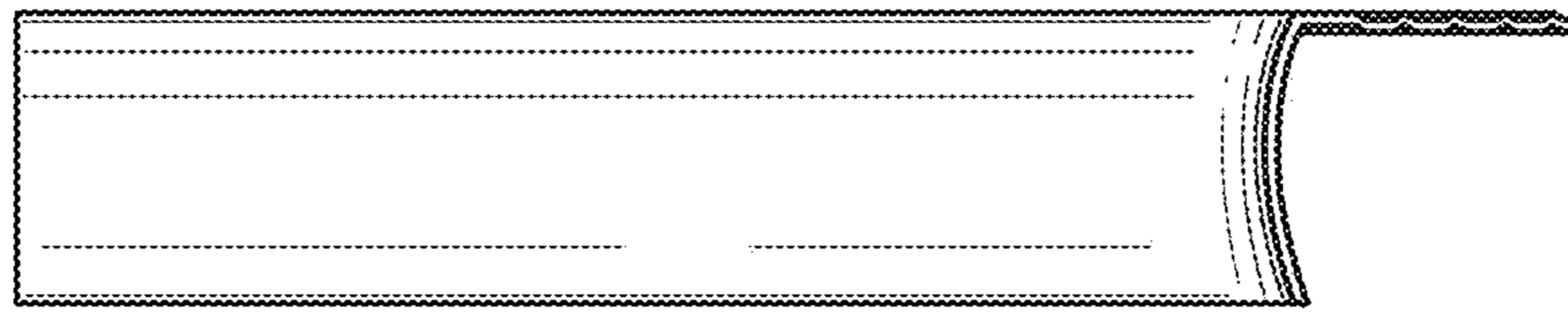


FIG. 7

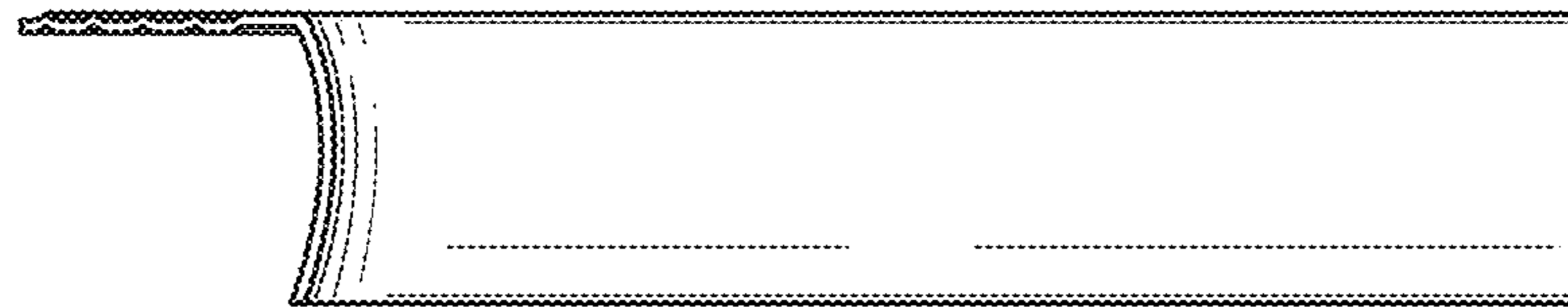


FIG. 8

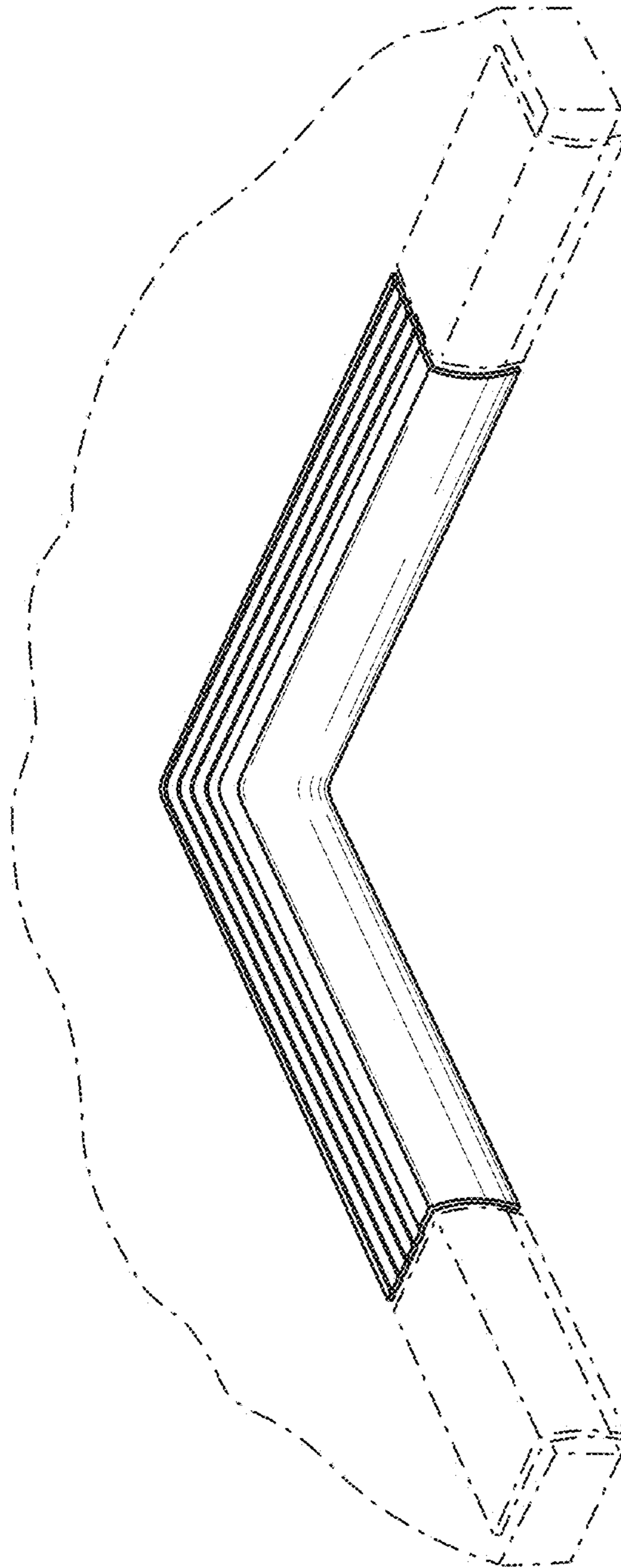


FIG. 9

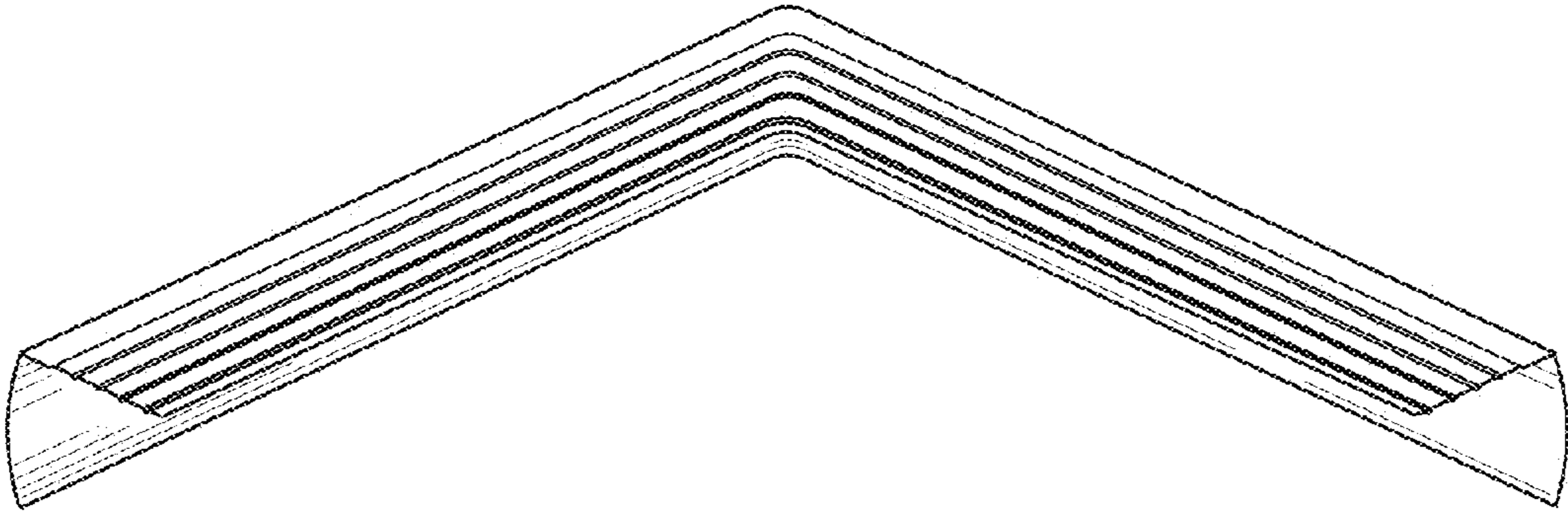


FIG. 10

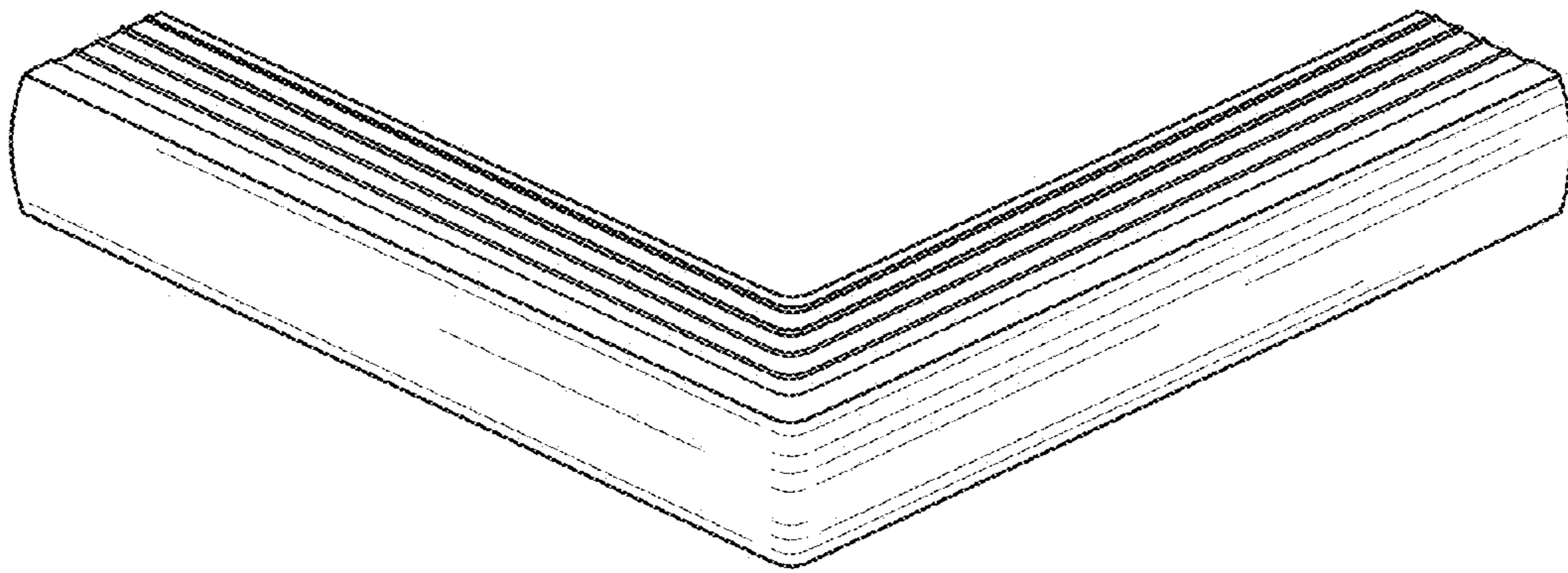


FIG. 11



FIG. 12

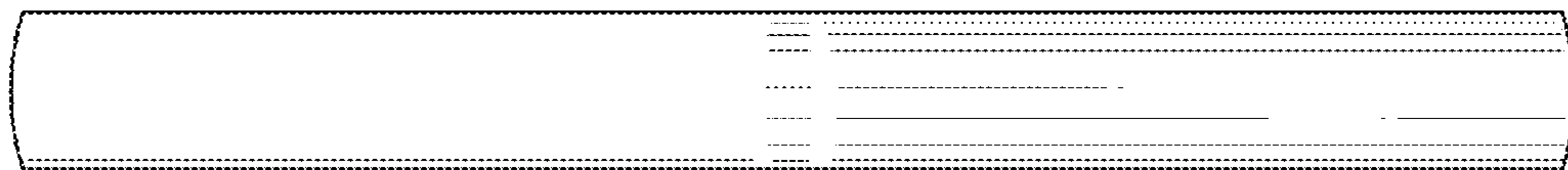


FIG. 13

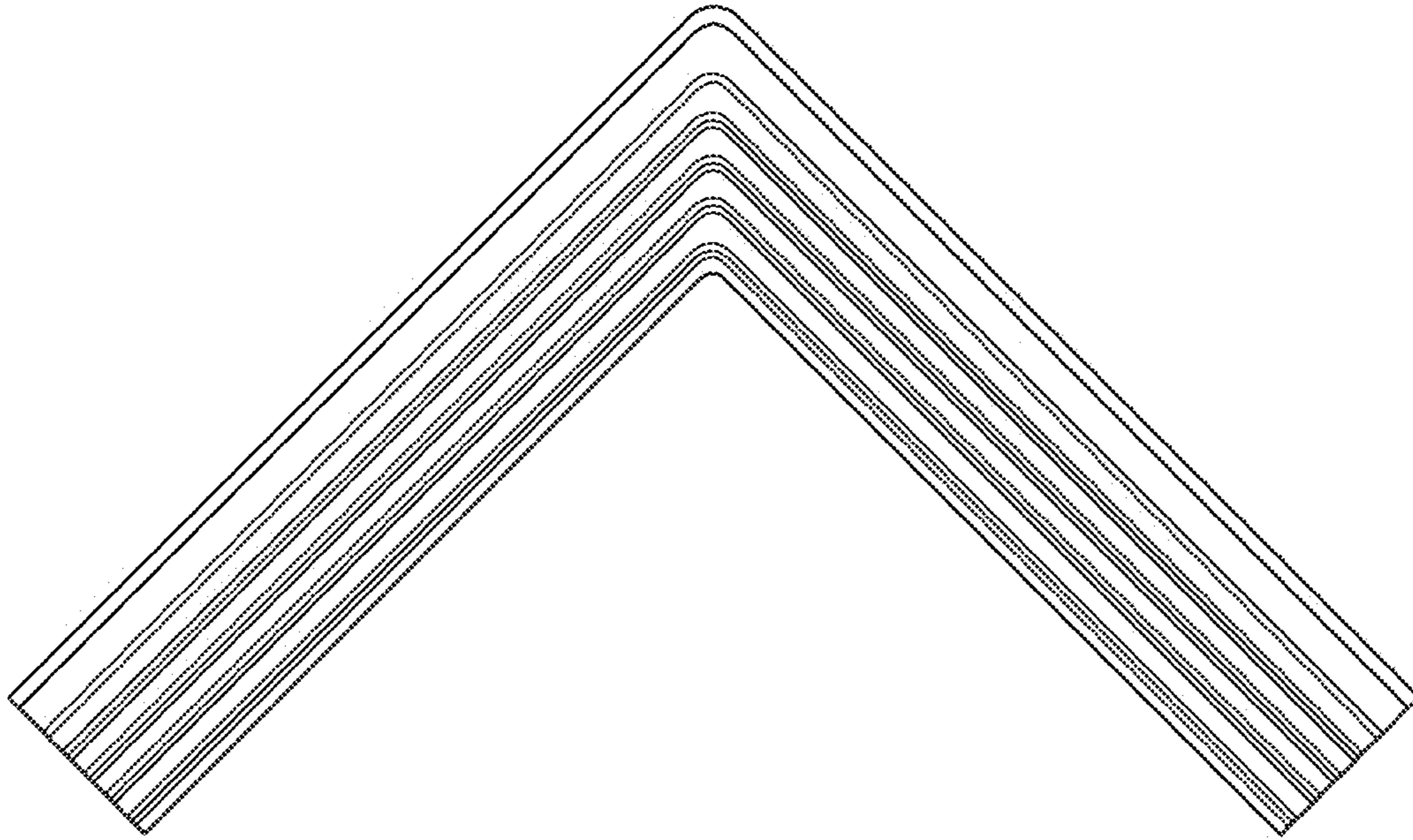


FIG. 14

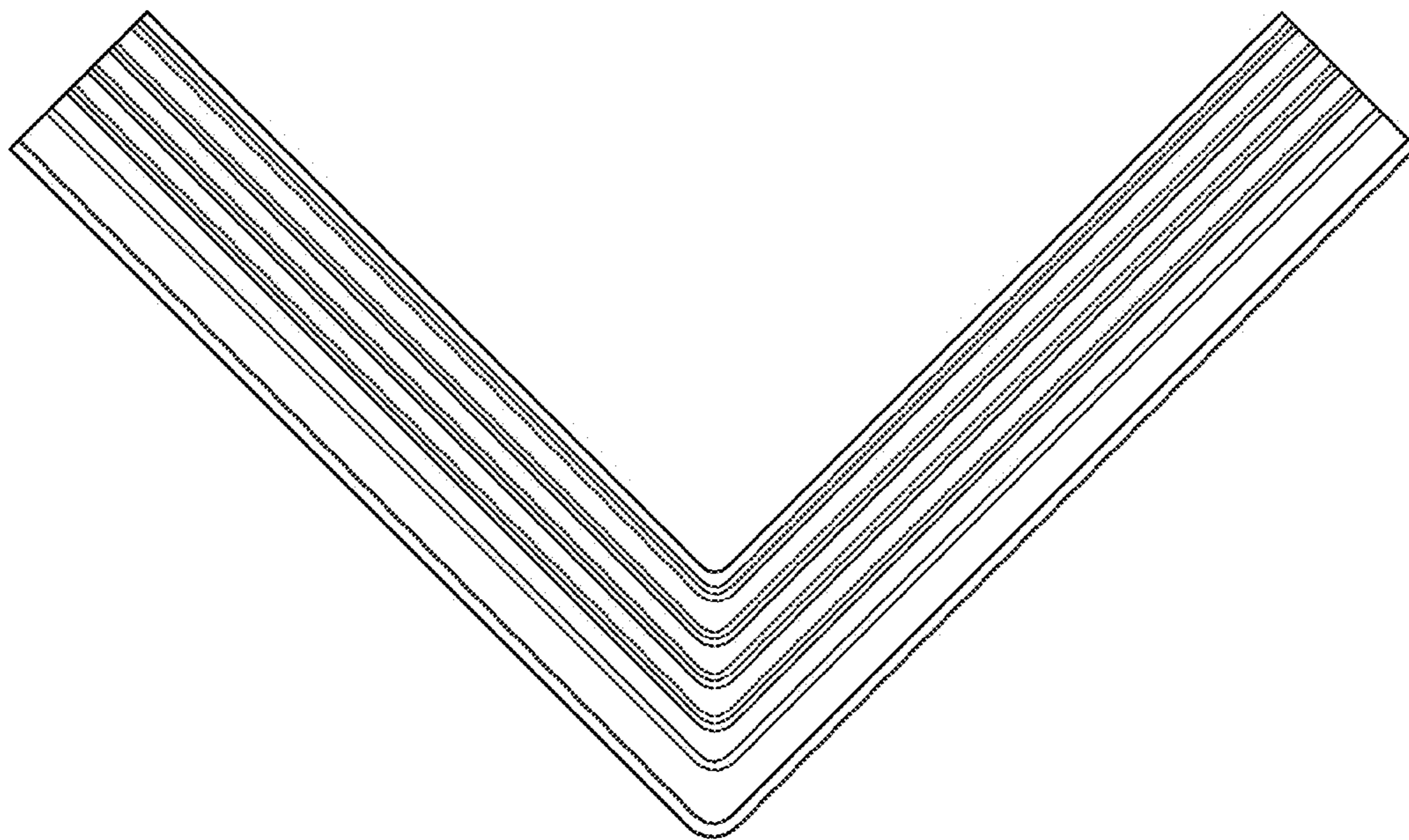


FIG. 15

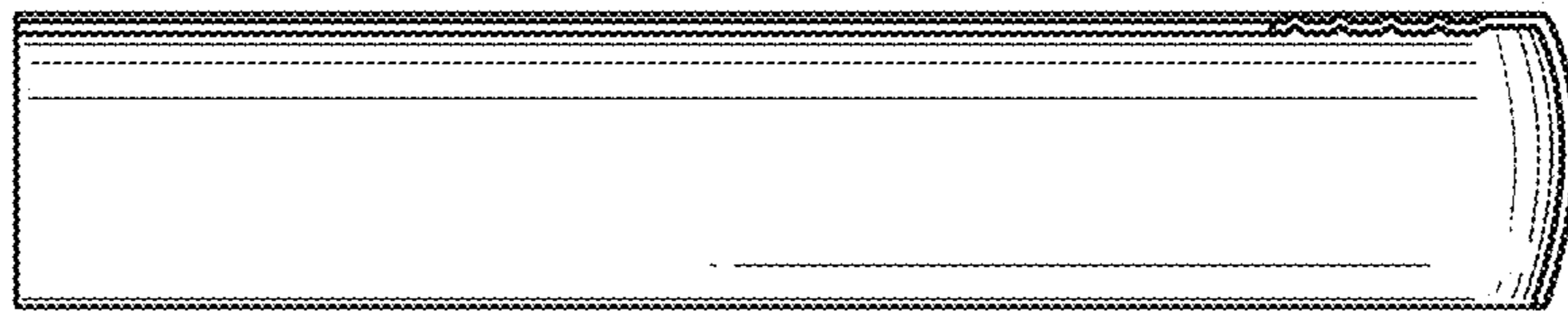


FIG. 16

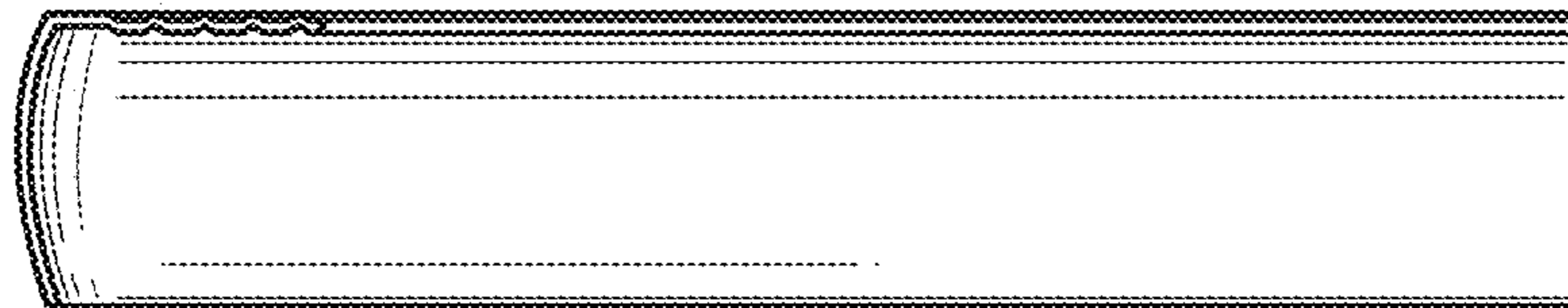


FIG. 17

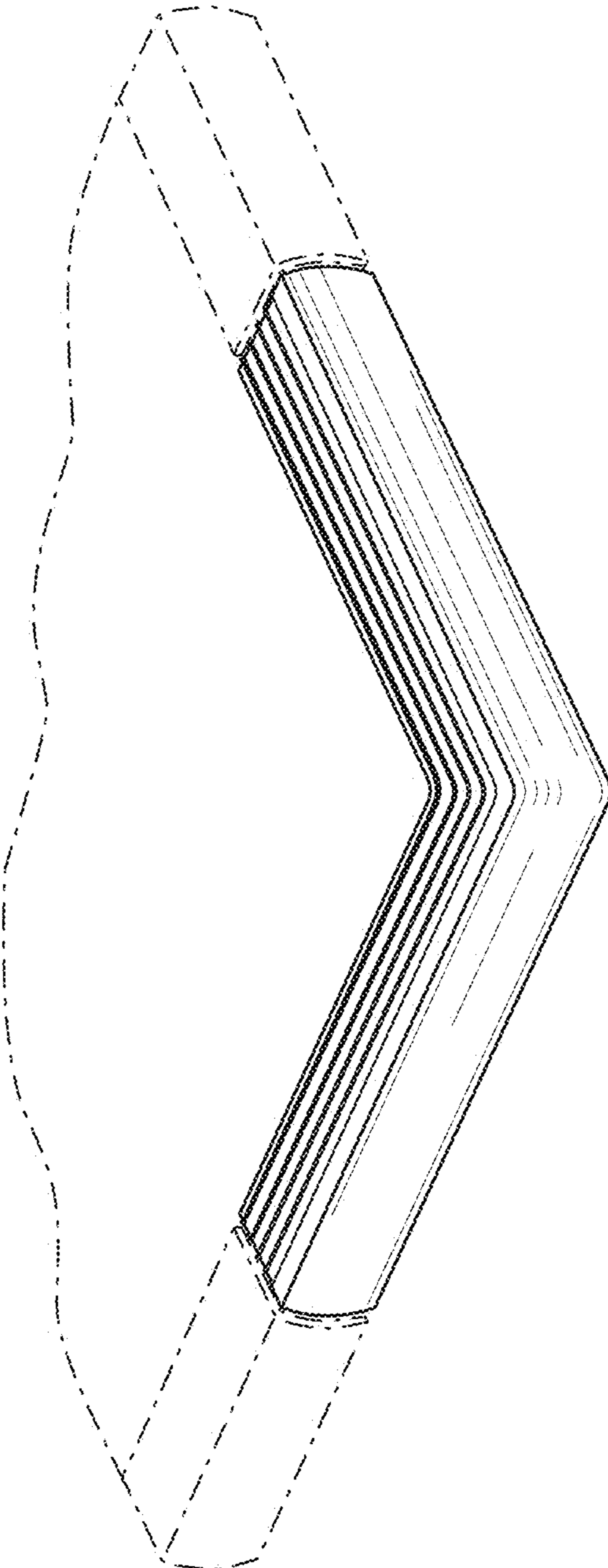


FIG. 18