



US00D714960S

(12) **United States Design Patent**  
**Weisbeck**

(10) **Patent No.:** **US D714,960 S**

(45) **Date of Patent:** **\*\* Oct. 7, 2014**

(54) **GATE FOR A PLAY YARD**

(71) Applicant: **North States Industries, Inc.**, Blaine,  
MN (US)

(72) Inventor: **Dean Weisbeck**, Medina, MN (US)

(73) Assignee: **North States Industries, Inc.**,  
Minneapolis, MN (US)

(\*\*) Term: **14 Years**

(21) Appl. No.: **29/445,855**

(22) Filed: **Feb. 18, 2013**

(51) **LOC (10) CL.** ..... **25-02**

(52) **U.S. CL.**  
USPC ..... **D25/48.5**

(58) **Field of Classification Search**  
USPC ..... D25/38.1, 39, 48.5, 48.8; 49/50, 52;  
256/19, 24, 25, 73; 52/204.61, 507,  
52/656.8, 663

See application file for complete search history.

(56) **References Cited**

U.S. PATENT DOCUMENTS

D355,261	S	*	2/1995	Abrams et al.	.....	D25/38.1
5,927,011	A	*	7/1999	Sickenius	.....	49/56
D518,898	S	*	4/2006	Nitz et al.	.....	D25/48.5
7,716,874	B2	*	5/2010	Ventrola	.....	49/55
2008/0185566	A1	*	8/2008	Flannery	.....	256/73

\* cited by examiner

*Primary Examiner* — Doris Clark

(74) *Attorney, Agent, or Firm* — Merchant & Gould P.C.

(57) **CLAIM**

The ornamental design for a gate for a play yard, as shown and described.

**DESCRIPTION**

FIG. 1 is a front perspective view of a gate for a play yard.  
FIG. 2 is a front view of a gate for a play yard.  
FIG. 3 is a back view of a gate for a play yard.  
FIG. 4 is a first side view of a gate for a play yard.  
FIG. 5 is a second side view of a gate for a play yard.  
FIG. 6 is a top view of a gate for a play yard; and,  
FIG. 7 is a bottom view of a gate for a play yard.  
The broken line showing of the play yard is included for the purpose of illustrating the unclaimed environment of the entirety of the play yard and forms no part of the claimed design.

**1 Claim, 5 Drawing Sheets**

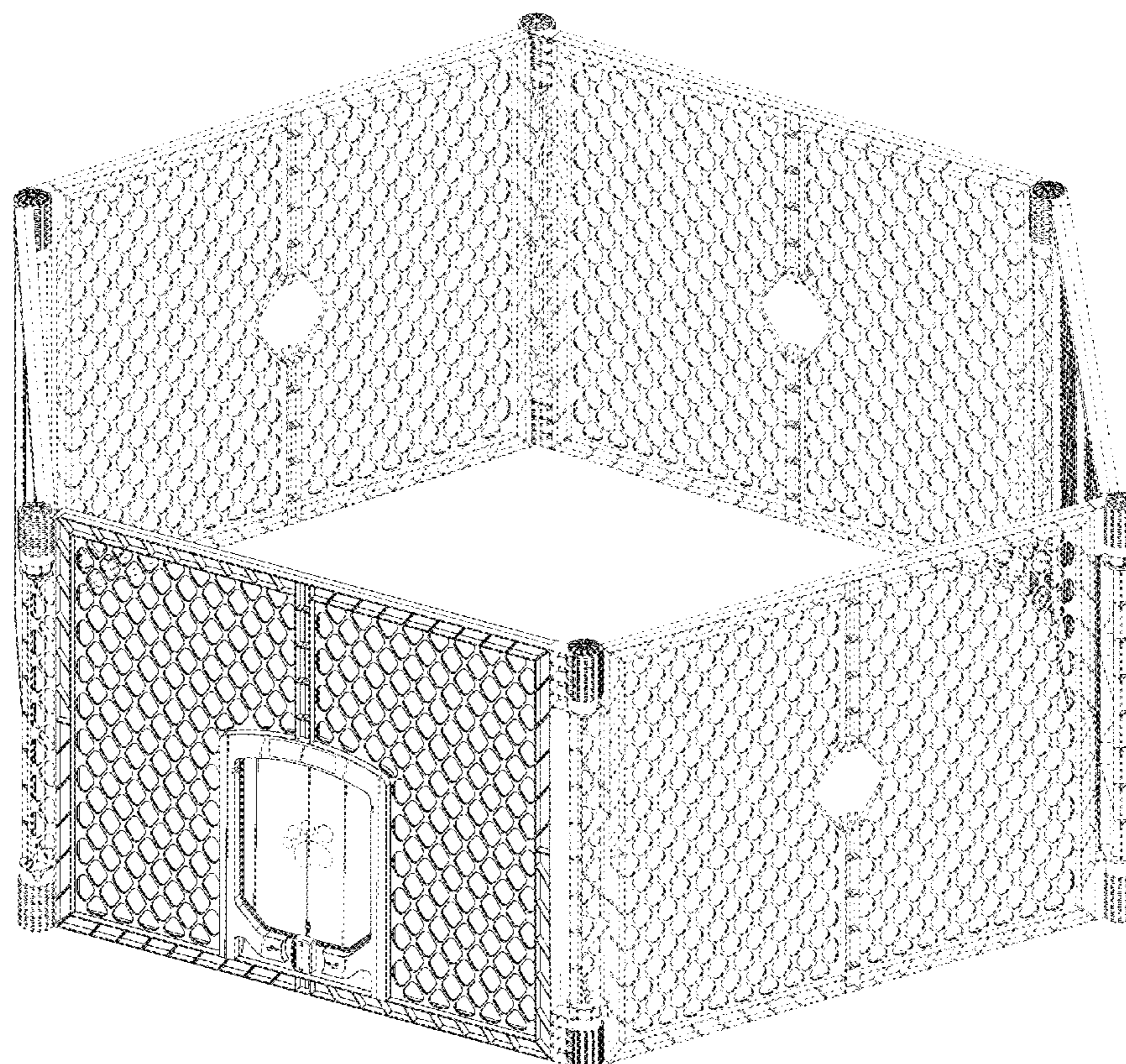




FIG. 1

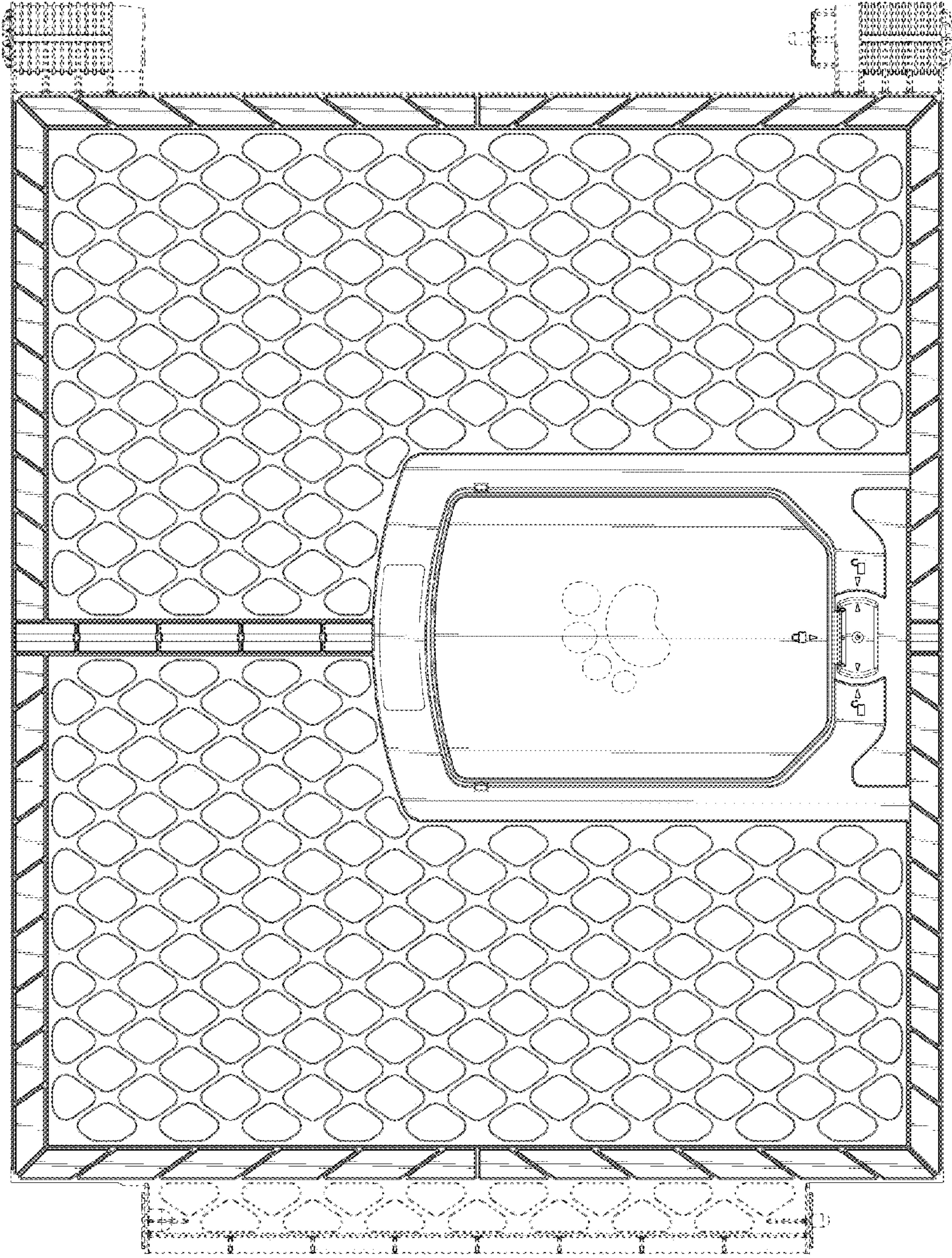


FIG. 2

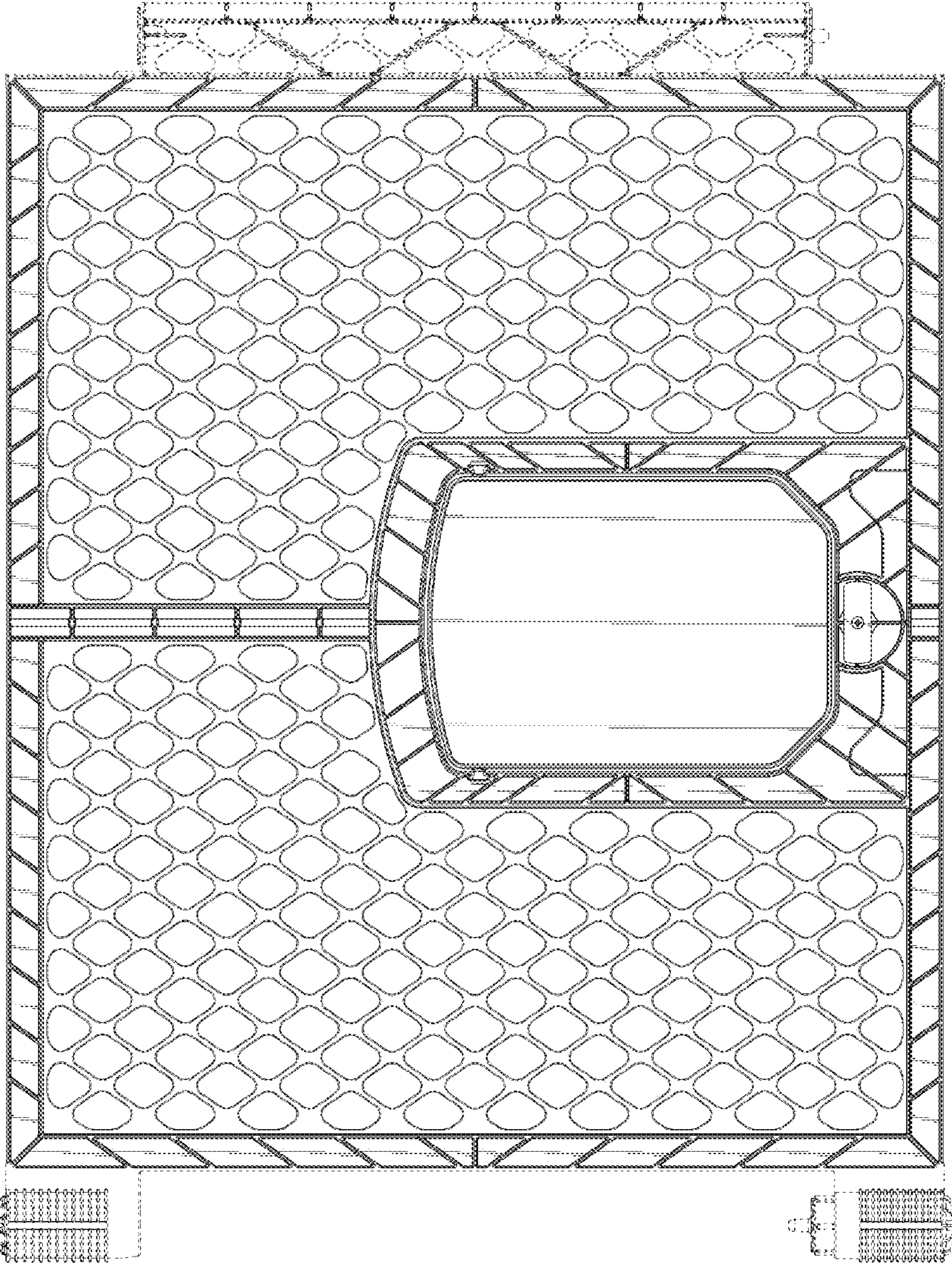


FIG. 3

FIG. 4

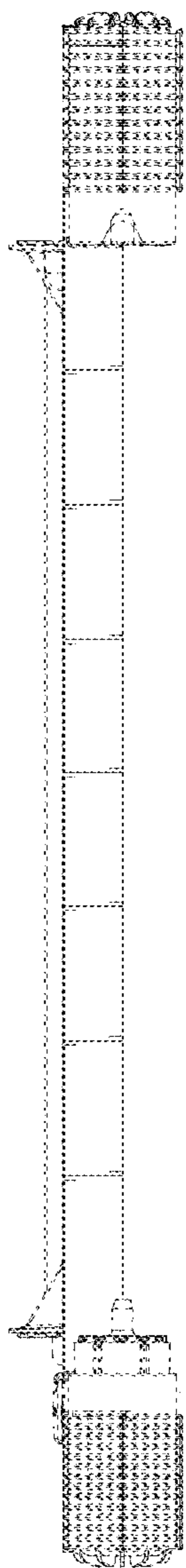


FIG. 5

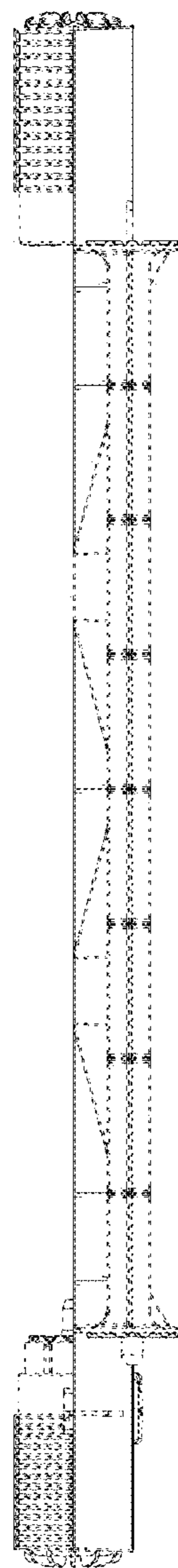


FIG. 6

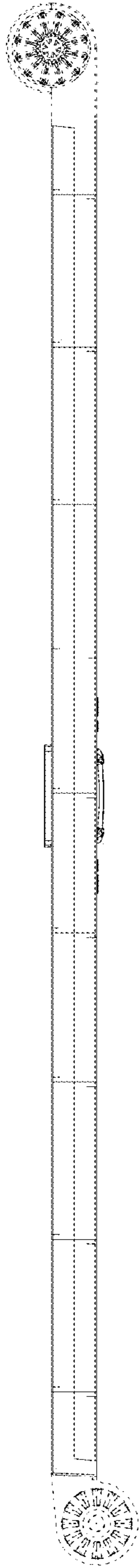


FIG. 7

