



US00D714958S

(12) **United States Design Patent**
Smeja

(10) **Patent No.:** **US D714,958 S**

(45) **Date of Patent:** **** Oct. 7, 2014**

- (54) **BEVERAGE CAPSULE TRAY**
- (71) Applicant: **Limitless Innovations, Inc.**, McHenry, IL (US)
- (72) Inventor: **Michael V. Smeja**, Inverness, IL (US)
- (73) Assignee: **Limitless Innovations, Inc.**, McHenry, IL (US)
- (**) Term: **14 Years**
- (21) Appl. No.: **29/470,583**
- (22) Filed: **Oct. 23, 2013**
- (51) **LOC (10) Cl.** **24-02**
- (52) **U.S. Cl.**
USPC **D24/230; D7/701**
- (58) **Field of Classification Search**
USPC D24/185, 216–232, 127–128;
D3/203.1–203.8, 304;
D6/406.1–406.3, 406.6; D9/341, 345,
D9/347, 348, 415, 418, 419, 430, 456,
D9/732; 422/58, 99, 102, 104, 297, 400,
422/560–564, 509, 521.1, 551;
206/461–471, 526, 528, 531, 534–539;
435/4; D7/701
See application file for complete search history.

- 5,207,150 A 5/1993 Wellman et al.
- D339,869 S * 9/1993 Schea et al. D24/224
- D346,324 S * 4/1994 Warren D9/456
- D351,661 S * 10/1994 Fischer D24/230
- D359,125 S * 6/1995 Livingston D24/223
- 5,508,005 A * 4/1996 Mathus 422/551

(Continued)

Primary Examiner — T. Chase Nelson

Assistant Examiner — Mark Cavanna

(74) *Attorney, Agent, or Firm* — Neal, Gerber & Eisenberg LLP

(57) **CLAIM**

The ornamental design for the beverage capsule tray, as shown and described.

DESCRIPTION

FIG. 1 is a perspective view of a first embodiment of a beverage capsule tray;
 FIG. 2 is a bottom perspective view thereof;
 FIG. 3 is a first side view thereof;
 FIG. 4 is a second side view thereof;
 FIG. 5 is a first end view thereof;
 FIG. 6 is a second end view thereof;
 FIG. 7 is a top plan view thereof;
 FIG. 8 is a bottom plan view thereof;
 FIG. 9 is a perspective view of a second embodiment of a beverage capsule tray;
 FIG. 10 is a bottom perspective view of the beverage capsule tray shown in FIG. 9;
 FIG. 11 is a side view of the beverage capsule tray shown in FIG. 9;
 FIG. 12 is a top perspective view of a third embodiment of a beverage capsule tray;
 FIG. 13 is a bottom perspective view of the beverage capsule tray shown in FIG. 12; and,
 FIG. 14 is a side view of the beverage capsule tray shown in FIG. 12.
 The broken lines in the drawings illustrate the portions of the design that form no part of the claim.

(56) **References Cited**

U.S. PATENT DOCUMENTS

- D192,672 S * 4/1962 Jenkins D24/230
- 3,908,877 A 9/1975 Kosisky
- D245,118 S * 7/1977 Heaton D24/230
- D249,706 S * 9/1978 Adamski D24/230
- D268,130 S * 3/1983 Easton D24/230
- 4,446,982 A 5/1984 Corse
- D282,579 S * 2/1986 Juergens D24/230
- D283,163 S * 3/1986 Pandya D24/230
- D283,164 S * 3/1986 Pandya D24/230
- 4,599,314 A 7/1986 Shami
- D325,975 S * 5/1992 Grade et al. D24/230
- D332,397 S * 1/1993 Schea et al. D24/227

1 Claim, 11 Drawing Sheets



(56)

References Cited

U.S. PATENT DOCUMENTS

D411,308 S * 6/1999 Pandey et al. D24/216
 D413,677 S * 9/1999 Dumitrescu et al. D24/227
 D421,130 S * 2/2000 Cohen et al. D24/229
 D438,632 S * 3/2001 Miller D24/224
 D438,633 S * 3/2001 Miller D24/224
 D448,854 S * 10/2001 Kuiper et al. D24/230
 D450,130 S * 11/2001 Goldstein D24/227
 D484,989 S * 1/2004 Gebrian D24/230
 D589,626 S * 3/2009 Petersen D24/230
 D596,312 S * 7/2009 Giraud et al. D24/230

D596,758 S * 7/2009 Constable D24/230
 D598,566 S * 8/2009 Allaer D24/230
 D608,458 S * 1/2010 Carlson D24/230
 D632,404 S * 2/2011 Karpiloff D24/230
 D638,137 S * 5/2011 Gross et al. D24/227
 D653,767 S * 2/2012 Lovshe D24/230
 D684,276 S * 6/2013 Hudson et al. D24/226
 D694,906 S * 12/2013 Priebe et al. D24/229
 D695,134 S * 12/2013 Priebe et al. D9/732
 2007/0190522 A1 * 8/2007 Somack et al. 435/4
 2011/0226656 A1 * 9/2011 Archambault et al. 206/521.1
 2012/0298604 A1 11/2012 Fuhrer et al.
 2012/0313496 A1 12/2012 Marshall et al.

* cited by examiner

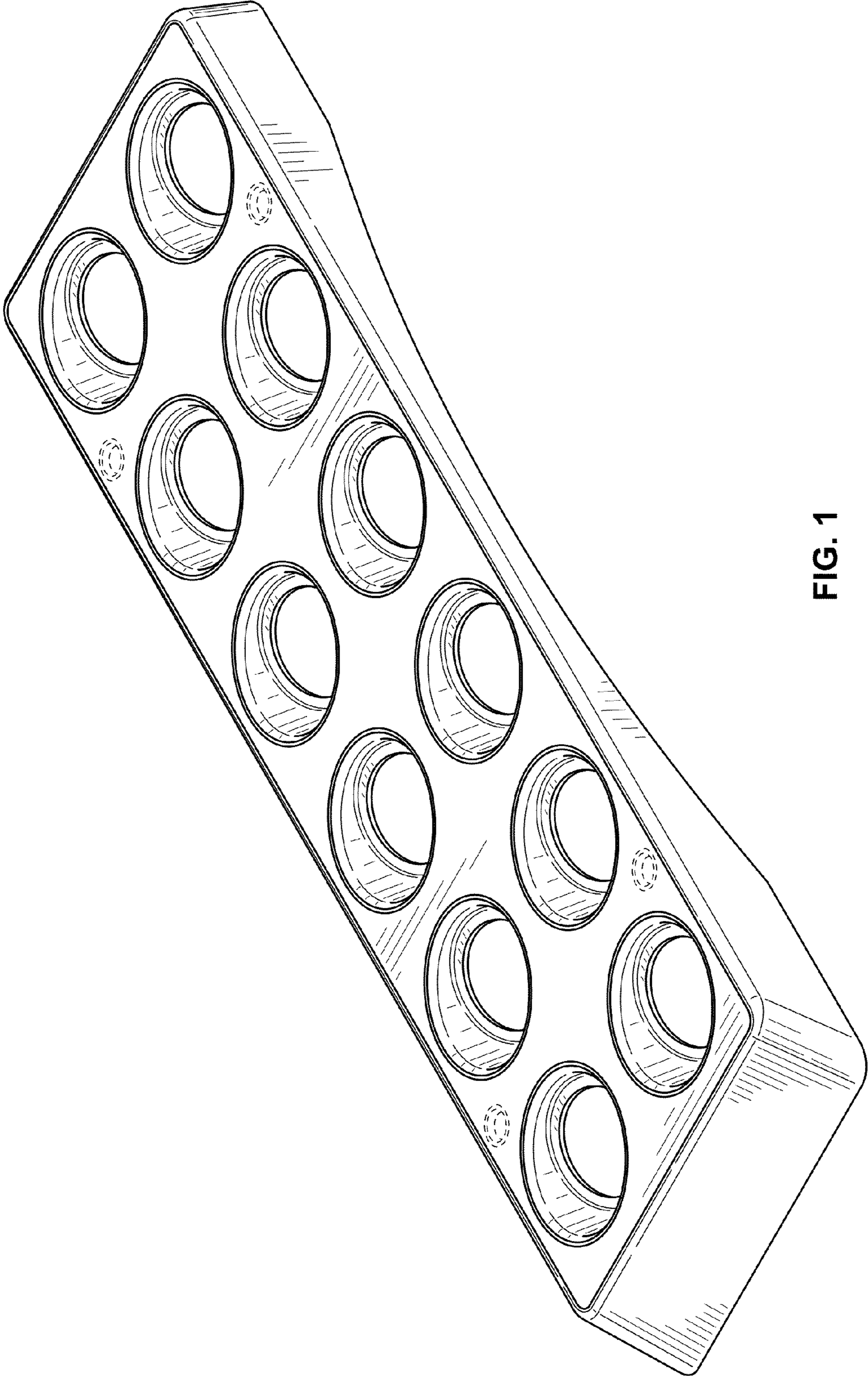


FIG. 1

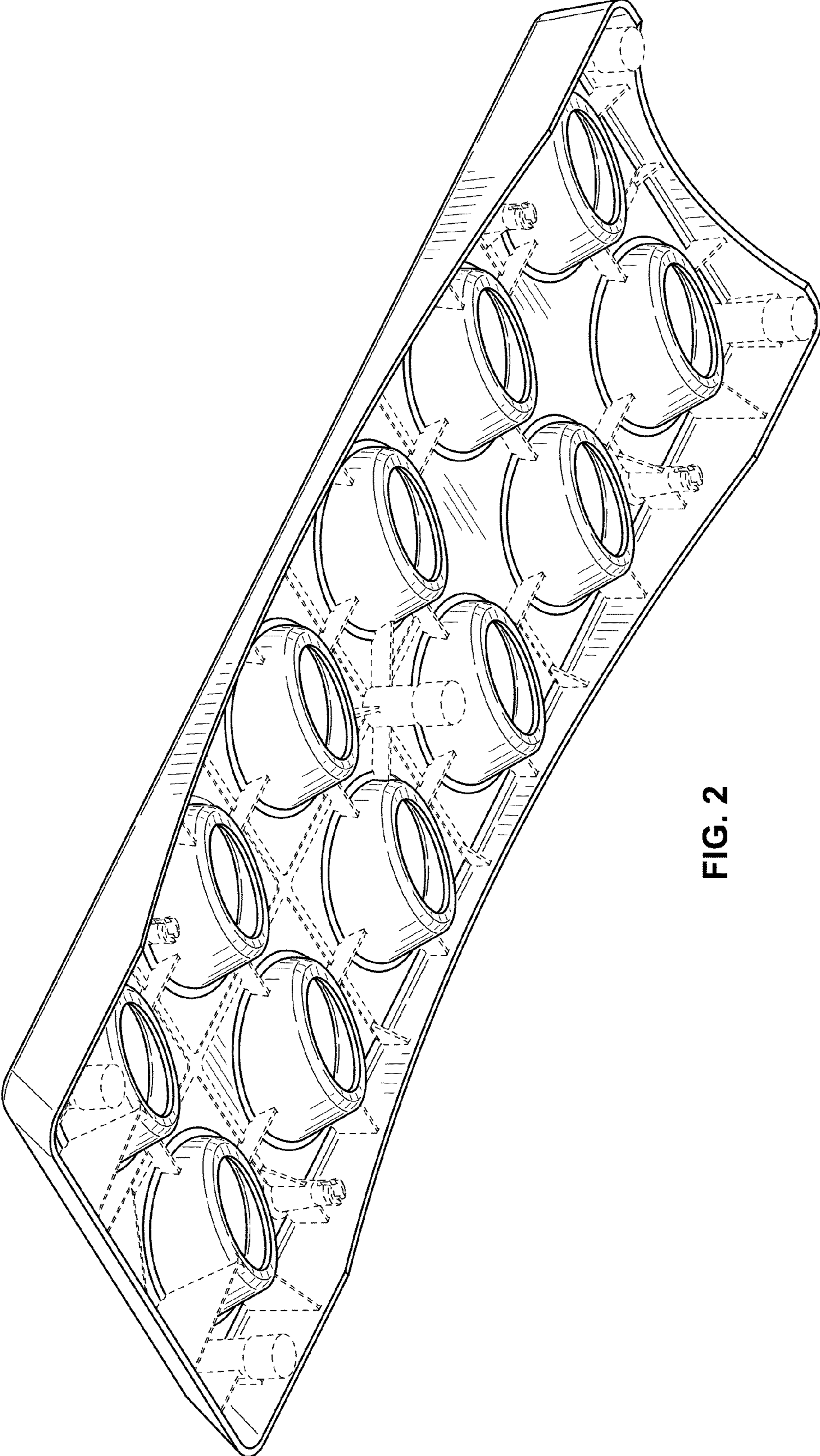


FIG. 2

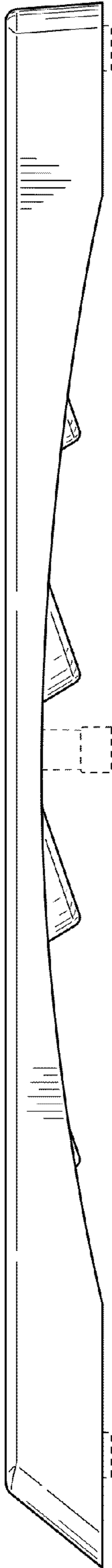


FIG. 3

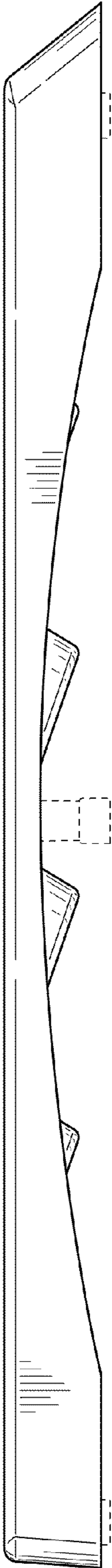


FIG. 4

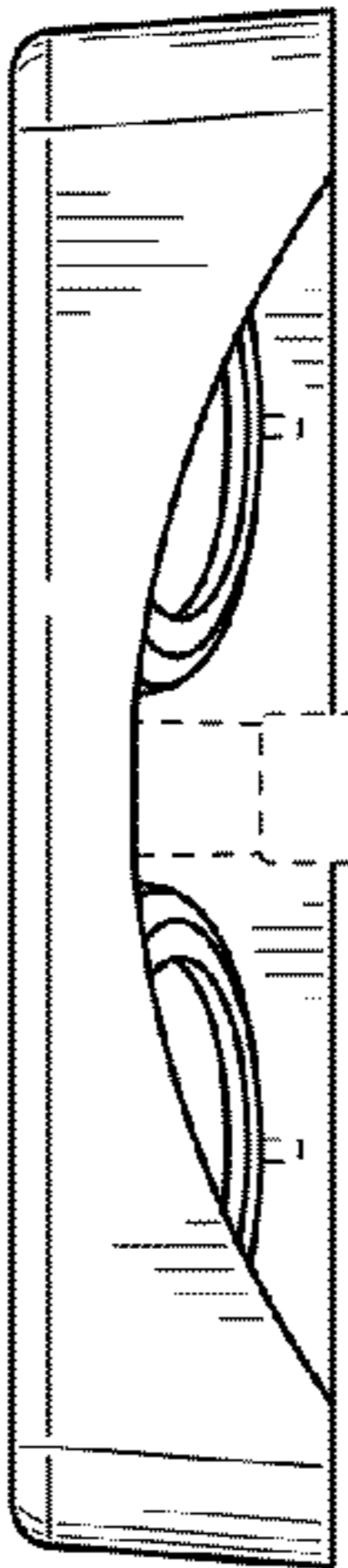


FIG. 5

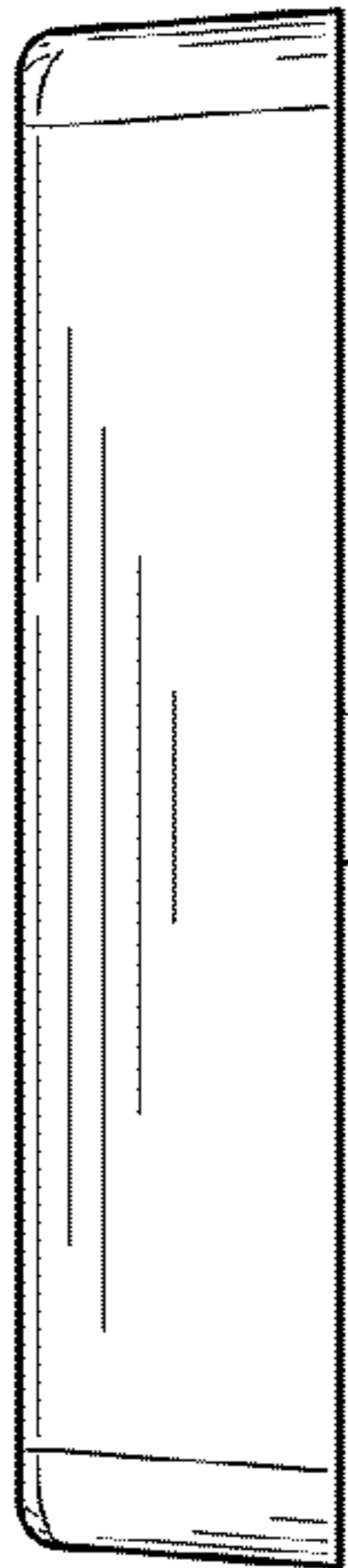


FIG. 6

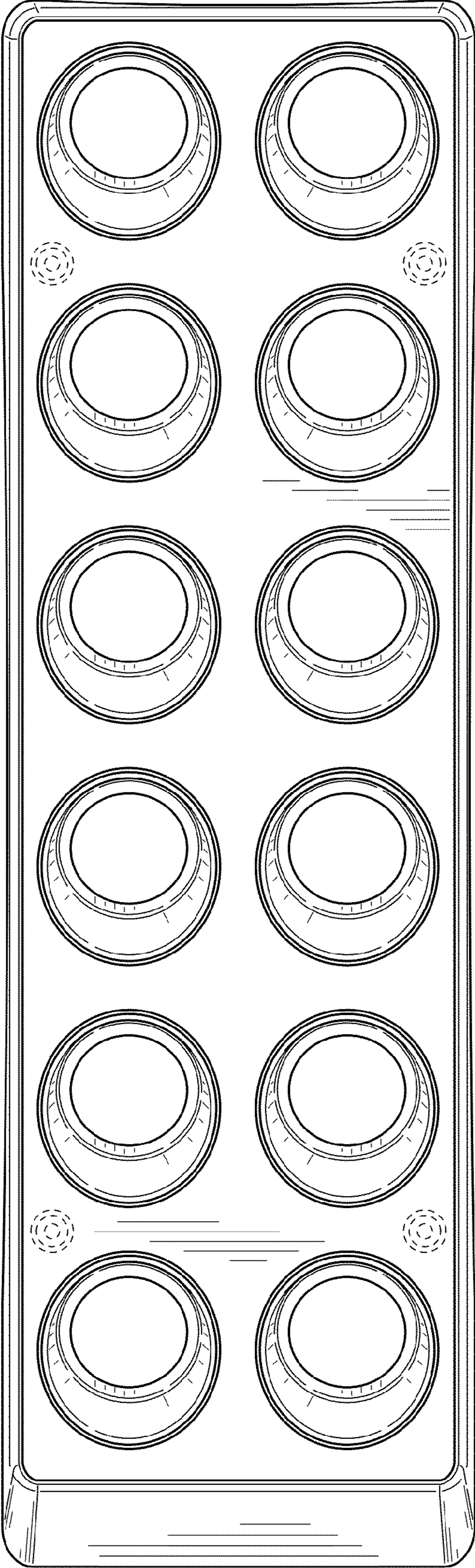


FIG. 7

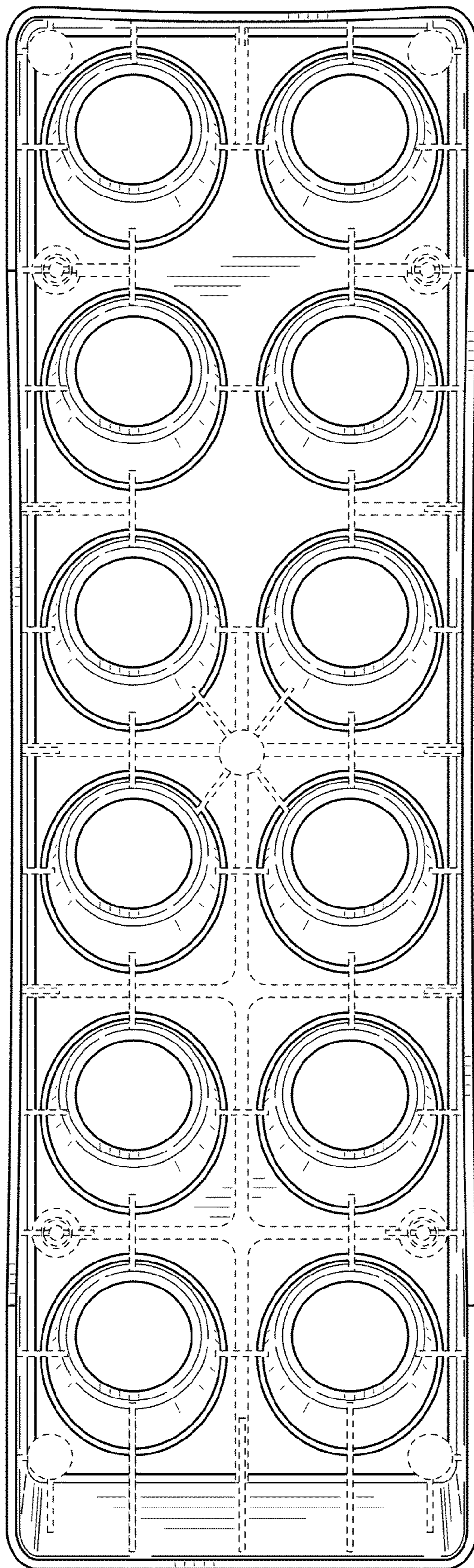


FIG. 8

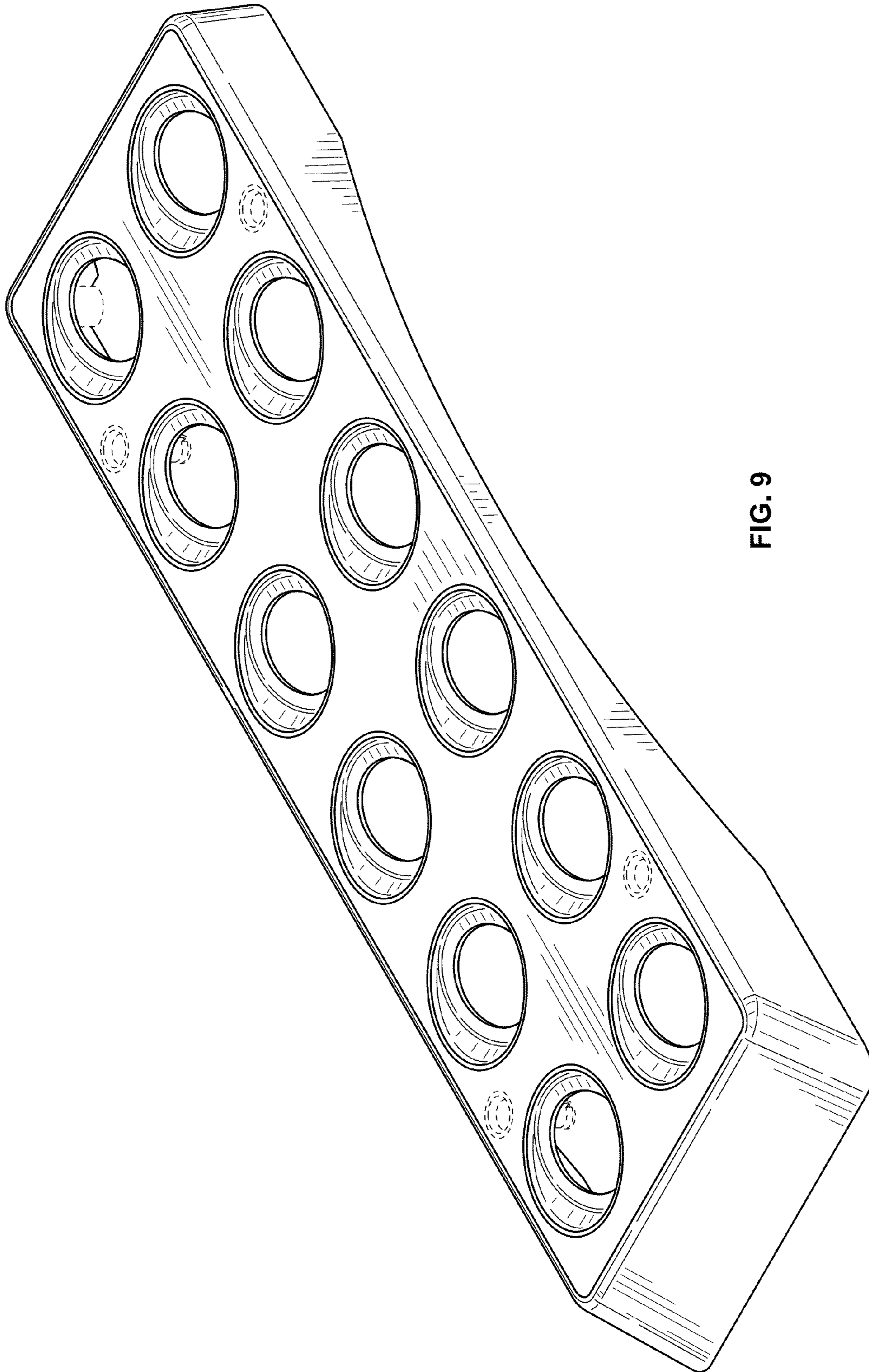


FIG. 9

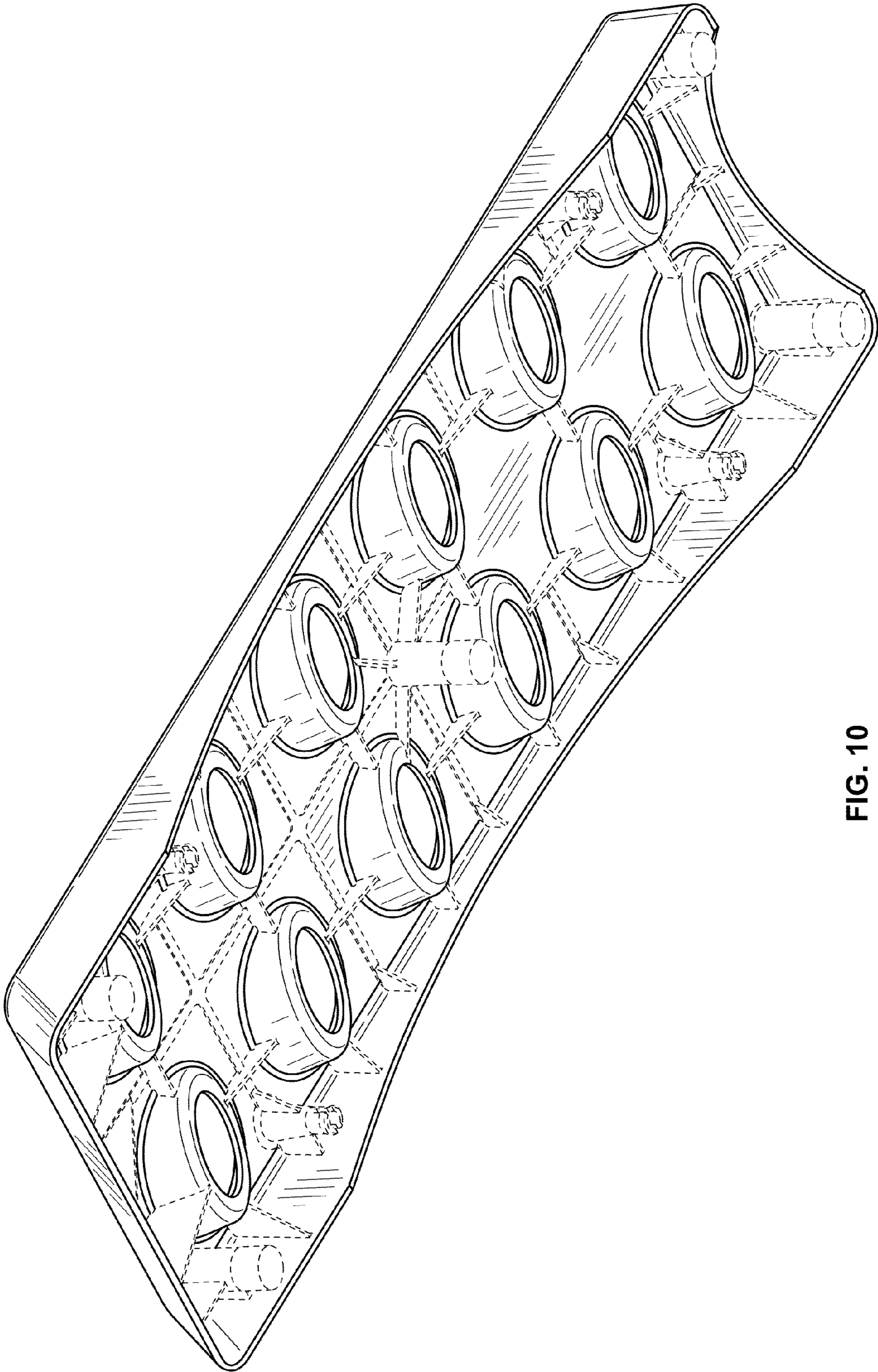


FIG. 10

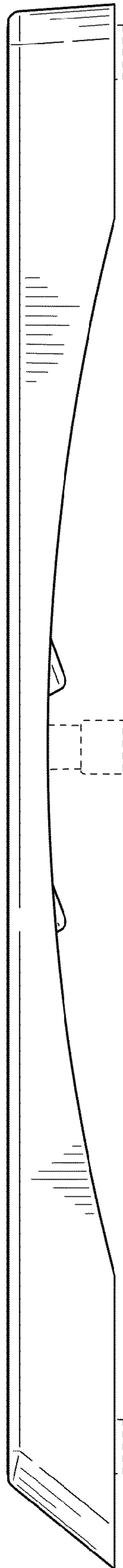


FIG. 11

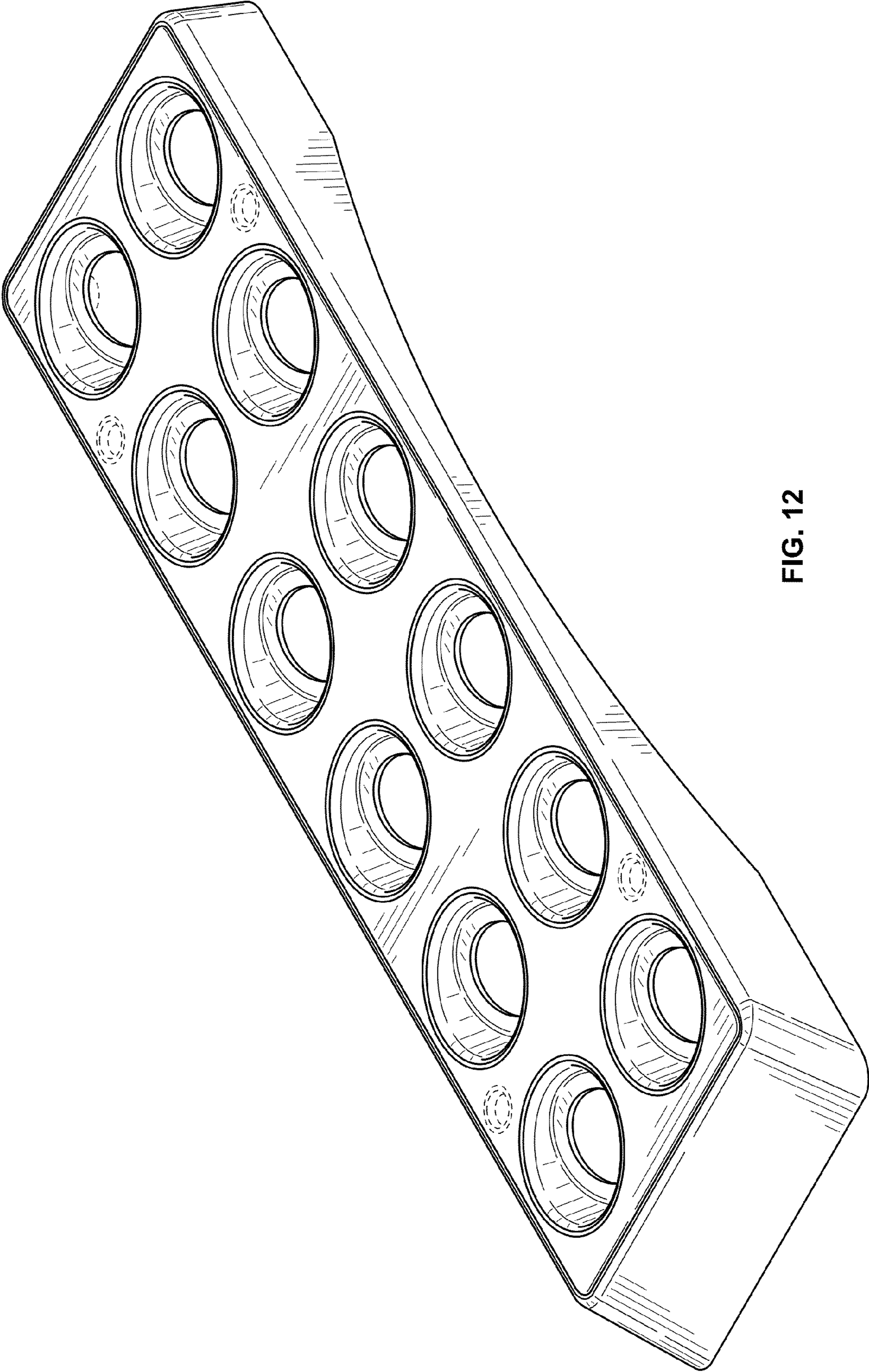


FIG. 12

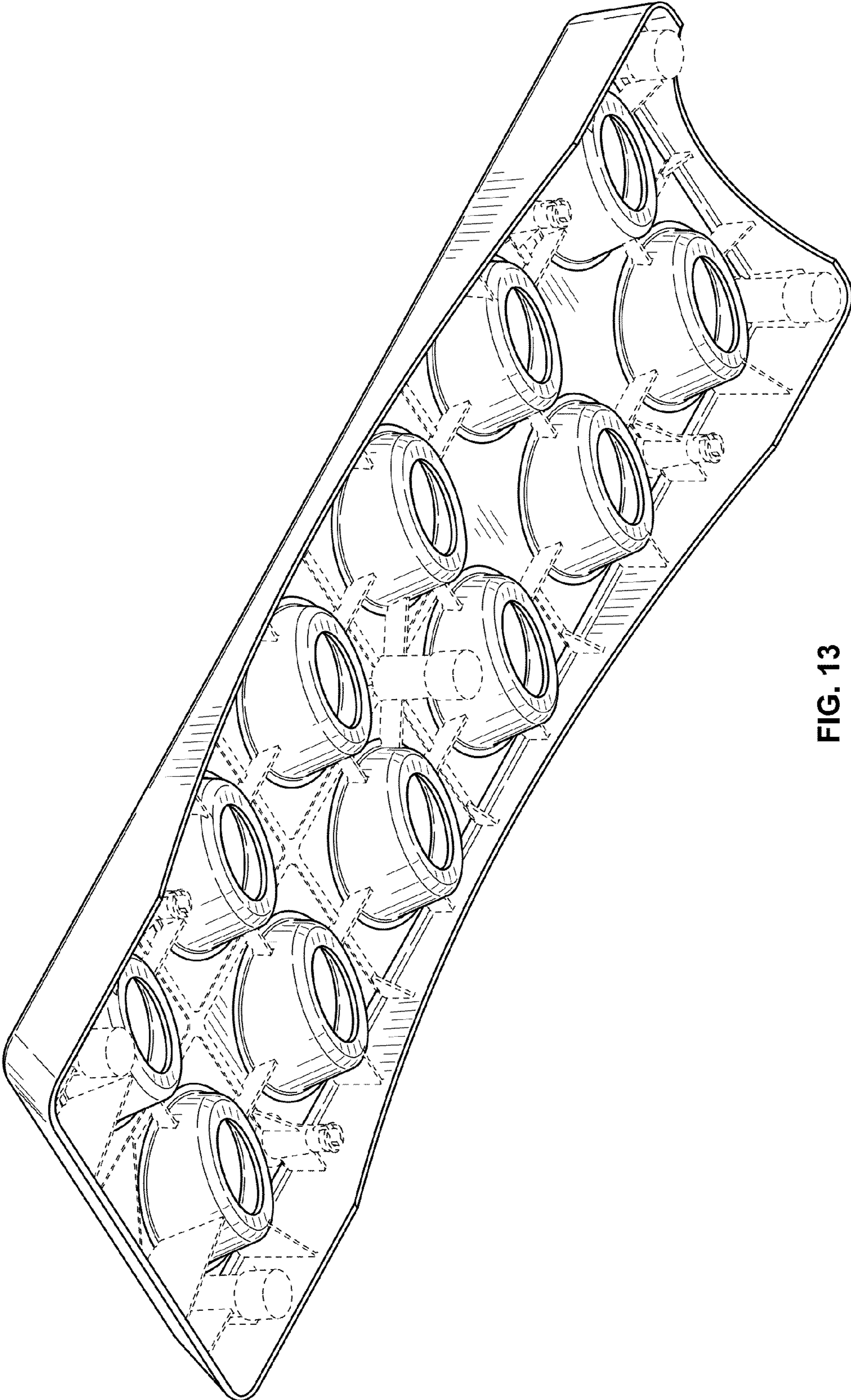


FIG. 13

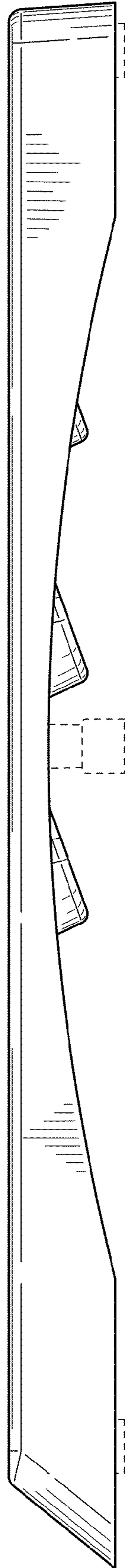


FIG.14