



US00D714954S

(12) **United States Design Patent**
Develon

(10) **Patent No.:** **US D714,954 S**
(45) **Date of Patent:** **** Oct. 7, 2014**

(54) **GRAVIMETRIC DILUTOR FOR
MICROBIOLOGICAL ANALYSIS**

(71) Applicant: **bioMérieux**, Marcy-l’Etoile (FR)

(72) Inventor: **Johan Develon**, Chavagne (FR)

(73) Assignee: **bioMérieux**, Marcy l’Etoile (FR)

(**) Term: **14 Years**

(21) Appl. No.: **29/453,483**

(22) Filed: **Apr. 30, 2013**

(51) **LOC (10) Cl.** **24-01**

(52) **U.S. Cl.**
USPC **D24/216**

(58) **Field of Classification Search**
USPC D24/216, 217, 219, 223, 231, 232, 233,
D24/107, 169, 186, 111; D10/81; 422/500,
422/547, 62–65, 67; 435/287.1, 287.3;
436/43, 45, 47

See application file for complete search history.

(56) **References Cited**

U.S. PATENT DOCUMENTS

D264,991	S	*	6/1982	Quandt	D24/216
4,798,705	A	*	1/1989	Jakubowicz et al.	422/63
D309,013	S	*	7/1990	Vander Hout	D24/217
D387,429	S	*	12/1997	Murrell et al.	D24/232
7,883,265	B2	*	2/2011	Kotler et al.	366/208
D689,196	S	*	9/2013	Marmier	D24/232
D693,480	S	*	11/2013	Spiess et al.	D24/232

* cited by examiner

Primary Examiner — Anhdao Doan

(74) *Attorney, Agent, or Firm* — Winstead PC

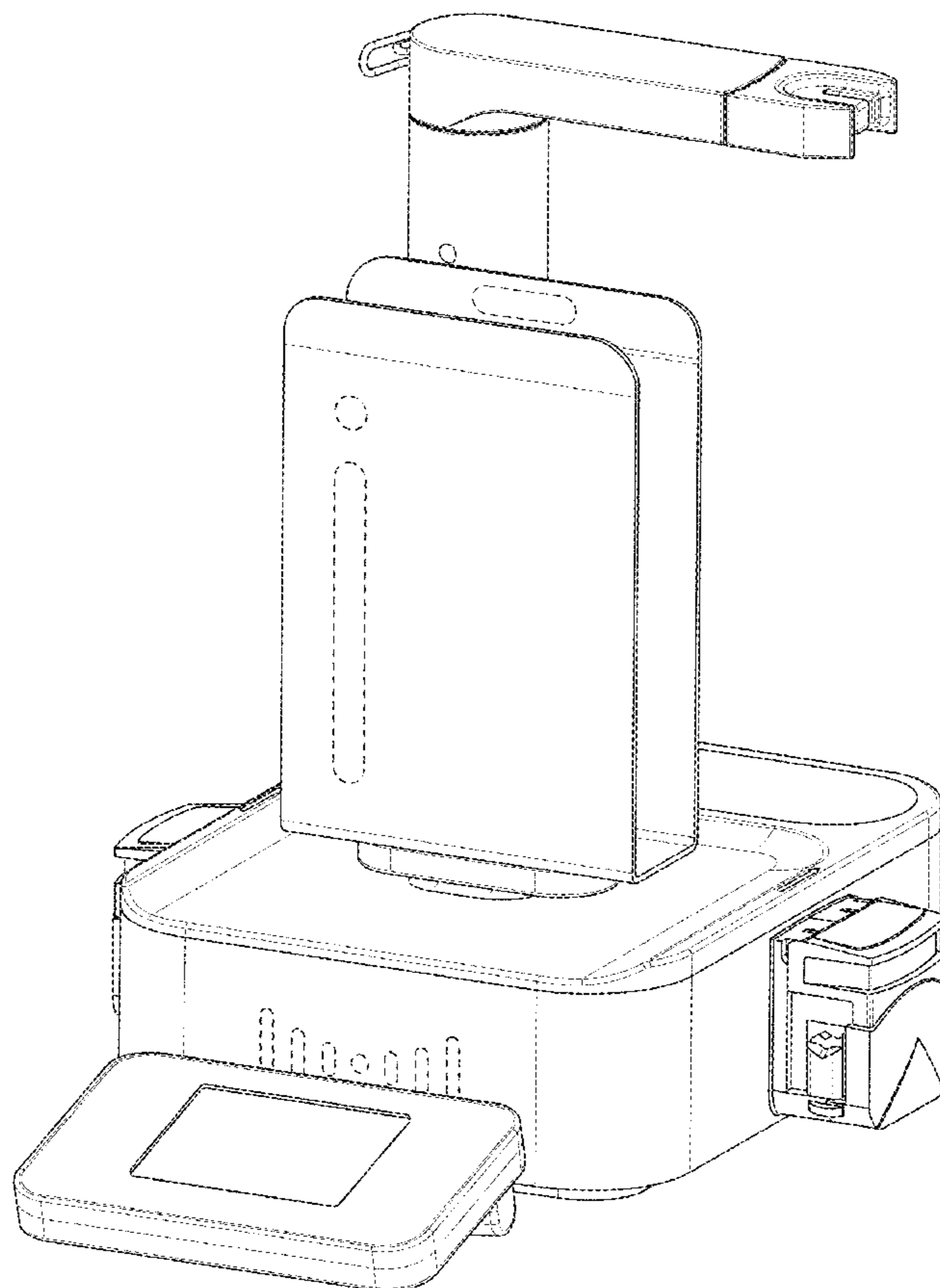
(57) **CLAIM**

The ornamental design for a gravimetric dilutor for micro-
biological analysis, as shown and described.

DESCRIPTION

FIG. 1 is a perspective view of a gravimetric dilutor for
microbiological analysis in accordance with the design;
FIG. 2 is a front view thereof;
FIG. 3 is a back view thereof;
FIG. 4 is a left side view thereof;
FIG. 5 is a right side view thereof; and,
FIG. 6 is a top plan view thereof.
Any broken lines present in the drawings are for illustrative
purposes only and form no part of the design to be patented.

1 Claim, 6 Drawing Sheets



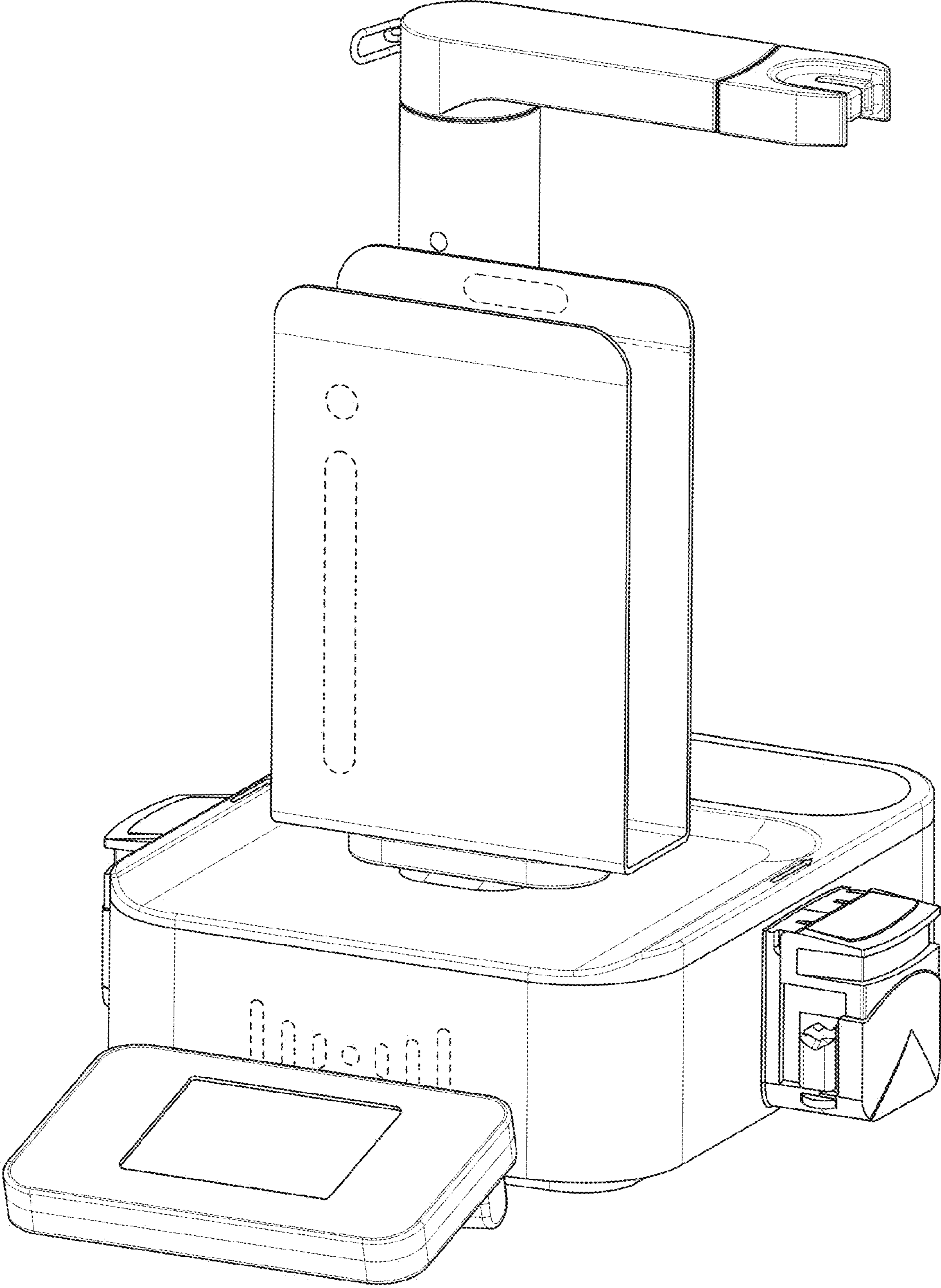


FIG. 1

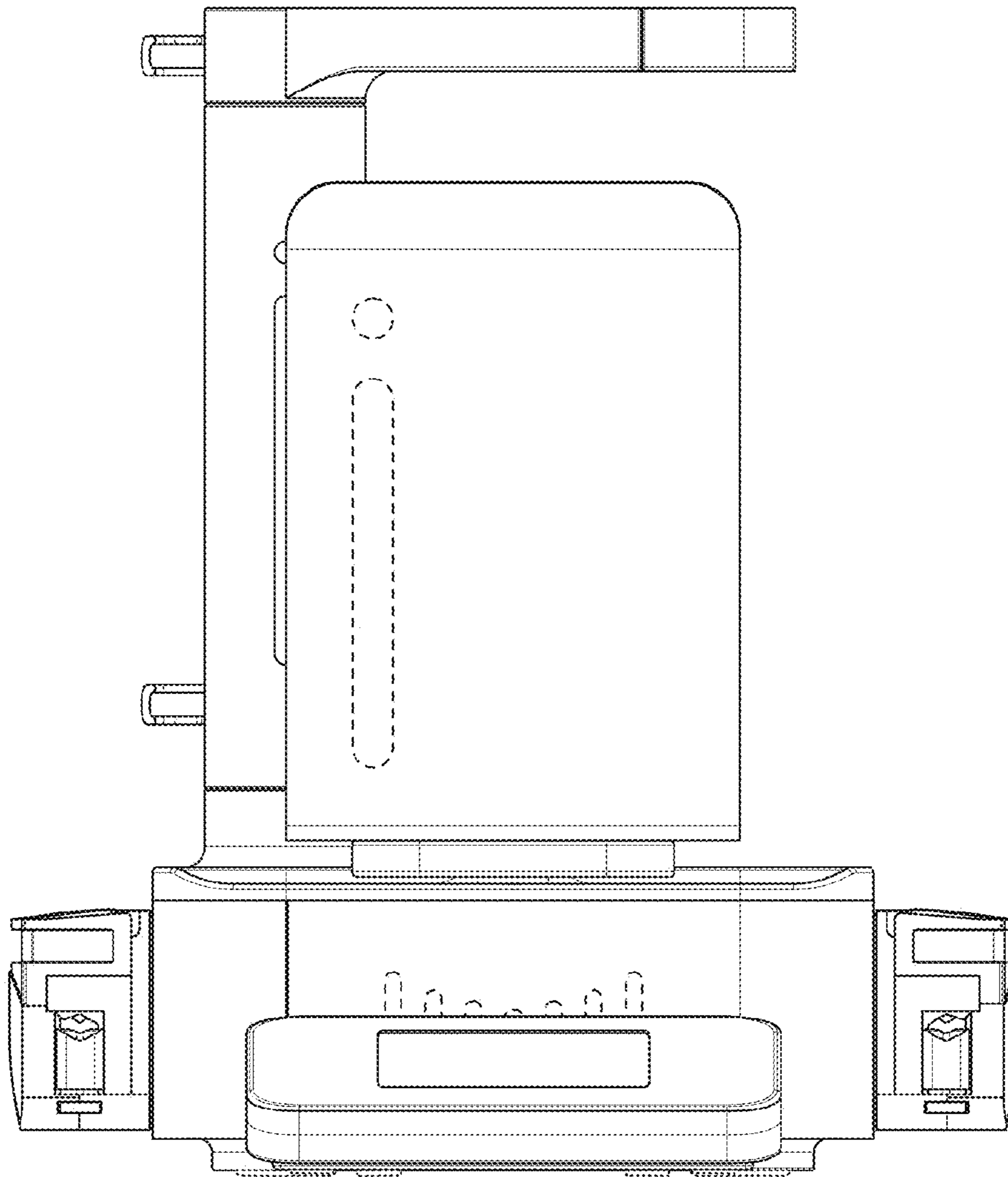


FIG. 2

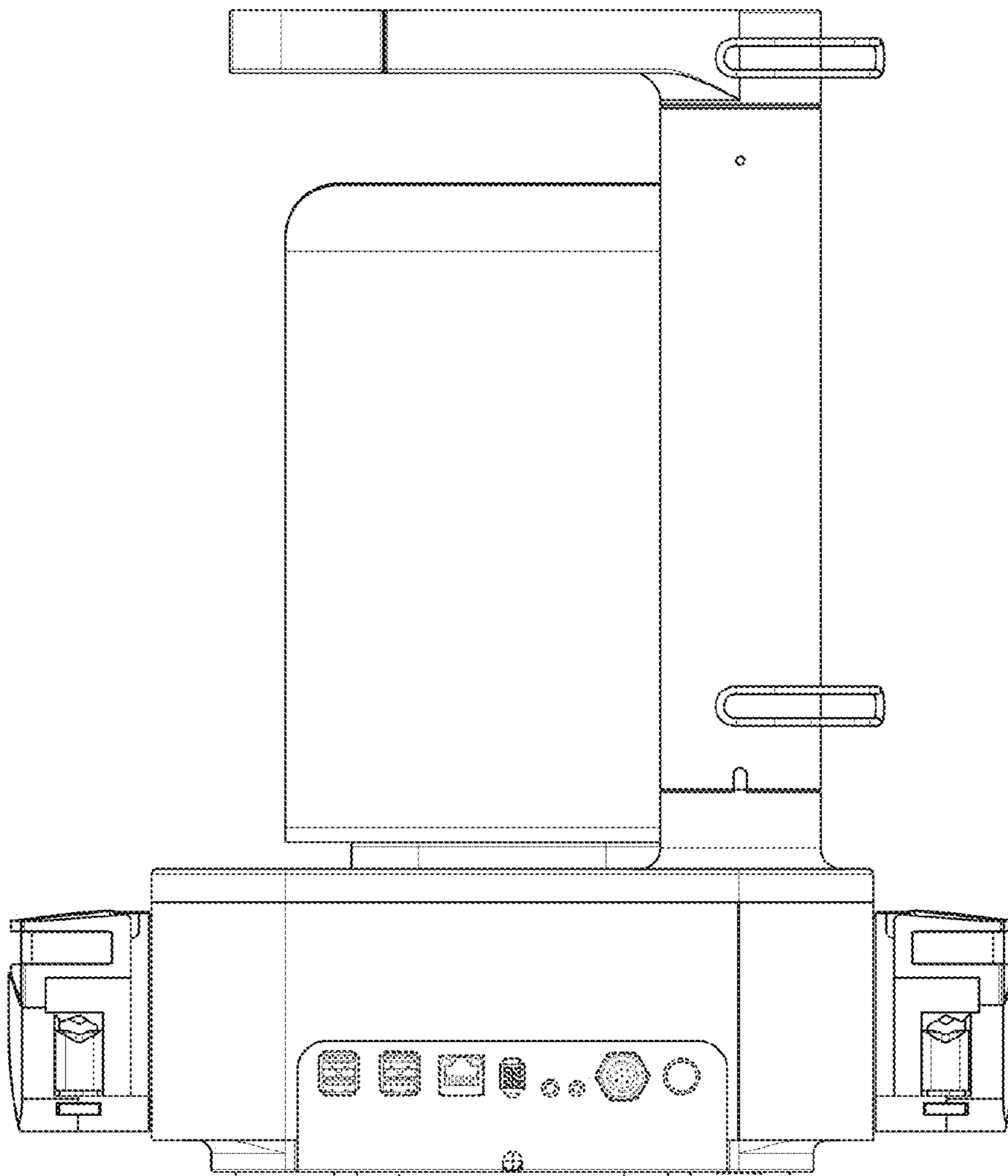


FIG. 3

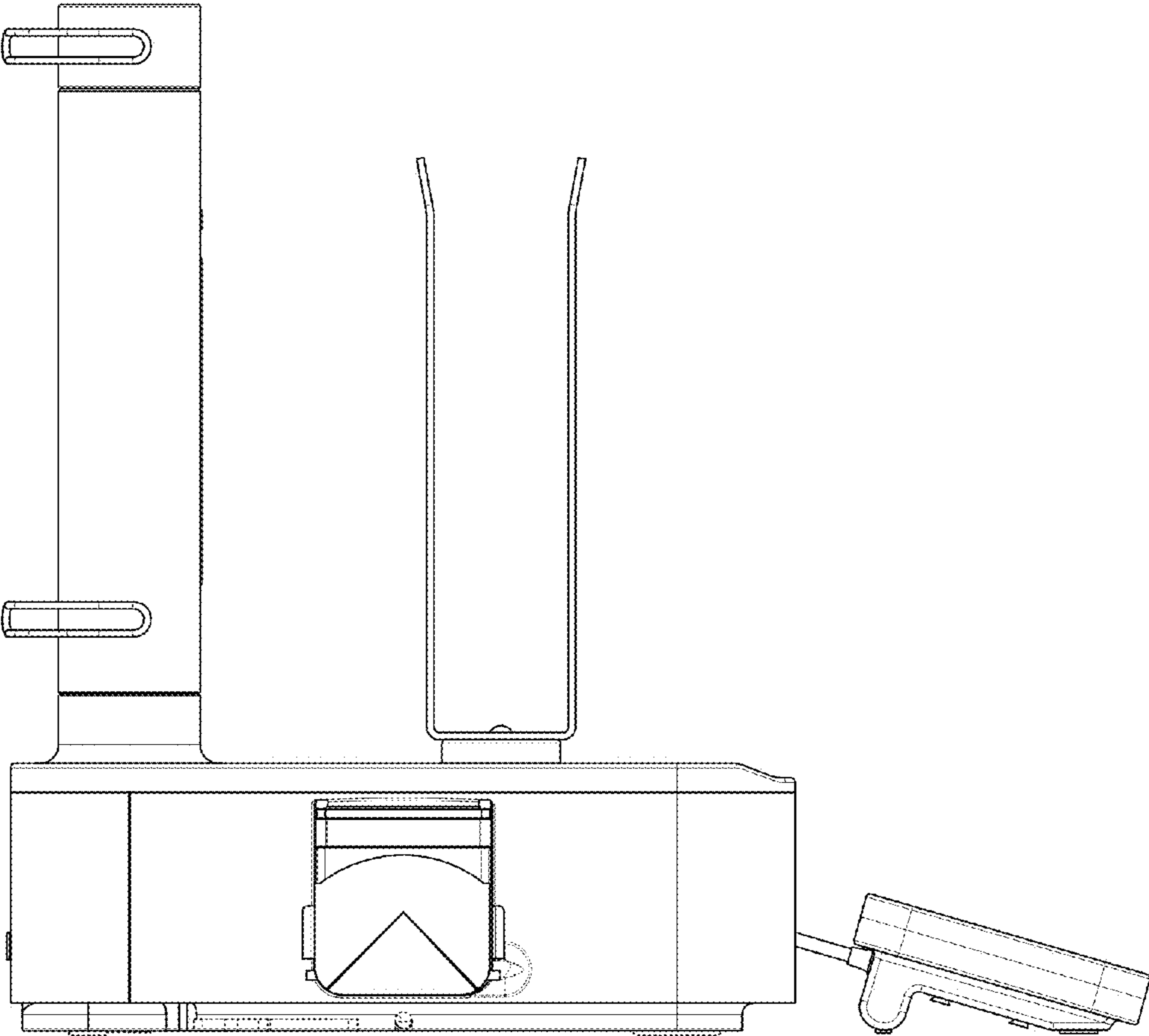


FIG. 4

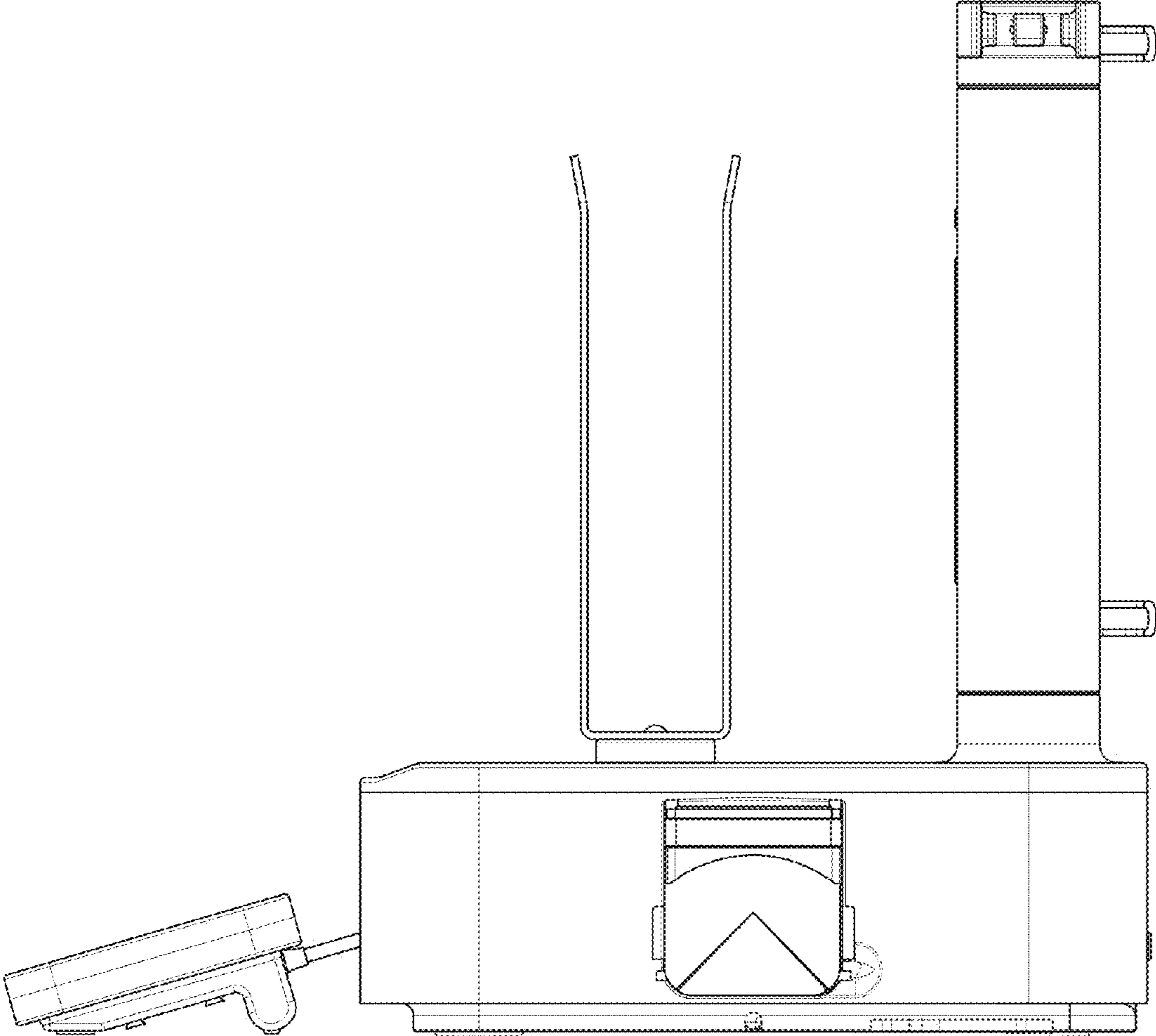


FIG. 5

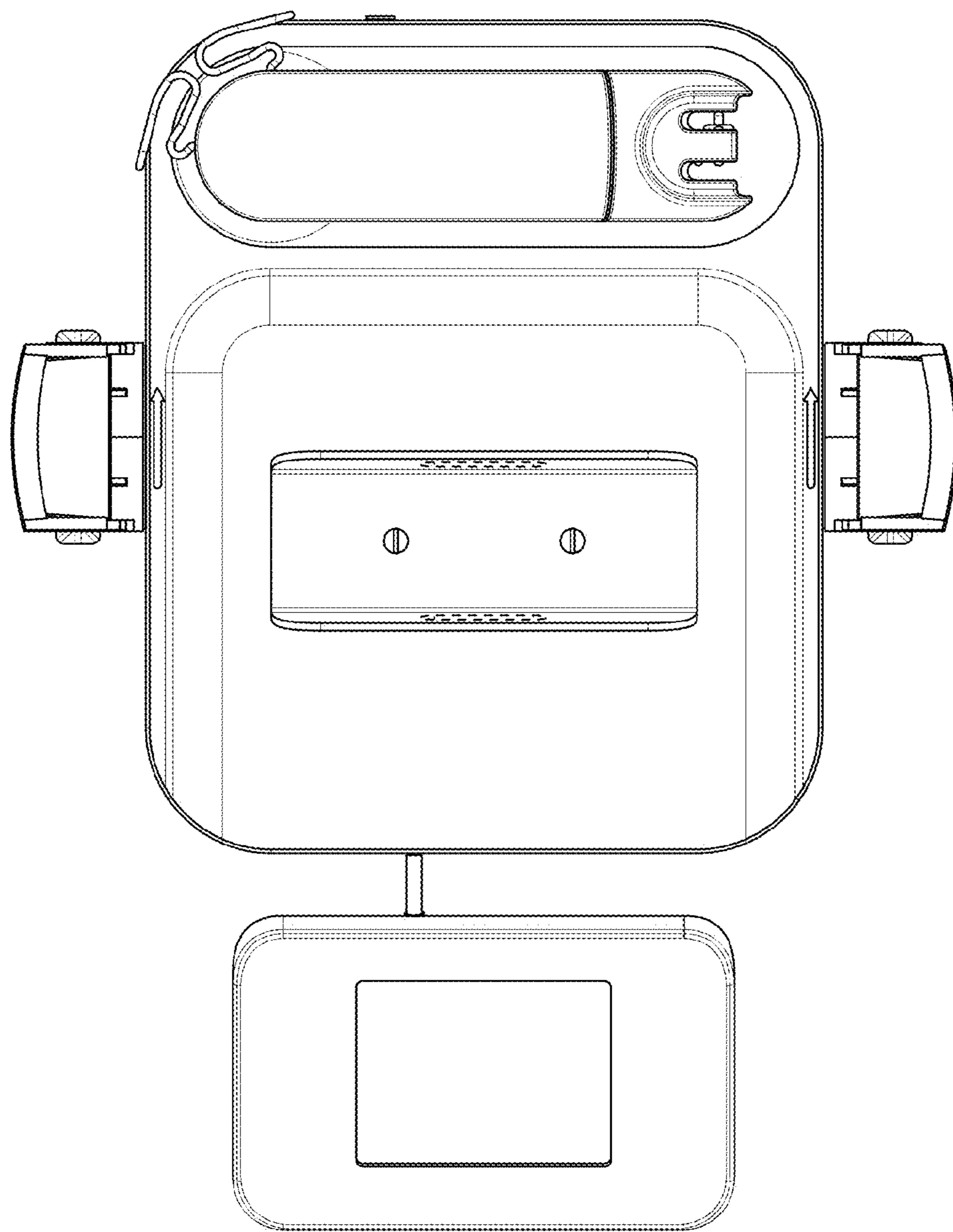


FIG. 6