



US00D714950S

(12) **United States Design Patent**
Lo

(10) **Patent No.:** **US D714,950 S**

(45) **Date of Patent:** **** Oct. 7, 2014**

(54) **FOOD FEEDER SAC**

(56) **References Cited**

(71) Applicant: **Dongguan Kidsme Industrial Limited,**
Guangdong (CN)

U.S. PATENT DOCUMENTS

(72) Inventor: **Fu Man Herman Lo,** Hong Kong (HK)

497,940	A *	5/1893	Bacon	220/703
D221,972	S *	9/1971	Kennedy	D7/507
D325,492	S *	4/1992	Fabricius	D7/540
D378,417	S *	3/1997	Panagakos et al.	D24/194
D380,270	S *	6/1997	Rekar	D24/194
D431,418	S *	10/2000	Moran	D7/523
D481,461	S *	10/2003	Roehrig	D24/194
7,001,357	B2 *	2/2006	Berry, Sr.	604/77
D548,527	S *	8/2007	Rigby et al.	D7/523
D558,354	S *	12/2007	Roehrig	D24/194
D580,711	S *	11/2008	Holmes	D7/524
7,901,375	B2 *	3/2011	Dunn et al.	604/77
D658,772	S *	5/2012	Roehrig	D24/194
8,545,439	B2 *	10/2013	Lo	604/77
8,545,537	B2 *	10/2013	Murphy Matro	606/234
8,597,235	B2 *	12/2013	Lo	604/77
D700,806	S *	3/2014	Joy	D7/507
2005/0245861	A1 *	11/2005	Dunn et al.	604/77
2005/0258123	A1 *	11/2005	Silver	215/11.1

(73) Assignee: **Dongguan Kidsme Industrial Limited,**
Dongguan (CN)

(**) Term: **14 Years**

(21) Appl. No.: **29/467,181**

(22) Filed: **Sep. 16, 2013**

(30) **Foreign Application Priority Data**

Apr. 9, 2013 (CN) 2013 3 0105110

(51) **LOC (10) Cl.** **24-04**

(52) **U.S. Cl.**
USPC **D24/194; D7/602**

(58) **Field of Classification Search**
USPC D7/510, 511, 512, 523, 507, 531, 524,
D7/537, 528, 533, 536, 509, 515, 514, 543,
D7/545, 586, 318, 542, 590, 602, 500;
220/8, 92, 714, 666, 23.83, 719, 713,
220/630, 710.5, 212.5, 717; 215/11.5, 398,
215/378, 6, 11.1; 206/218, 581; D24/197,
D24/121, 122, 194; D9/503, 504; D10/46.2;
606/234; 604/77

See application file for complete search history.

* cited by examiner

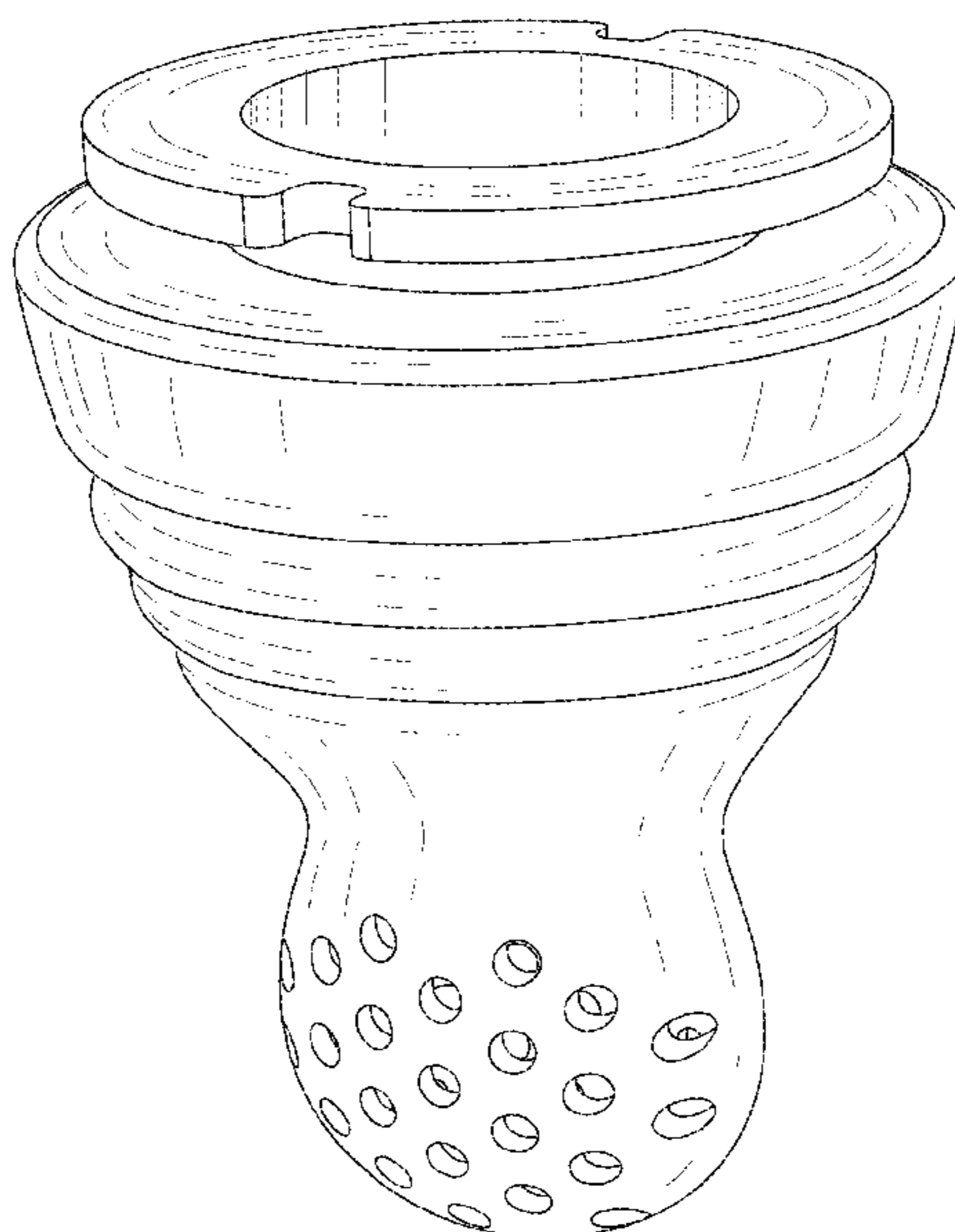
Primary Examiner — Marianne Pandozzi

(57) **CLAIM**
The ornamental design for a food feeder sac, as shown and described.

DESCRIPTION

FIG. 1 is a front elevation view of a food feeder sac showing my new design;
FIG. 2 is a rear elevation view thereof;
FIG. 3 is a left side view thereof;
FIG. 4 is a right side view thereof;
FIG. 5 is a top plan view thereof;
FIG. 6 is a bottom plan view thereof; and,
FIG. 7 is a perspective view thereof.

1 Claim, 7 Drawing Sheets



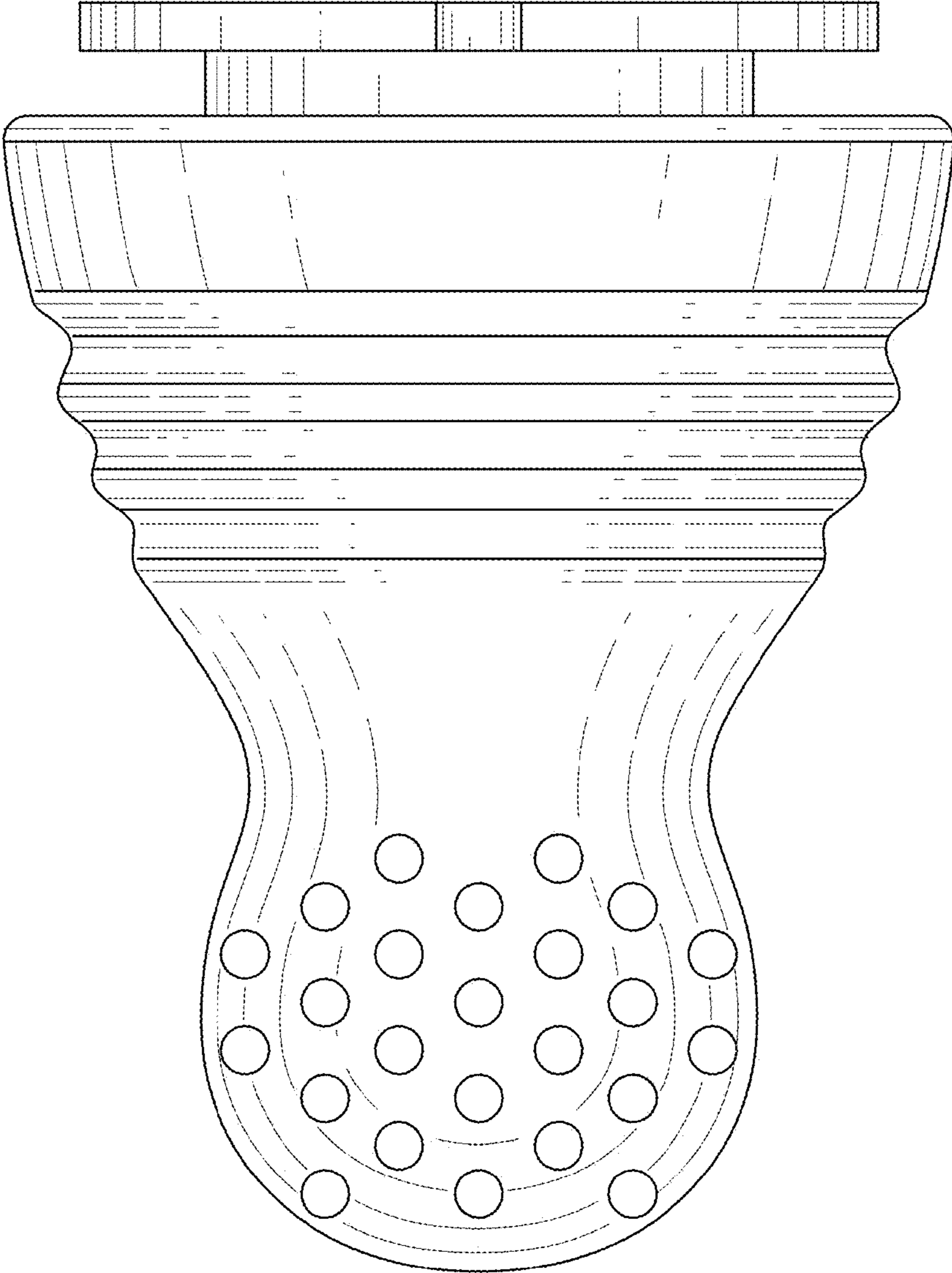


FIG. 1

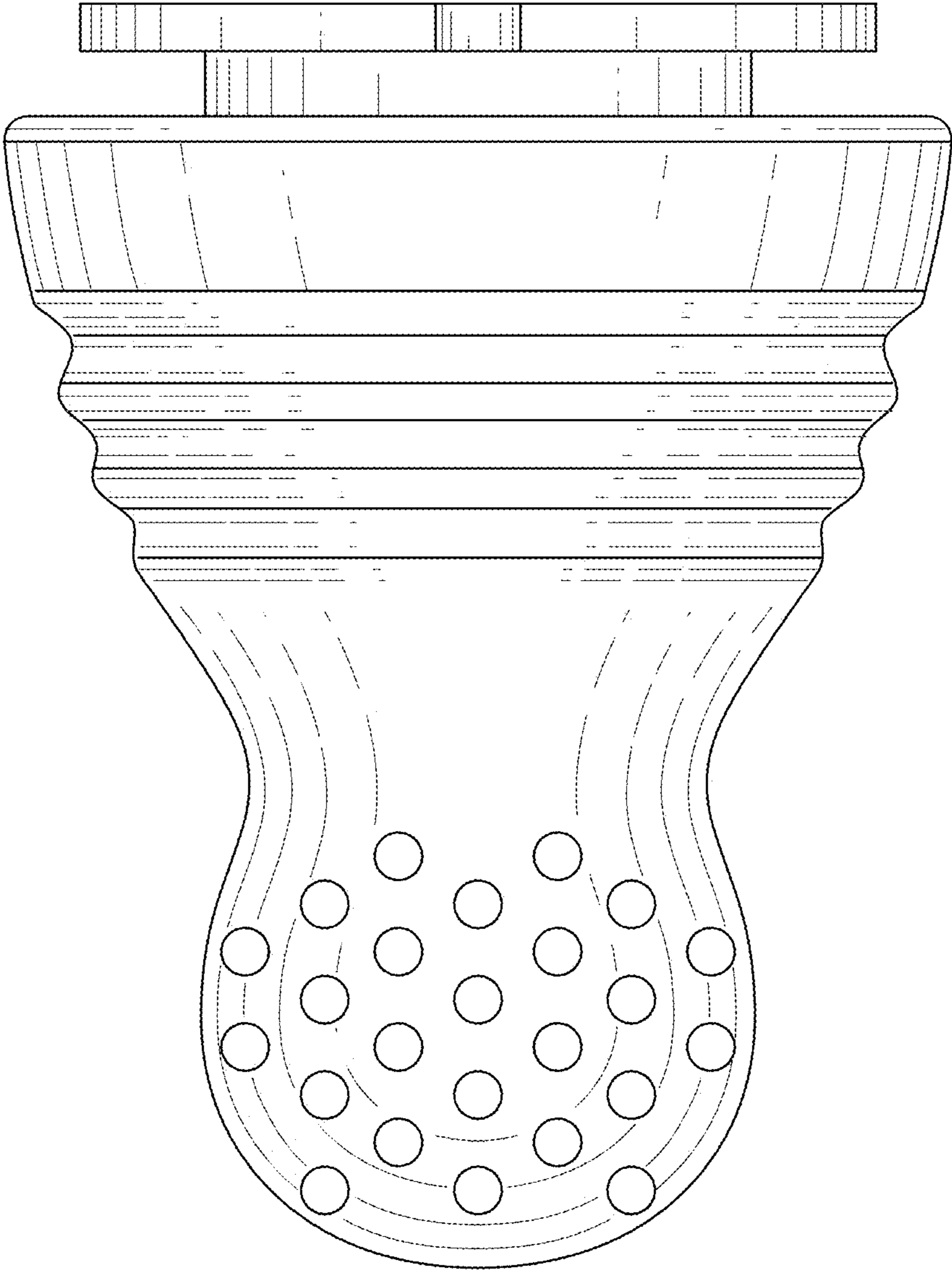


FIG. 2

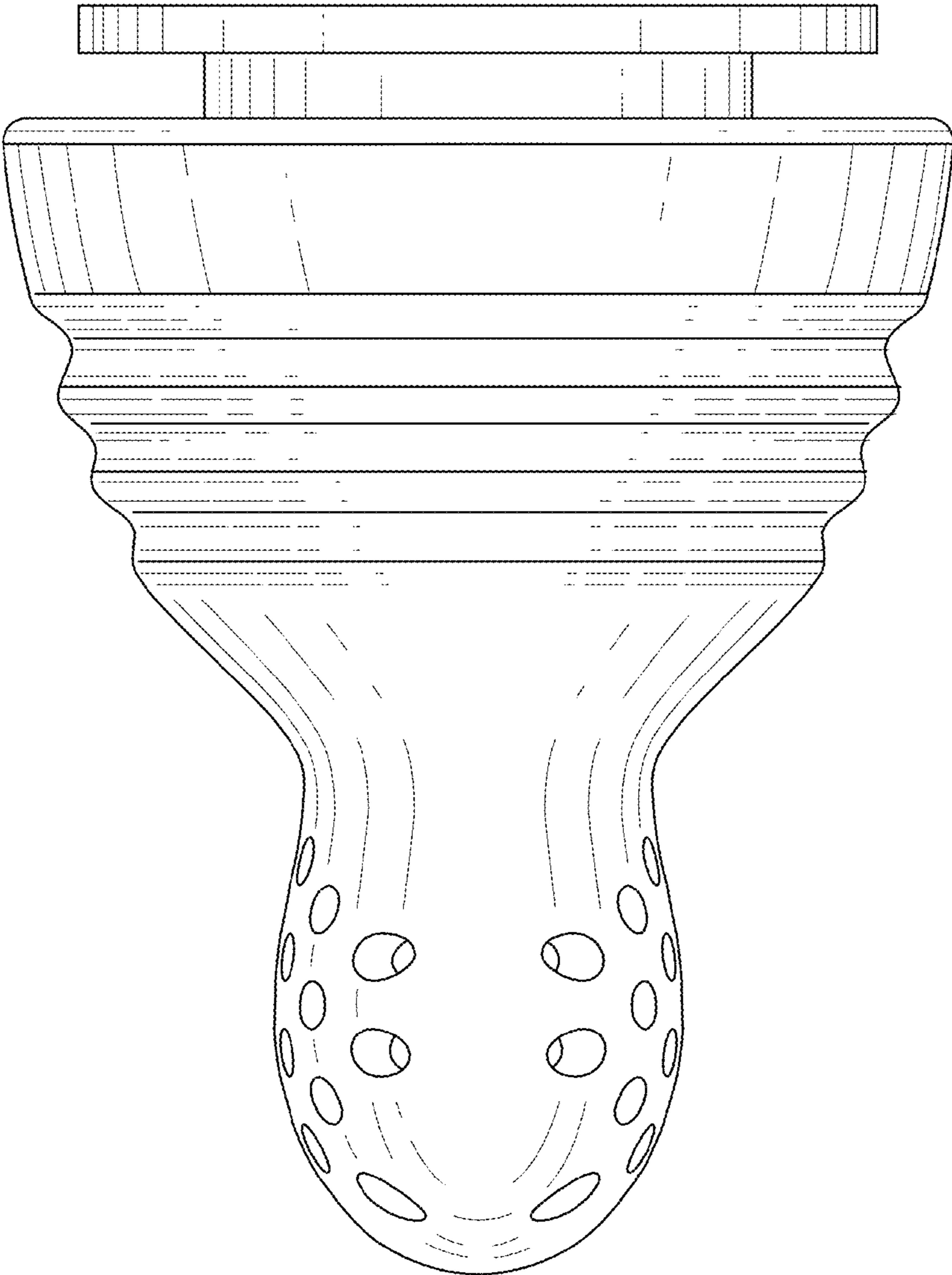


FIG. 3

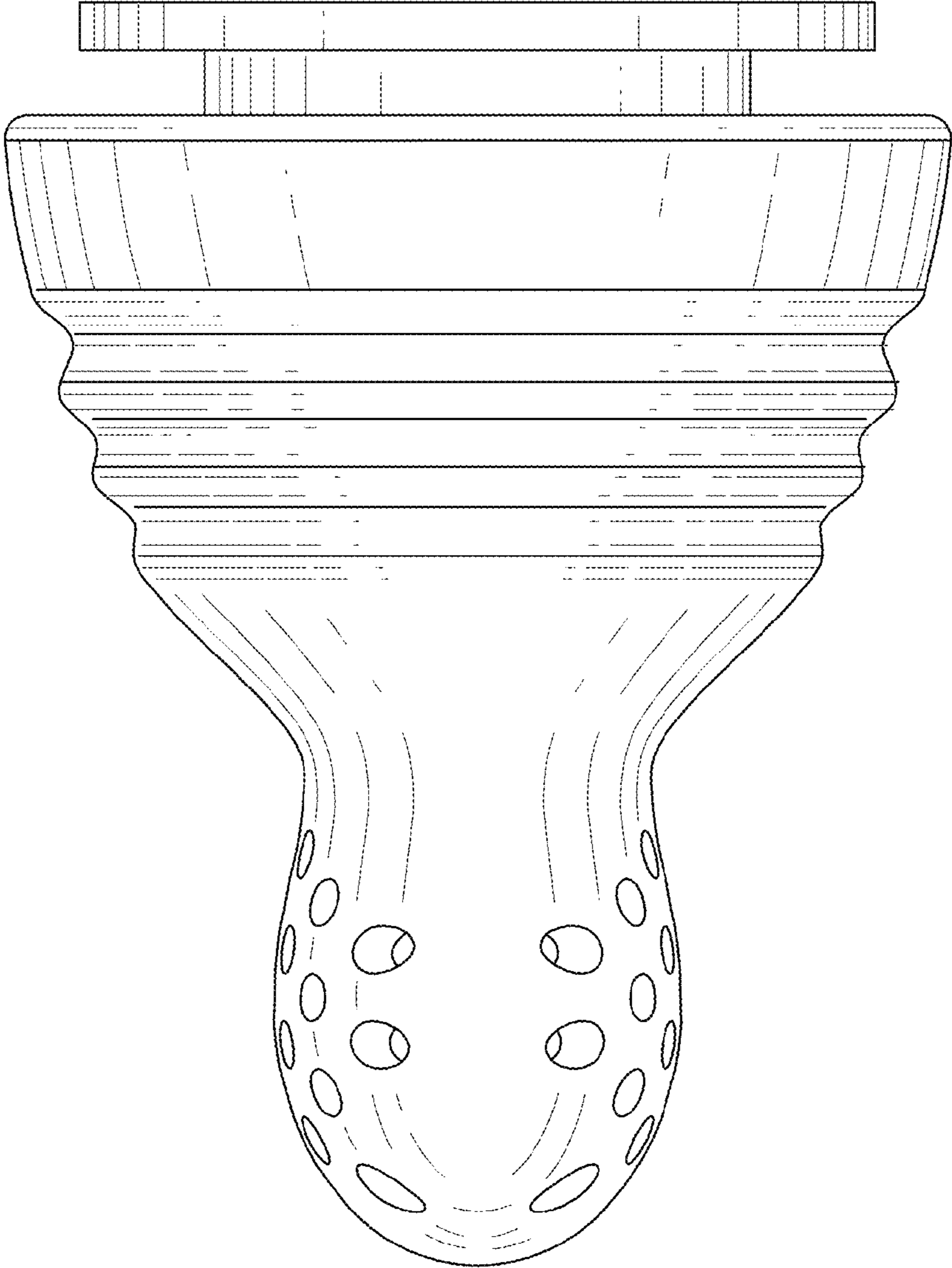


FIG. 4

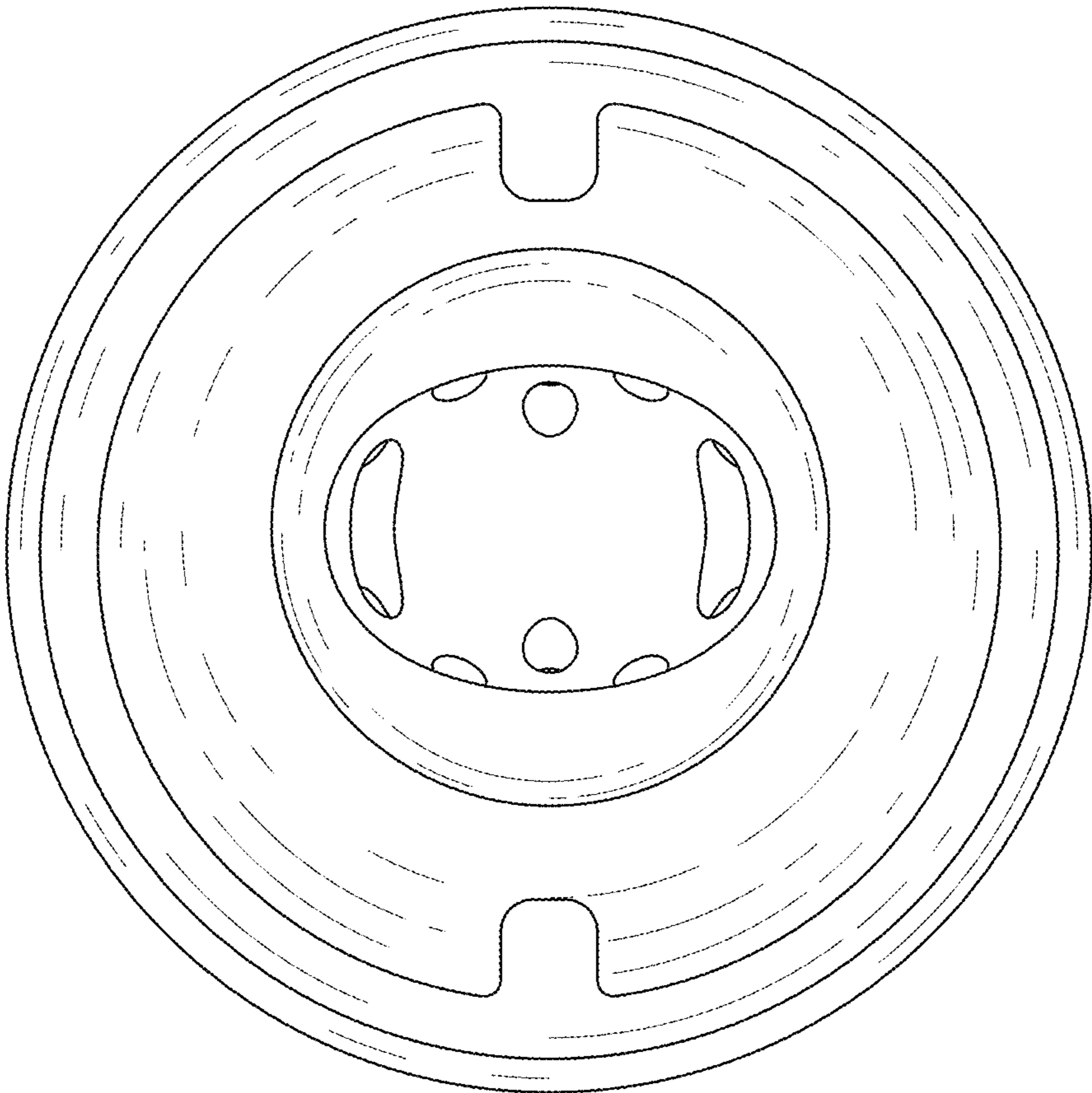


FIG. 5

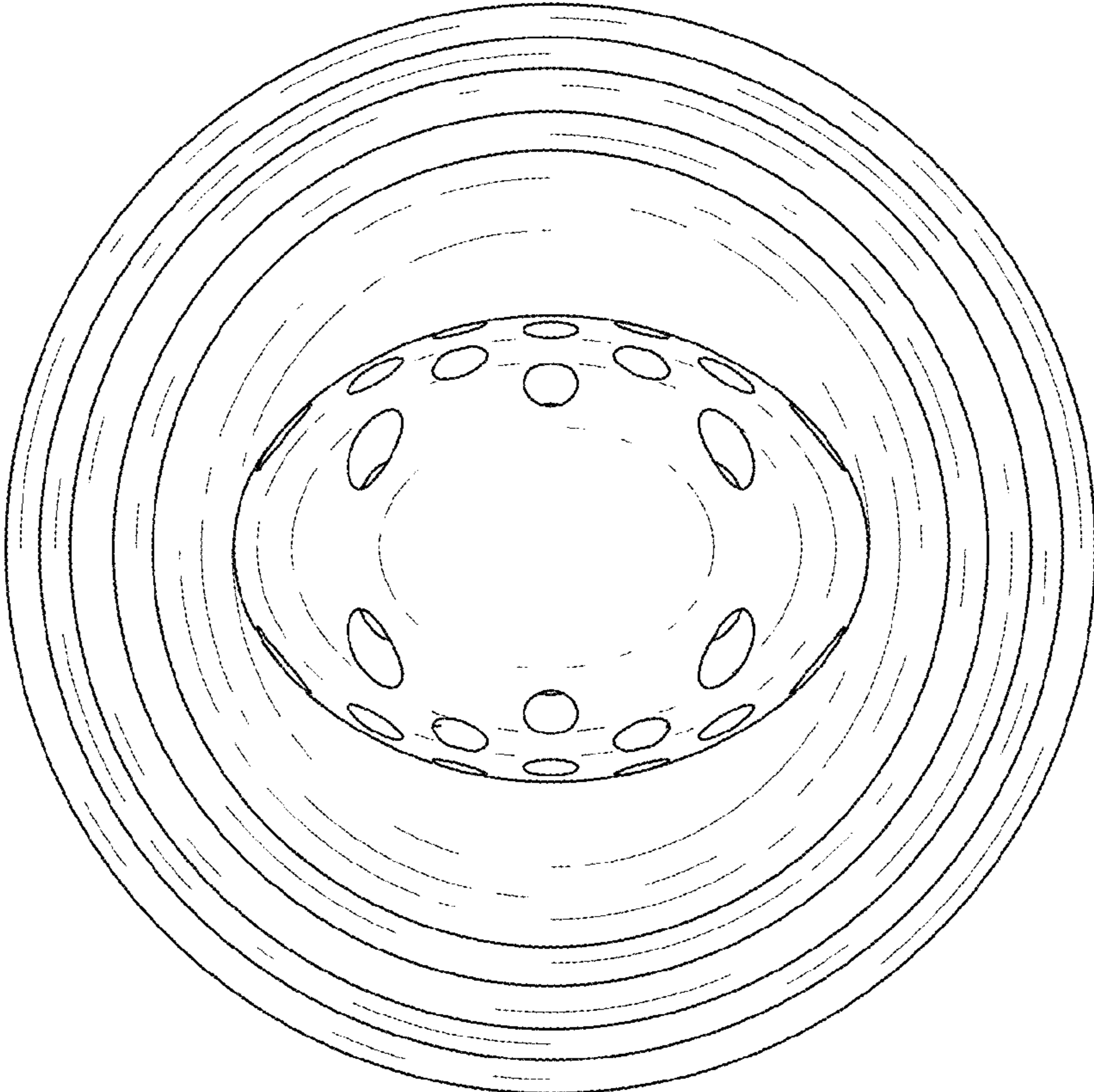


FIG. 6

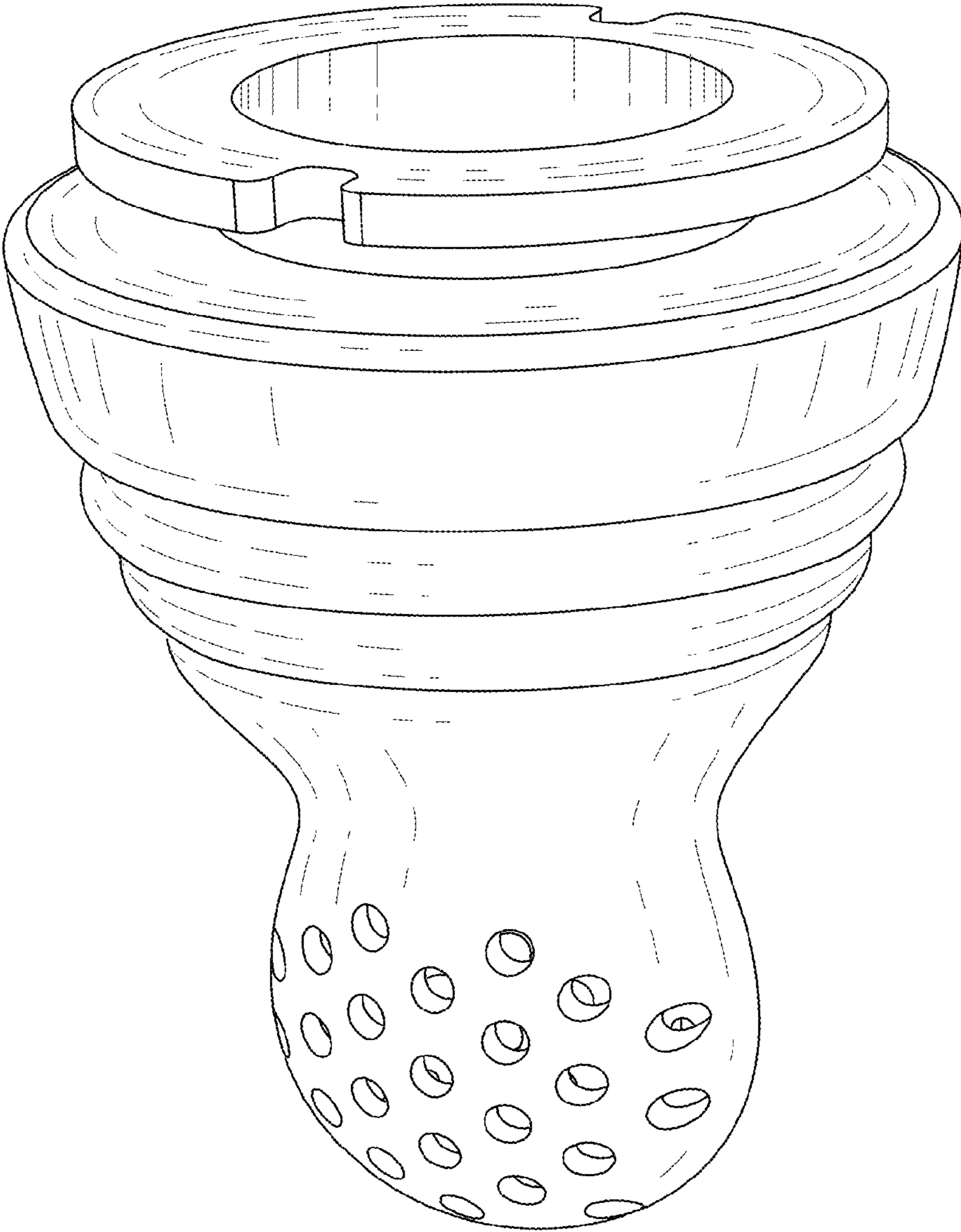


FIG. 7