



US00D714948S

(12) **United States Design Patent**
Vaccarella

(10) **Patent No.:** **US D714,948 S**

(45) **Date of Patent:** **** Oct. 7, 2014**

(54) **MONITOR FOR ANALYTE DETECTION**

(71) Applicant: **Echo Therapeutics, Inc.**, Philadelphia, PA (US)

(72) Inventor: **Lorenzo C. Vaccarella**, Cumberland, RI (US)

(73) Assignee: **Echo Therapeutics, Inc.**, Philadelphia, PA (US)

(**) Term: **14 Years**

(21) Appl. No.: **29/455,832**

(22) Filed: **May 24, 2013**

Related U.S. Application Data

(63) Continuation of application No. 29/455,528, filed on May 21, 2013.

(51) **LOC (10) Cl.** **24-01**

(52) **U.S. Cl.**
USPC **D24/186**

(58) **Field of Classification Search**

CPC A61B 5/14532; A61B 5/1455; A61B 5/14546; A61B 5/14551; A61B 5/14552; G01N 27/3271; G01N 33/54386; C12Q 1/006
USPC D24/114, 133, 169, 175, 186; 600/316, 600/365, 345, 309-310, 322, 368; D10/78, D10/81; 604/66; 422/68.1, 564; 205/792; 435/287.1

See application file for complete search history.

(56) **References Cited**

U.S. PATENT DOCUMENTS

D530,424 S * 10/2006 Manser et al. D24/169
D550,363 S * 9/2007 Hannant et al. D24/186
D567,938 S * 4/2008 Shinohara D24/114
D569,982 S * 5/2008 Loerwald D24/186
D634,432 S * 3/2011 Liedtke et al. D24/169

D637,287 S * 5/2011 Mudd et al. D24/133
D648,029 S * 11/2011 Presta et al. D24/169
D664,258 S * 7/2012 Harkin et al. D24/186
D679,400 S * 4/2013 Hiramura D24/169
D691,275 S * 10/2013 Weinitschke D24/175
D695,406 S * 12/2013 Tsai D24/169
D696,404 S * 12/2013 Golnik et al. D24/169

(Continued)

Primary Examiner — T. Chase Nelson

Assistant Examiner — Mark Cavanna

(74) *Attorney, Agent, or Firm* — Pabst Patent Group LLP

(57) **CLAIM**

I claim the ornamental design for a monitor for analyte detection, as shown and described.

DESCRIPTION

FIG. 1 is an isometric view of a monitor for analyte detection showing my new design with the abrader portion removed for clarity of illustration;

FIG. 2 is a front elevation view thereof;

FIG. 3 is a side elevation view thereof;

FIG. 4 is a back elevation view thereof;

FIG. 5 is the opposite side elevation view thereof;

FIG. 6 is a top elevation view thereof;

FIG. 7 is a bottom elevation view thereof;

FIG. 8 is a bottom isometric view thereof;

FIG. 9 is an isometric view of a monitor for analyte detection shown in FIG. 1 with the abrader portion attached;

FIG. 10 is a front elevation view thereof;

FIG. 11 is a side elevation view thereof;

FIG. 12 is a back elevation view thereof;

FIG. 13 is the opposite side elevation view thereof;

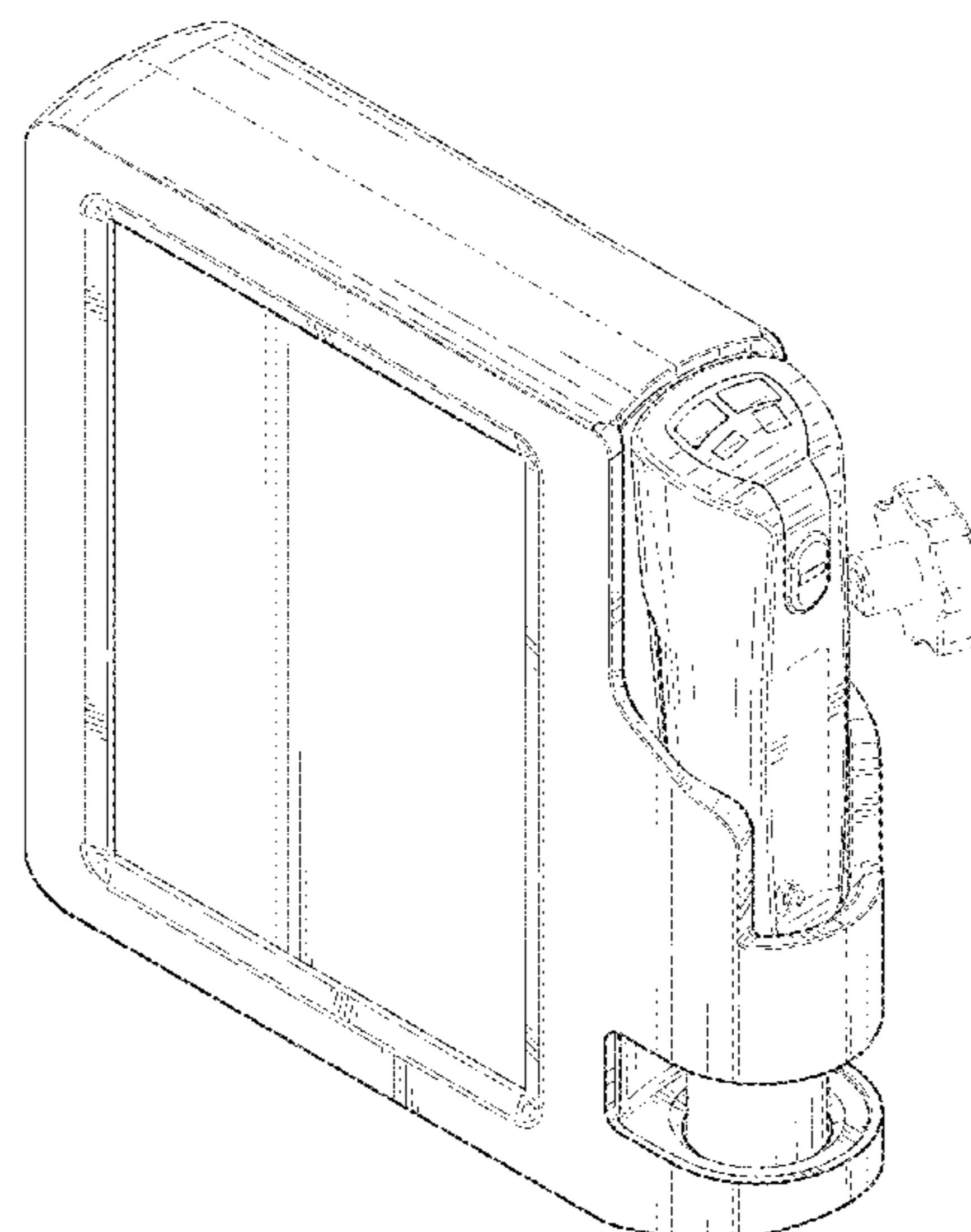
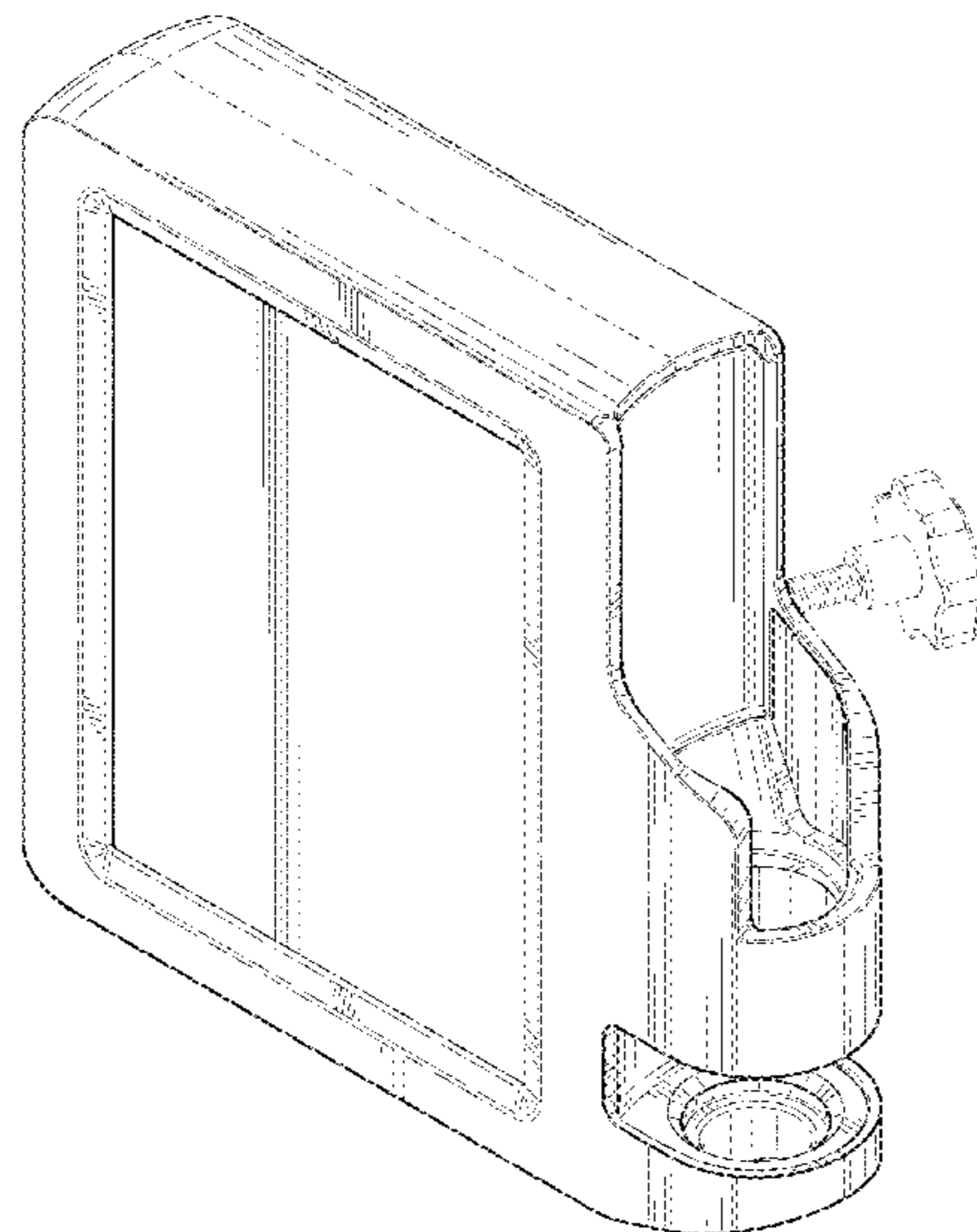
FIG. 14 is a top elevation view thereof;

FIG. 15 is a bottom elevation view thereof; and,

FIG. 16 is a bottom isometric view thereof.

The broken lines in the drawings are for purpose of illustrating portions of the monitor for analyte detection, which form no part of the claimed design.

1 Claim, 14 Drawing Sheets



(56)

References Cited

U.S. PATENT DOCUMENTS

D696,405 S *	12/2013	Koski et al.	D24/169	2006/0183985 A1 *	8/2006	Brister et al.	600/316
D698,443 S *	1/2014	Prais et al.	D24/169	2006/0259676 A1 *	11/2006	Oberding et al.	600/365
D699,853 S *	2/2014	Confield et al.	D24/169	2007/0208244 A1 *	9/2007	Brauker et al.	600/365
D700,342 S *	2/2014	Hiramura	D24/169	2008/0083617 A1 *	4/2008	Simpson et al.	204/403.1
D700,702 S *	3/2014	Kolb	D24/169	2008/0139910 A1 *	6/2008	Mastrototaro et al.	600/365
2002/0055673 A1 *	5/2002	Van Antwerp et al.	600/365	2008/0306434 A1 *	12/2008	Dobbles et al.	604/66
2004/0054267 A1 *	3/2004	Feldman et al.	600/316	2010/0022862 A1 *	1/2010	Wang et al.	600/345
2005/0027181 A1 *	2/2005	Goode et al.	600/365	2011/0218414 A1 *	9/2011	Kamath et al.	600/345
				2011/0263953 A1 *	10/2011	Markle et al.	600/310
				2012/0226122 A1 *	9/2012	Meuniot et al.	600/309
				2012/0238849 A1 *	9/2012	Holtzclaw et al.	604/66

* cited by examiner

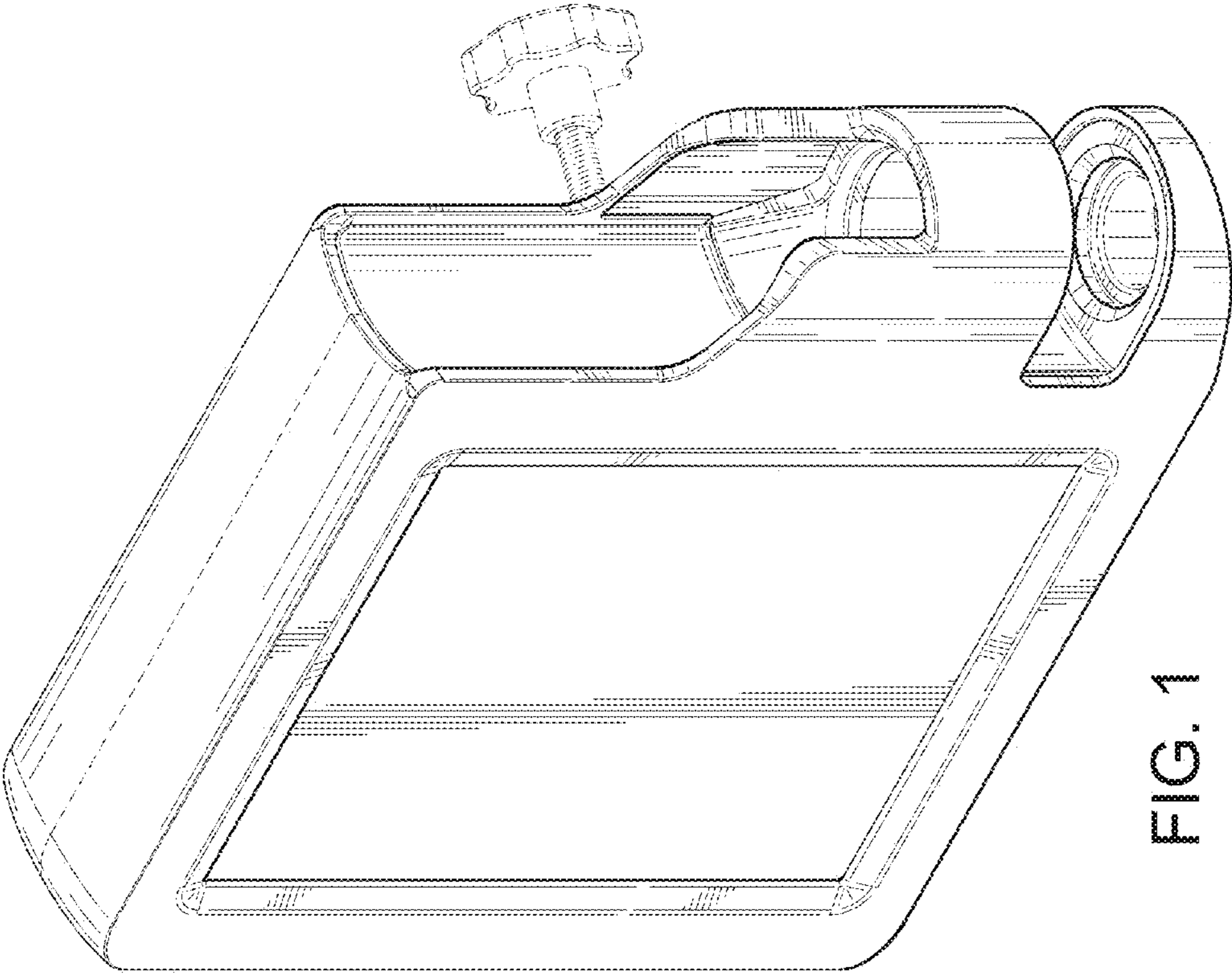


FIG. 1

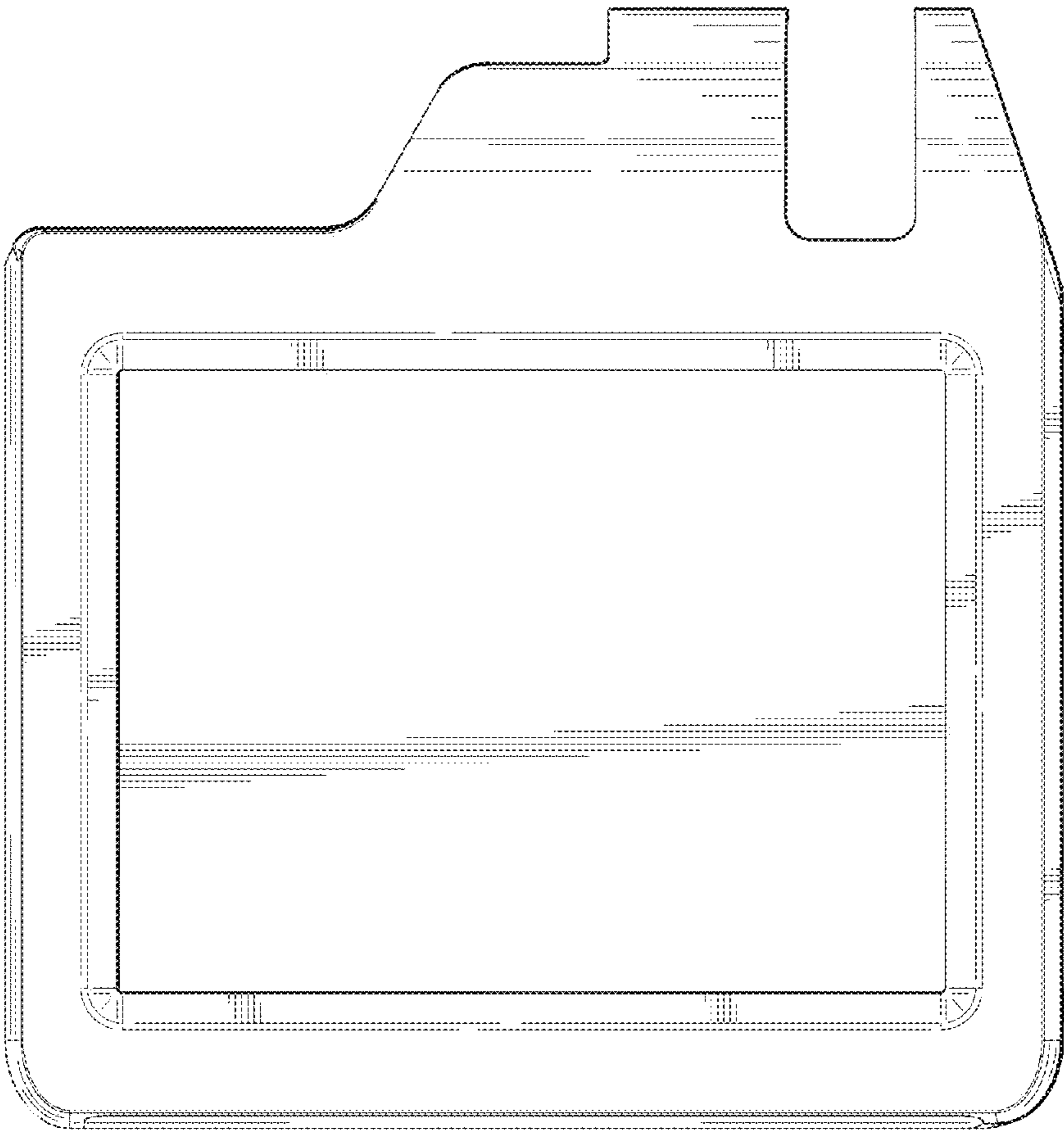


FIG. 2

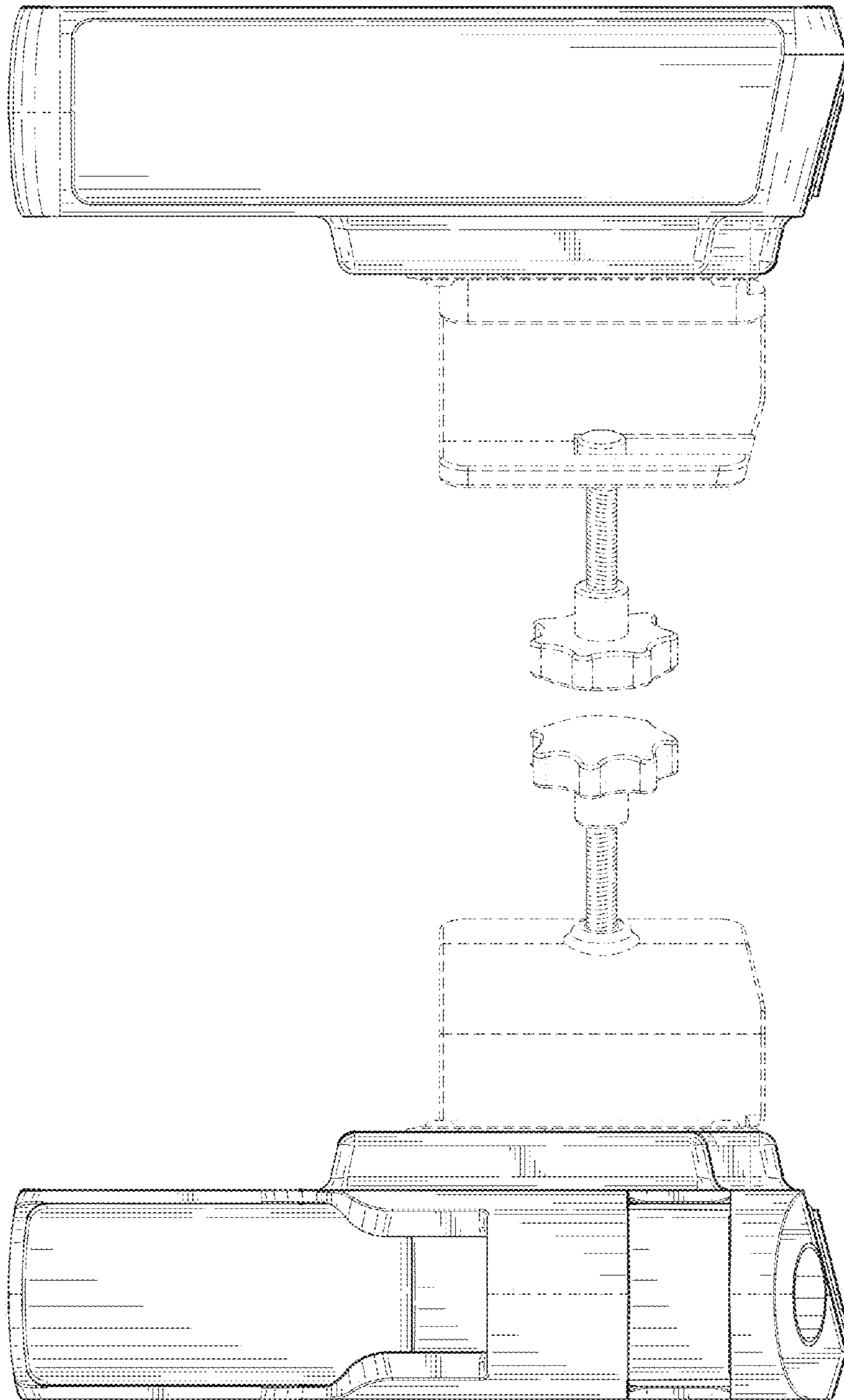


FIG. 5

FIG. 3

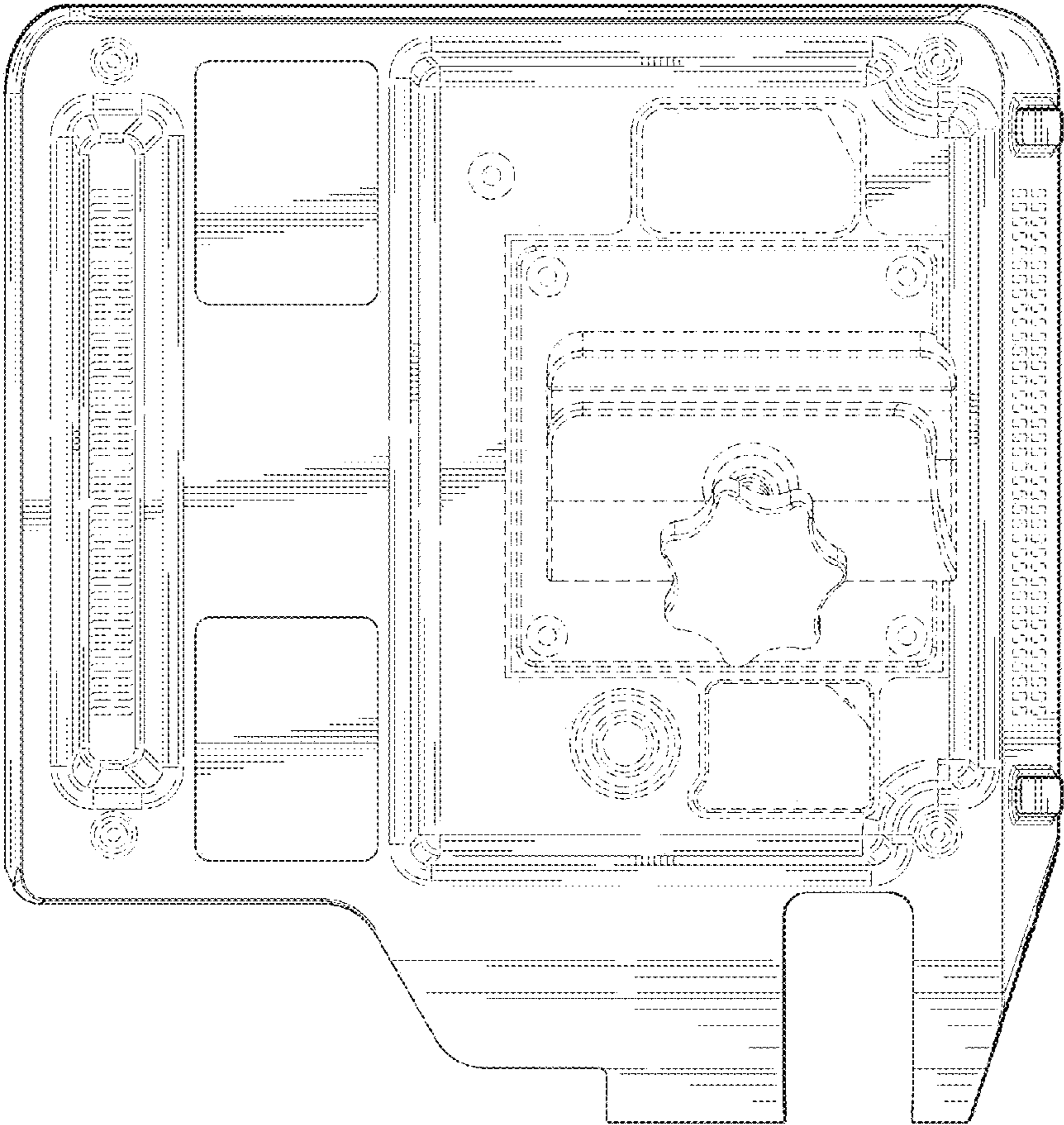


FIG. 4

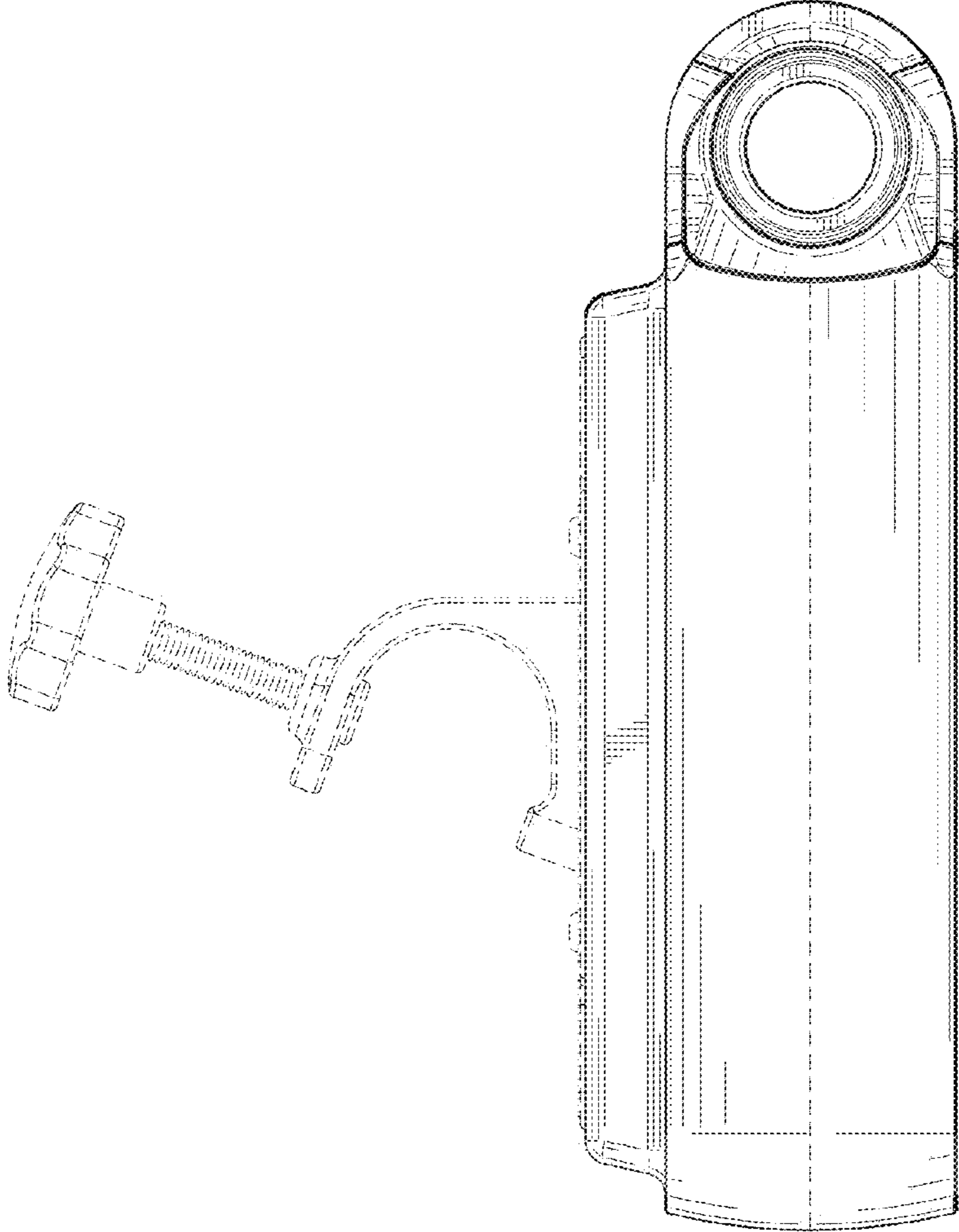


FIG. 6

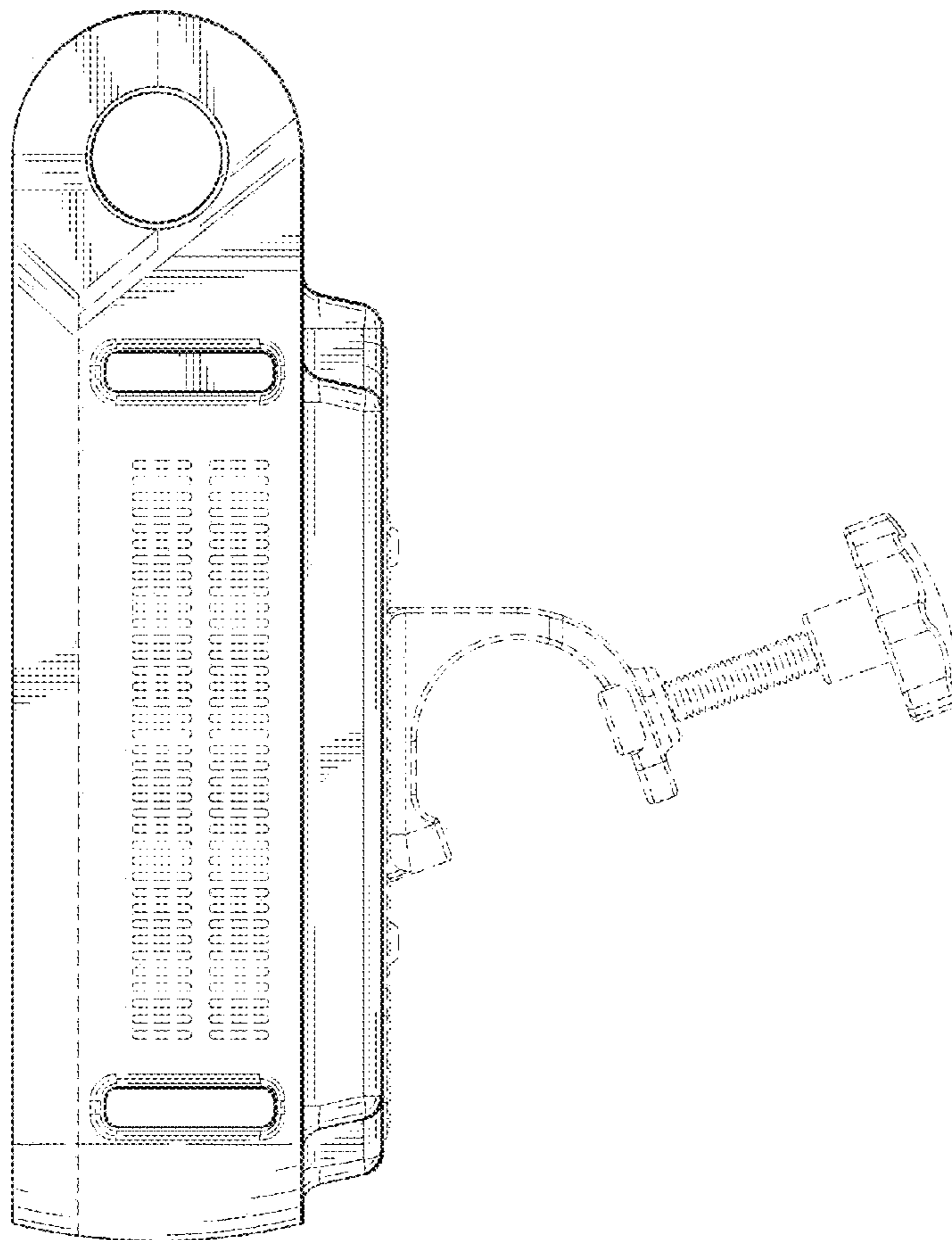


FIG. 7

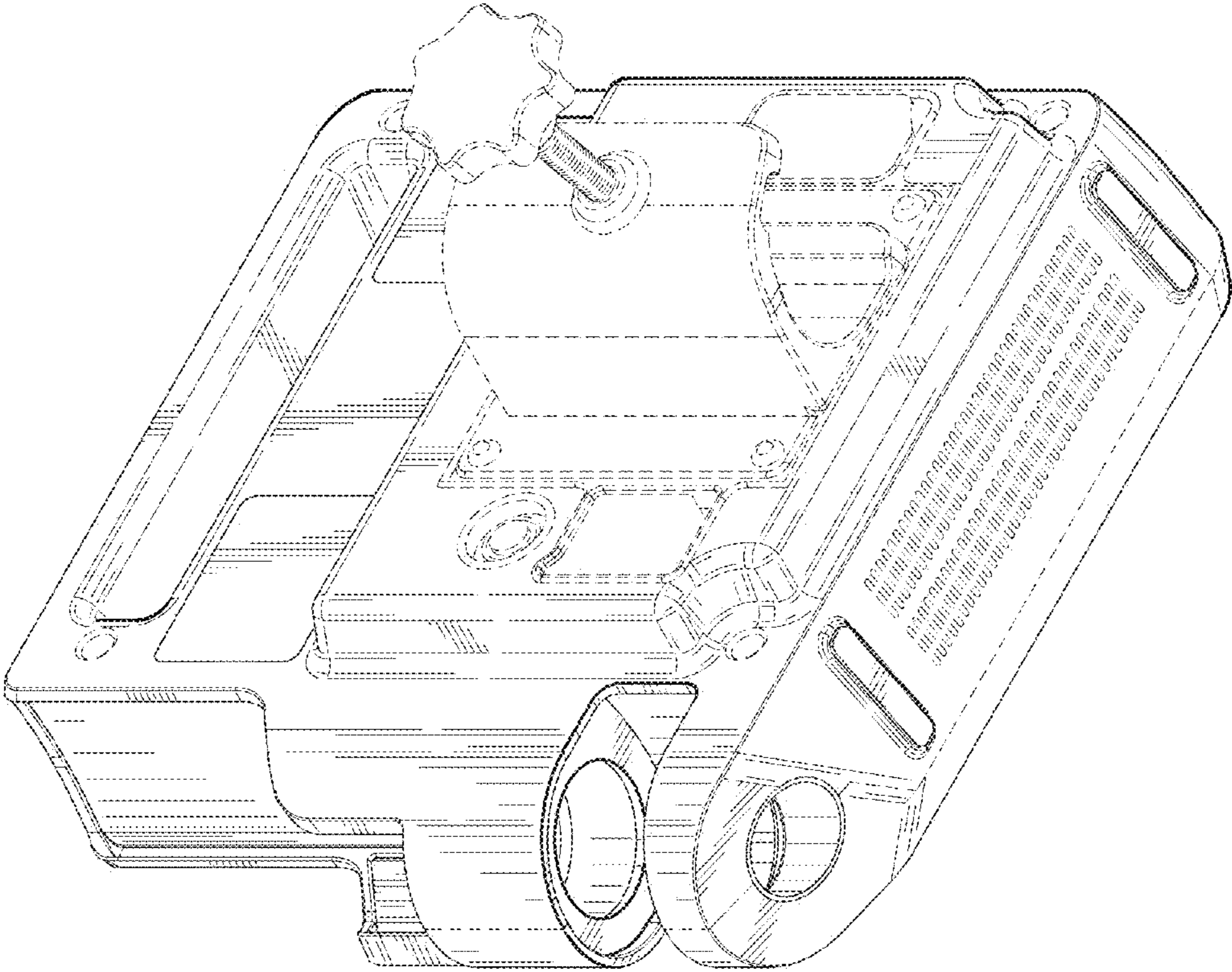


FIG. 8

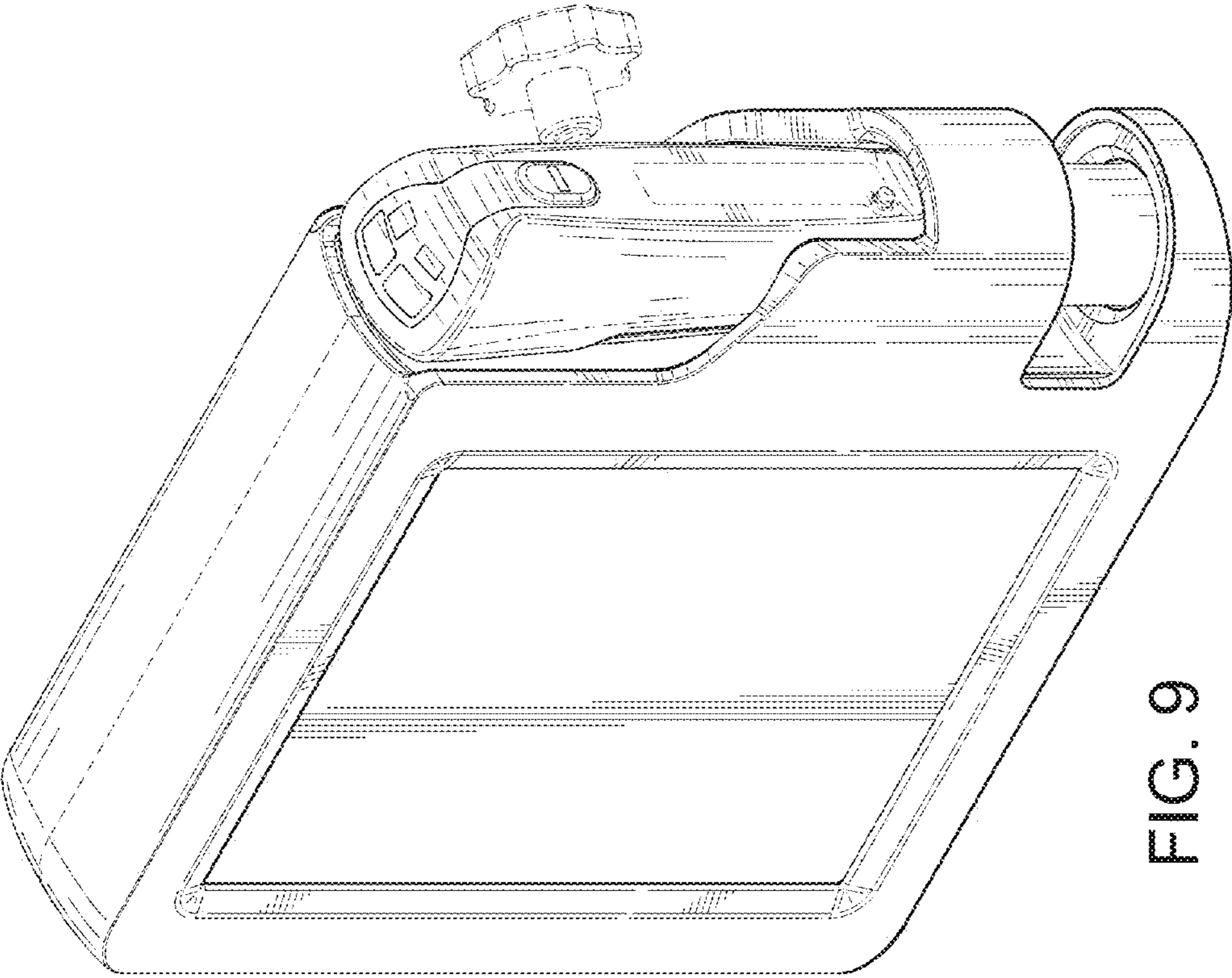


FIG. 9

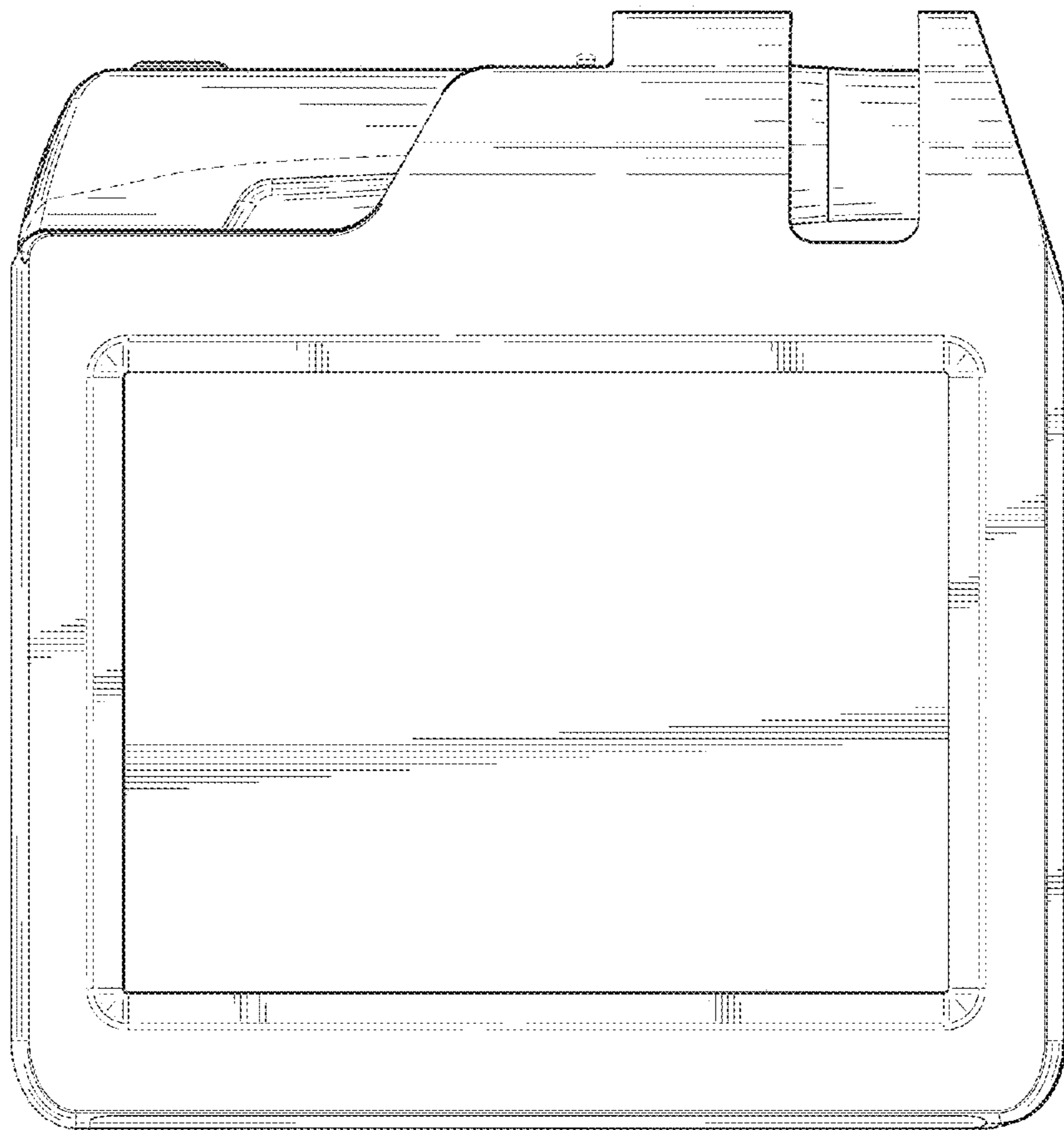


FIG. 10

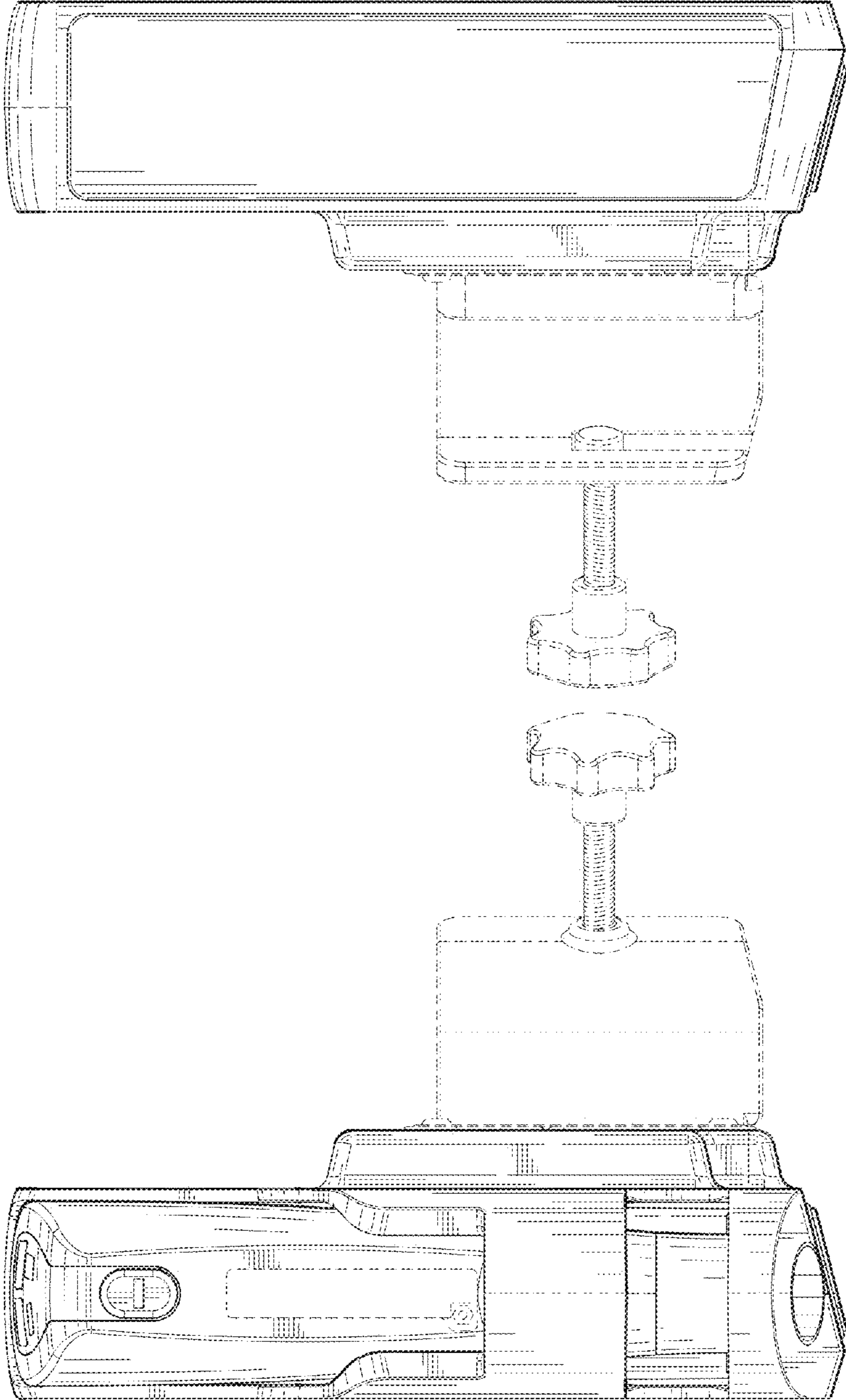


FIG. 13

FIG. 11

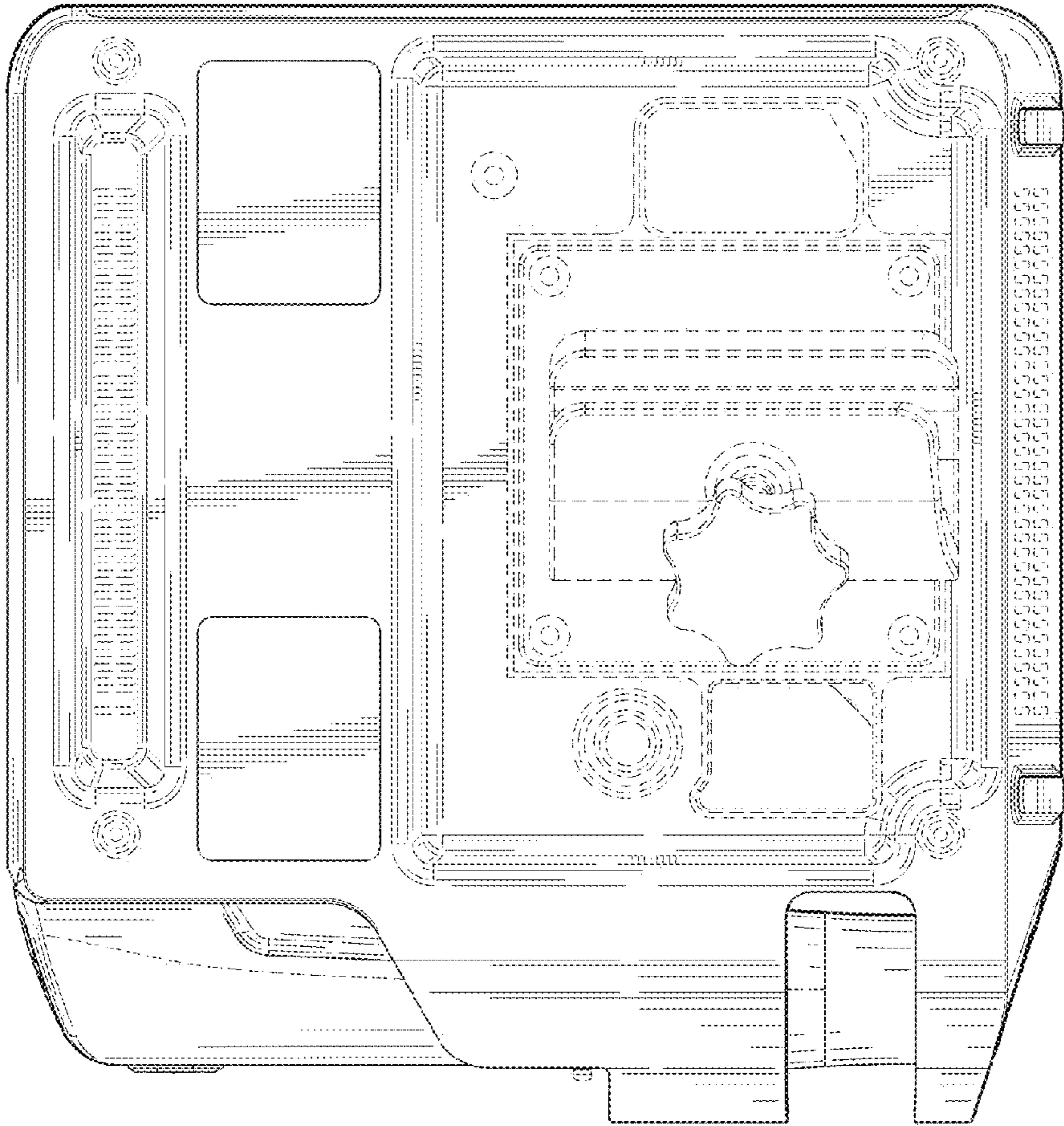


FIG. 12

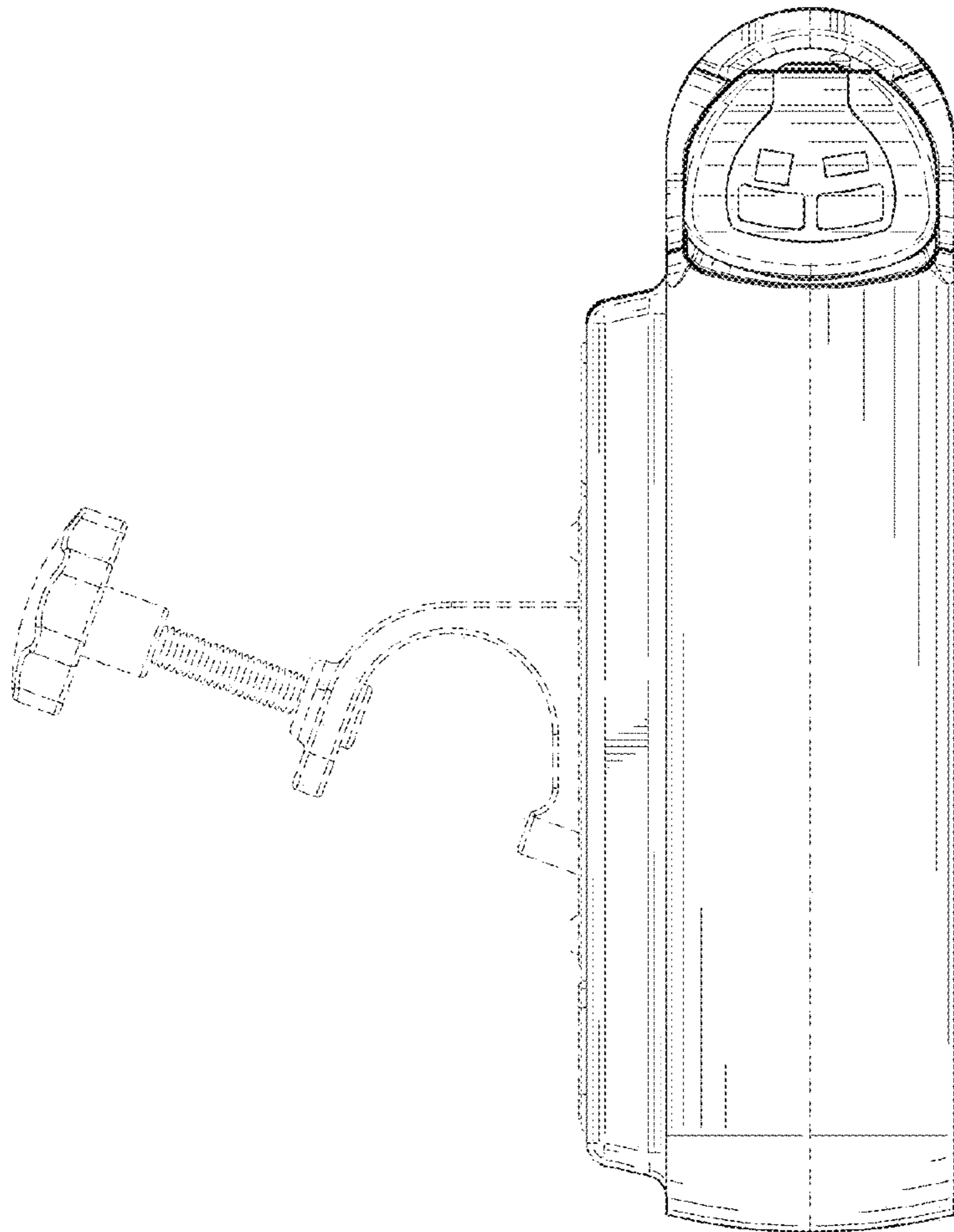


FIG. 14

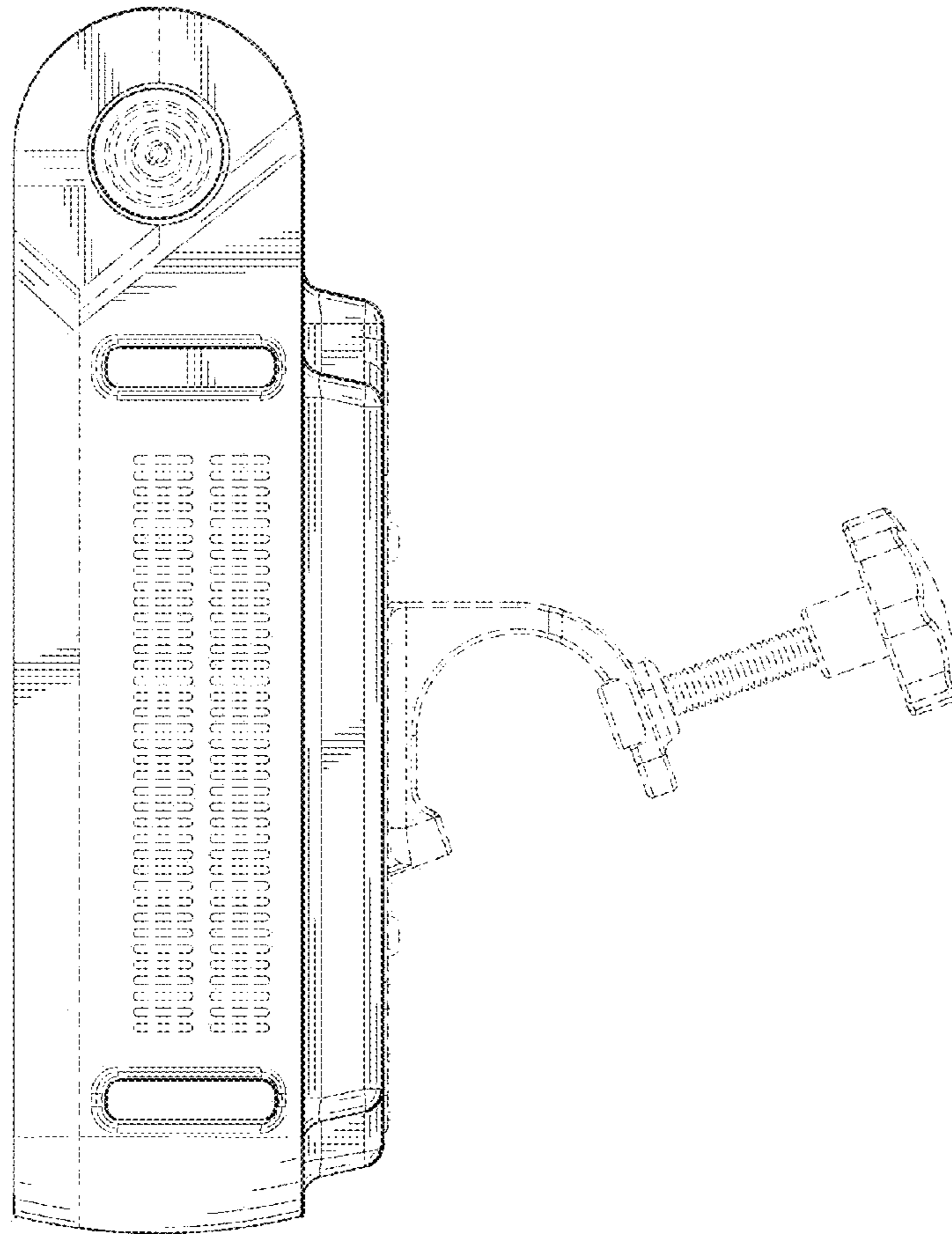


FIG. 15

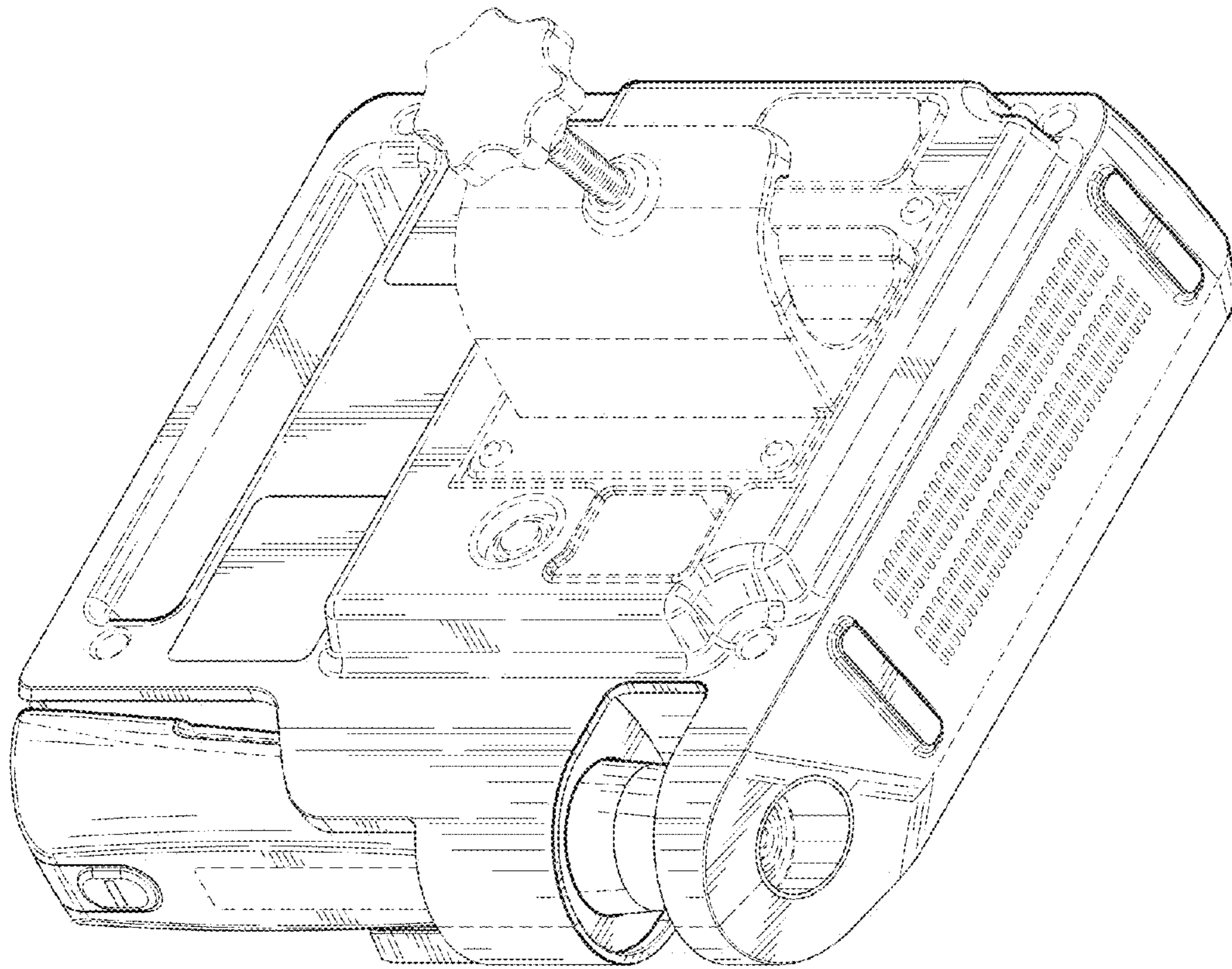


FIG. 16