



US00D714946S

(12) **United States Design Patent**
Lura et al.

(10) **Patent No.:** **US D714,946 S**
(45) **Date of Patent:** **** Oct. 7, 2014**

(54) **HANDLE FOR PORTABLE DIALYSIS CABINET**

D629,906 S 12/2010 Hickey et al.
D631,548 S 1/2011 McGill et al.
D637,293 S 5/2011 Hickey et al.

(Continued)

(71) Applicant: **Medtronic, Inc.**, Minneapolis, MN (US)

Primary Examiner — Ian Simmons

(72) Inventors: **David Lura**, Maple Grove, MN (US);
Martin Gerber, Maple Grove, MN (US);
Bryant J. Pudil, Plymouth, MN (US);
Thomas E. Meyer, Stillwater, MN (US);
Brian Mullins, Minneapolis, MN (US)

Assistant Examiner — Rhea Shields

(74) *Attorney, Agent, or Firm* — Hahn & Voight PLLC;
Roger C. Hahn

(57) **CLAIM**

We claim the ornamental design for a handle for a portable dialysis cabinet, as shown and described.

DESCRIPTION

(73) Assignee: **Medtronic, Inc.**, Minneapolis, MN (US)

(**) Term: **14 Years**

FIG. 1 is a perspective view of a handle for a portable dialysis cabinet according to one embodiment;

(21) Appl. No.: **29/446,280**

FIG. 2 is a perspective view of a handle for a portable dialysis cabinet shown in a collapsed position;

(22) Filed: **Feb. 21, 2013**

FIG. 3 is a rear view of the handle of the portable dialysis cabinet referenced in FIG. 2;

(51) **LOC (10) Cl.** **24-00**

FIG. 4 is a left side view of the handle of the portable dialysis cabinet referenced in FIG. 2;

(52) **U.S. Cl.**

USPC **D24/185**

FIG. 5 is a right side view of the handle of the portable dialysis cabinet referenced in FIG. 2;

(58) **Field of Classification Search**

USPC D24/185, 186, 144, 160, 167-169, 172,
D24/200, 158, 164; D34/12, 14; 312/22,
312/109, 209, 223.1, 286, 249.8, 249.12;
248/282.1; 600/437, 443, 459;
D3/203.7, 203.8, 246, 279, 281

FIG. 6 is a top view of the handle of the portable dialysis cabinet referenced in FIG. 2;

See application file for complete search history.

FIG. 7 is a perspective view of a handle of a portable dialysis cabinet shown in an extended position, as referenced in FIG. 1;

(56) **References Cited**

U.S. PATENT DOCUMENTS

D86,687 S * 4/1932 Prouty D24/185
D273,717 S * 5/1984 McCombs D24/164
5,113,546 A * 5/1992 Parent 15/315
5,465,841 A * 11/1995 Wilson et al. 206/366
D462,170 S * 9/2002 Chen et al. D3/279
D583,150 S * 12/2008 Chung et al. D3/279
D598,109 S 8/2009 Collins et al.
D609,350 S 2/2010 Hickey et al.
D613,411 S 4/2010 Collins et al.

FIG. 8 is a front view of the handle of the portable dialysis cabinet referenced in FIG. 7;

FIG. 9 is a rear view of the handle of the portable dialysis cabinet referenced in FIG. 7;

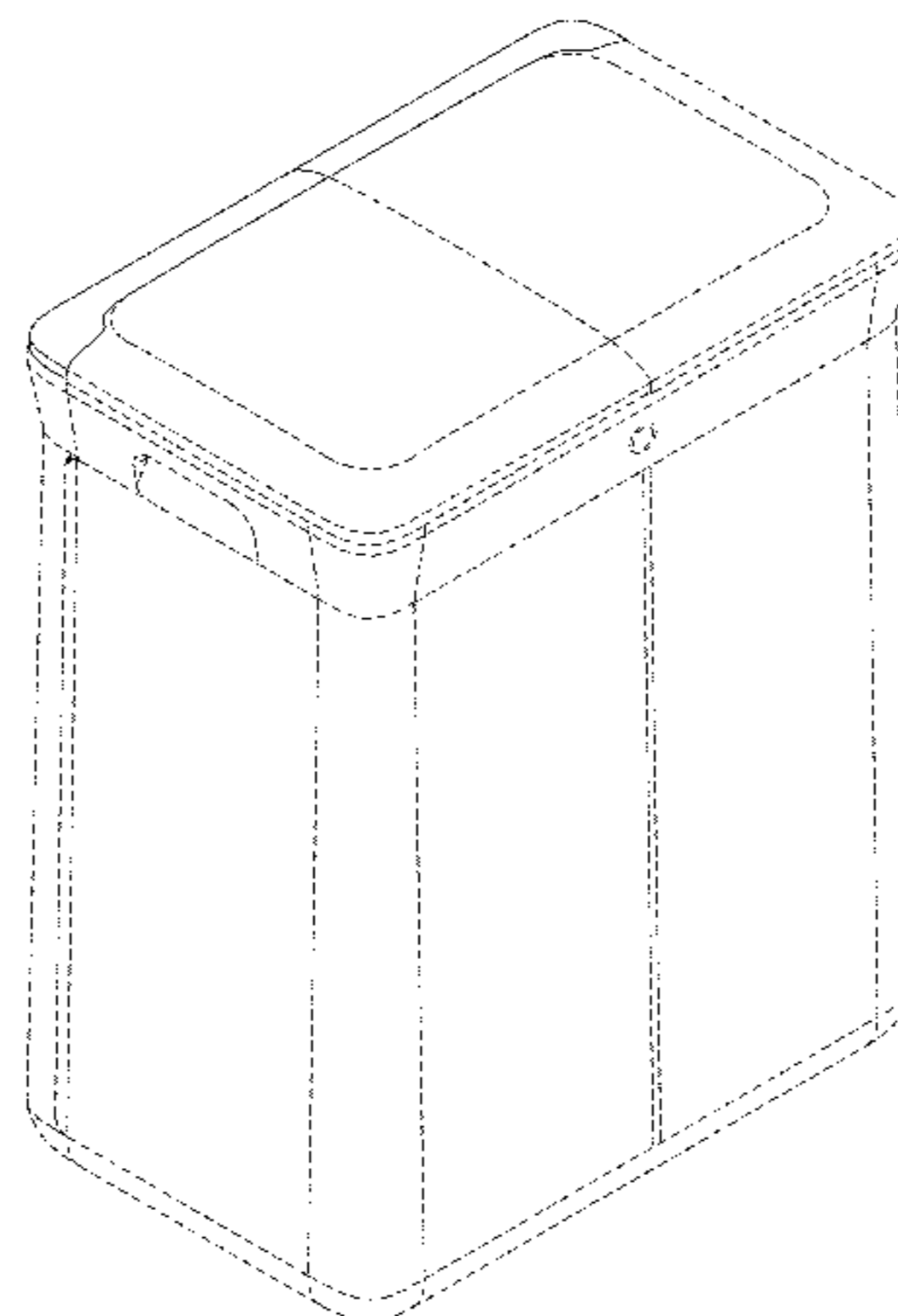
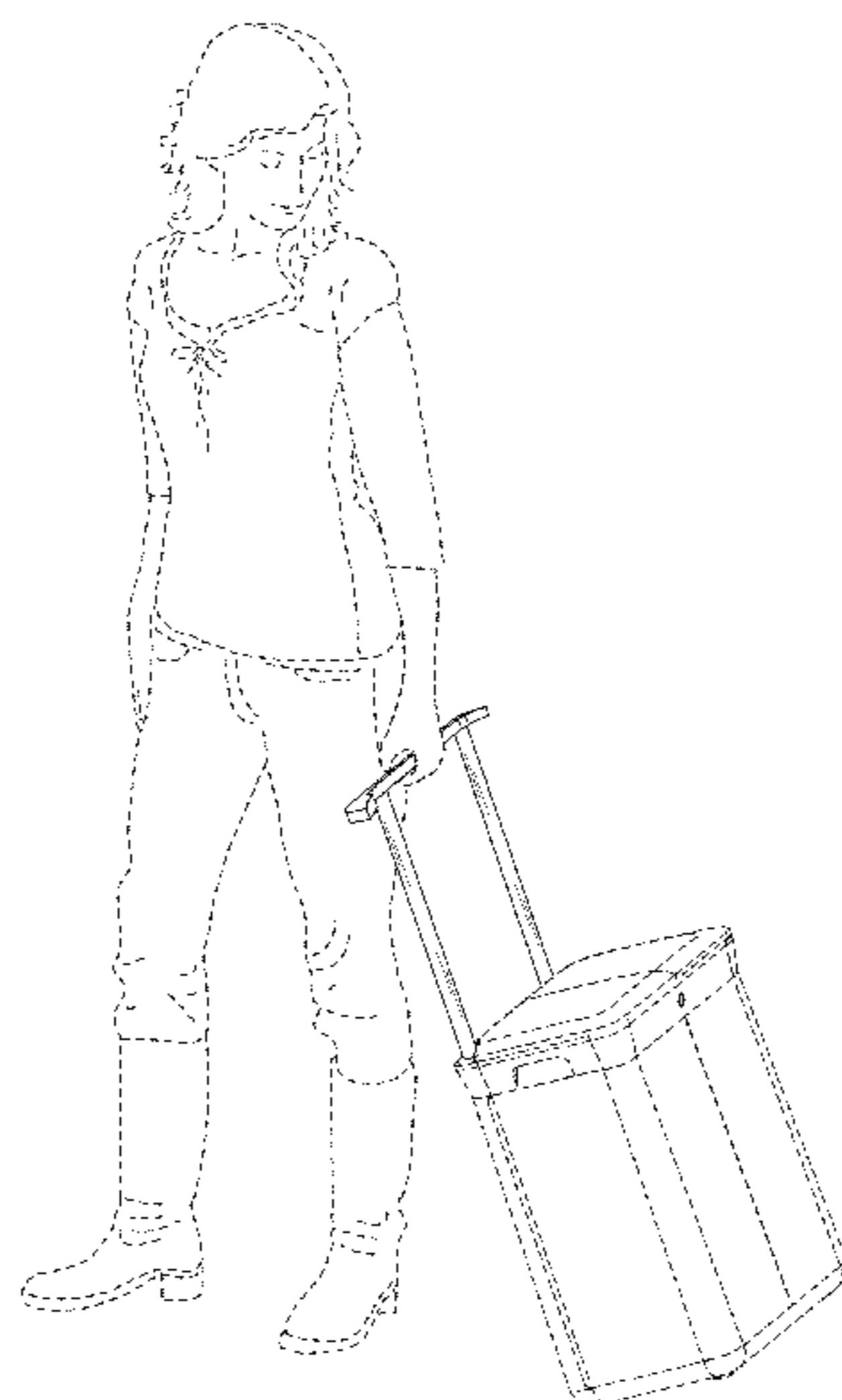
FIG. 10 is a left side view of the handle of the portable dialysis cabinet referenced in FIG. 7;

FIG. 11 is a right side view of the handle of the portable dialysis cabinet referenced in FIG. 7; and,

FIG. 12 is a top view of the handle of the portable dialysis cabinet referenced in FIG. 7.

In the drawings, the broken lines depict unclaimed subject matter only and form no part of the claimed design.

1 Claim, 12 Drawing Sheets



(56)

References Cited

U.S. PATENT DOCUMENTS

D639,930 S 6/2011 Collins et al.
D644,436 S * 9/2011 Buller D3/279
D646,392 S 10/2011 Collins et al.
D650,063 S 12/2011 Collins et al.

D663,844 S 7/2012 McGill et al.
D664,255 S 7/2012 Hickey et al.
D664,660 S 7/2012 Hickey et al.
D675,727 S 2/2013 Collins et al.
D677,050 S * 3/2013 Saba et al. D3/276
D677,890 S * 3/2013 Petcash D3/279
D678,676 S * 3/2013 Bettua et al. D3/276
* cited by examiner

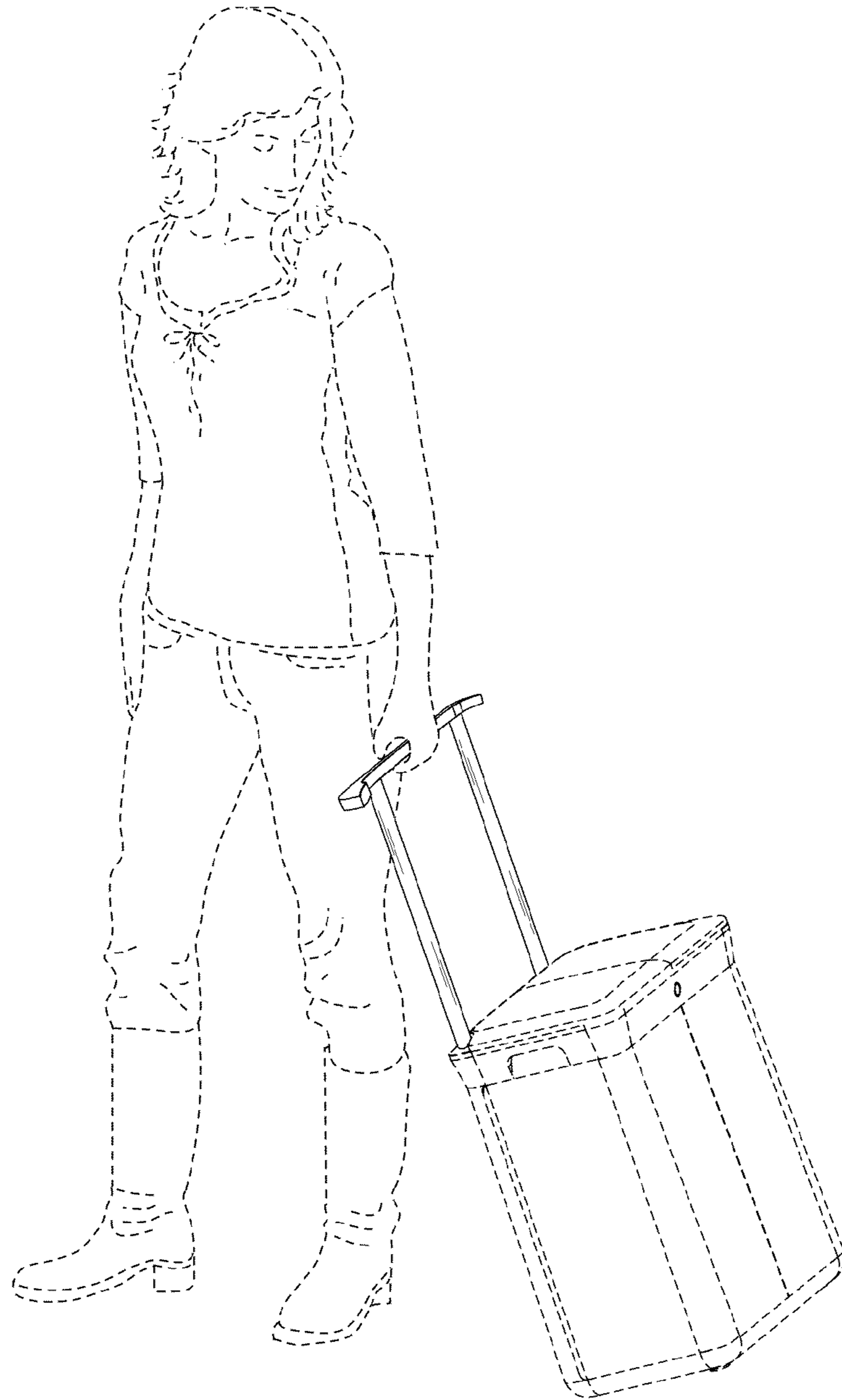


FIG. 1

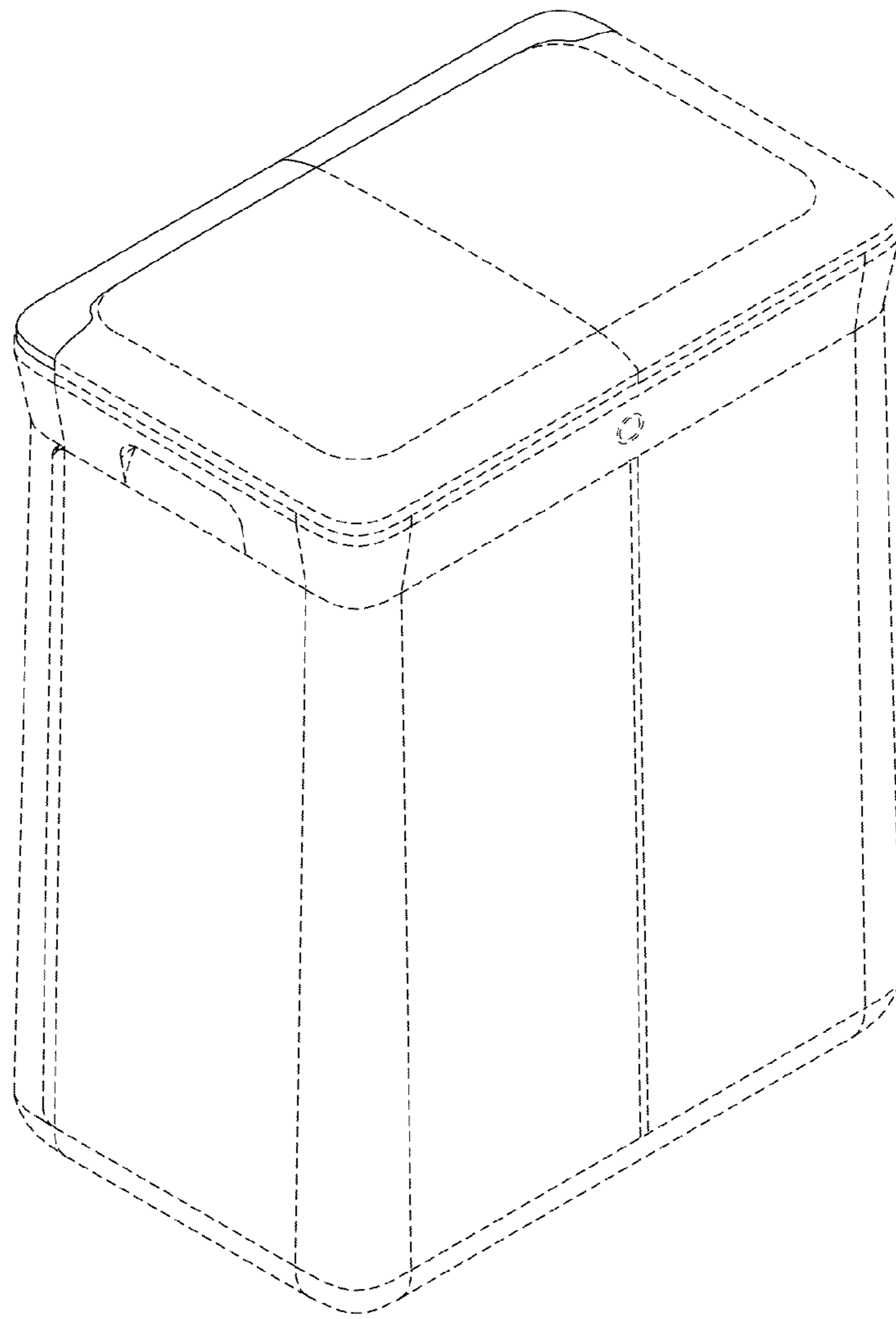


FIG. 2

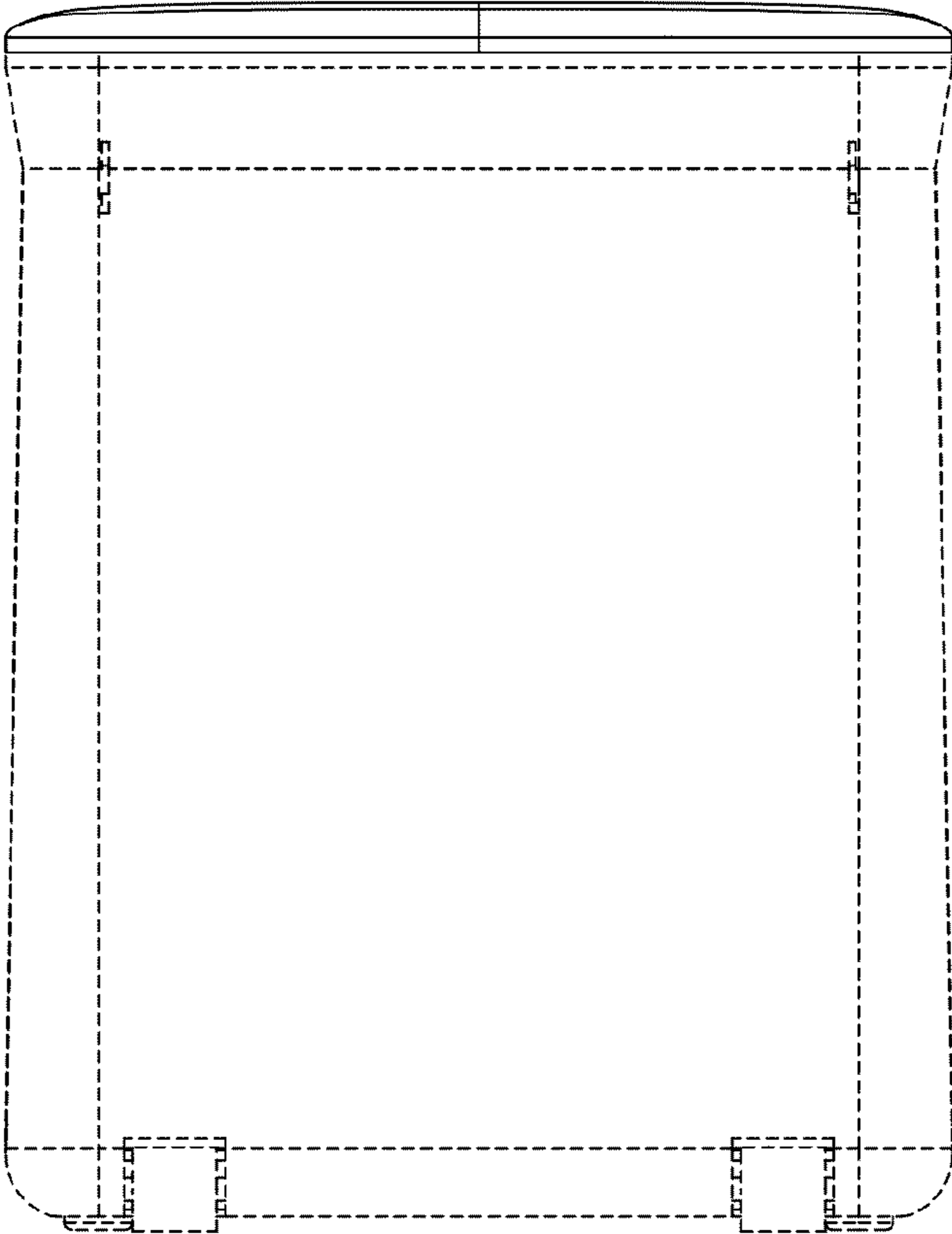


FIG. 3

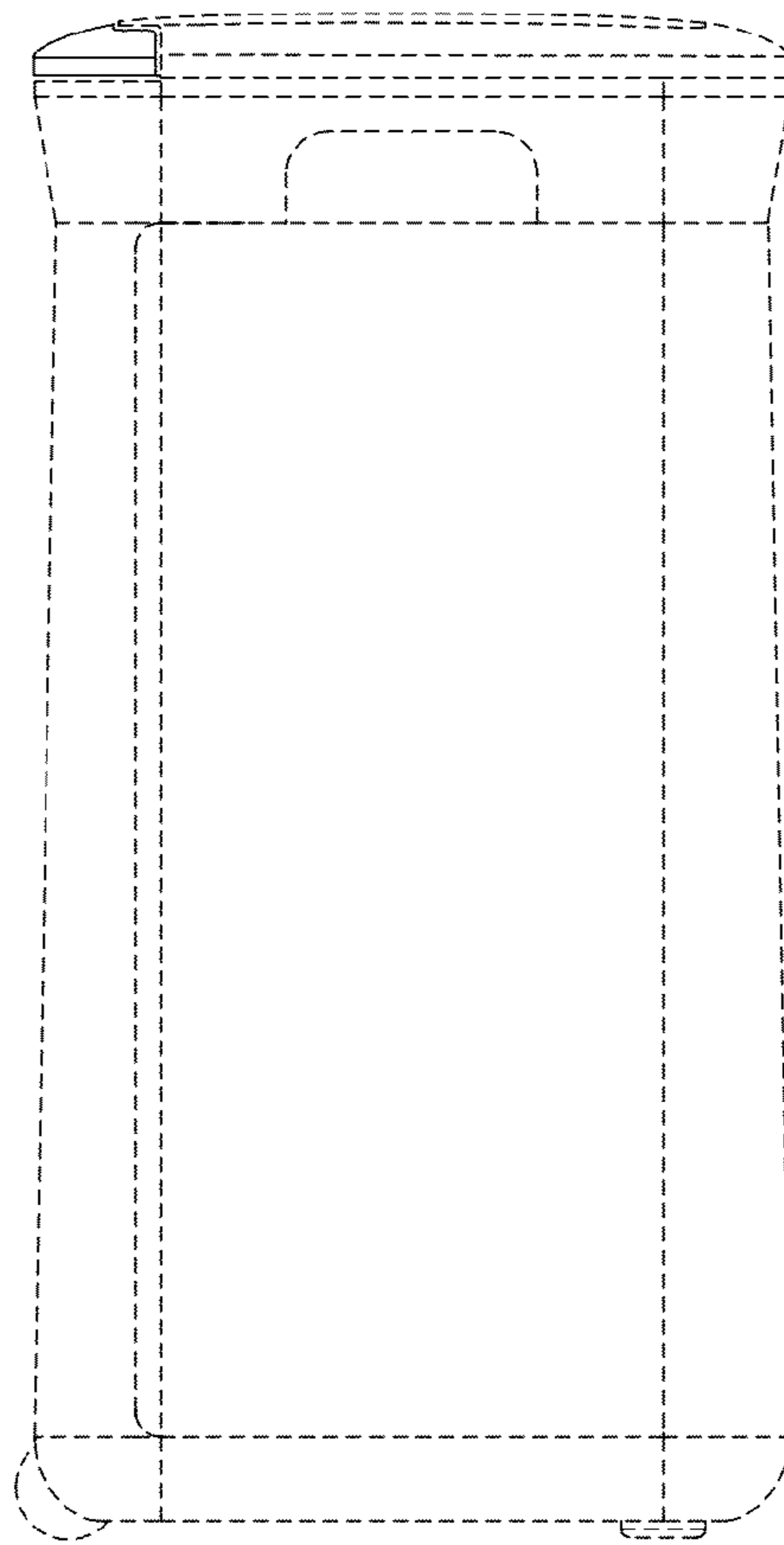


FIG. 4

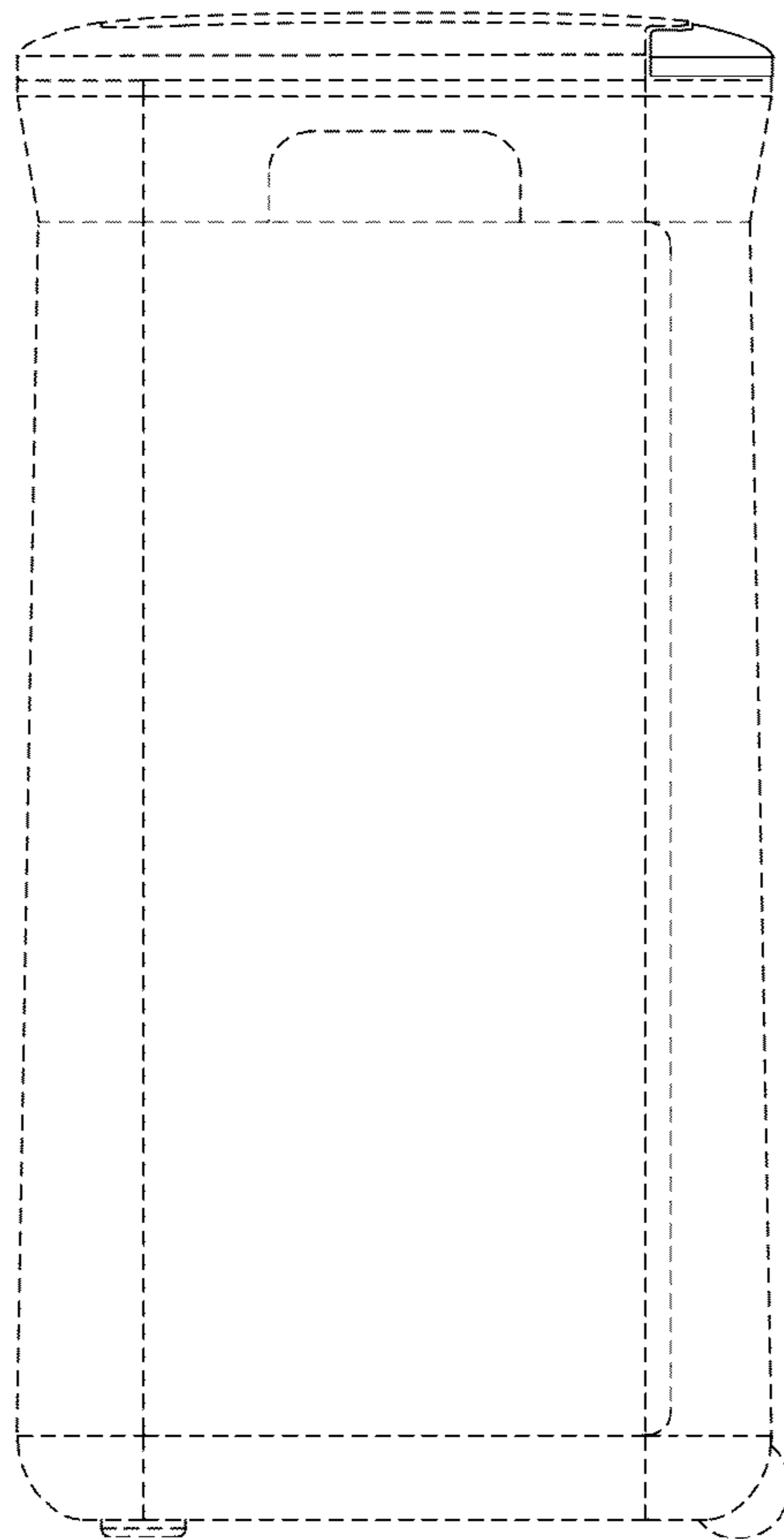


FIG. 5

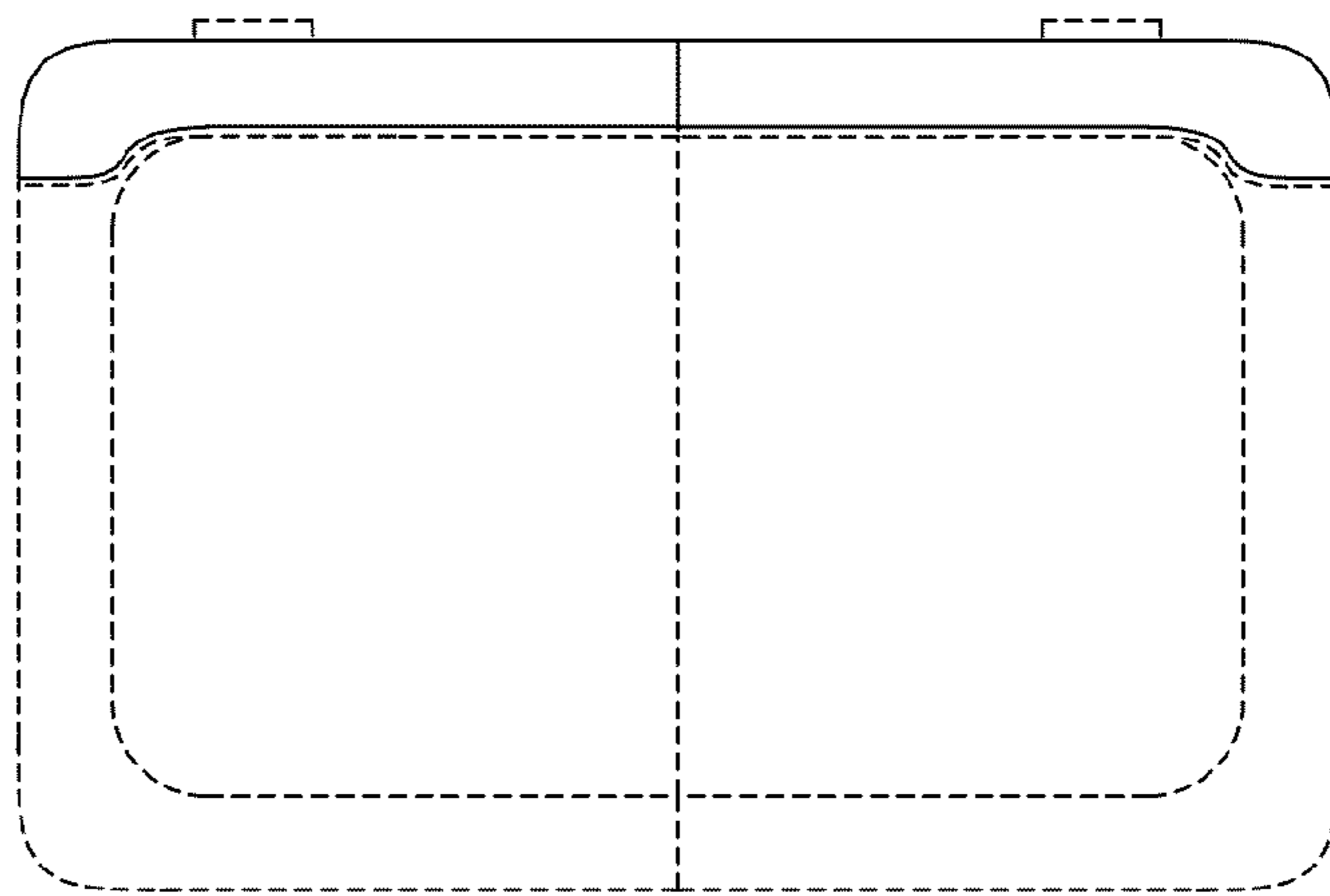


FIG. 6

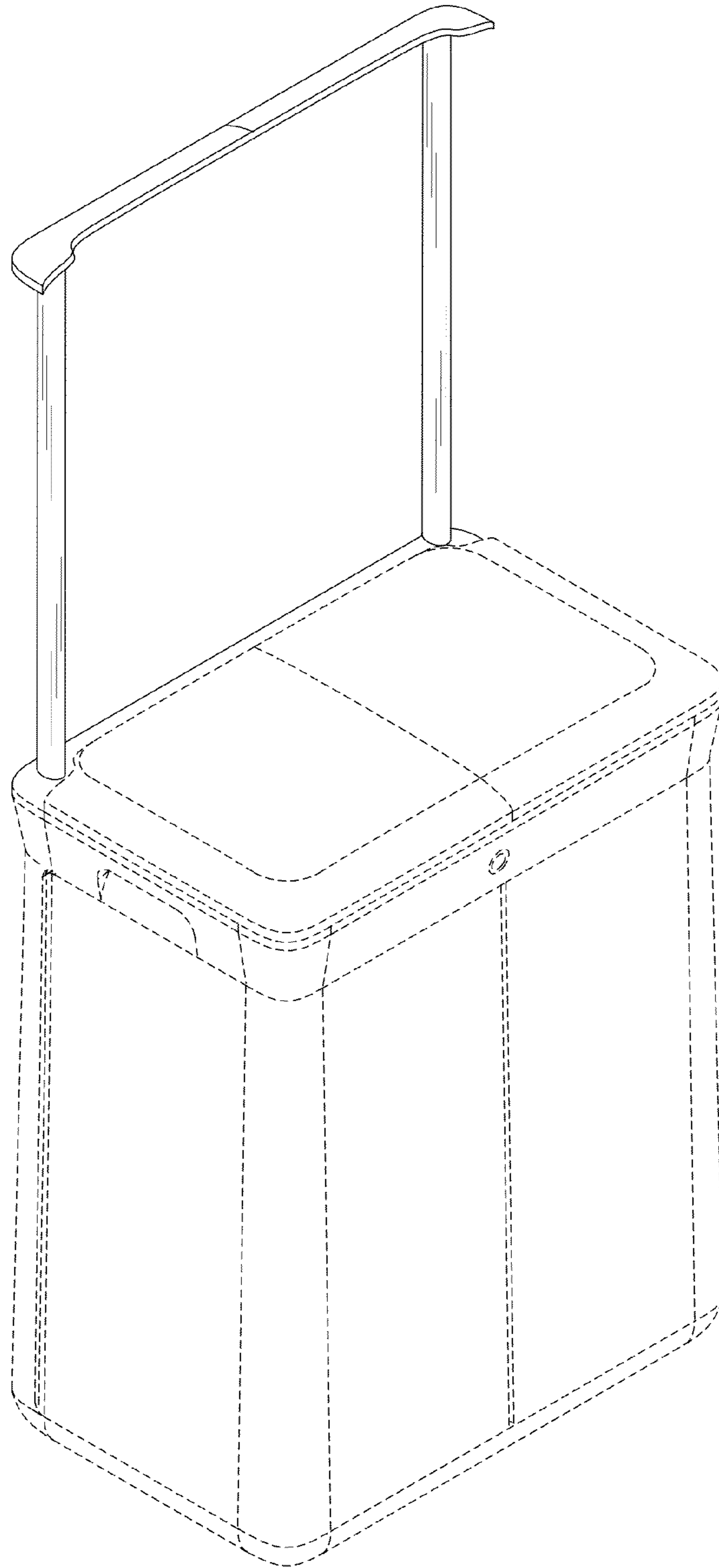


FIG. 7

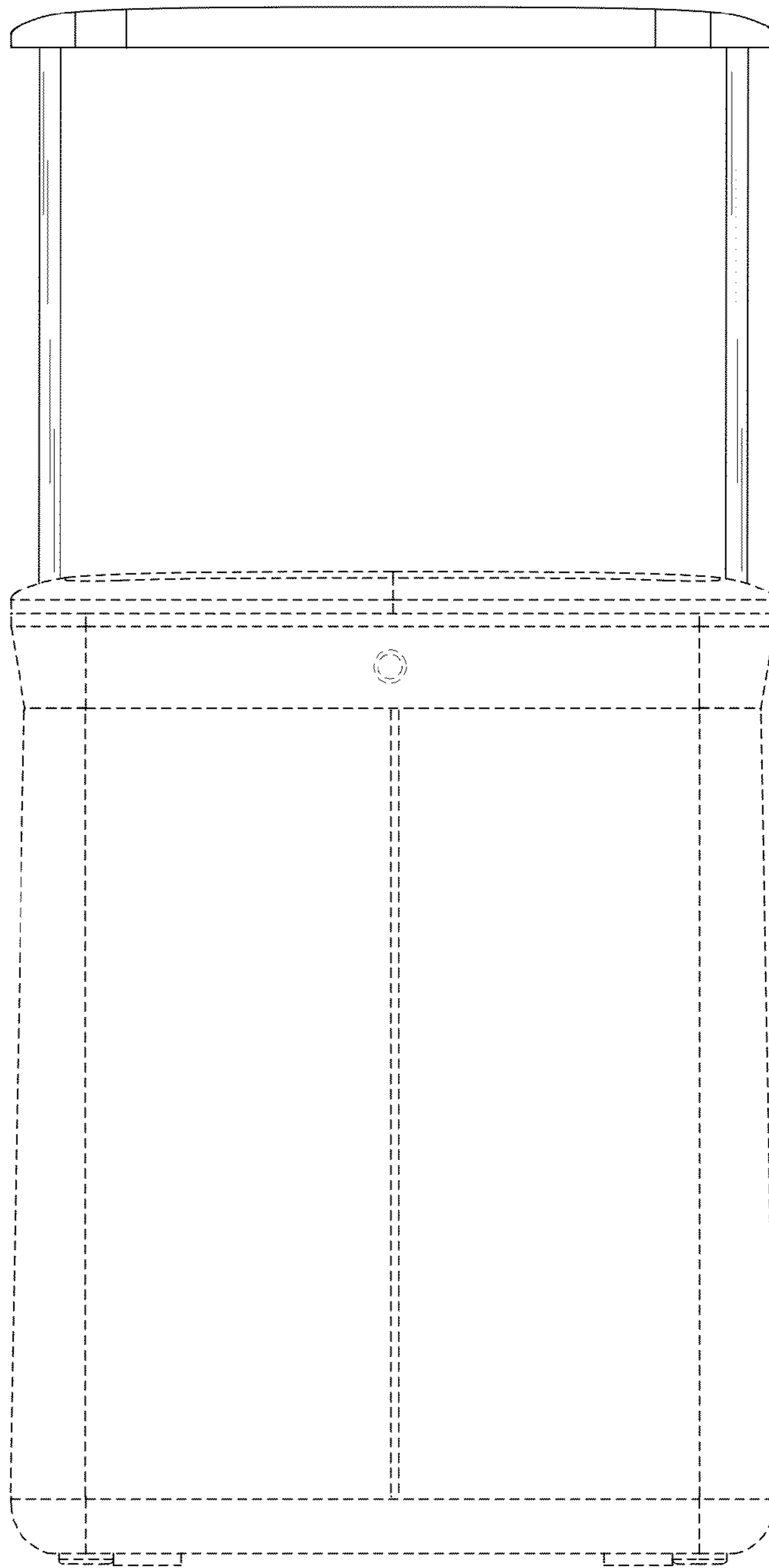


FIG. 8

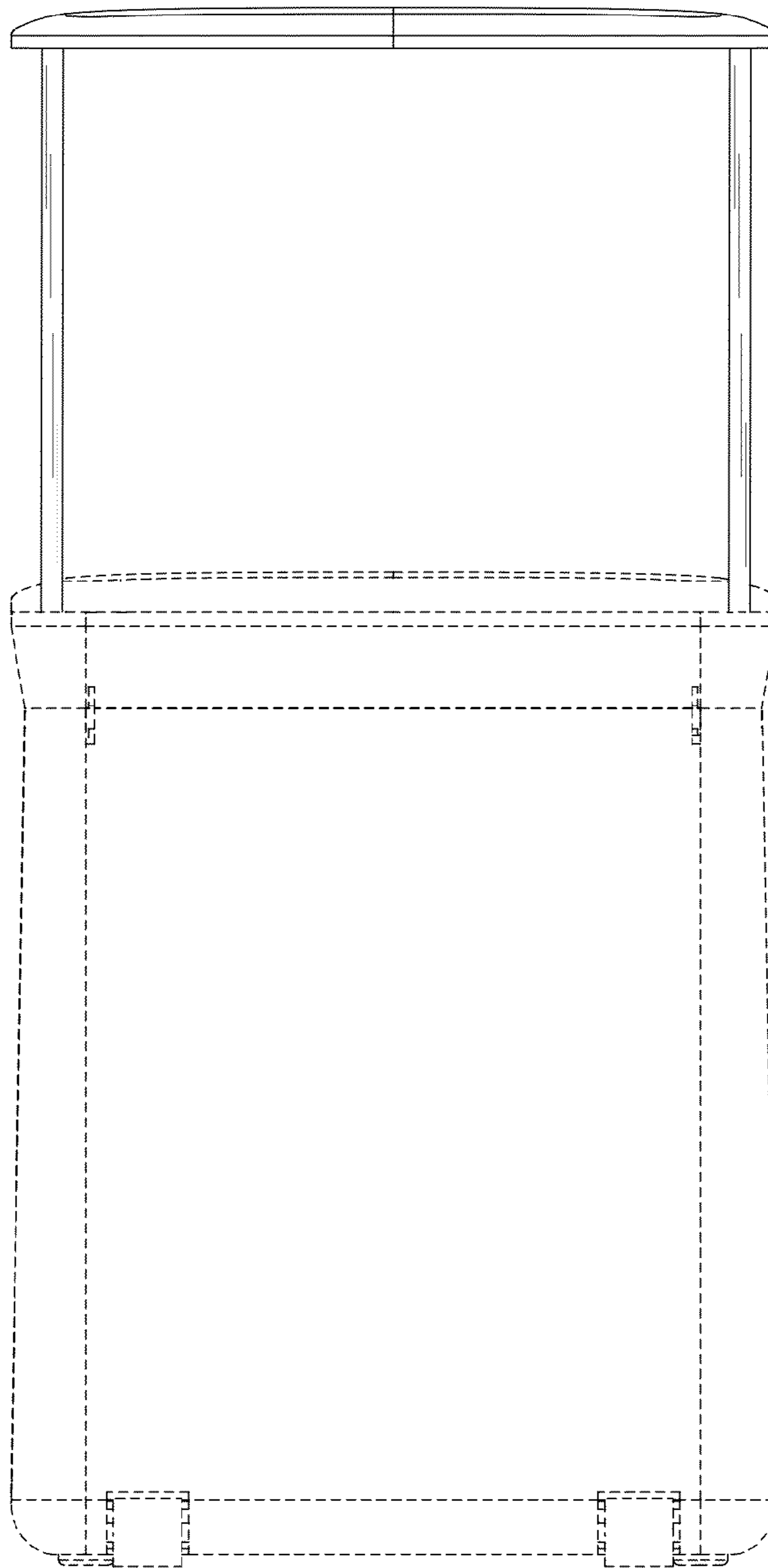


FIG. 9

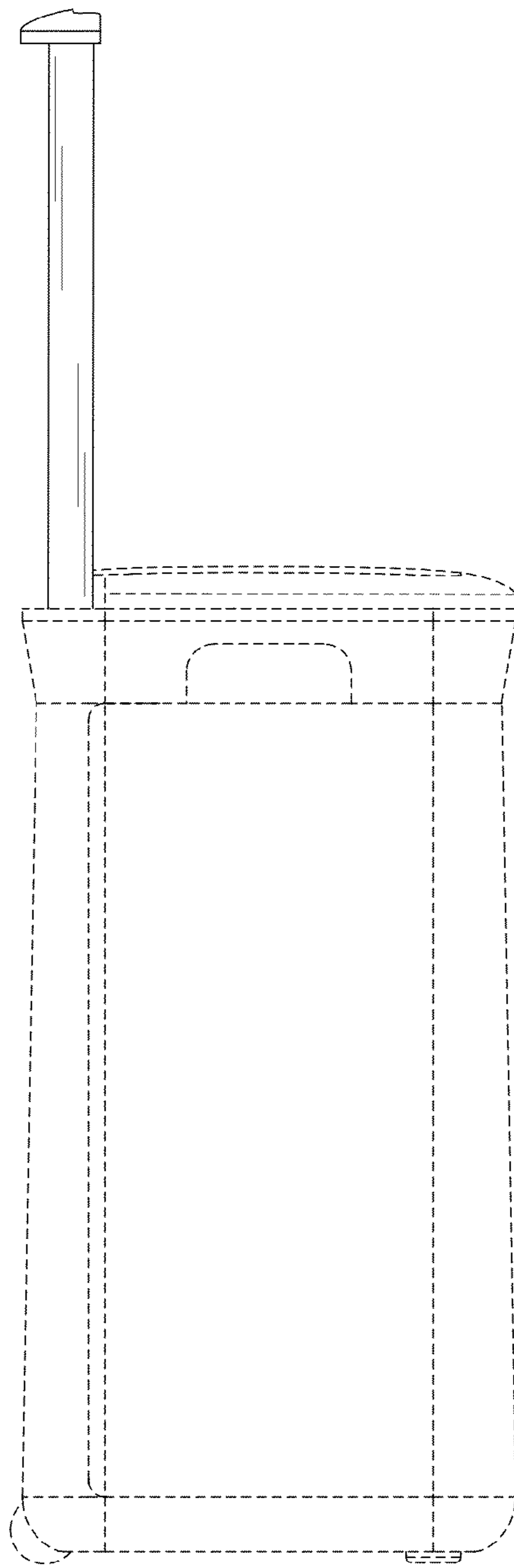


FIG. 10

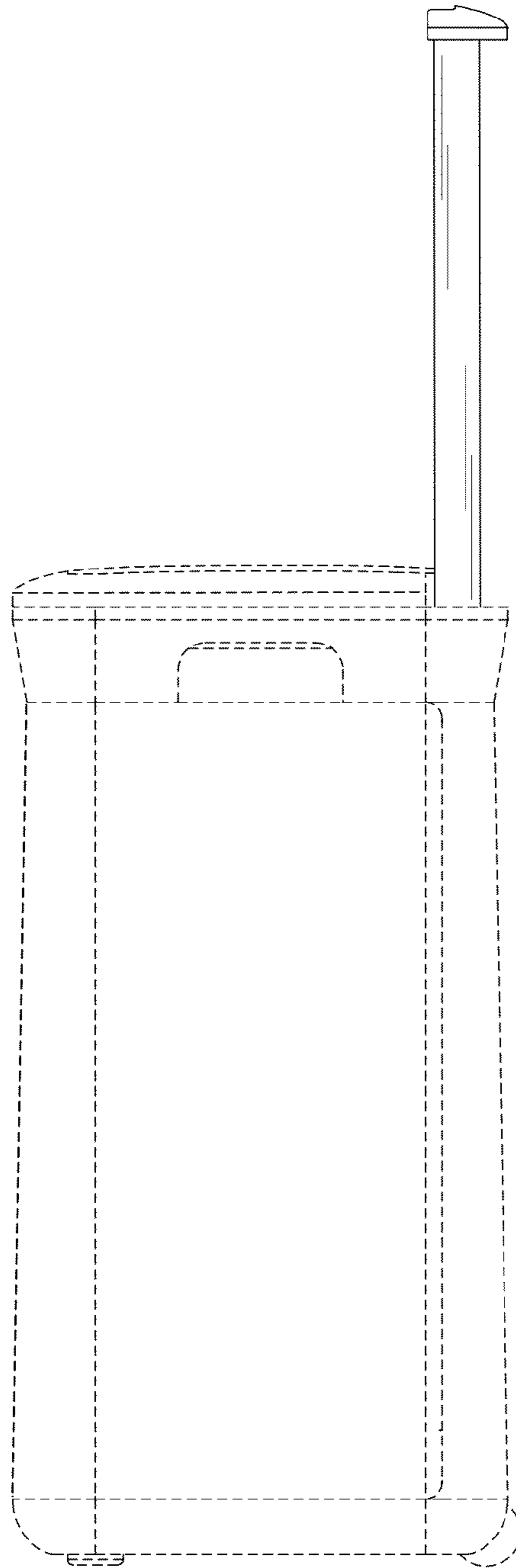


FIG. 11

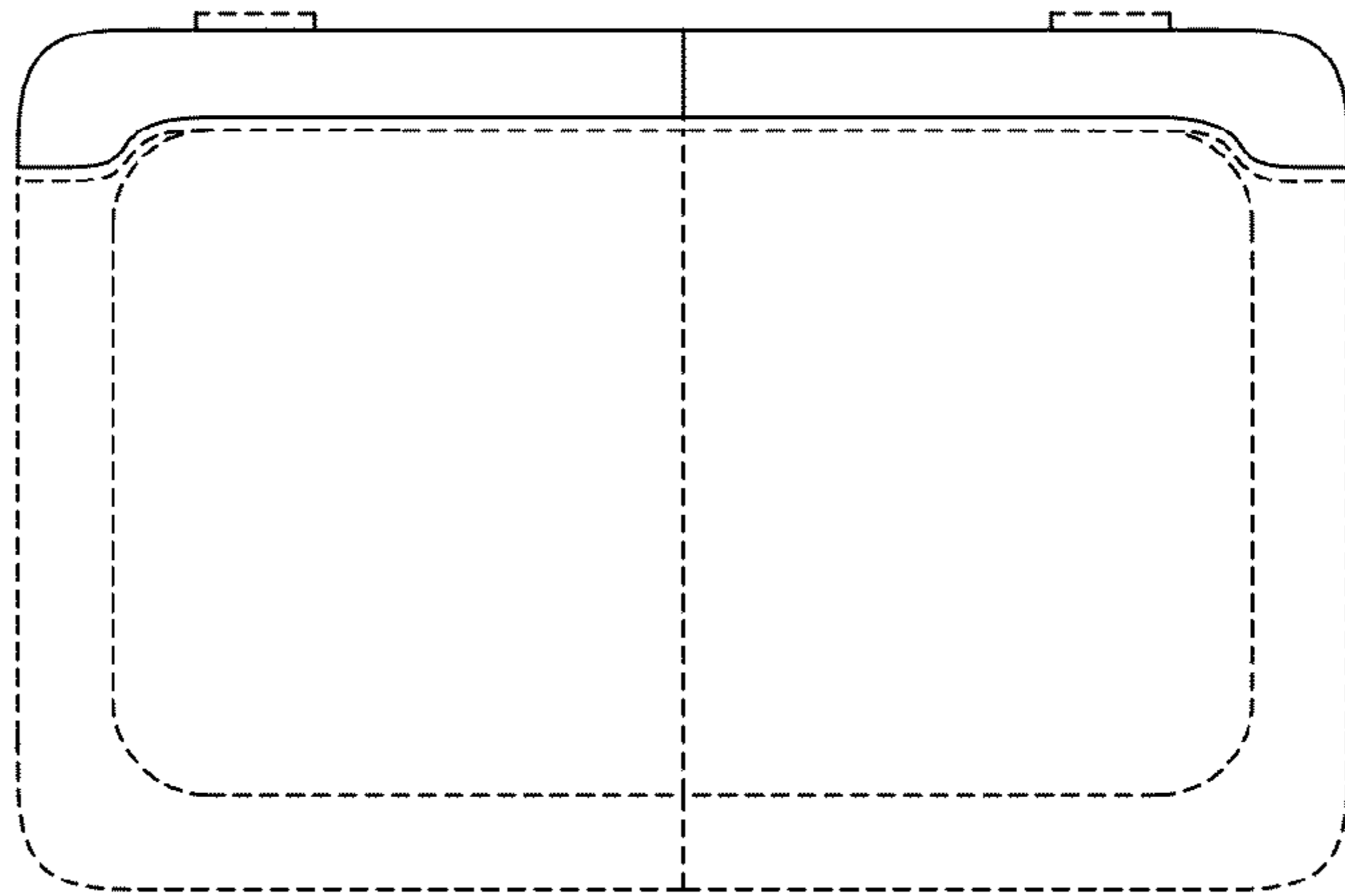


FIG. 12