



US00D714945S

(12) **United States Design Patent**
Gerber et al.

(10) **Patent No.:** **US D714,945 S**

(45) **Date of Patent:** **** Oct. 7, 2014**

(54) **PAIR OF DOORS FOR A PORTABLE DIALYSIS CABINET**

(71) Applicant: **Medtronic, Inc.**, Minneapolis, MN (US)

(72) Inventors: **Martin T. Gerber**, Maple Grove, MN (US); **David B. Lura**, Maple Grove, MN (US); **Bryant J. Pudil**, Plymouth, MN (US); **Thomas E. Meyer**, Stillwater, MN (US); **Brian Mullins**, Minneapolis, MN (US)

(73) Assignee: **Medtronic, Inc.**, Minneapolis, MN (US)

(**) Term: **14 Years**

(21) Appl. No.: **29/446,278**

(22) Filed: **Feb. 21, 2013**

(51) **LOC (10) Cl.** **24-00**

(52) **U.S. Cl.**
USPC **D24/185**

(58) **Field of Classification Search**
USPC D24/185, 186, 144, 160, 167-169, 172, D24/200, 158, 164; D34/12, 14; 312/22, 312/109, 209, 223.1, 286, 249.8, 249.12; 248/282.1; 600/437, 443, 459
See application file for complete search history.

(56) **References Cited**

U.S. PATENT DOCUMENTS

D86,687 S *	4/1932	Prouty	D24/185
D101,605 S *	10/1936	Anderson	D24/200
D263,573 S *	3/1982	Ingledew	D34/14
D273,717 S *	5/1984	McCombs	D24/164
D319,308 S *	8/1991	Royse et al.	D24/185
5,113,546 A *	5/1992	Parent	15/315
D332,855 S *	1/1993	Royse et al.	D34/19
5,465,841 A *	11/1995	Wilson et al.	206/366
D415,328 S *	10/1999	Uehara et al.	D34/19
D598,109 S	8/2009	Collins et al.		
D609,350 S	2/2010	Hickey et al.		

D613,411 S	4/2010	Collins et al.
D629,906 S	12/2010	Hickey et al.
D631,548 S	1/2011	McGill et al.
D637,293 S	5/2011	Hickey et al.
D639,930 S	6/2011	Collins et al.
D646,392 S	10/2011	Collins et al.
D650,063 S	12/2011	Collins et al.
D663,844 S	7/2012	McGill et al.

(Continued)

Primary Examiner — Ian Simmons

Assistant Examiner — Rhea Shields

(74) *Attorney, Agent, or Firm* — Hahn & Voight PLLC; Roger C. Hahn

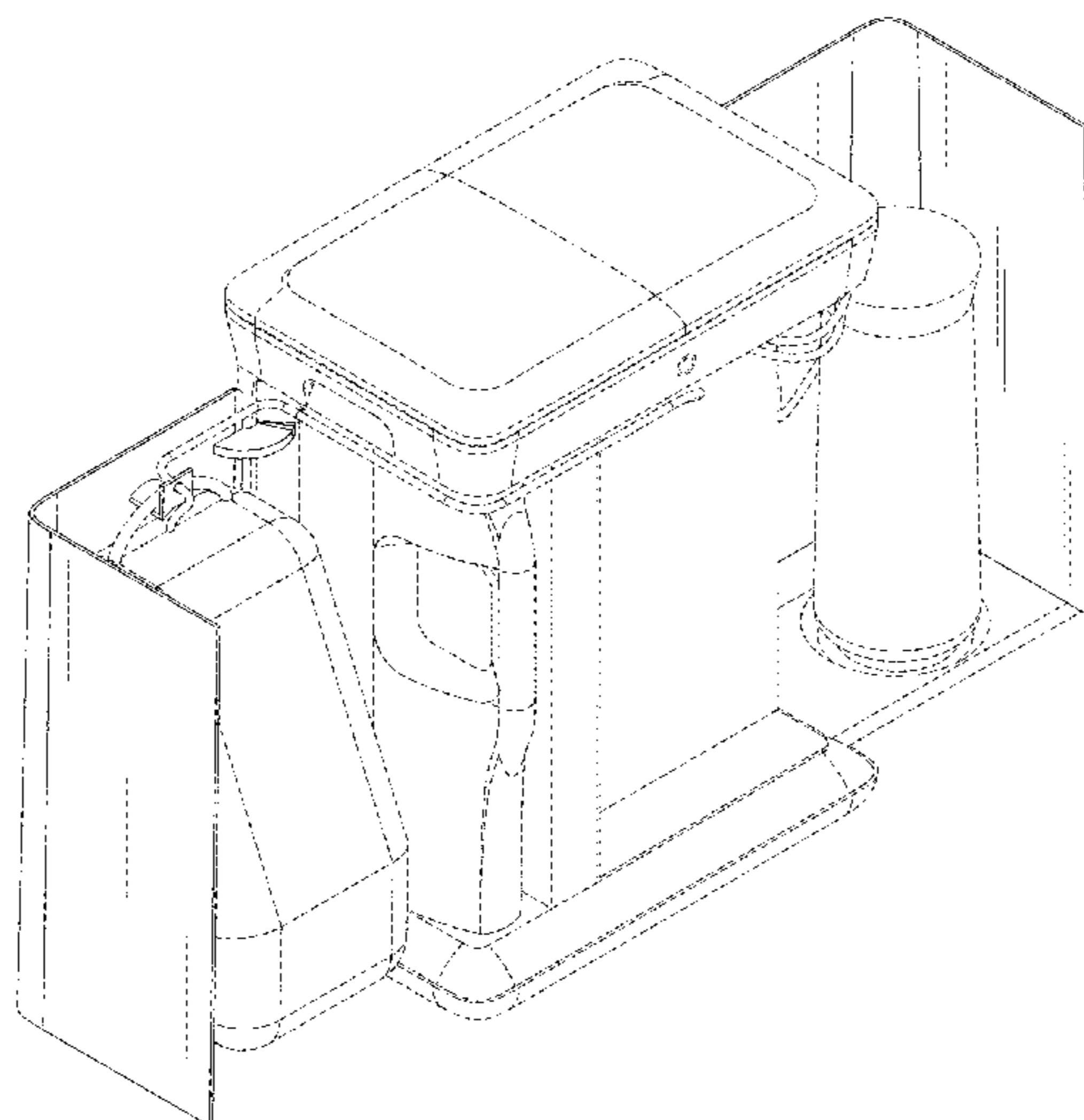
(57) **CLAIM**

The ornamental design for a pair of doors for a portable dialysis cabinet, as shown and described.

DESCRIPTION

FIG. 1 is a perspective view of doors for a portable dialysis cabinet according to one embodiment;
 FIG. 2 is a front view of the doors of the portable dialysis cabinet referenced in FIG. 1;
 FIG. 3 is a rear view of the doors of the portable dialysis cabinet referenced in FIG. 1;
 FIG. 4 is a left side view of the doors of the portable dialysis cabinet referenced in FIG. 1;
 FIG. 5 is a right side view of the doors of the portable dialysis cabinet referenced in FIG. 1;
 FIG. 6 is a top view of the doors of the portable dialysis cabinet referenced in FIG. 1;
 FIG. 7 is a bottom view of the doors of the portable dialysis cabinet referenced in FIG. 1;
 FIG. 8 is a top view of a pair of doors of a portable dialysis cabinet shown with environmental structure removed for clarity of disclosure; and,
 FIG. 9 is a bottom view of the doors of the portable dialysis cabinet referenced in FIG. 8.
 In the drawings, the broken lines depict environmental subject matter only and form no part of the claimed design.

1 Claim, 9 Drawing Sheets



(56)

References Cited

U.S. PATENT DOCUMENTS

D664,255 S 7/2012 Hickey et al.

D664,660 S 7/2012 Hickey et al.
D675,727 S 2/2013 Collins et al.
2007/0138922 A1* 6/2007 Frederick et al. 312/109

* cited by examiner

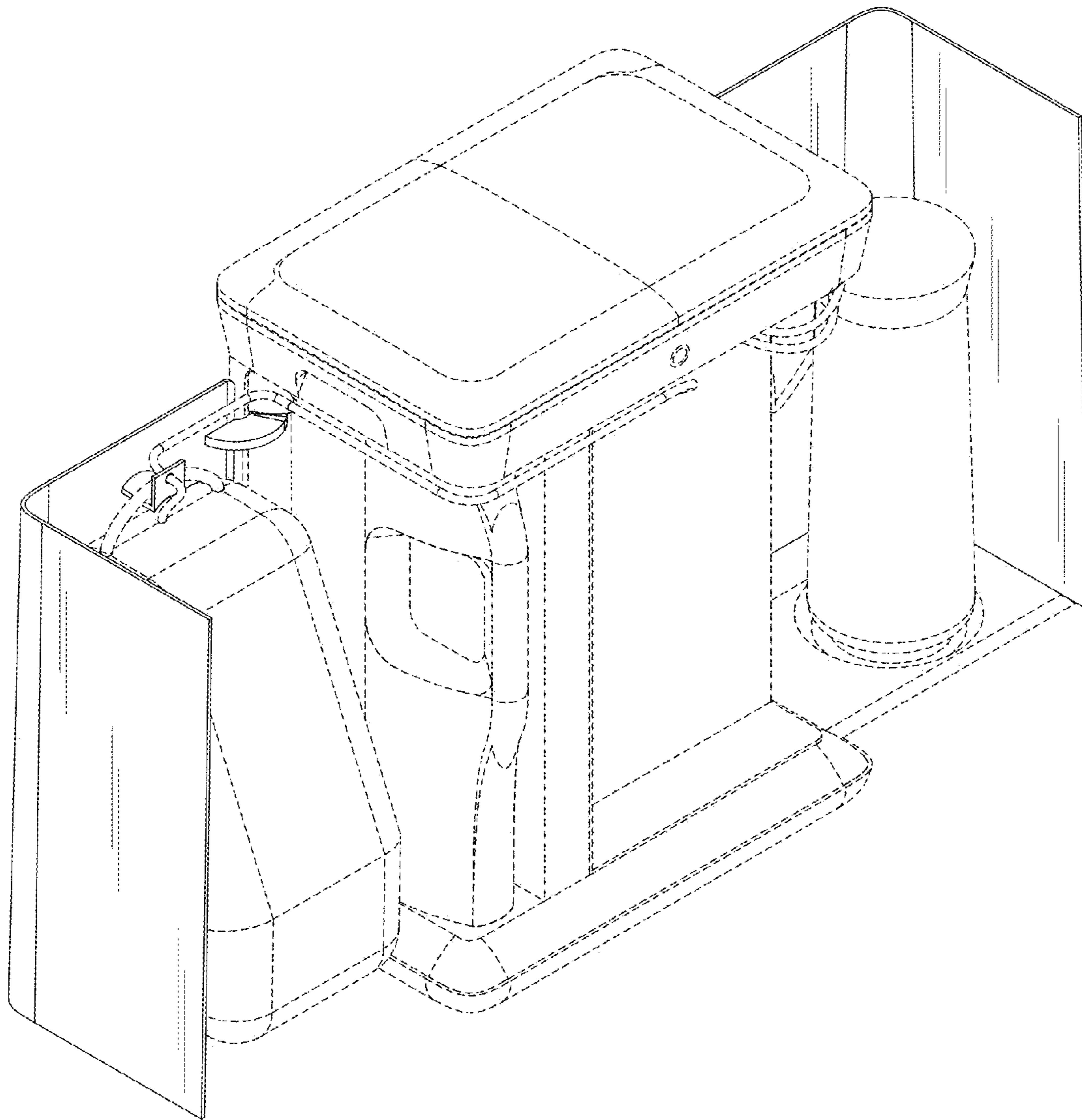


FIG. 1

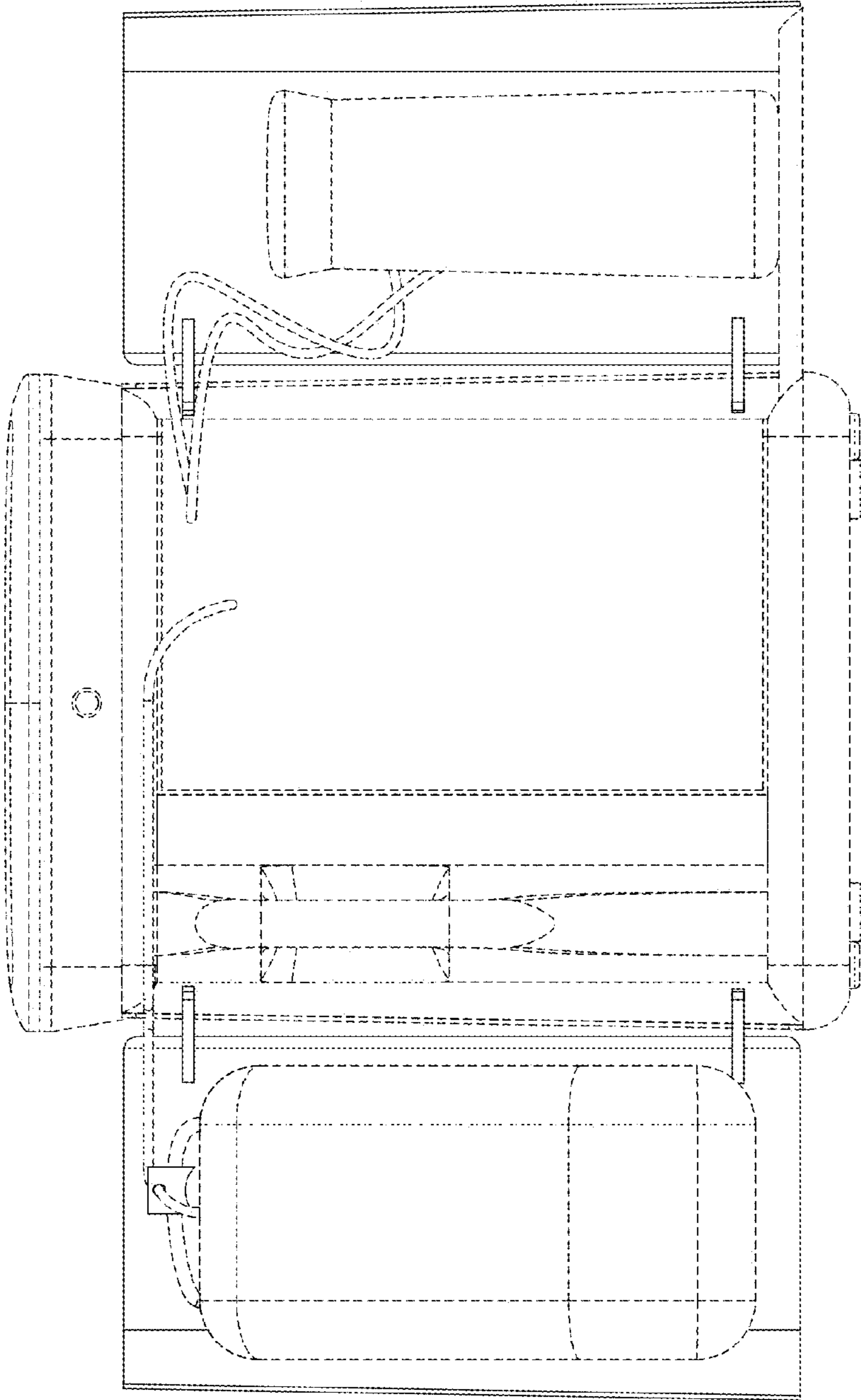


FIG. 2

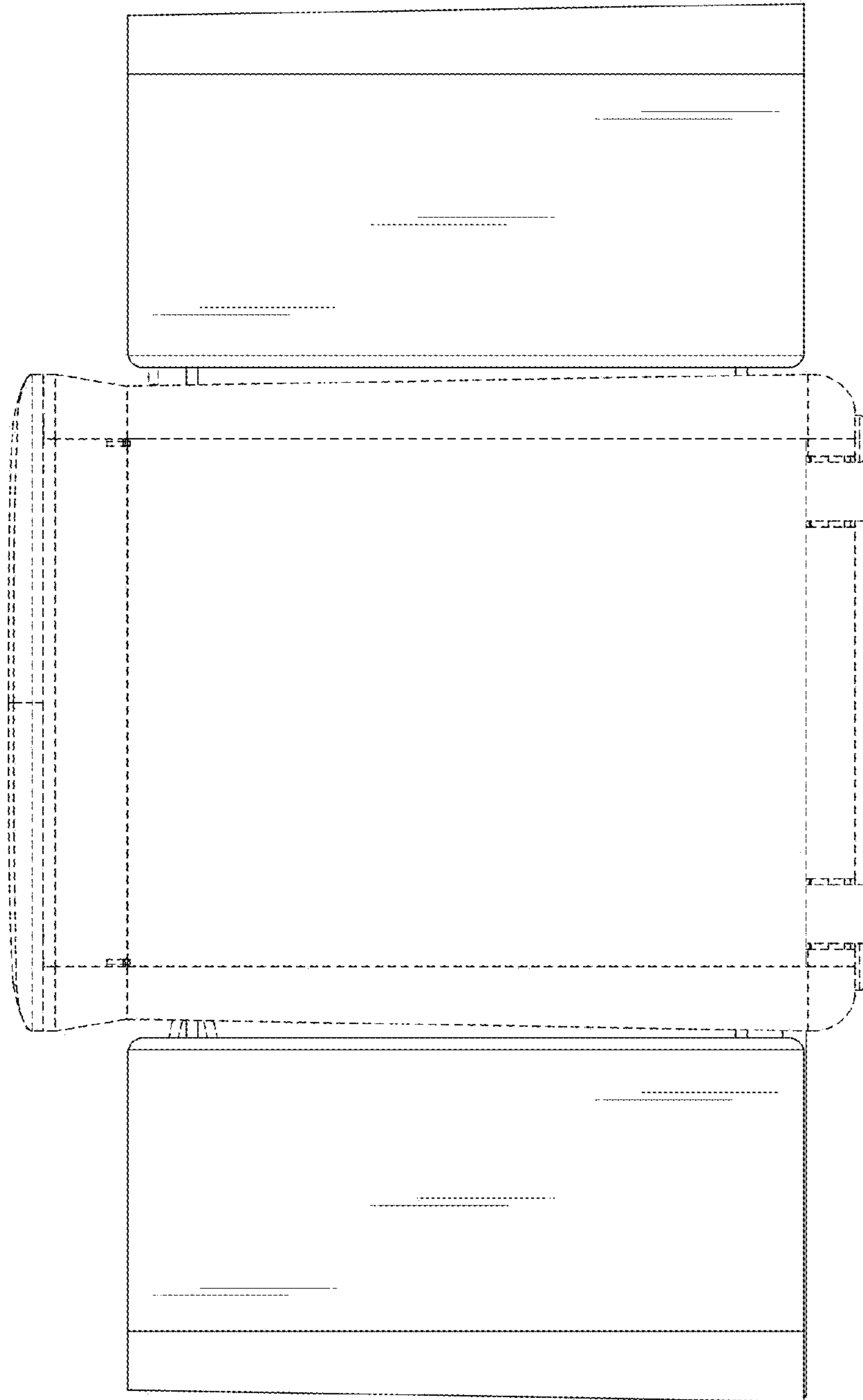


FIG. 3

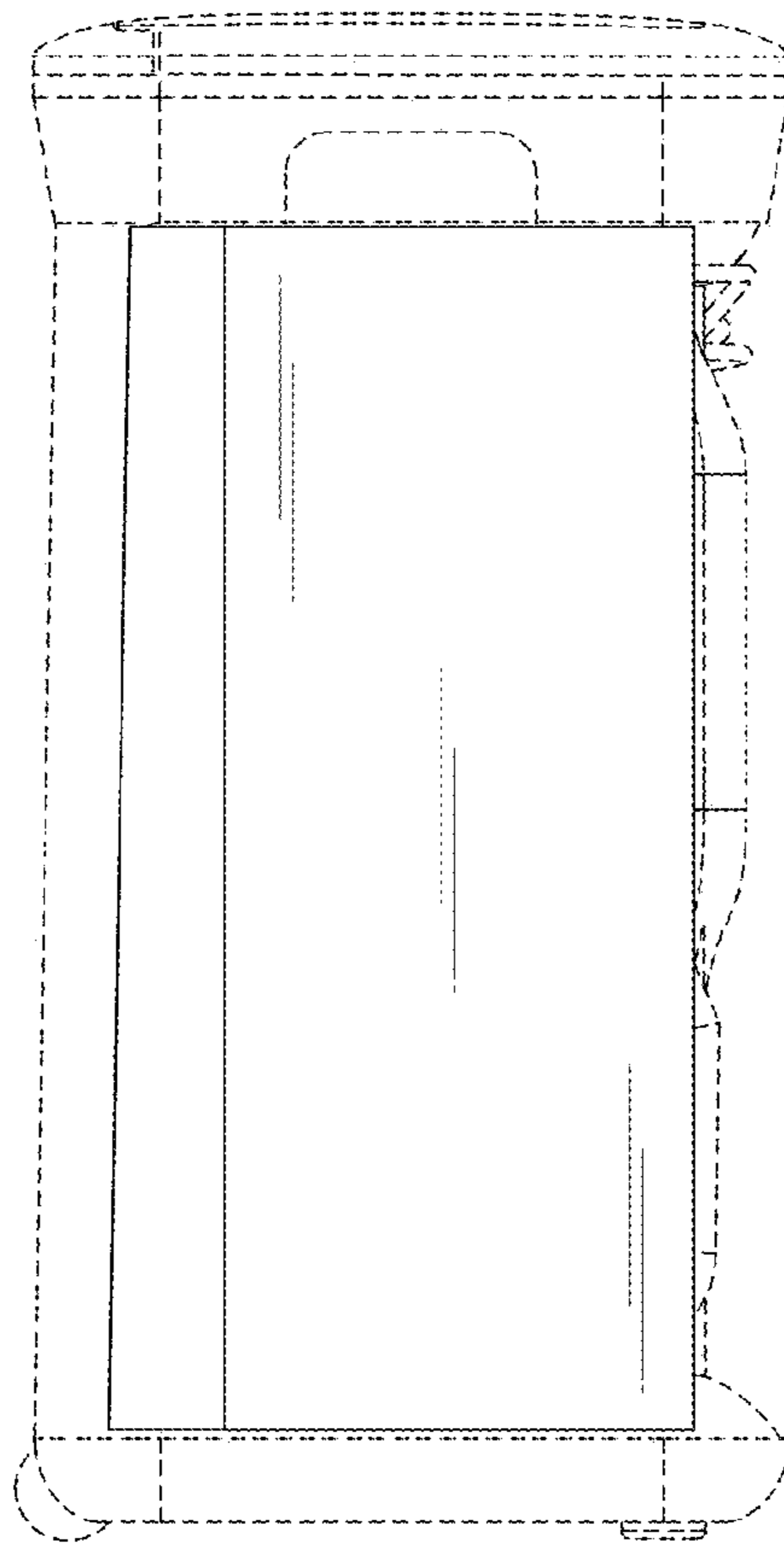


FIG. 4

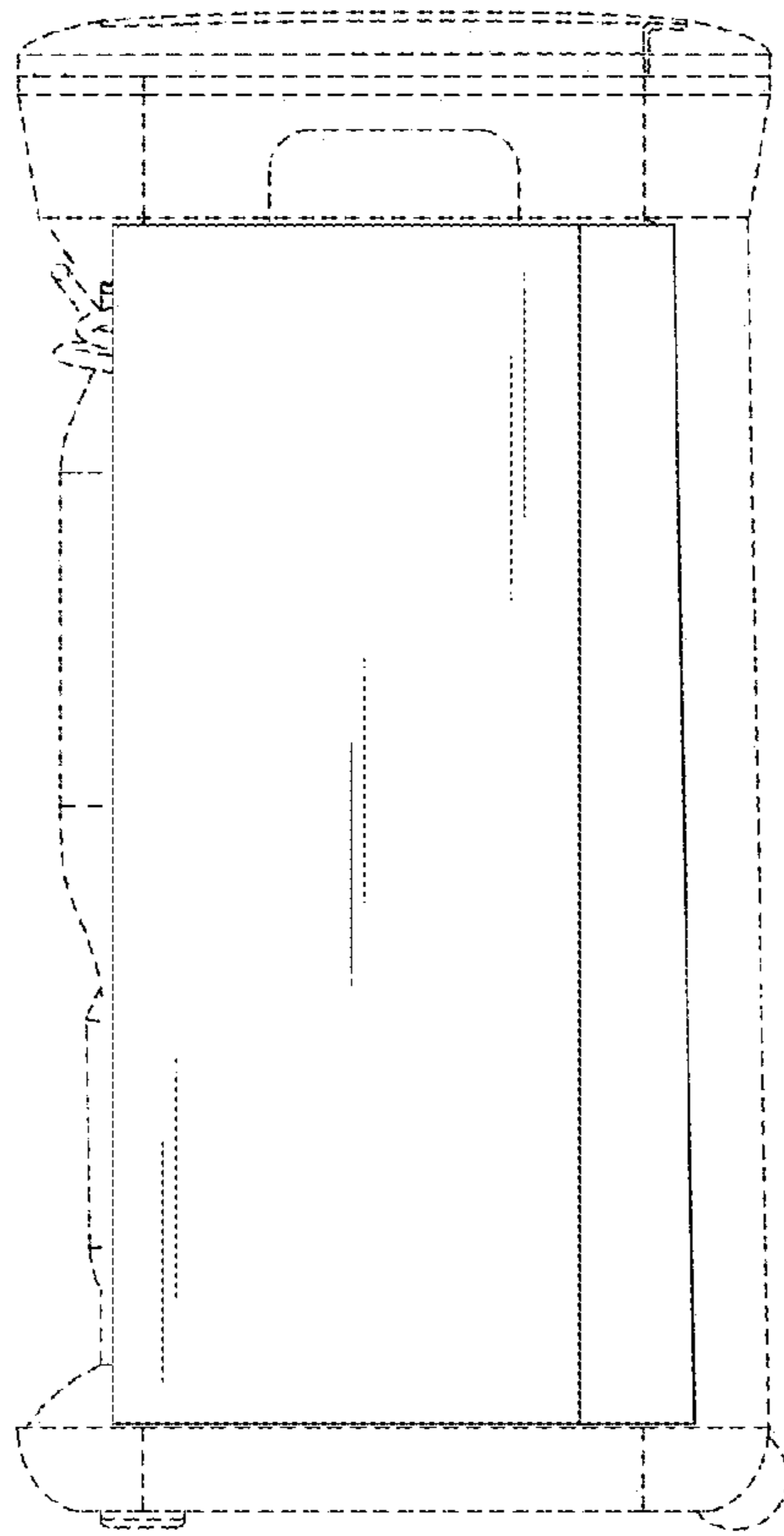


FIG. 5

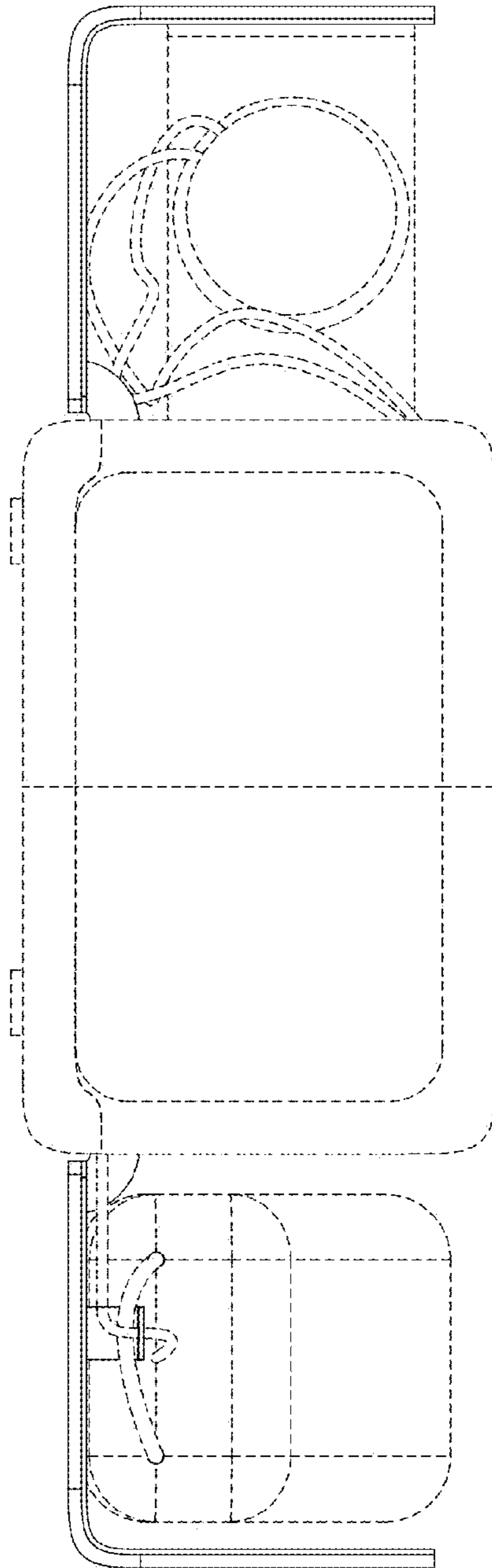


FIG. 6

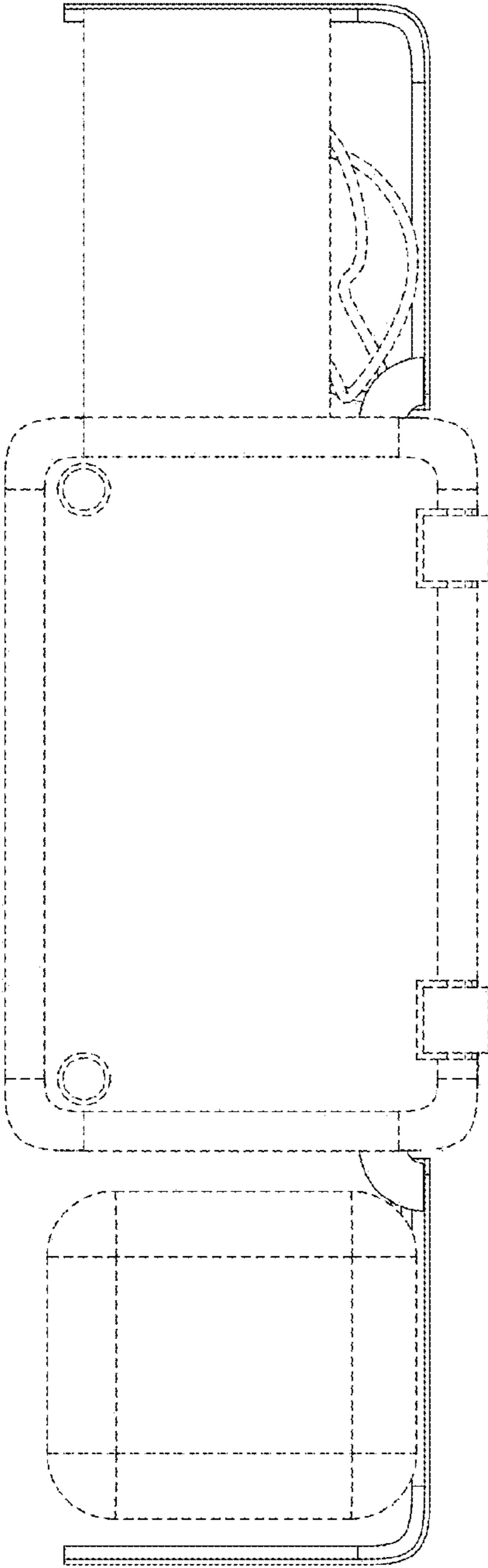


FIG. 7

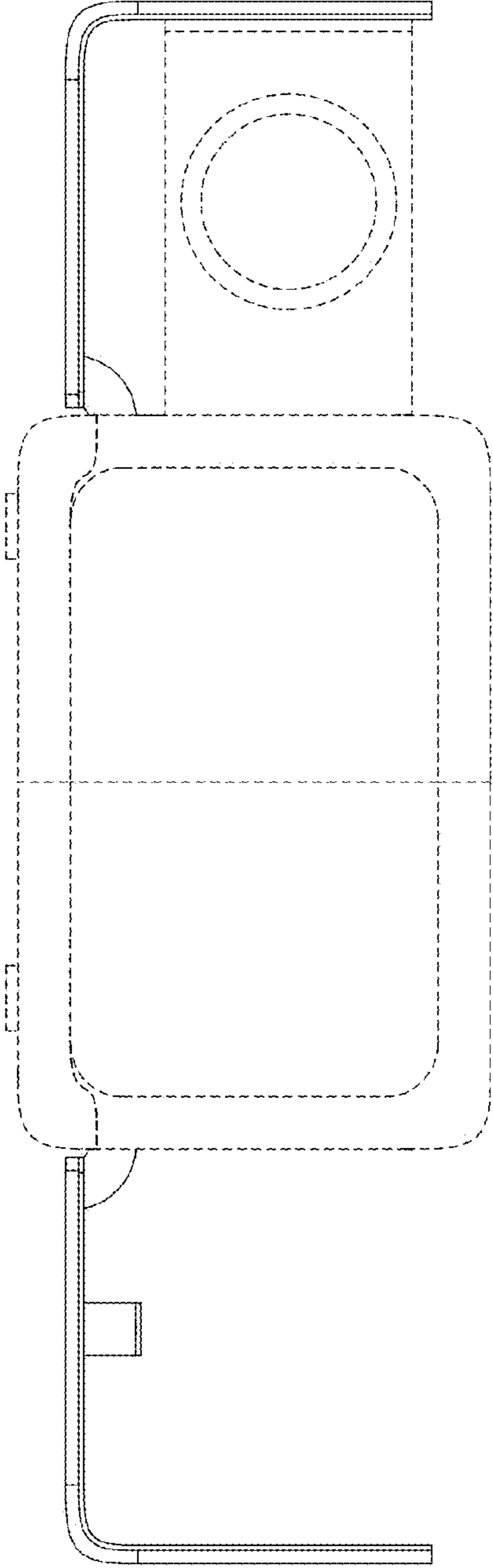


FIG. 8

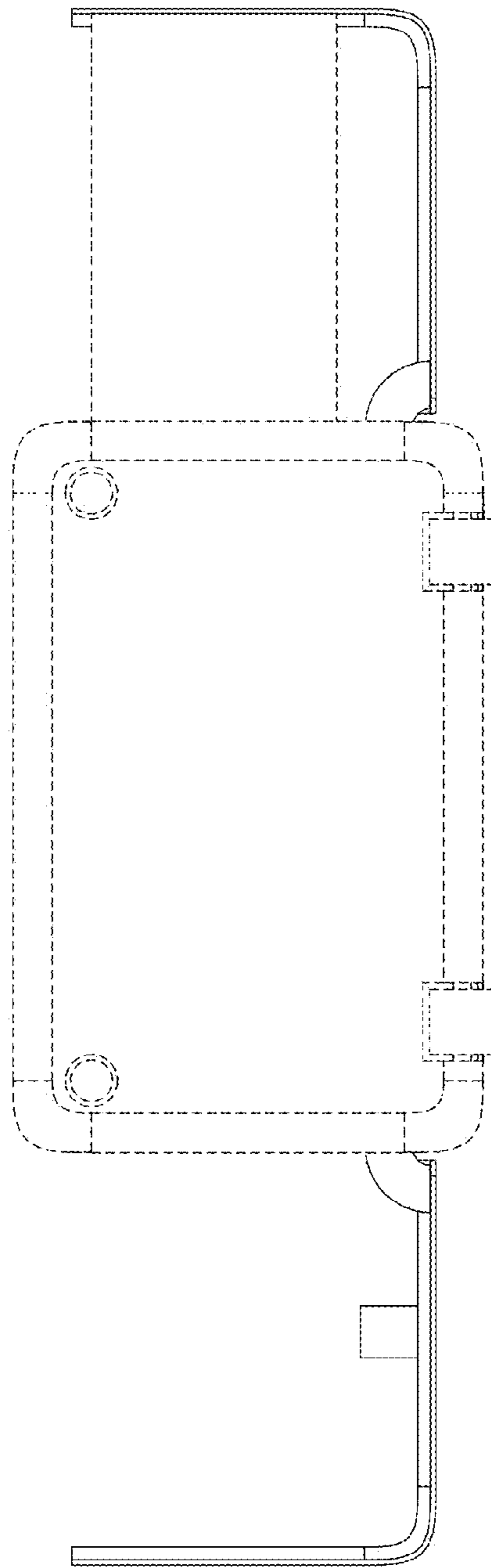


FIG. 9