

US00D714942S

(12) **United States Design Patent**  
**Hwang et al.**

(10) **Patent No.:** **US D714,942 S**

(45) **Date of Patent:** **\*\* Oct. 7, 2014**

(54) **ECG SENSOR**

(71) Applicant: **Merit Co., Ltd.**, Daejeon (KR)

(72) Inventors: **In Ha Hwang**, Daejeon (KR); **Hyun Mook Jung**, Daejeon (KR); **Chun Hui Park**, Daejeon (KR); **Seung Woo Lee**, Daejeon (KR)

(73) Assignee: **Merit Co., Ltd.**, Daejeon (KR)

(\*\*) Term: **14 Years**

(21) Appl. No.: **29/465,646**

(22) Filed: **Aug. 29, 2013**

(51) **LOC (10) Cl.** ..... **24-02**

(52) **U.S. Cl.**  
USPC ..... **D24/167**

(58) **Field of Classification Search**  
USPC ..... D24/165–168, 186, 187; D10/46, 70,  
D10/98; 600/301, 382, 390, 483, 500–503,  
600/508, 509, 513  
See application file for complete search history.

(56) **References Cited**

**U.S. PATENT DOCUMENTS**

5,078,134 A \* 1/1992 Heilman et al. .... 607/4  
D377,983 S \* 2/1997 Sabri et al. .... D24/167  
D557,423 S \* 12/2007 Chen ..... D24/187

D565,182 S \* 3/2008 Cheng et al. .... D24/167  
D584,176 S \* 1/2009 Maruyama et al. .... D10/70  
D606,656 S \* 12/2009 Kobayashi et al. .... D24/167  
D631,552 S \* 1/2011 Kasabach et al. .... D24/186  
D667,126 S \* 9/2012 Cho et al. .... D24/186  
D687,951 S \* 8/2013 Della Torre et al. .... D24/167  
D698,028 S \* 1/2014 Kasabach et al. .... D24/186  
D701,964 S \* 4/2014 Yoneta et al. .... D24/187  
2009/0018456 A1 \* 1/2009 Hung ..... 600/509

\* cited by examiner

*Primary Examiner* — Anhdao Doan

(74) *Attorney, Agent, or Firm* — Rabin & Berdo, P.C.

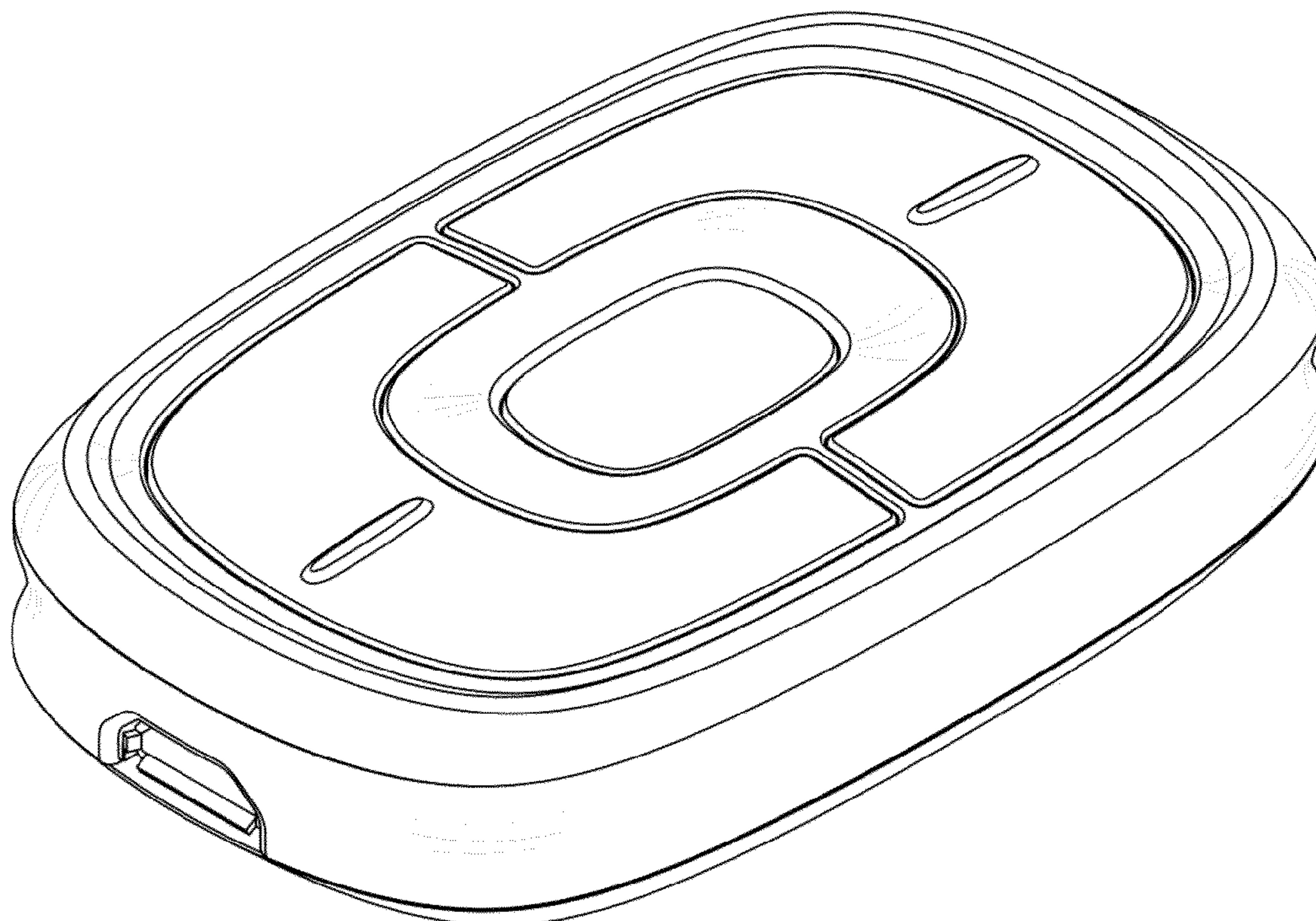
(57) **CLAIM**

The ornamental design for a ECG sensor, as shown and described.

**DESCRIPTION**

FIG. 1 is a perspective view of the ECG sensor; FIG. 2 is a front elevational view thereof; FIG. 3 is a rear elevational view thereof; FIG. 4 is a left elevational view thereof; FIG. 5 is a right elevational view thereof; FIG. 6 is a top plan view thereof; FIG. 7 is a bottom plan view thereof; and, FIG. 8 is a reference view when a ECG sensor is in use. The broken lines in FIG. 8 illustrate environmental subject matters and form no part of the claimed design.

**1 Claim, 6 Drawing Sheets**



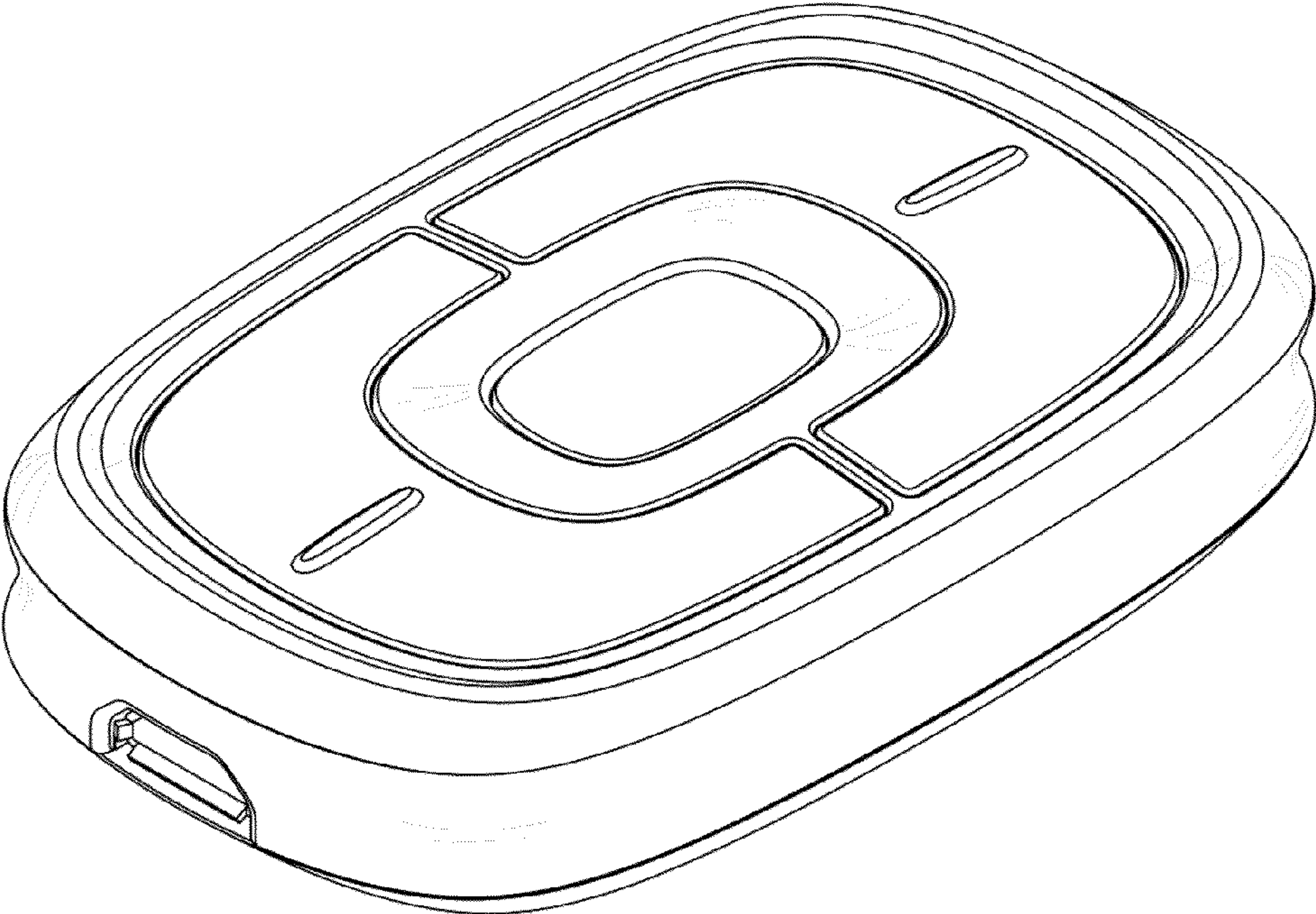


FIG. 1

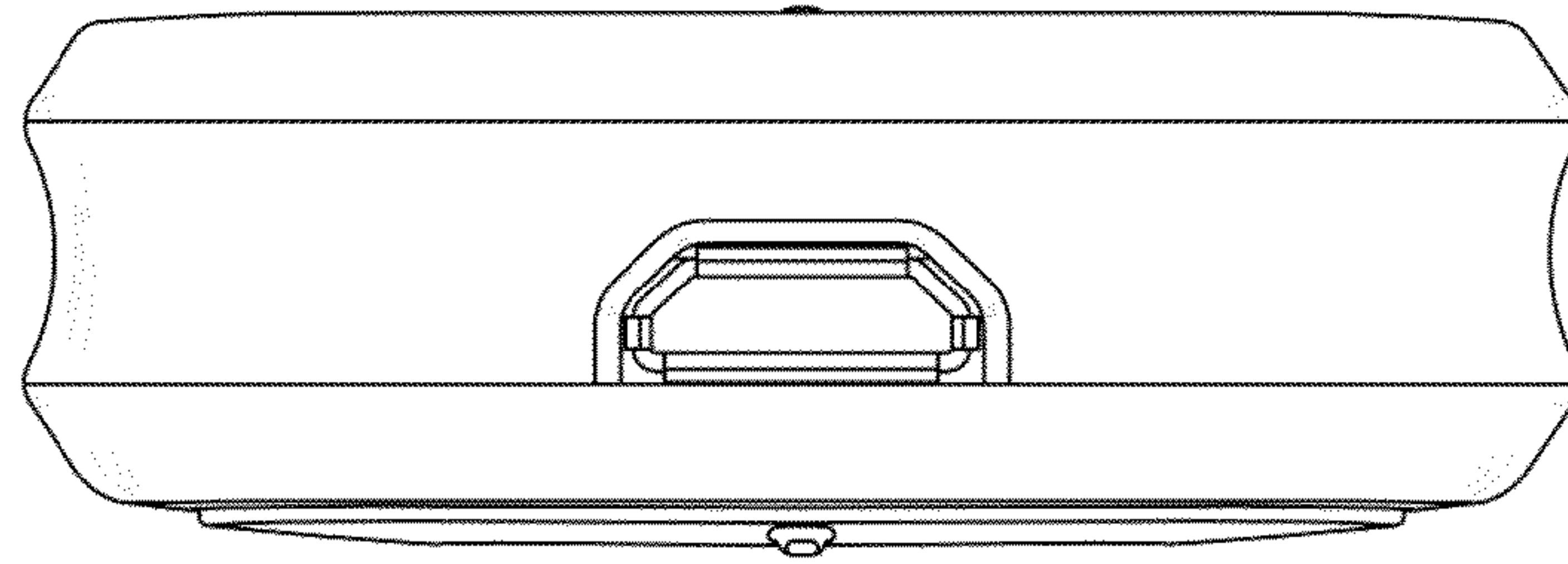


FIG. 2

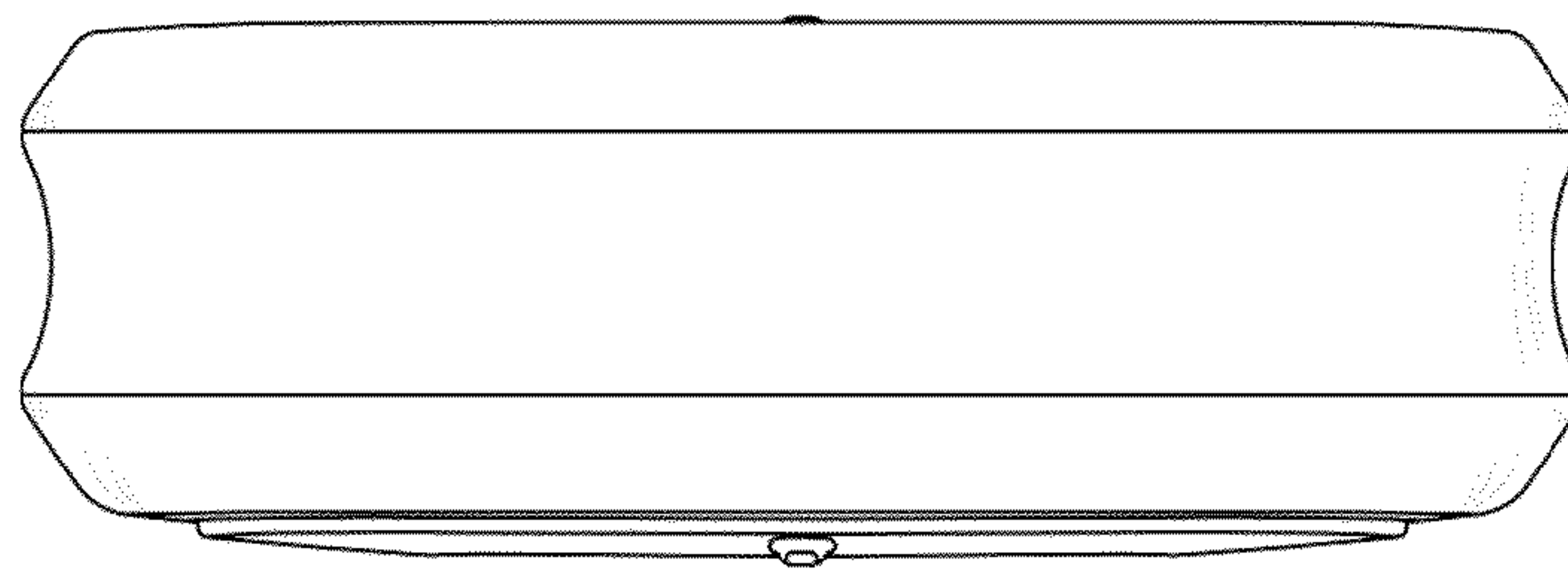


FIG. 3

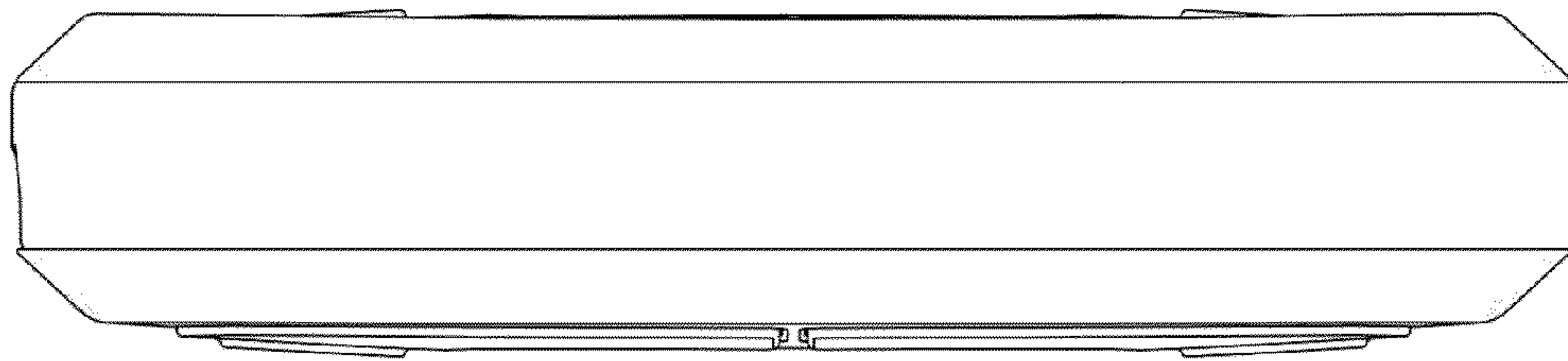


FIG. 4

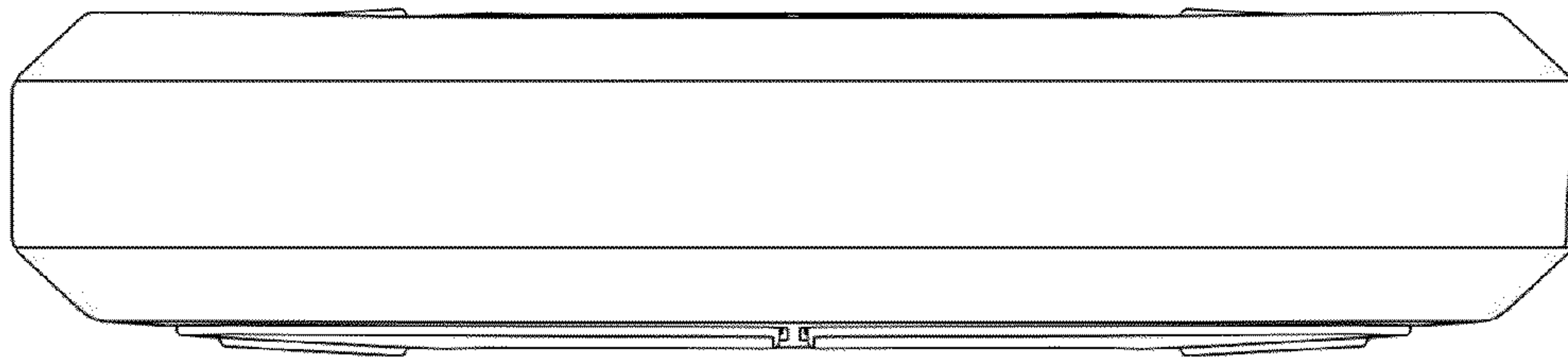


FIG. 5



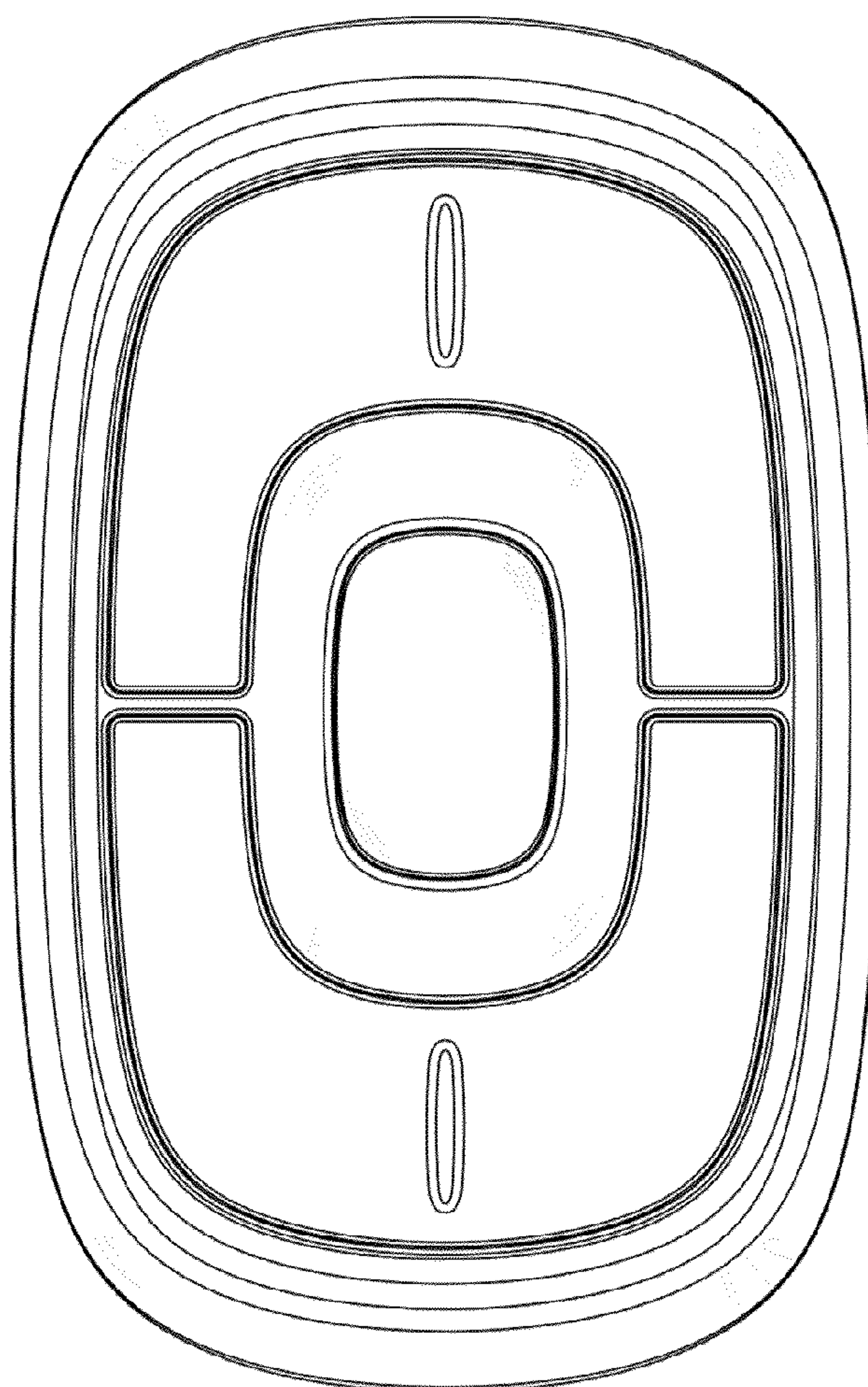


FIG. 6

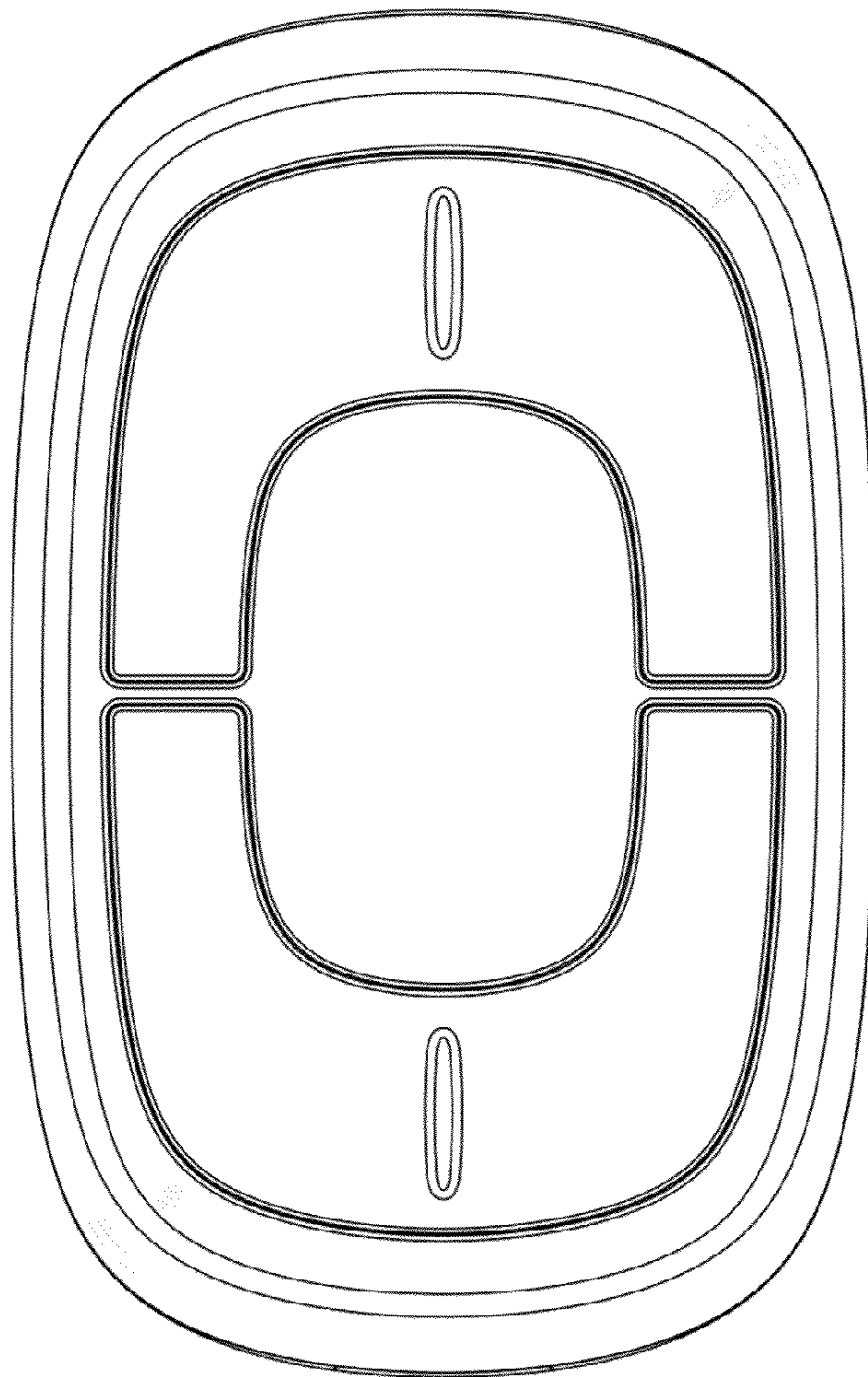


FIG. 7

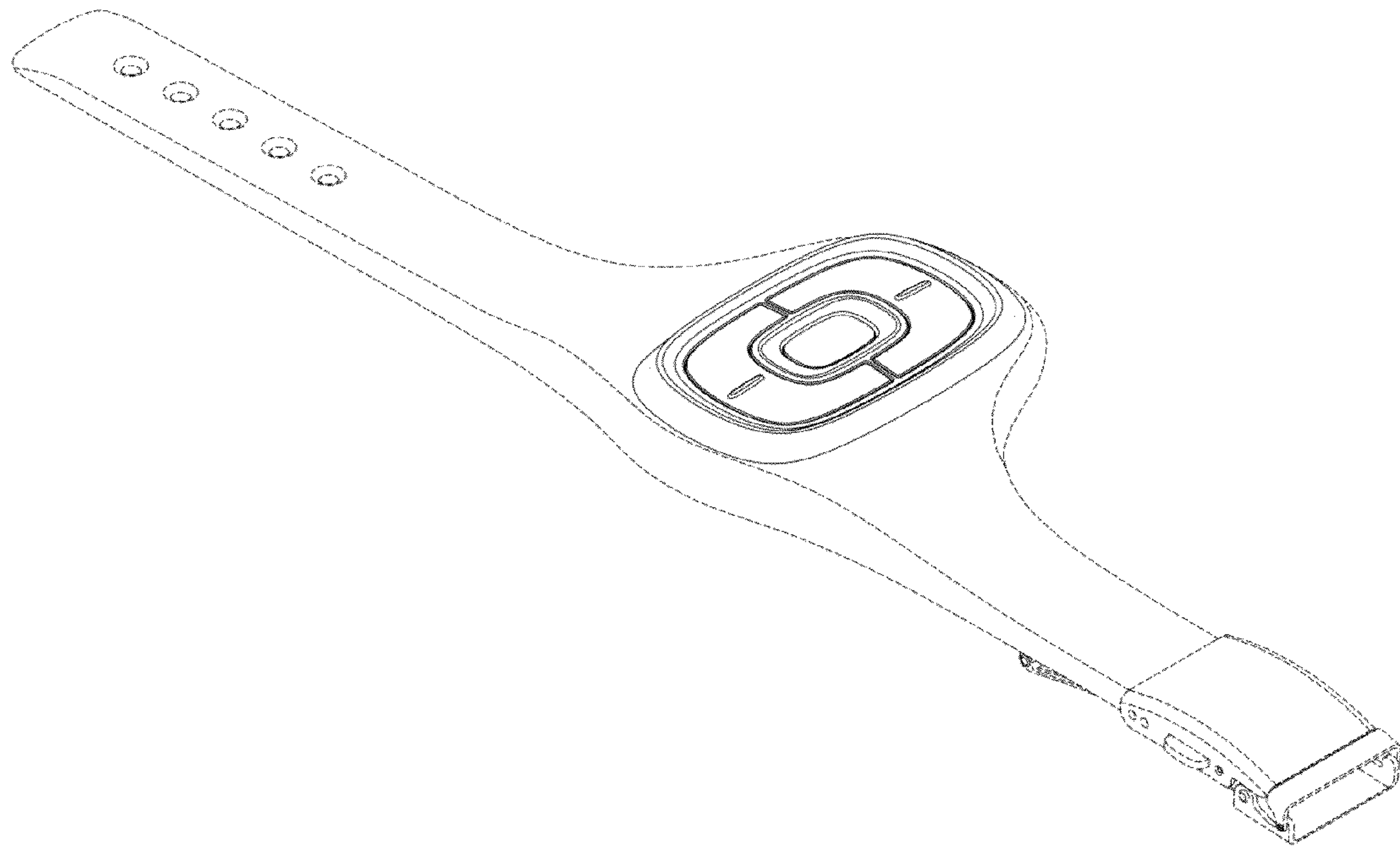


FIG. 8