



US00D714941S

(12) **United States Design Patent**  
**Kim**

(10) **Patent No.:** **US D714,941 S**  
(45) **Date of Patent:** **\*\* Oct. 7, 2014**

(54) **STAND FOR X-RAY IMAGING APPARATUS**

(56) **References Cited**

(71) Applicant: **Nanofocusray Co., Ltd.**, Jeollabuk-do (KR)

U.S. PATENT DOCUMENTS

(72) Inventor: **Kyong Woo Kim**, Jeollabuk-do (KR)

D273,892	S	*	5/1984	Fenne et al.	.....	D24/158
D566,283	S	*	4/2008	Brafford et al.	.....	D24/186
7,720,523	B2	*	5/2010	Omernick et al.	.....	378/98
D617,906	S	*	6/2010	Nakahara et al.	.....	D24/158
D690,012	S	*	9/2013	Yanase et al.	.....	D24/158
D691,723	S	*	10/2013	Patil et al.	.....	D24/158
8,690,425	B2	*	4/2014	Kopcienski et al.	.....	378/198
2010/0329427	A1	*	12/2010	Takae et al.	.....	378/198
2011/0317816	A1	*	12/2011	Bechard et al.	.....	378/98.8
2012/0045037	A1	*	2/2012	Carmichael et al.	.....	378/198
2013/0136240	A1	*	5/2013	Causape Rodriguez et al.	.....	378/198

(73) Assignee: **Nanofocusray Co., Ltd.**, Jeollabuk-do (KR)

(\*\*) Term: **14 Years**

(21) Appl. No.: **29/482,509**

\* cited by examiner

(22) Filed: **Feb. 19, 2014**

*Primary Examiner* — Anhdao Doan  
(74) *Attorney, Agent, or Firm* — Rabin & Berdo, P.C.

(30) **Foreign Application Priority Data**

(57) **CLAIM**

Jan. 6, 2014 (KR) ..... 30-2014-0000610

I claim the ornamental design for stand for X-ray imaging apparatus, as shown and described.

(51) **LOC (10) Cl.** ..... **24-01**

**DESCRIPTION**

(52) **U.S. Cl.**

USPC ..... **D24/158**

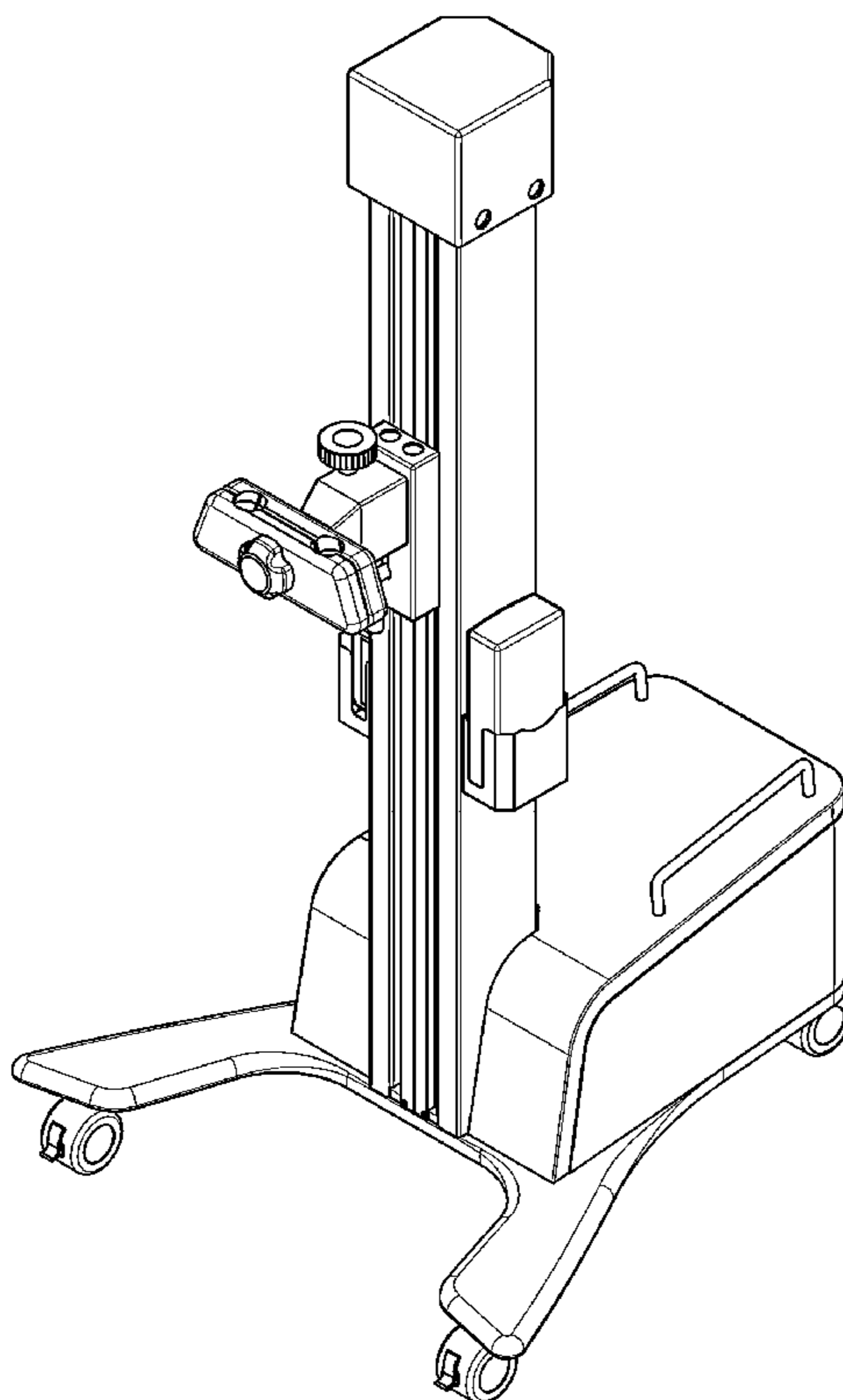
(58) **Field of Classification Search**

USPC ..... D24/158-161, 185, 186; 378/4, 21-27, 378/38, 40, 102, 196-198; 248/125.1, 127, 248/158

FIG. 1 is a perspective view of stand for X-ray imaging apparatus showing my new design;  
FIG. 2 is a front view thereof;  
FIG. 3 is a rear view thereof;  
FIG. 4 is a left side view thereof;  
FIG. 5 is a right side view thereof;  
FIG. 6 is a top plan view thereof; and,  
FIG. 7 is a bottom view thereof.

See application file for complete search history.

**1 Claim, 7 Drawing Sheets**



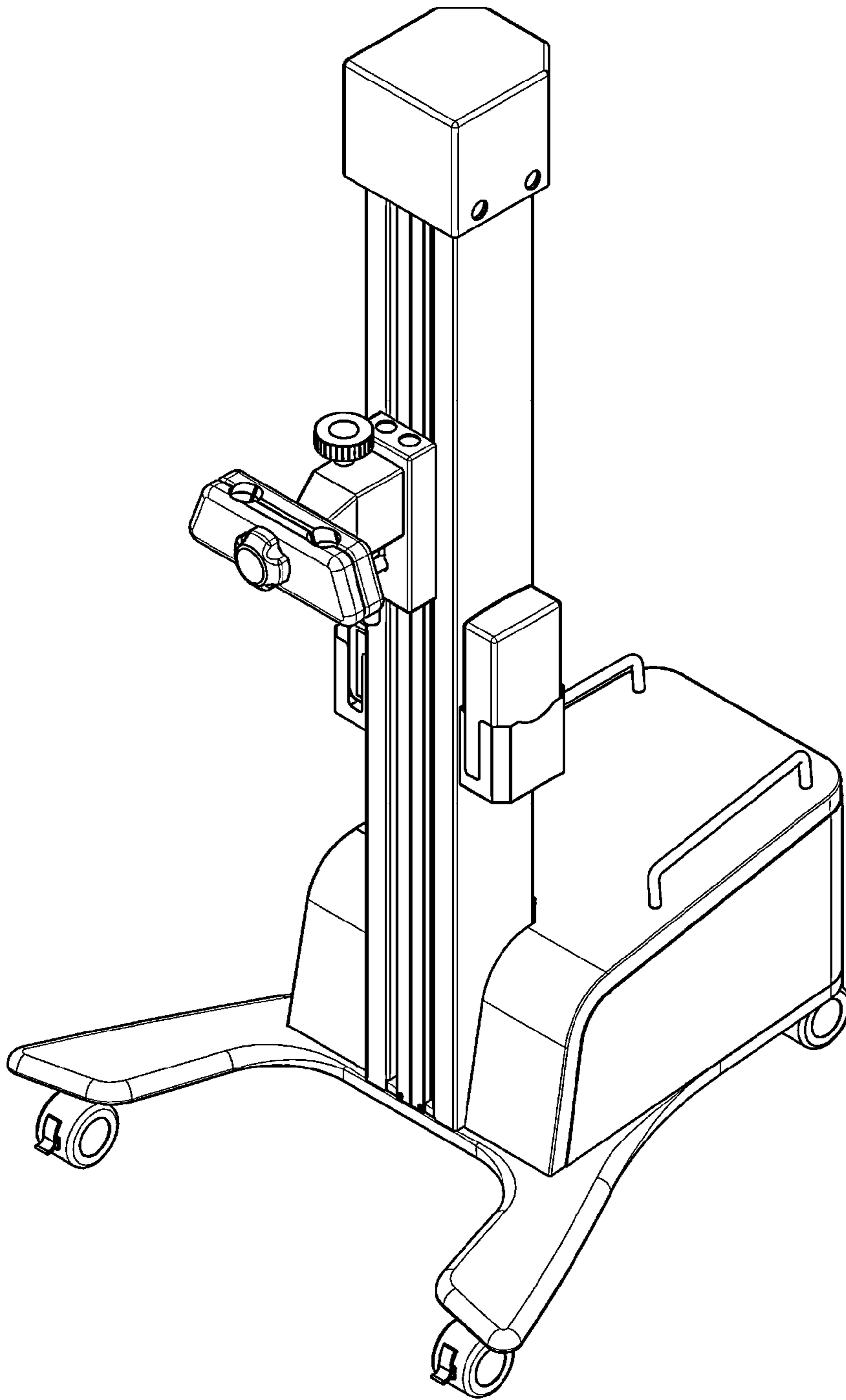


FIG. 1

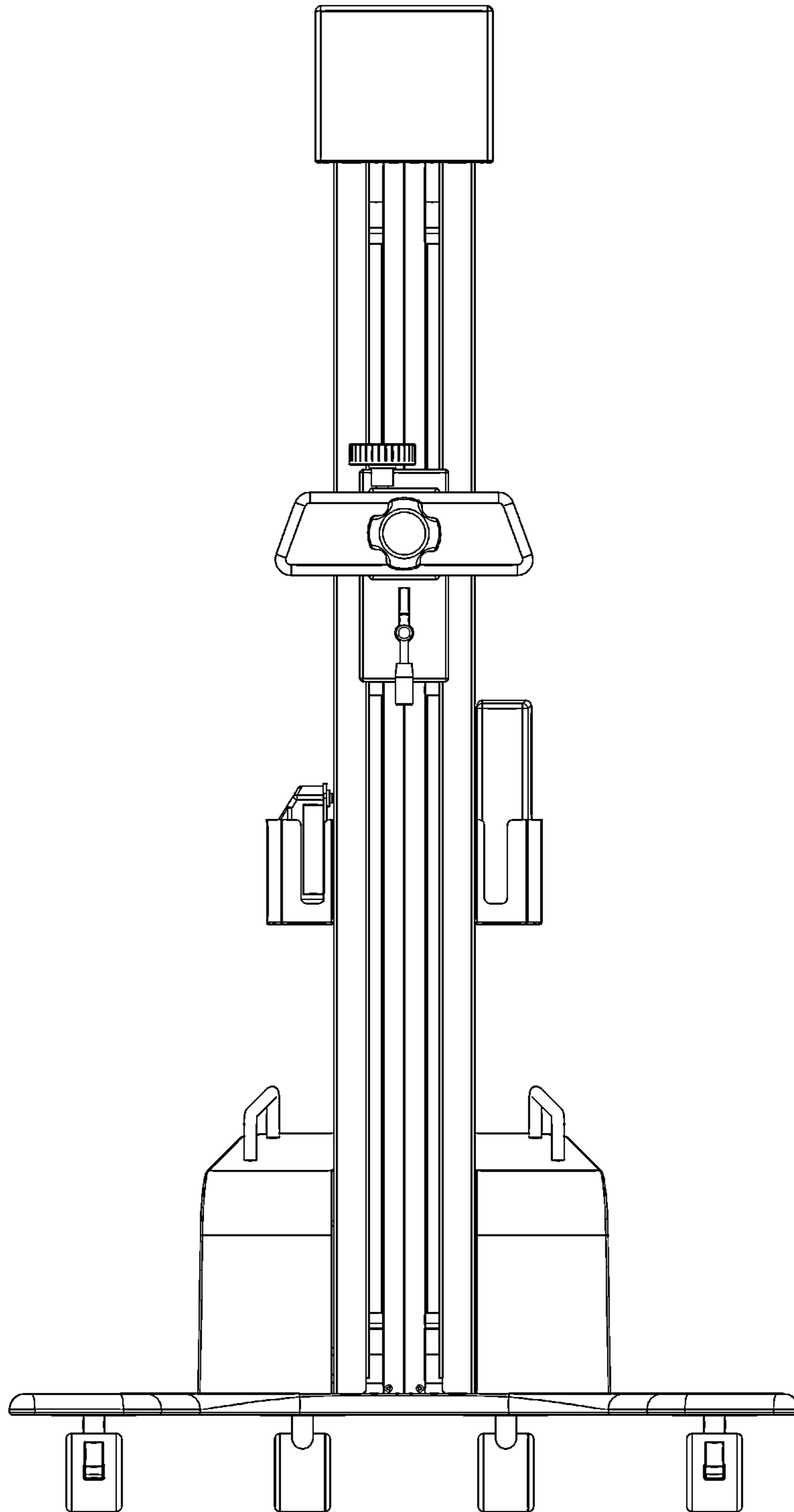


FIG. 2

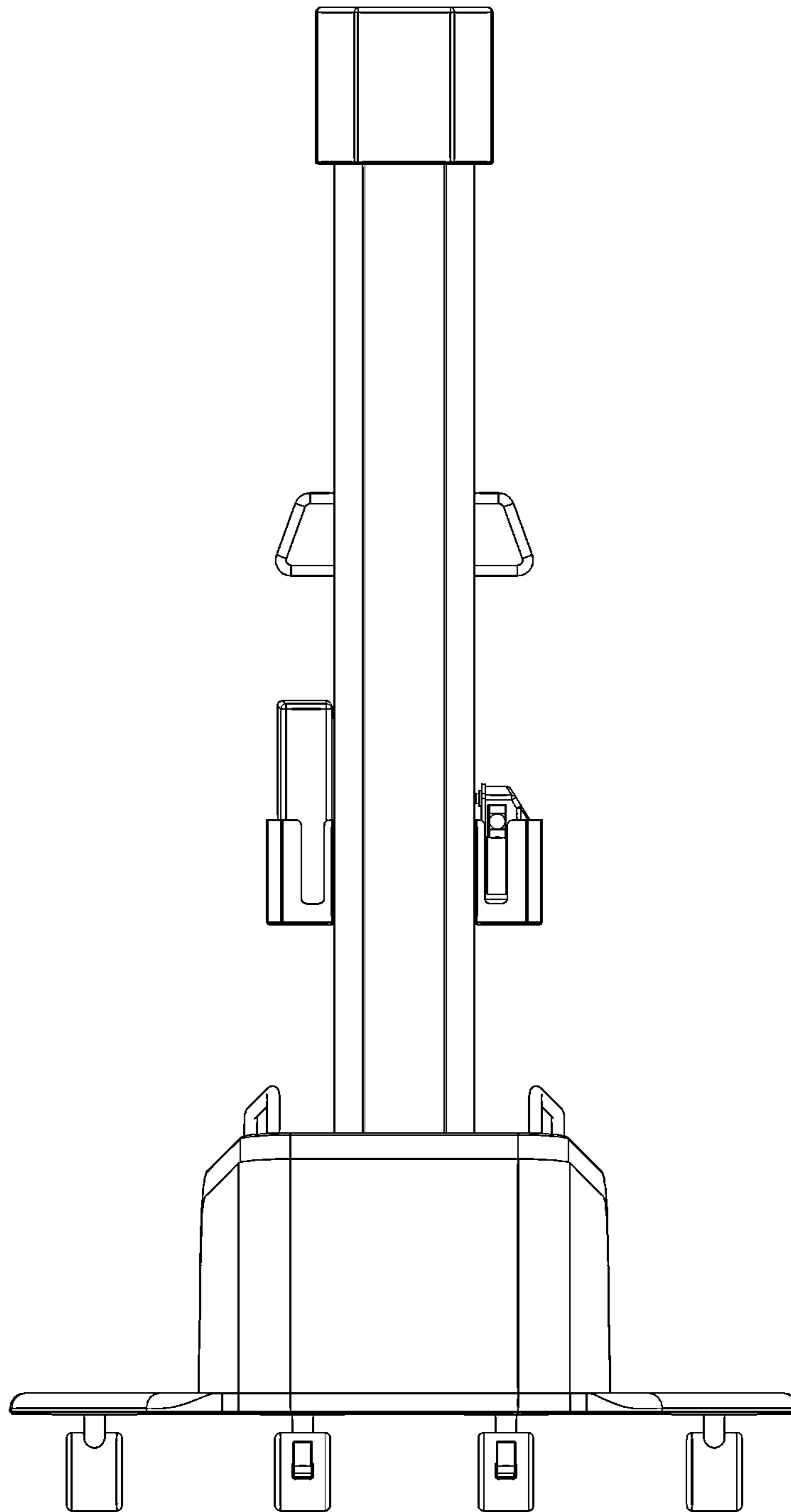


FIG. 3

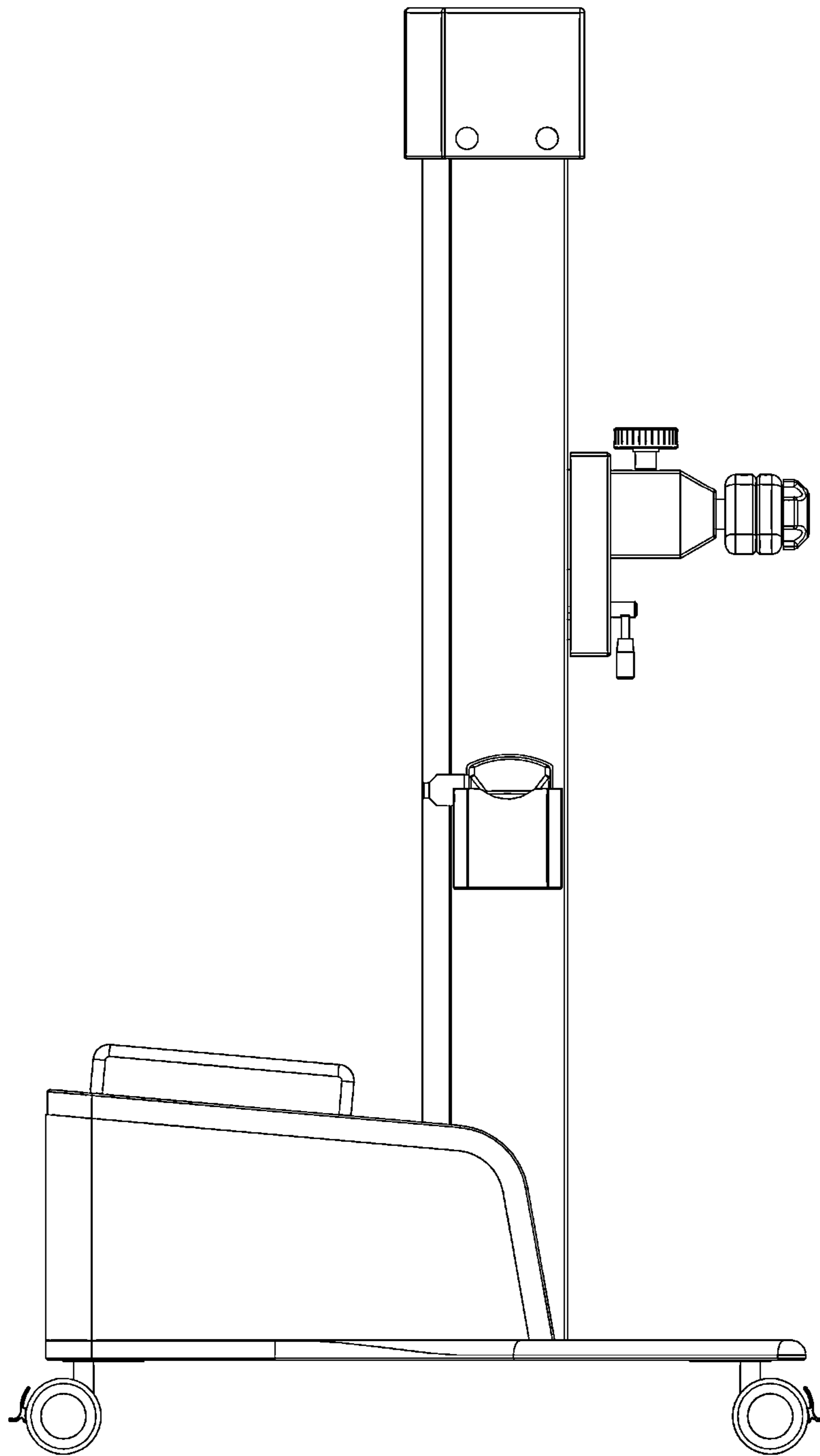


FIG. 4

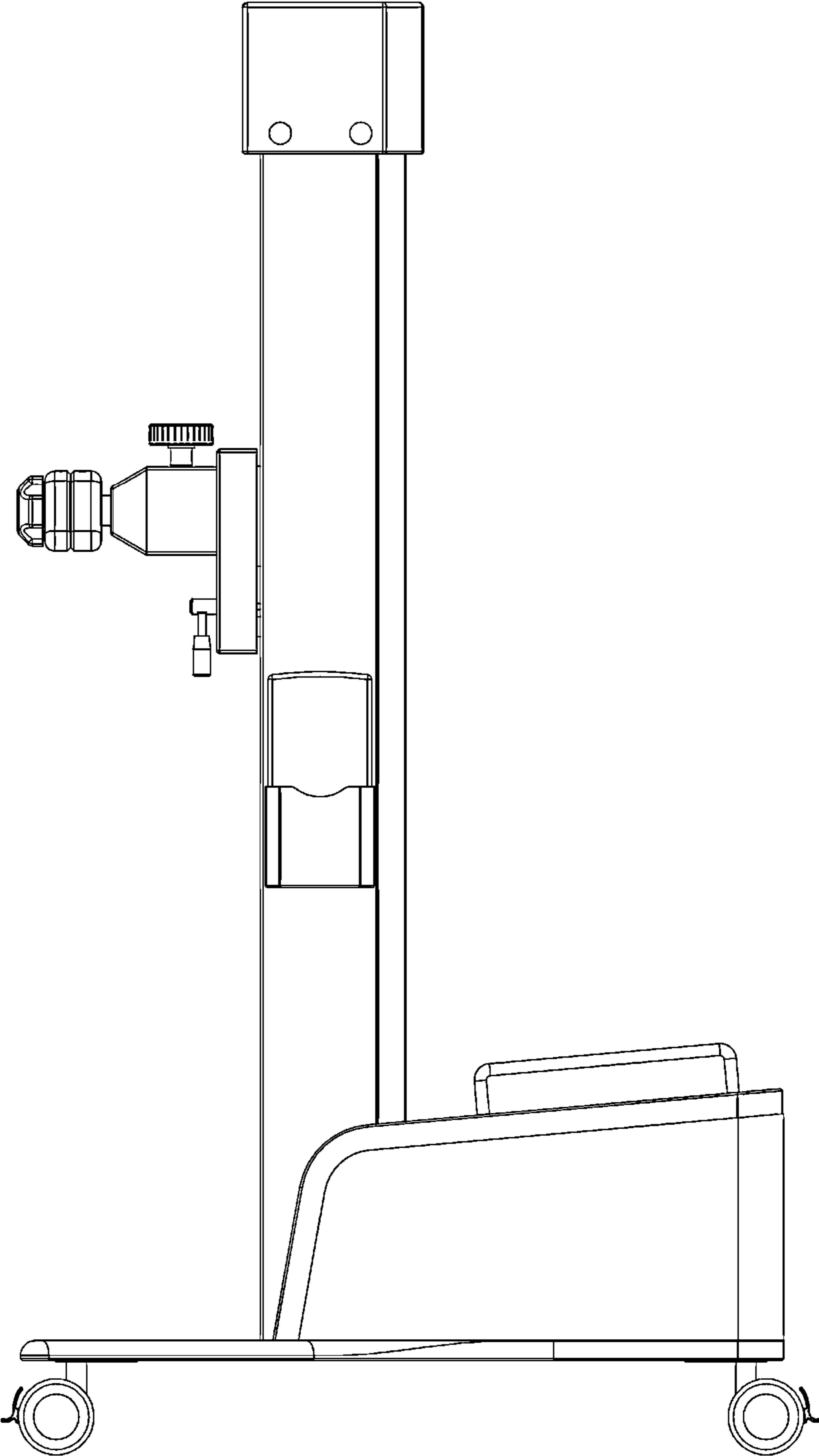


FIG. 5

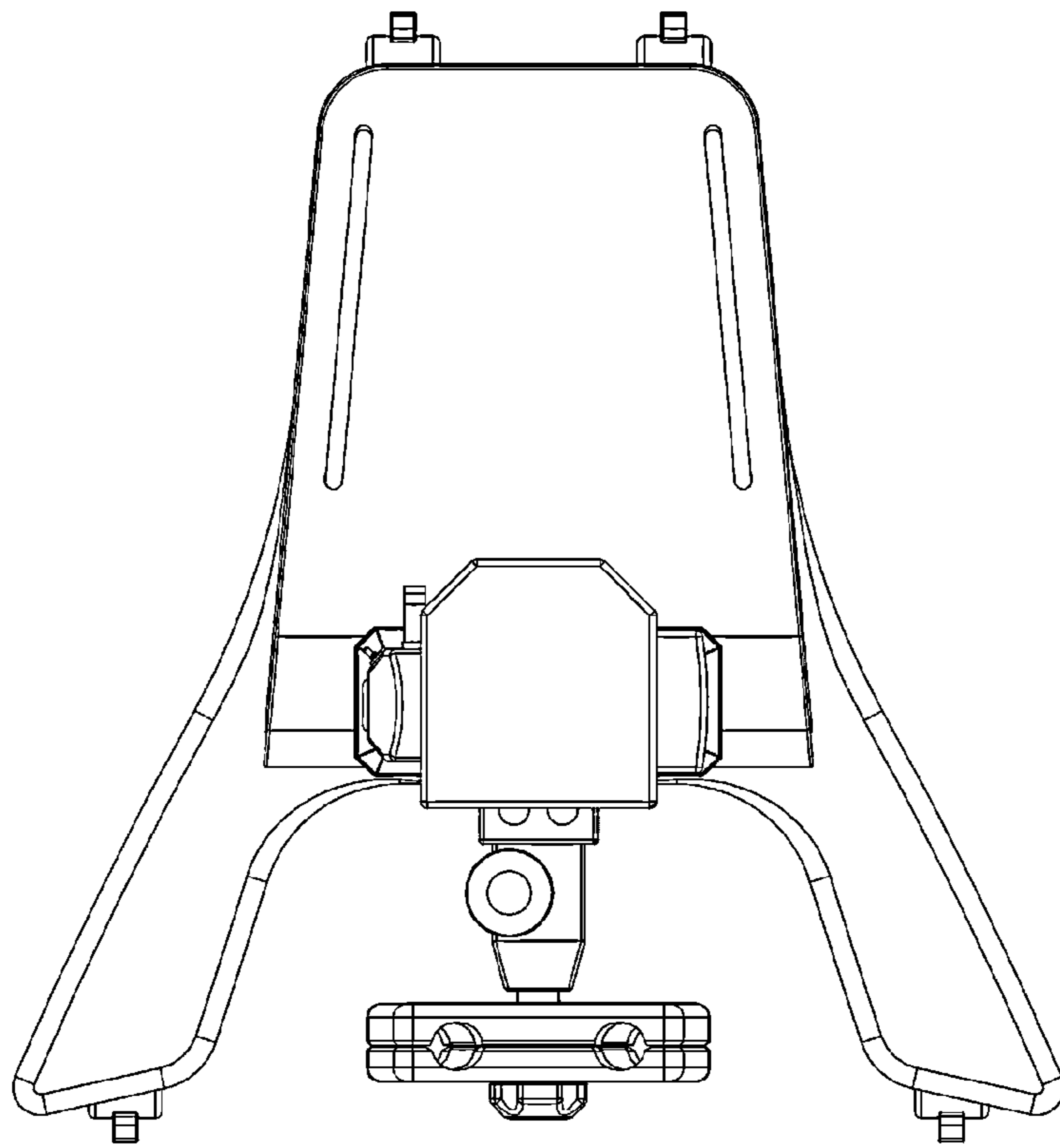


FIG. 6

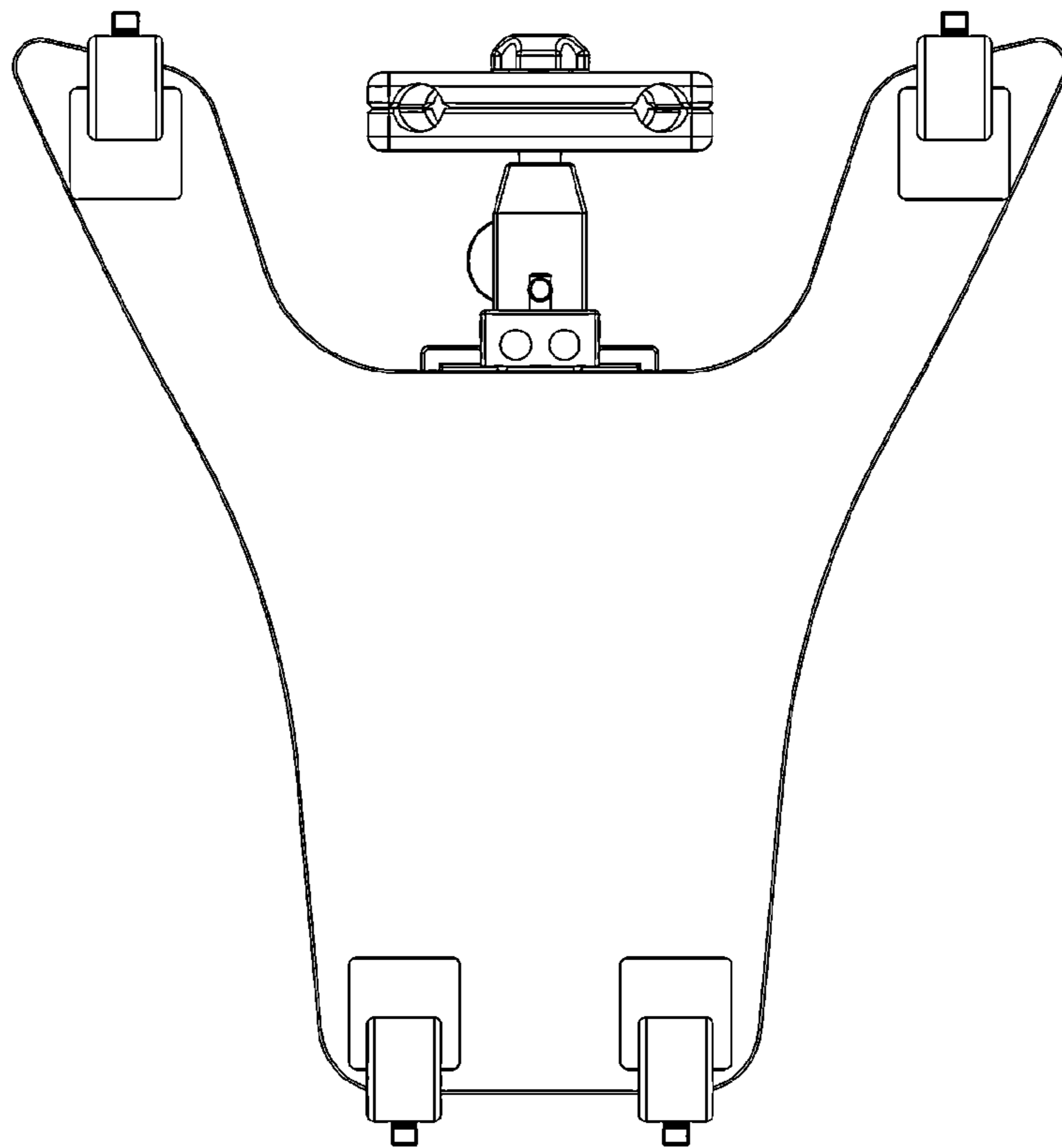


FIG. 7