



US00D714940S

(12) **United States Design Patent**
Kim

(10) **Patent No.:** **US D714,940 S**

(45) **Date of Patent:** **** Oct. 7, 2014**

(54) **MEDICAL X-RAY IMAGING APPARATUS**

(56)

References Cited

(71) Applicant: **Nanofocusray Co., Ltd.**, Jeollabuk-do (KR)

(72) Inventor: **Kyong Woo Kim**, Jeollabuk-do (KR)

(73) Assignee: **Nanofocusray Co., Ltd.**, Jeollabuk-do (KR)

(**) Term: **14 Years**

(21) Appl. No.: **29/482,504**

(22) Filed: **Feb. 19, 2014**

(30) **Foreign Application Priority Data**

Jan. 6, 2014 (KR) 30-2014-0000611

(51) **LOC (10) Cl.** **24-01**

(52) **U.S. Cl.**
USPC **D24/158**

(58) **Field of Classification Search**
USPC D24/158-161, 185, 186; 378/4, 21-27,
378/38, 40, 102, 196-198

See application file for complete search history.

U.S. PATENT DOCUMENTS

D393,068	S	*	3/1998	Isshiki	D24/158
D439,668	S	*	3/2001	Aoki et al.	D24/159
6,236,210	B1	*	5/2001	Takekoshi et al.	324/319
D533,555	S	*	12/2006	Odhe et al.	D24/158
D609,811	S	*	2/2010	Yokoyama et al.	D24/159
8,052,325	B2	*	11/2011	Hibino et al.	378/197
D686,324	S	*	7/2013	Davis et al.	D24/158
2012/0106716	A1	*	5/2012	Herrnsdorf	378/205
2012/0148031	A1	*	6/2012	Eaves	378/198

* cited by examiner

Primary Examiner — Anhdao Doan

(74) *Attorney, Agent, or Firm* — Rabin & Berdo, P.C.

(57)

CLAIM

I claim the ornamental design for a medical X-ray imaging apparatus, as shown and described.

DESCRIPTION

FIG. 1 is a perspective view of a medical X-ray imaging apparatus showing my new design;

FIG. 2 is a front view thereof;

FIG. 3 is a rear view thereof;

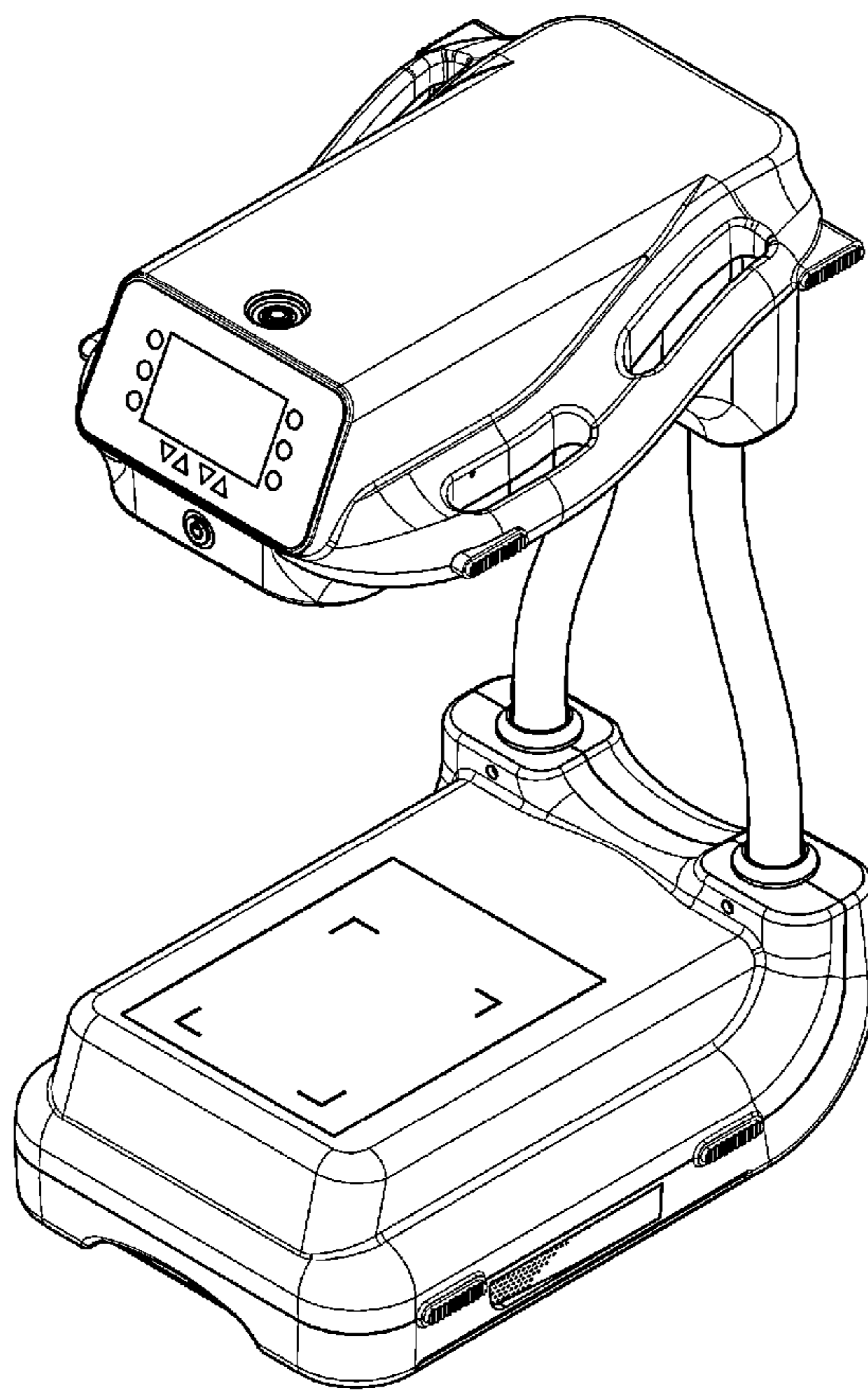
FIG. 4 is a left side view thereof;

FIG. 5 is a right side view thereof;

FIG. 6 is a top plan view thereof; and,

FIG. 7 is a bottom plan view thereof.

1 Claim, 7 Drawing Sheets



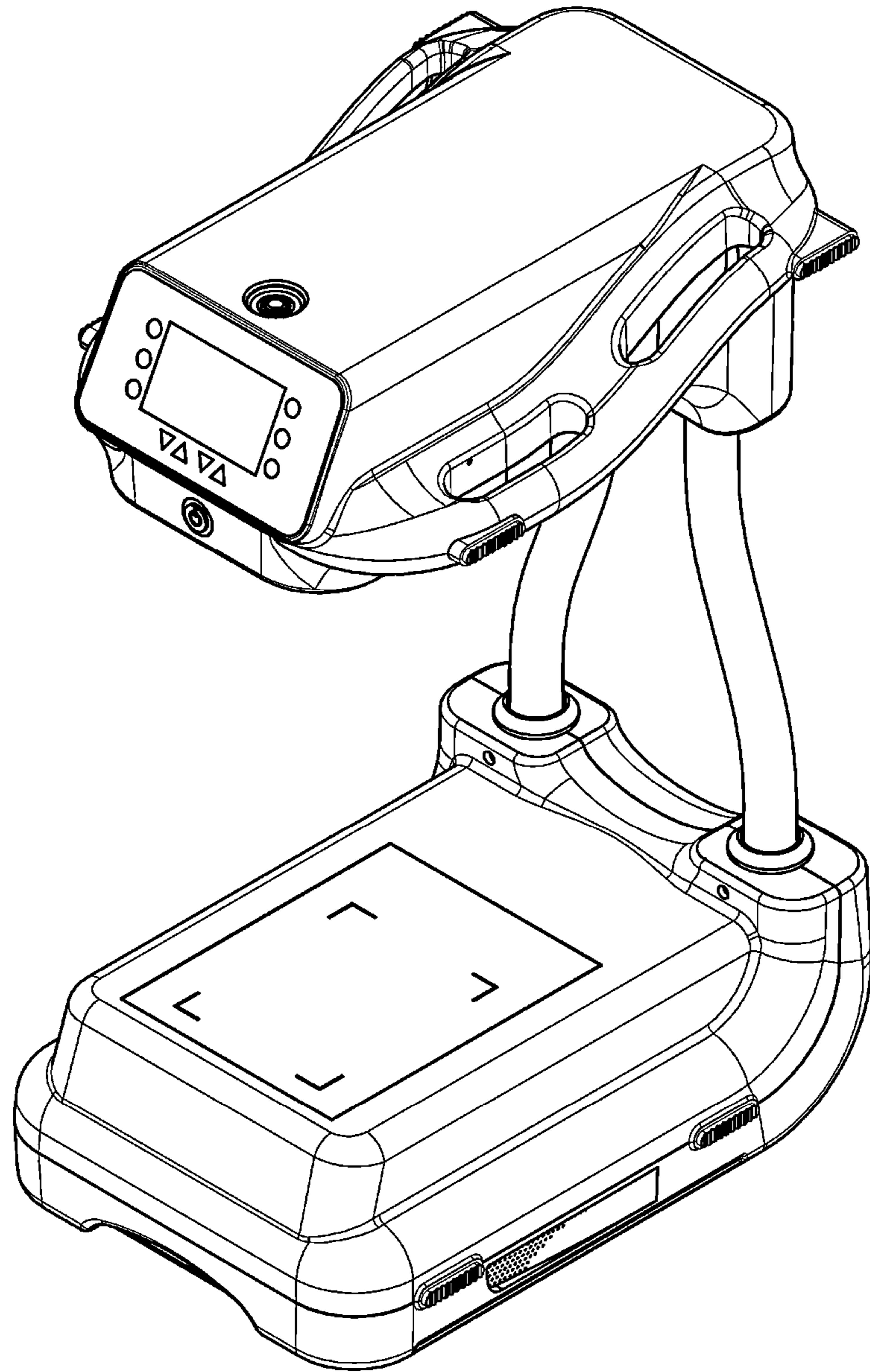


FIG. 1

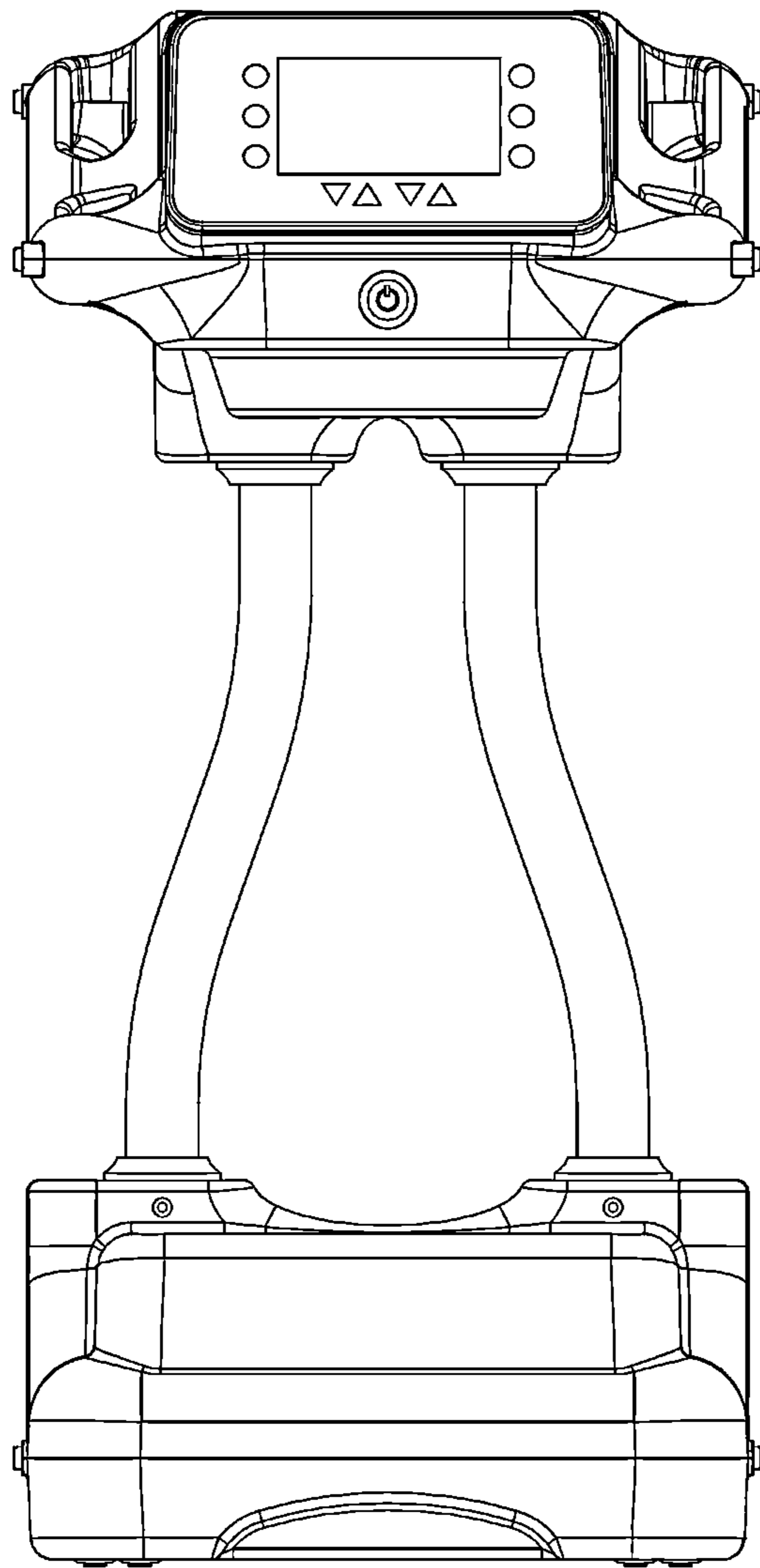


FIG. 2

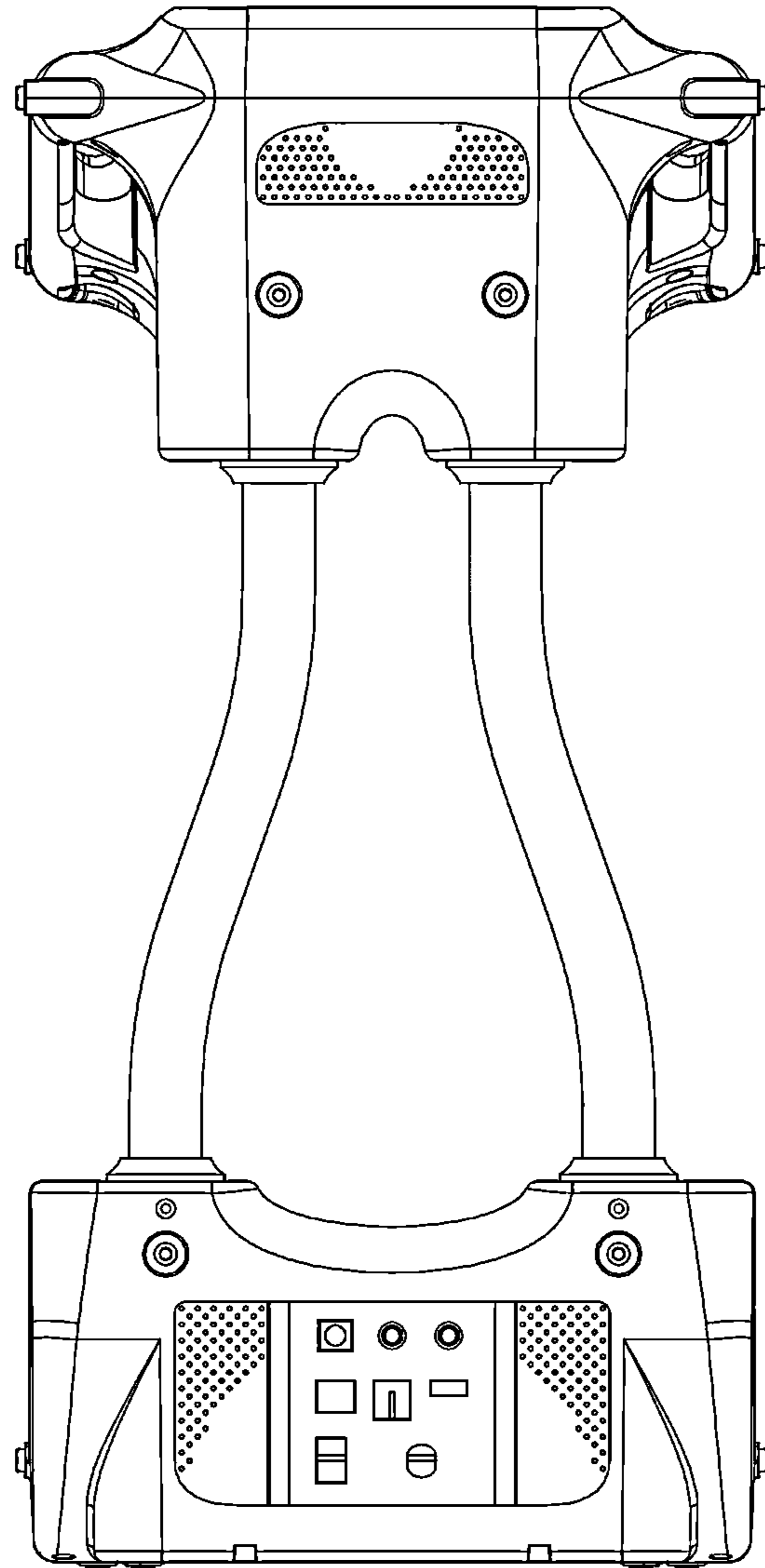


FIG. 3

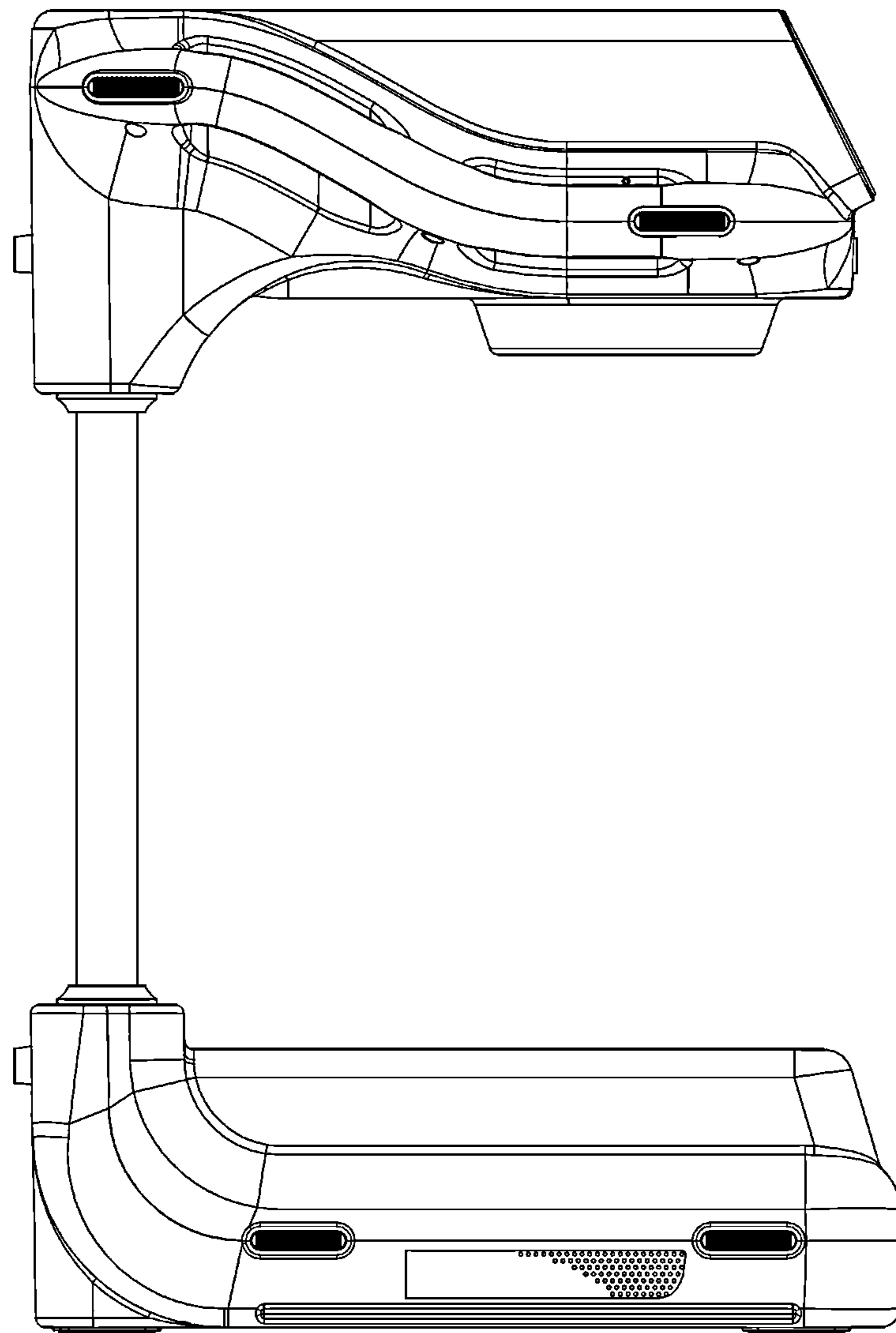


FIG. 4

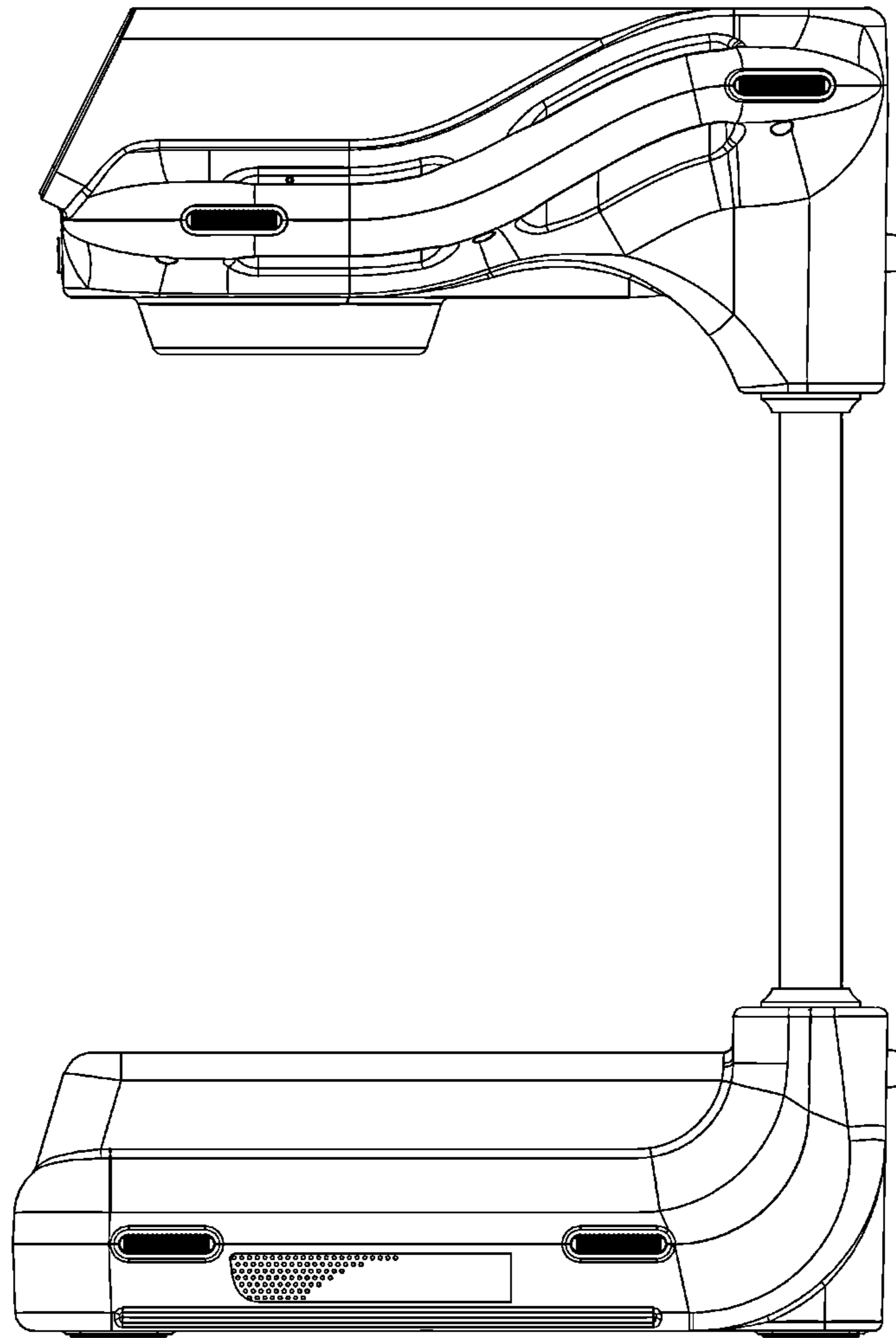


FIG. 5

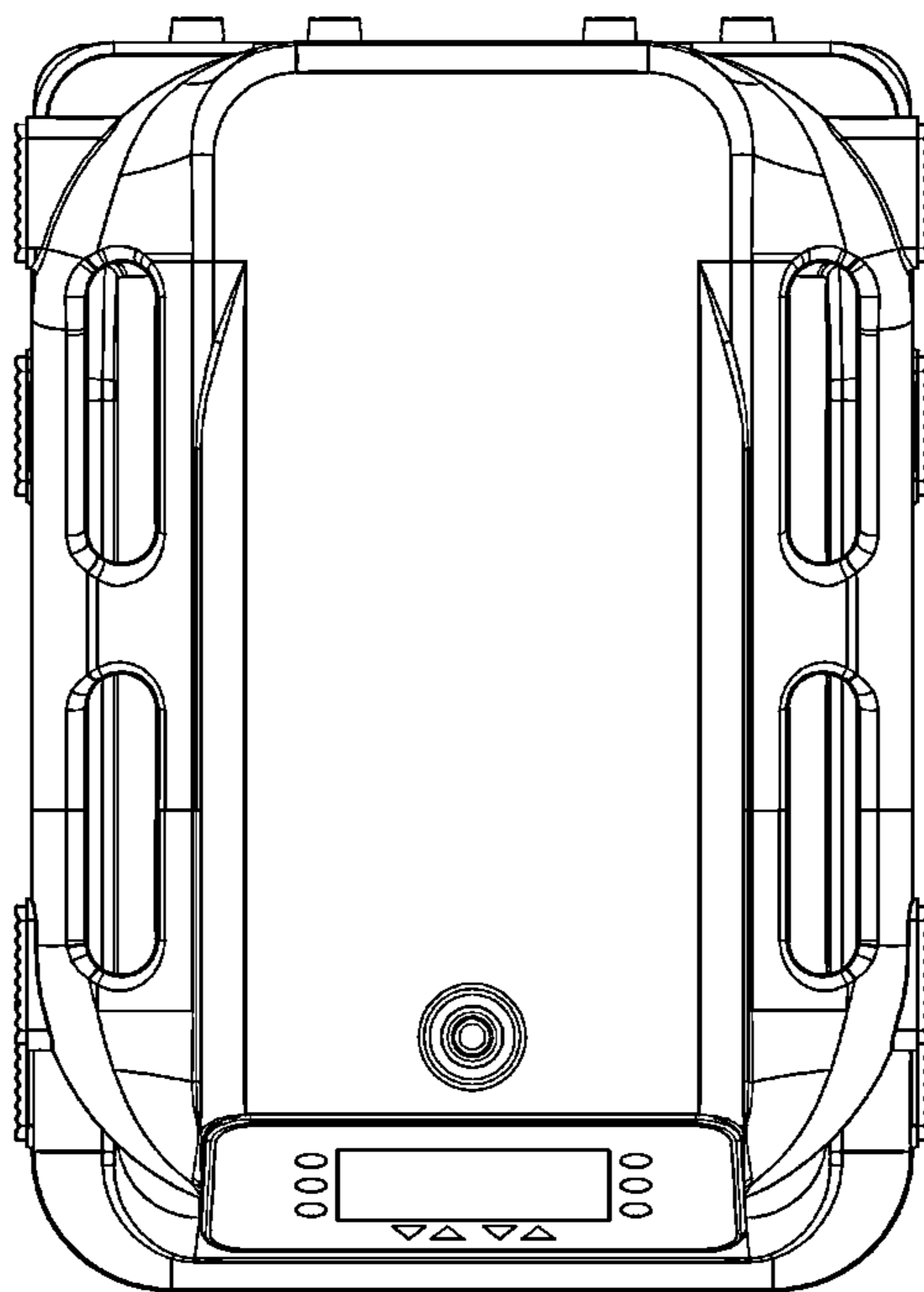


FIG. 6

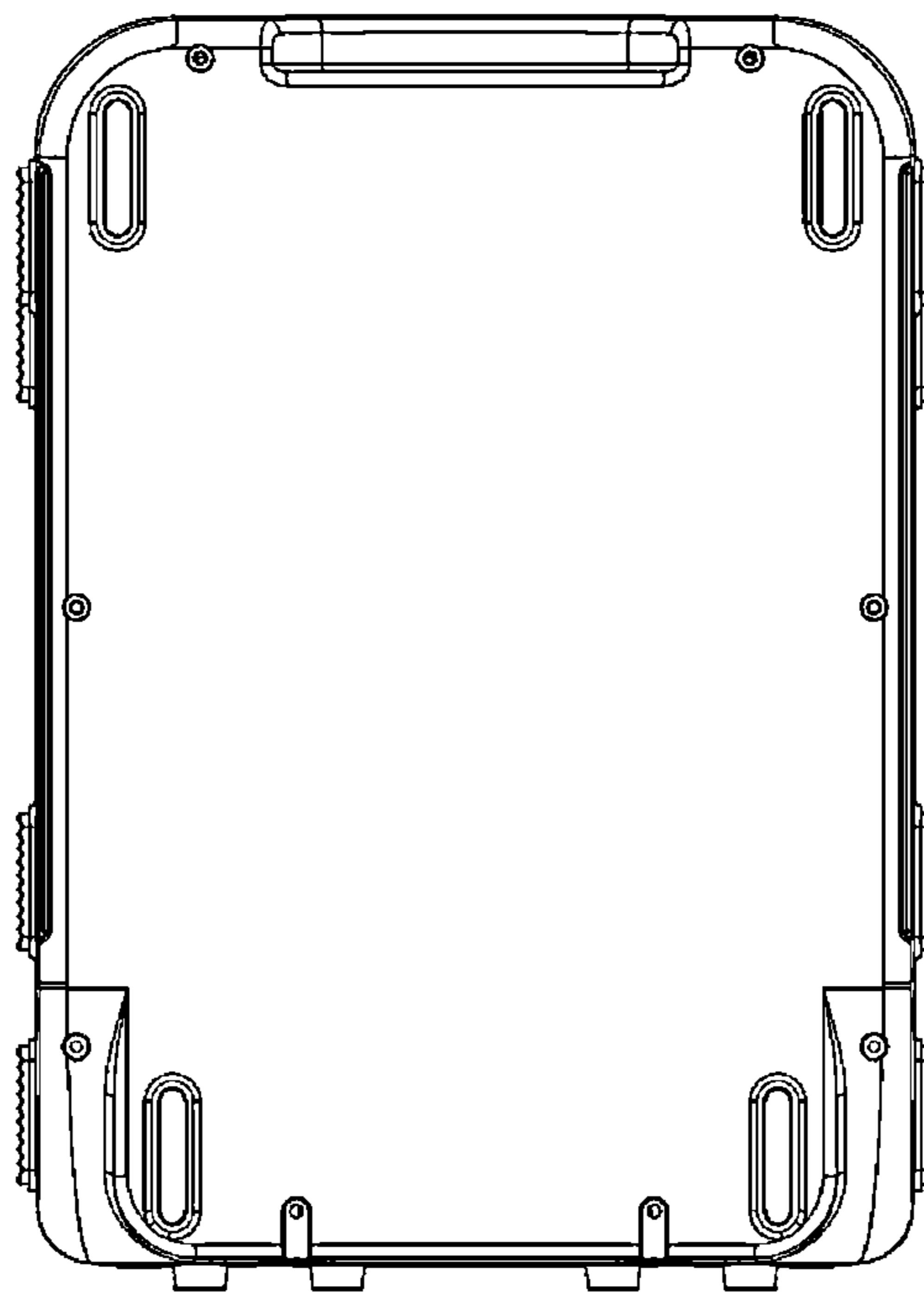


FIG. 7