



US00D714937S

(12) **United States Design Patent**  
**Scarfi et al.**

(10) **Patent No.:** **US D714,937 S**

(45) **Date of Patent:** **\*\* Oct. 7, 2014**

(54) **MEDICAL DEVICE**

(75) Inventors: **Andrea Scarfi**, Ostfildern (DE); **Martin Blocher**, Stockach-Espasingen (DE)

(73) Assignee: **KARL STORZ GmbH & Co. KG**, Tuttlingen (DE)

(\*\*) Term: **14 Years**

(21) Appl. No.: **29/425,595**

(22) Filed: **Jun. 25, 2012**

(30) **Foreign Application Priority Data**

Dec. 23, 2011 (EM) ..... 001968330-0007  
Dec. 23, 2011 (EM) ..... 001968330-0008  
Dec. 23, 2011 (EM) ..... 001968330-0009

(51) **LOC (10) Cl.** ..... **24-02**

(52) **U.S. Cl.**  
USPC ..... **D24/143**

(58) **Field of Classification Search**  
USPC ..... D24/143-147, 149, 153; 606/119,  
606/121-122, 51-52, 142, 151, 155, 167,  
606/172, 184, 205-207  
See application file for complete search history.

(56) **References Cited**

**U.S. PATENT DOCUMENTS**

1,072,038 A \* 9/1913 Russell ..... 606/119  
2,008,380 A \* 7/1935 Bachmann ..... 604/60  
3,776,240 A \* 12/1973 Woodson ..... 606/119  
5,254,115 A \* 10/1993 Bhatta et al. .... 606/167

5,464,409 A \* 11/1995 Mohajer ..... 606/119  
7,041,118 B2 \* 5/2006 Muramatsu et al. .... 606/207  
8,282,669 B2 \* 10/2012 Gerber et al. .... 606/205  
D677,386 S \* 3/2013 Bisleri et al. .... D24/148  
D691,266 S \* 10/2013 Fink et al. .... D24/146  
D691,721 S \* 10/2013 Scheibel et al. .... D24/146

\* cited by examiner

*Primary Examiner* — Wan Laymon

(74) *Attorney, Agent, or Firm* — Muncy, Geissler, Olds & Lowe, P.C.

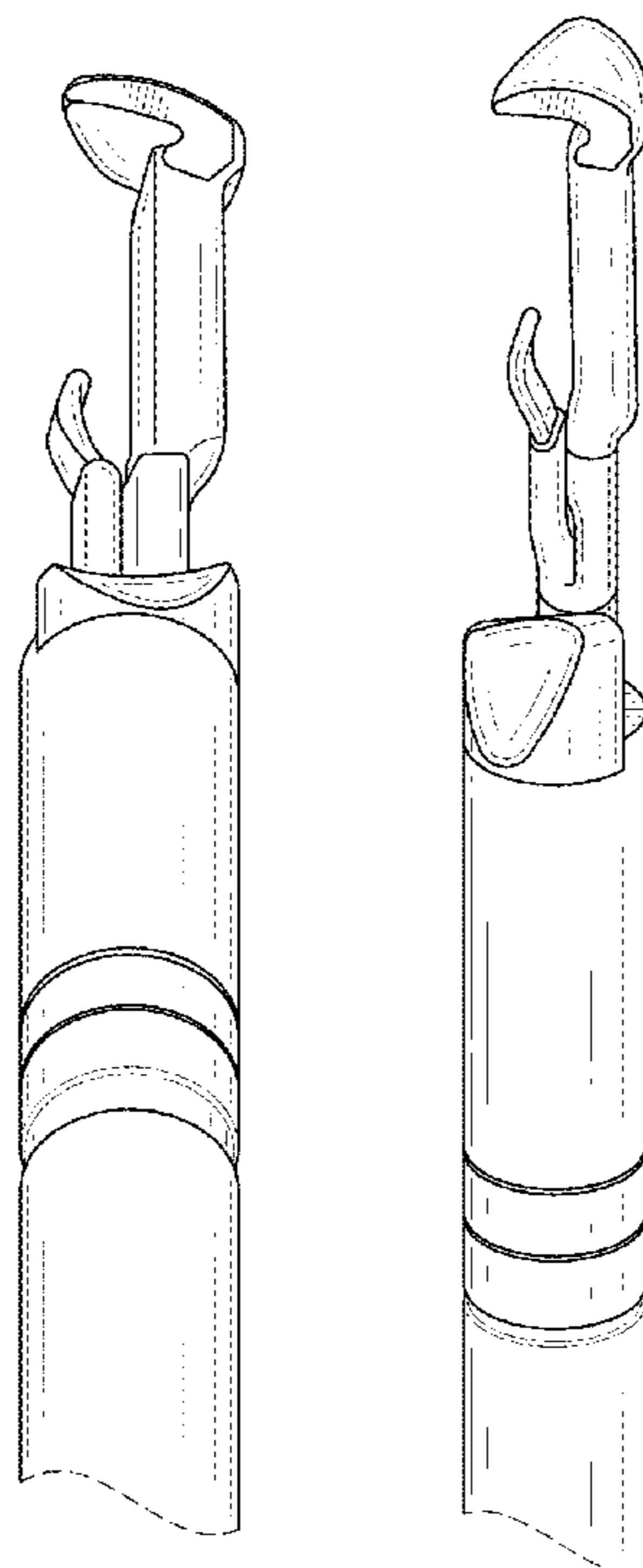
(57) **CLAIM**

The ornamental design for a medical device, as shown and described.

**DESCRIPTION**

FIG. 1 is a left side elevational view of a medical device according to a first embodiment of the present invention. FIG. 2 is a right side elevational view of the medical device of FIG. 1. FIG. 3 is a front elevational view of the medical device of FIG. 1. FIG. 4 is a rear elevational view of the medical device of FIG. 1. FIG. 5 is a top perspective view of the medical device of FIG. 1. FIG. 6 is a bottom perspective view of the medical device of FIG. 1; and, FIG. 7 is a three quarter view of the medical device of FIG. 1. The dashed lines illustrate environment that does not form a part of the present invention, and no claim is made to the material illustrated with dashed lines.

**1 Claim, 5 Drawing Sheets**



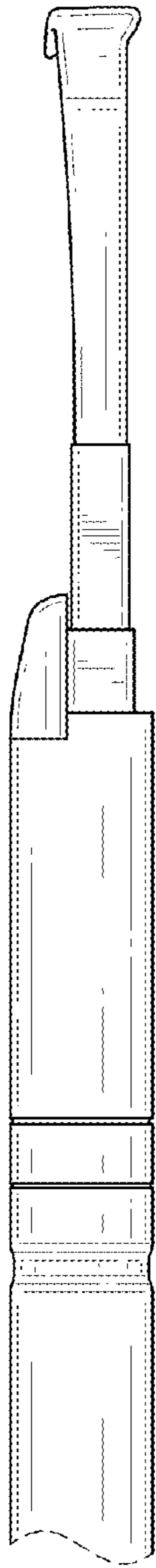


FIG.1

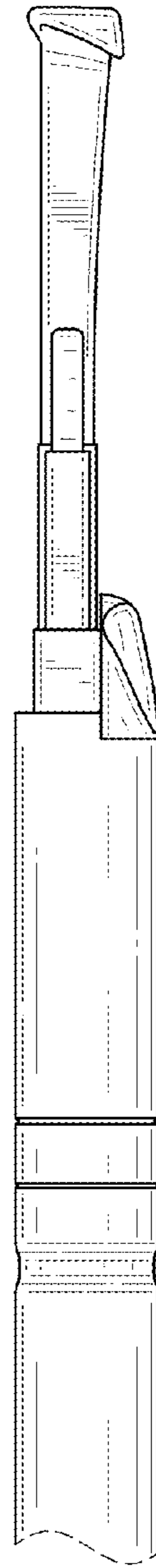


FIG.2

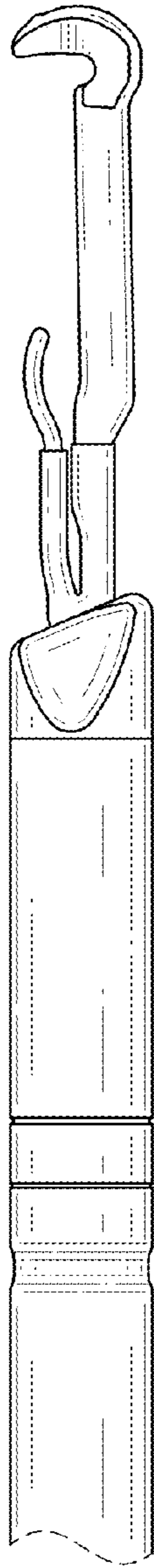


FIG. 3

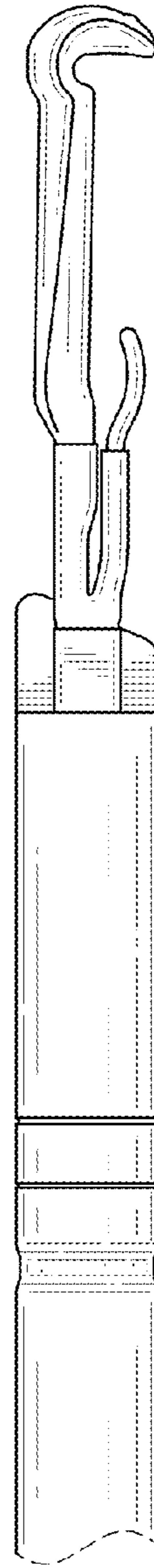


FIG. 4

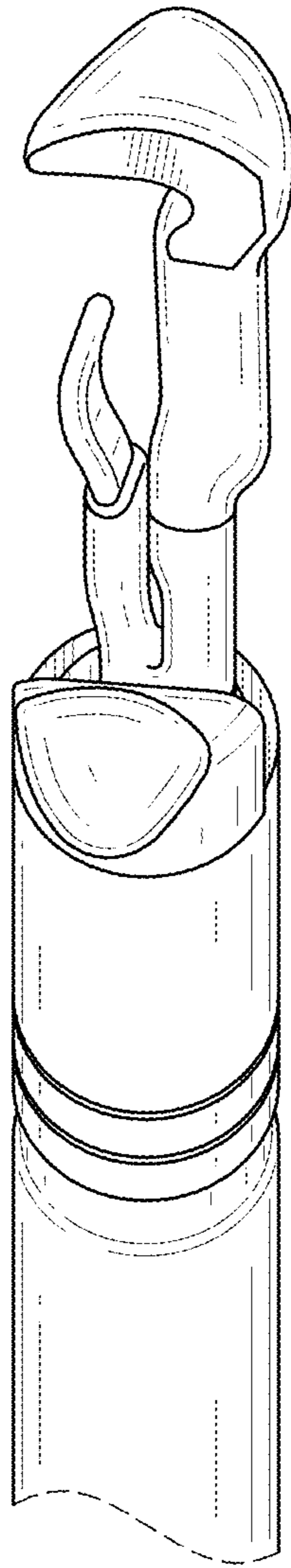


FIG.5

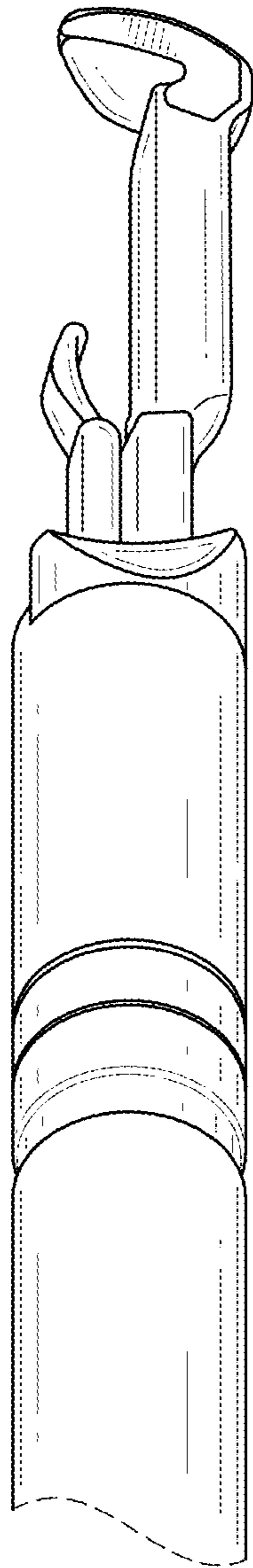


FIG.6

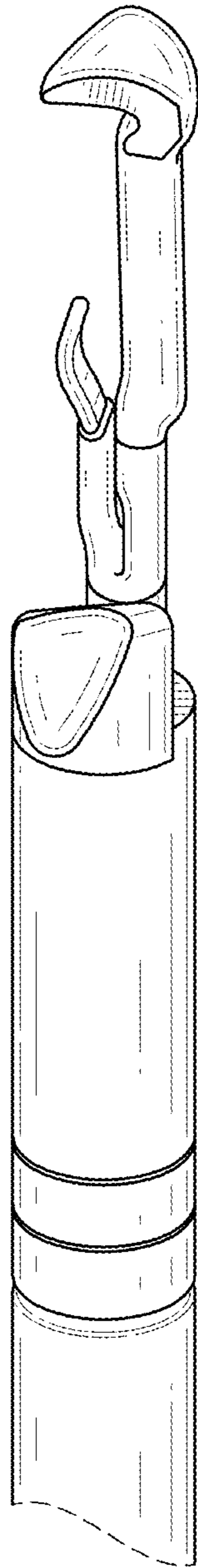


FIG.7