



US00D714935S

(12) **United States Design Patent**
Nishioka et al.

(10) **Patent No.:** **US D714,935 S**

(45) **Date of Patent:** **** Oct. 7, 2014**

(54) **ADAPTER FOR CONNECTING A NEEDLE TO A SYRINGE**

(56) **References Cited**

(71) Applicants: **Fuso Pharmaceutical Industries, Ltd.**,
Osaka (JP); **3-D Matrix, Ltd.**,
Chiyoda-ku (JP)

(72) Inventors: **Fukumitsu Nishioka**, Osaka (JP);
Shoujirou Tanioka, Osaka (JP);
Masahiro Nohara, Tokyo (JP); **Kiyoshi Takano**, Koganei (JP)

(73) Assignees: **Fuso Pharmaceutical Industries, Ltd.**,
Osaka (JP); **3-D Matrix, Ltd.**,
Chiyoda-Ku, Tokyo (JP)

(**) Term: **14 Years**

(21) Appl. No.: **29/460,266**

(22) Filed: **Jul. 9, 2013**

(30) **Foreign Application Priority Data**

Jan. 10, 2013 (JP) 2013-000293

(51) **LOC (10) Cl.** **24-02**

(52) **U.S. Cl.**
USPC **D24/130**

(58) **Field of Classification Search**
USPC D24/112-114, 129, 130, 127, 133, 186,
D24/108; 606/181, 185; 604/264, 500, 506,
604/272, 115, 164.01-164.09, 533, 232,
604/187, 168.01, 192, 19, 48, 93.01, 523,
604/524, 526; 600/101, 139, 143;
128/200.24, 207.14, 207.15

See application file for complete search history.

U.S. PATENT DOCUMENTS

4,326,519	A	*	4/1982	D'Alo et al.	D24/112
D321,251	S	*	10/1991	Jepson et al.	D24/112
5,344,411	A	*	9/1994	Domb et al.	128/207.14
D435,652	S	*	12/2000	Nazarifar et al.	D24/129
D472,316	S	*	3/2003	Douglas et al.	D24/129
D517,209	S	*	3/2006	Burton et al.	D24/129
D579,542	S	*	10/2008	Ranalletta et al.	D24/108
D616,090	S	*	5/2010	Kawamura	D24/127
D623,291	S	*	9/2010	Strong et al.	D24/130
D674,088	S	*	1/2013	Lev et al.	D24/129
D675,729	S	*	2/2013	Wang	D24/108
D675,732	S	*	2/2013	Baid	D24/129
D691,261	S	*	10/2013	Kawamura	D24/130

* cited by examiner

Primary Examiner — David Muller

(74) *Attorney, Agent, or Firm* — Buchanan Ingersoll & Rooney PC

(57) **CLAIM**

The ornamental design for an adapter for connecting a needle to a syringe, as shown and described.

DESCRIPTION

FIG. 1 is a perspective view of an adapter for connecting a needle to a syringe showing our new design;
FIG. 2 is a front elevational view thereof;
FIG. 3 is a rear elevational view thereof;
FIG. 4 is a left side view thereof;
FIG. 5 is a right side view thereof;
FIG. 6 is a top plan view thereof; and,
FIG. 7 is a bottom plan view thereof.

1 Claim, 2 Drawing Sheets

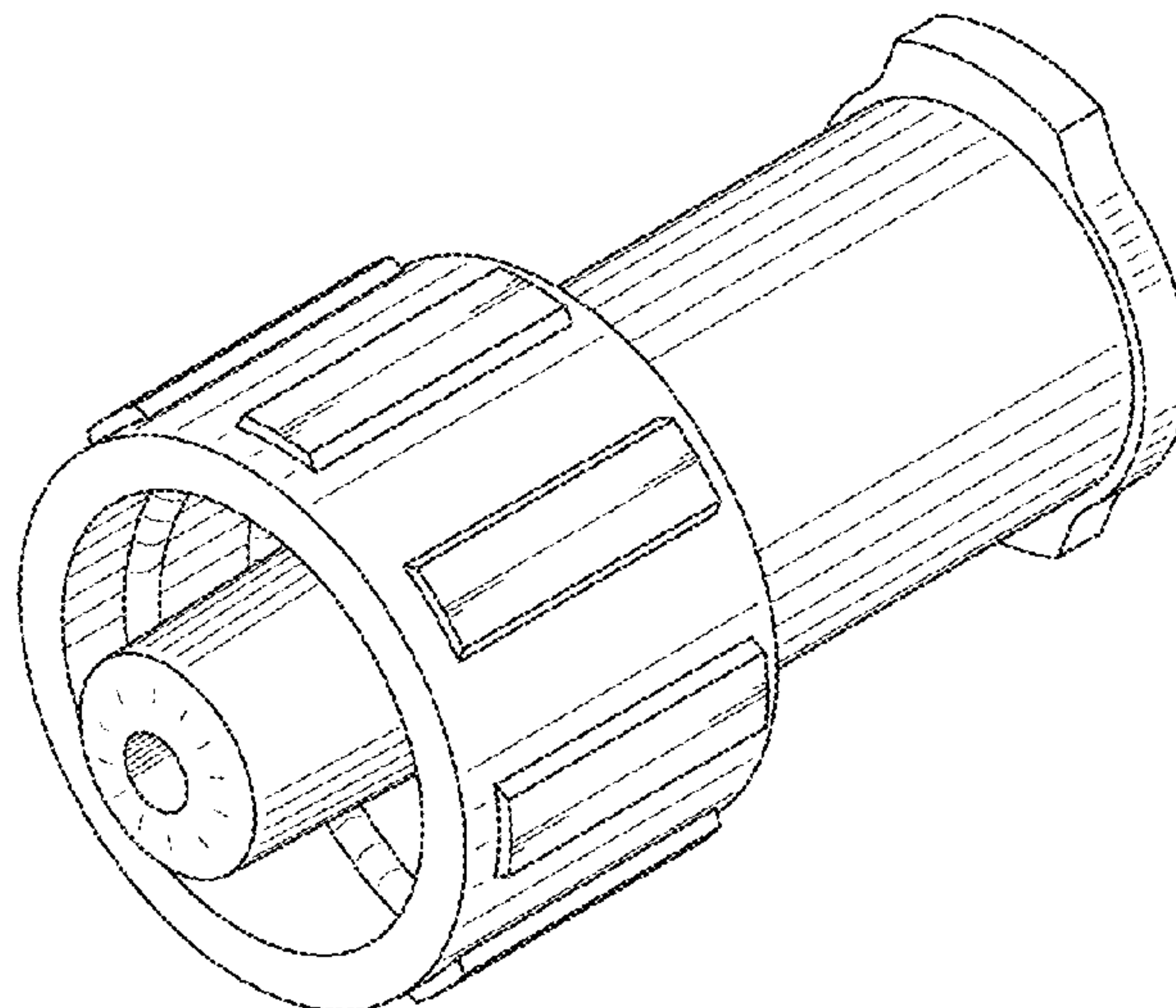


Fig. 1

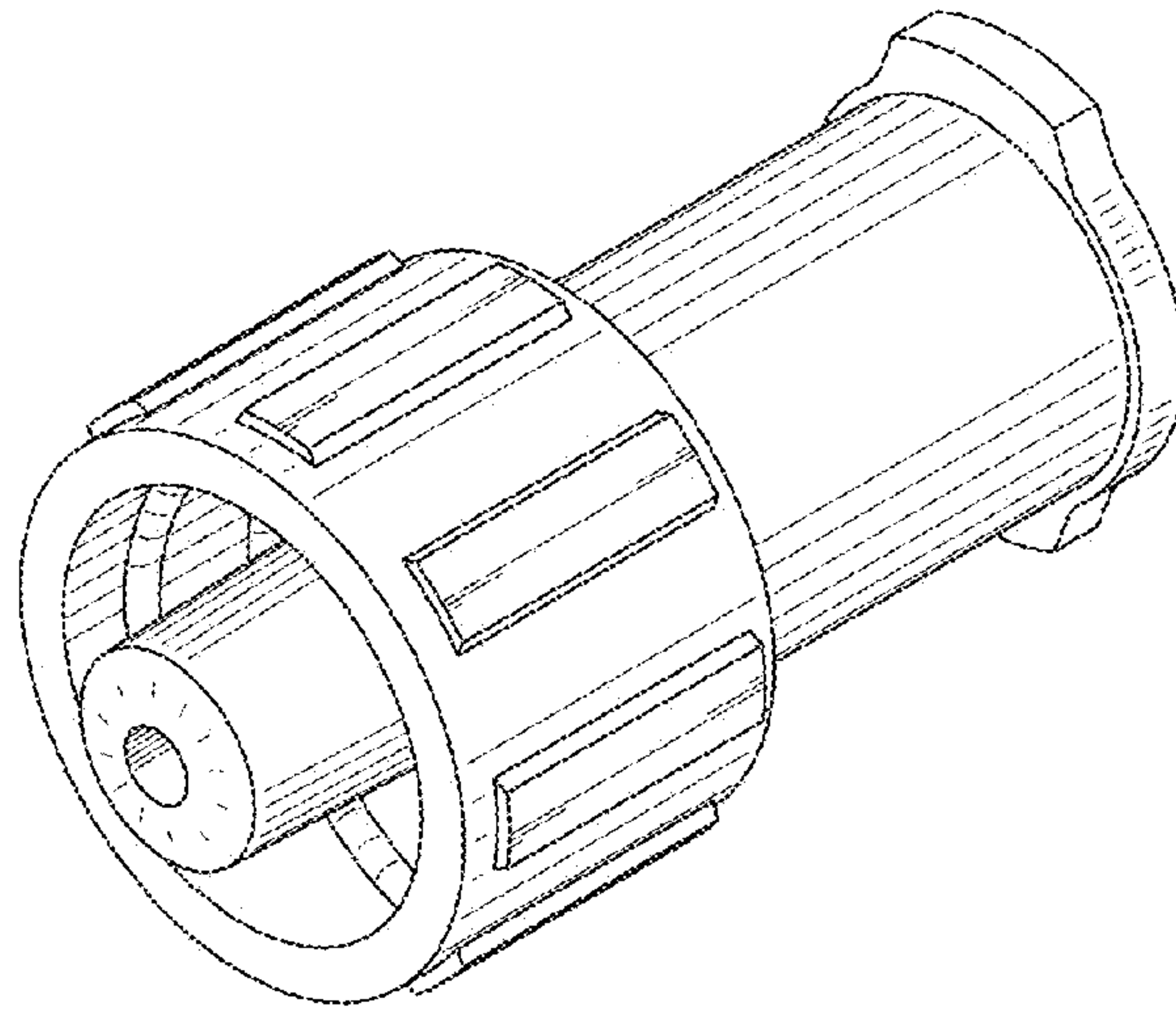


Fig. 2

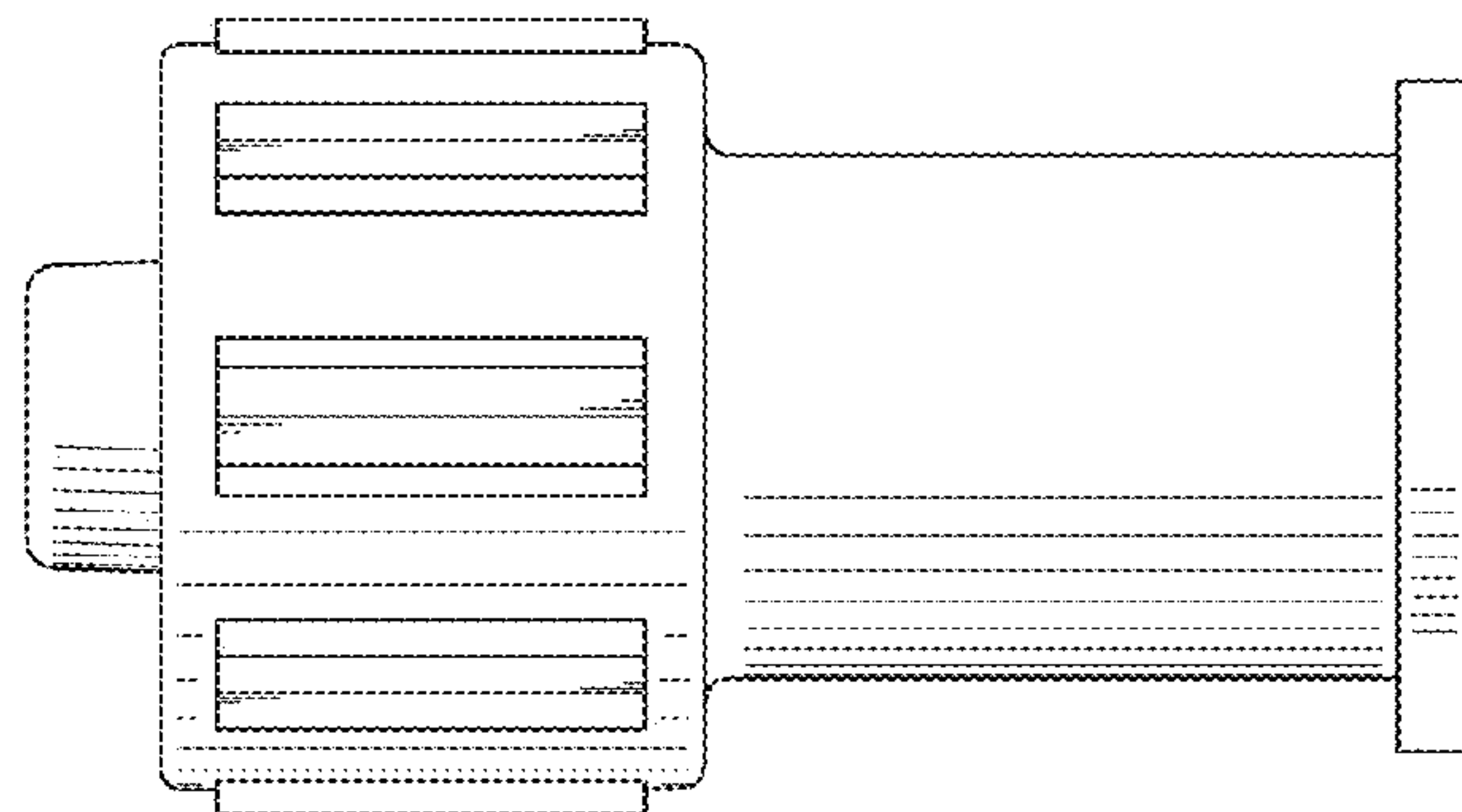


Fig. 3

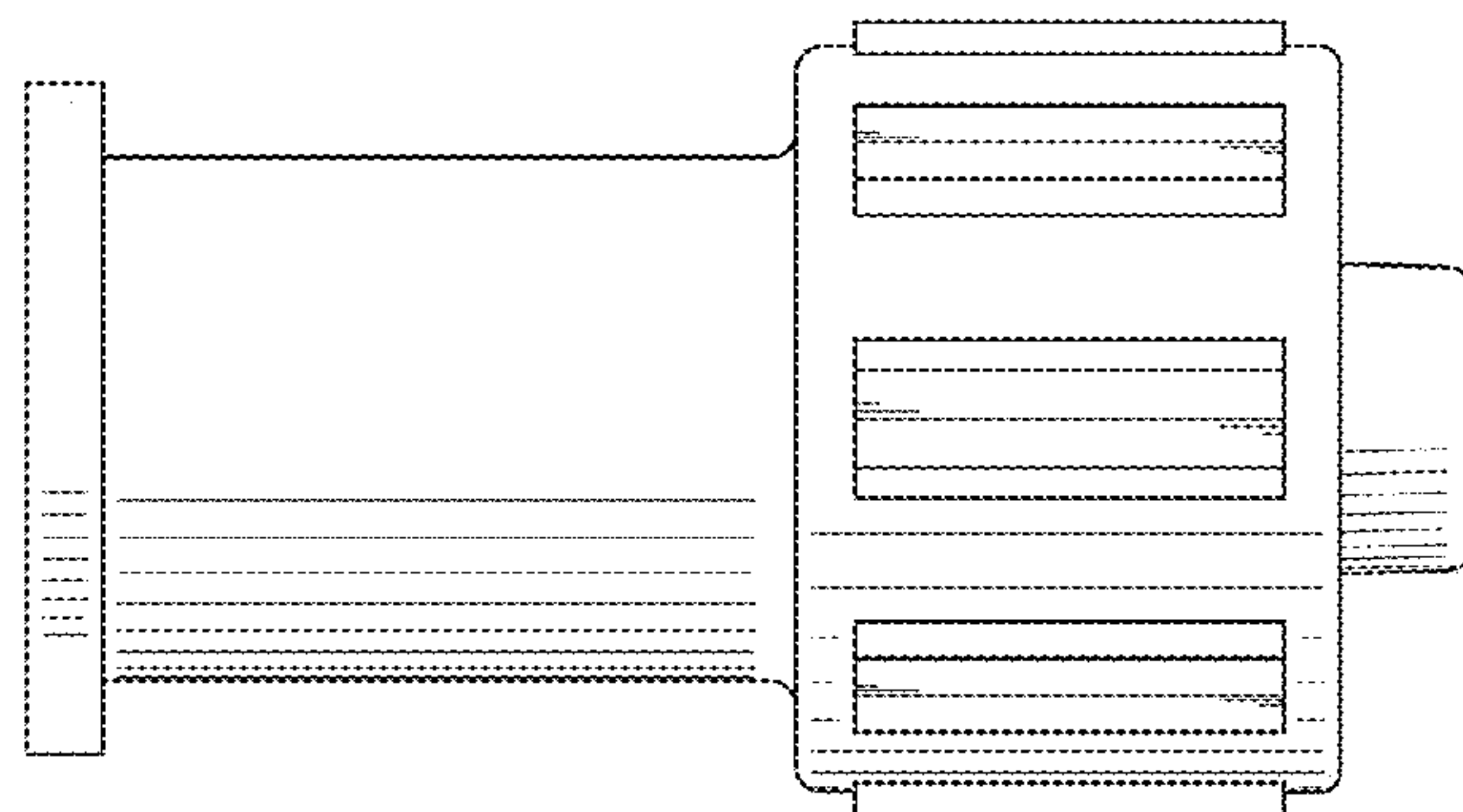


Fig. 4

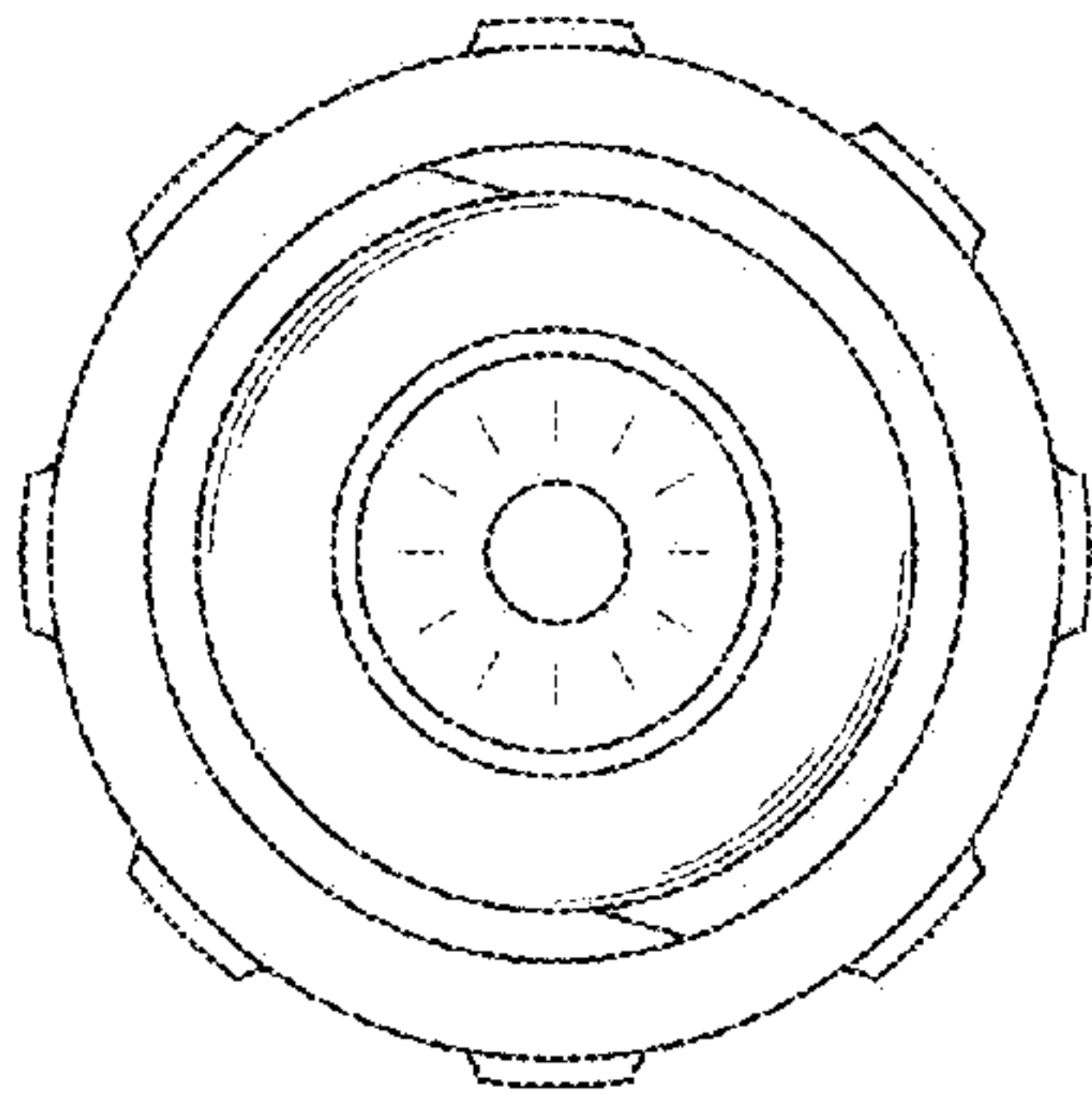


Fig. 5

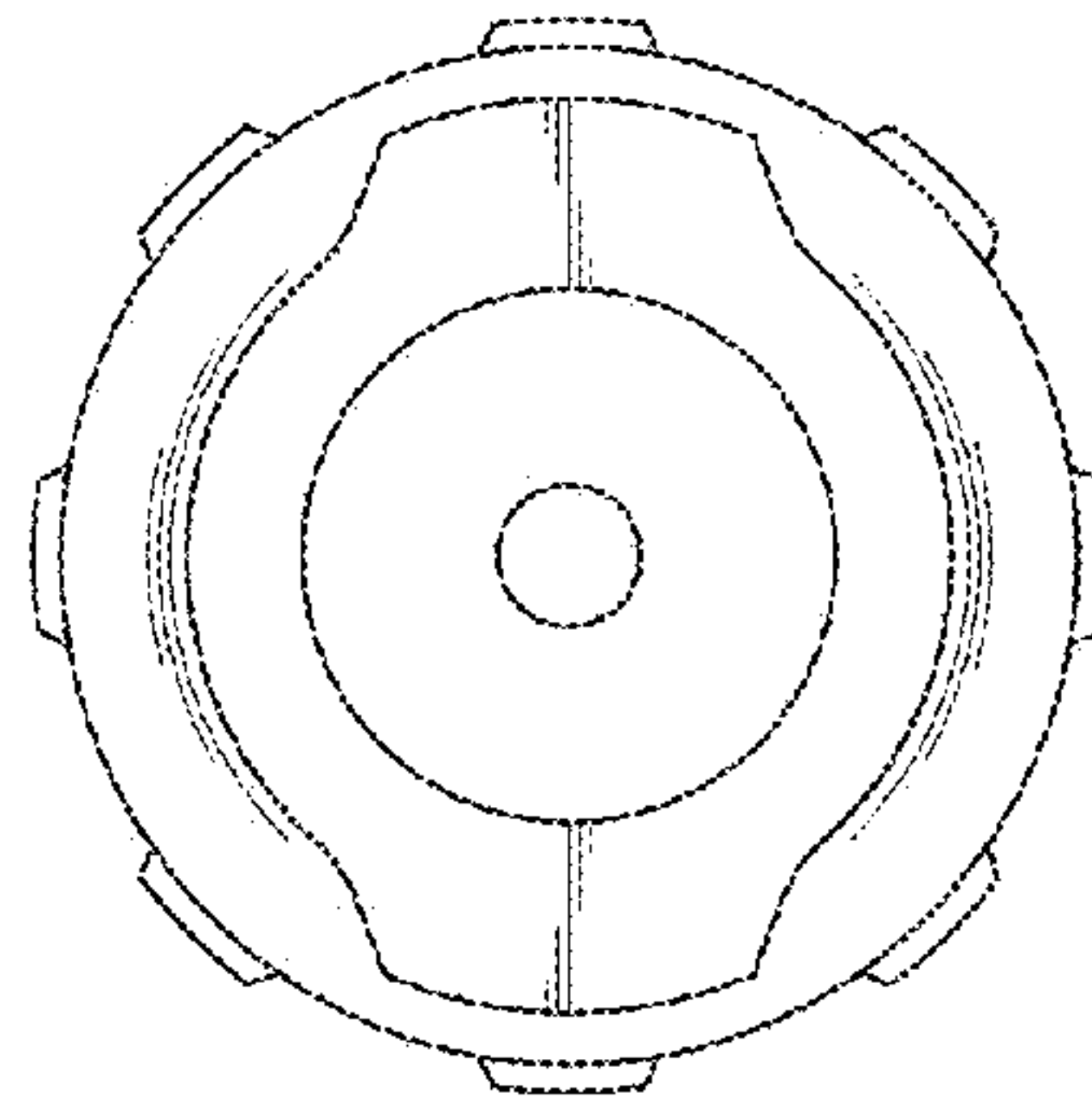


Fig. 6

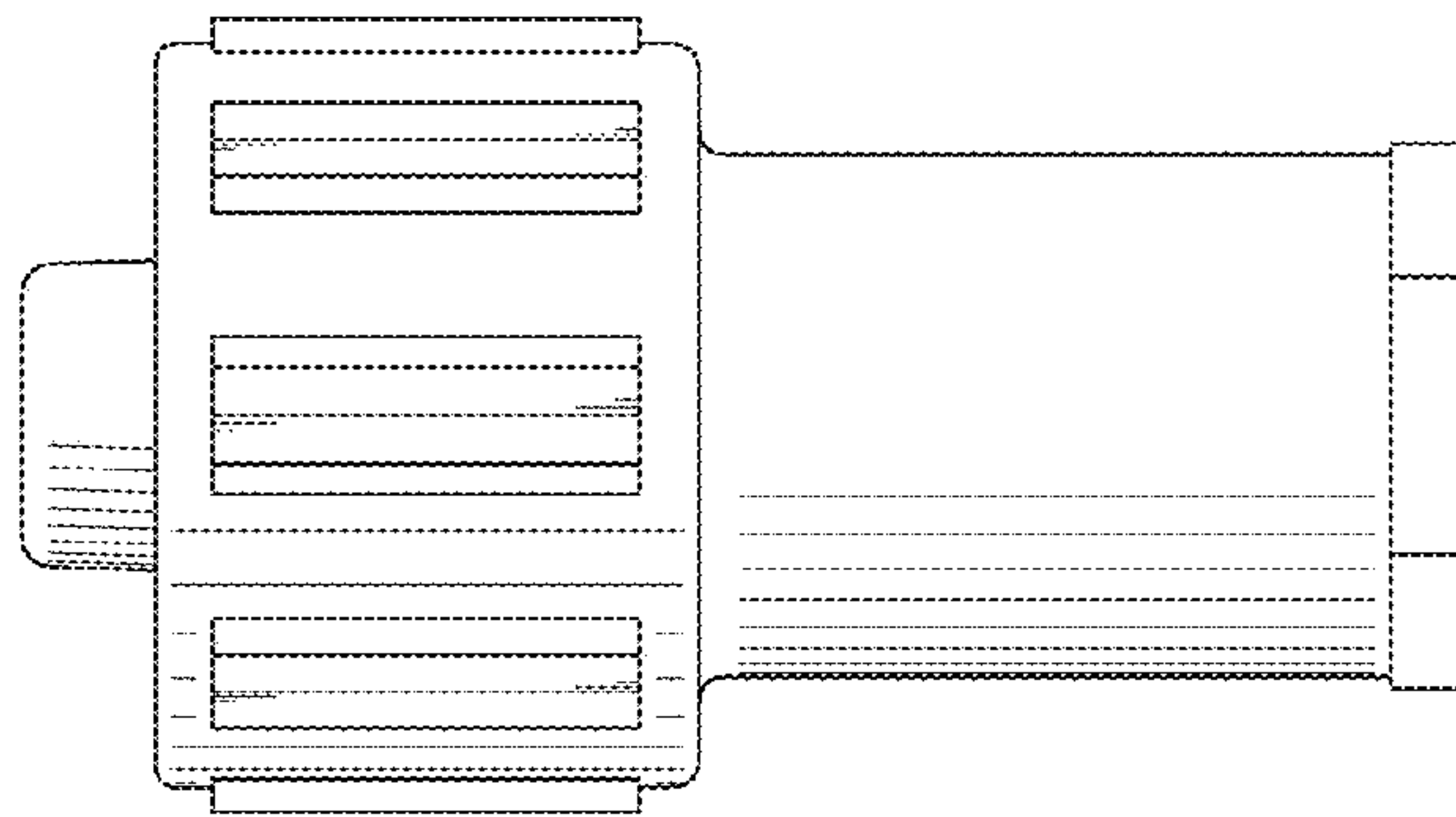


Fig. 7

