



US00D714933S

(12) **United States Design Patent**
Kawamura

(10) **Patent No.:** **US D714,933 S**
(45) **Date of Patent:** **** Oct. 7, 2014**

(54) **PLUNGER ROD**

(71) Applicant: **Daikyo Seiko, Ltd.**, Tokyo (JP)

(72) Inventor: **Hideaki Kawamura**, Tokyo (JP)

(73) Assignee: **Daikyo Seiko, Ltd.**, Sumida-ku, Tokyo (JP)

(**) Term: **14 Years**

(21) Appl. No.: **29/458,397**

(22) Filed: **Jun. 19, 2013**

(30) **Foreign Application Priority Data**

Dec. 19, 2012 (JP) 2012-030899

(51) **LOC (10) Cl.** **24-02**

(52) **U.S. Cl.**
USPC **D24/130**

(58) **Field of Classification Search**

USPC D27/112-114, 129, 130, 127, 133, 186,
D27/108; 606/181, 185; 604/264, 500, 506,
604/272, 115, 164.01-164.09, 533, 232,
604/187, 168.01, 192, 19, 48, 93.01, 523,
604/524, 526; 600/101, 139, 143;
128/200.24, 207.14, 207.15

See application file for complete search history.

(56) **References Cited**

U.S. PATENT DOCUMENTS

4,592,356 A * 6/1986 Gutierrez 606/185
D307,634 S * 5/1990 Cook D24/130
5,522,832 A * 6/1996 Kugo et al. 606/185
D387,162 S * 12/1997 Zeimer et al. D24/150
D517,694 S * 3/2006 Wilshire et al. D24/146
7,135,015 B2 * 11/2006 Dulak et al. 604/523
D581,529 S * 11/2008 Moehle et al. D24/130
D590,945 S * 4/2009 Berberich D24/146

D594,119 S * 6/2009 Berberich et al. D24/133
8,092,424 B2 * 1/2012 Mueller et al. 604/110
D690,807 S * 10/2013 Ivosevic D24/130
D700,318 S * 2/2014 Amoah et al. D24/112
D700,322 S * 2/2014 Kleiner D24/133

FOREIGN PATENT DOCUMENTS

JP 1459400 S 1/2013
JP 1459401 S 1/2013

* cited by examiner

Primary Examiner — David Muller

(74) *Attorney, Agent, or Firm* — Taft Stettinius & Hollister LLP

(57) **CLAIM**

The ornamental design for a plunger rod, as shown and described.

DESCRIPTION

FIG. 1 is a front elevational view of a plunger rod showing my new design, the rear elevational view being identical thereto; FIG. 2 is a top plan view thereof, the bottom plan view being identical thereto; FIG. 3 is a right side elevational view thereof; FIG. 4 is a left side elevational view thereof; FIG. 5 is an enlarged view of the portion defined by lines 5-5 of FIG. 1; FIG. 6 is a sectional view taken along line 6-6 of FIG. 3; FIG. 7 is an enlarged sectional view of the portion defined by lines 7-7 of FIG. 6; FIG. 8 is a perspective view thereof; FIG. 9 is a perspective view thereof in a state of use; and, FIG. 10 is a perspective view thereof in another state of use. The broken lines are for the purpose of illustrating environmental structure only and form no part of the claimed design.

1 Claim, 10 Drawing Sheets

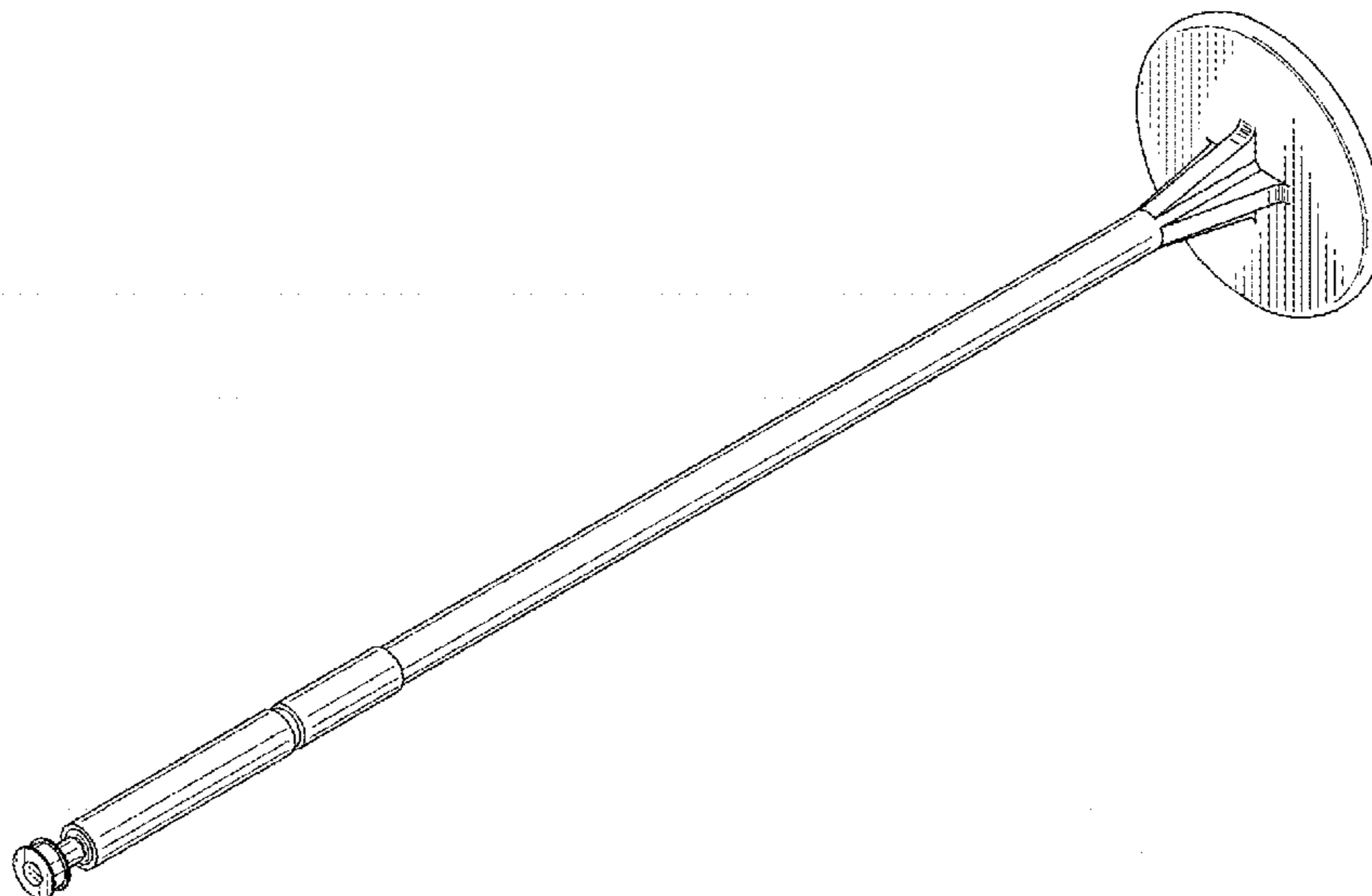


FIG. 1

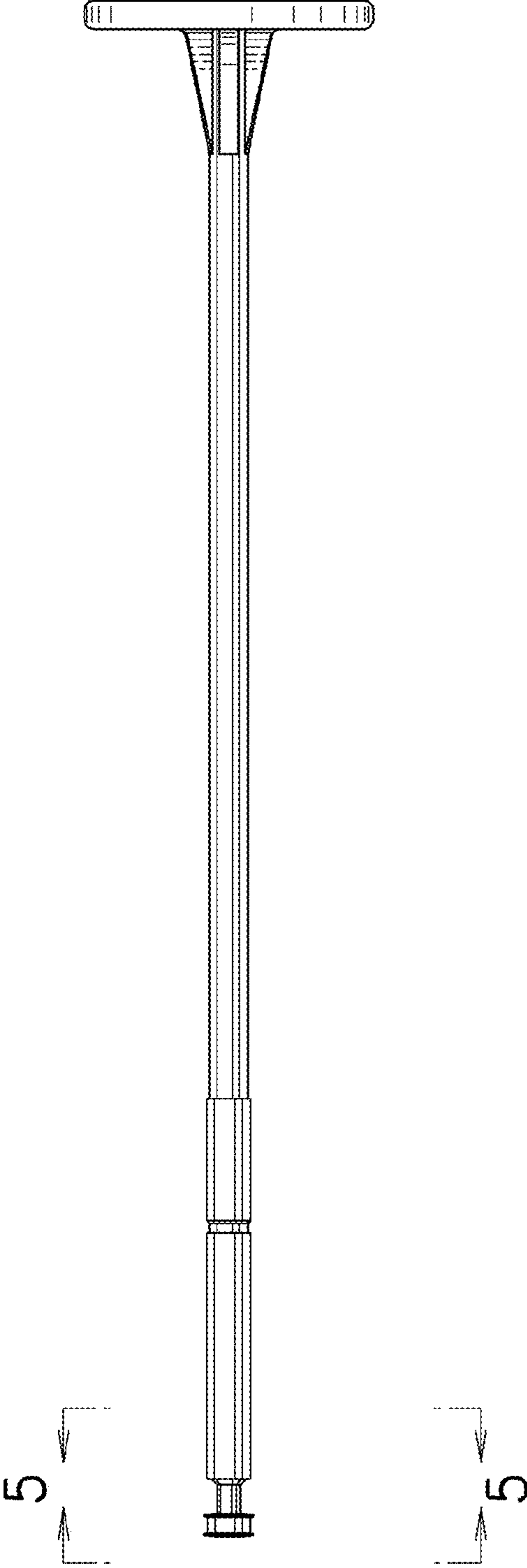


FIG. 2

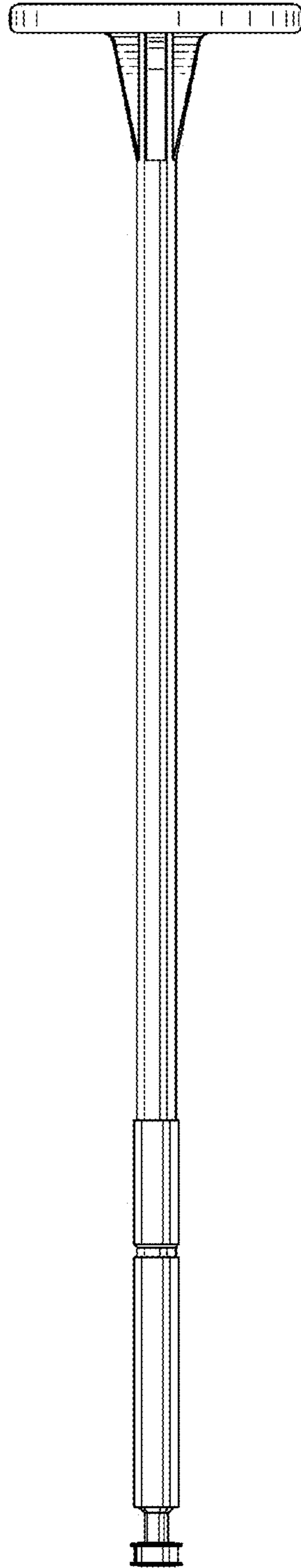


FIG. 3

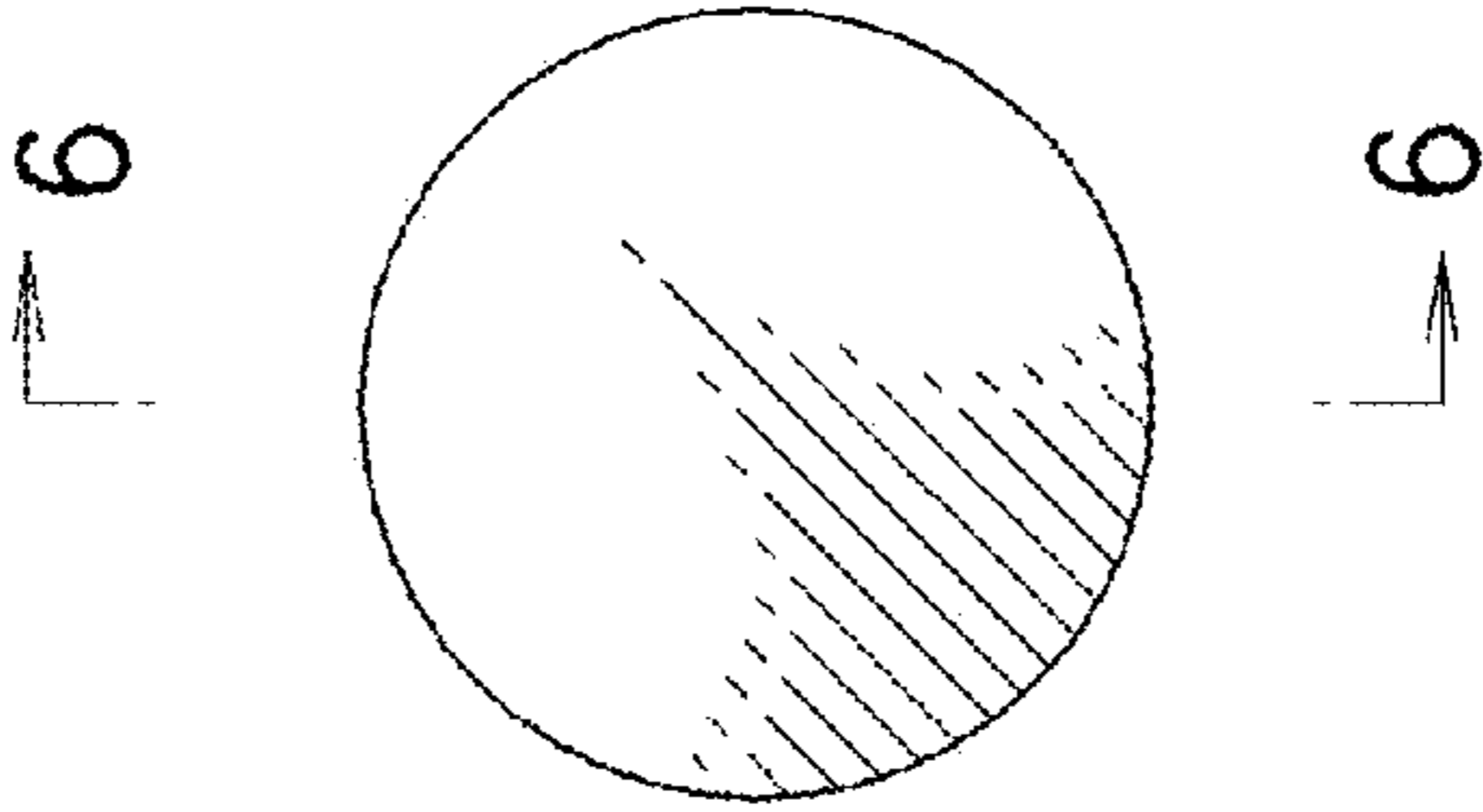
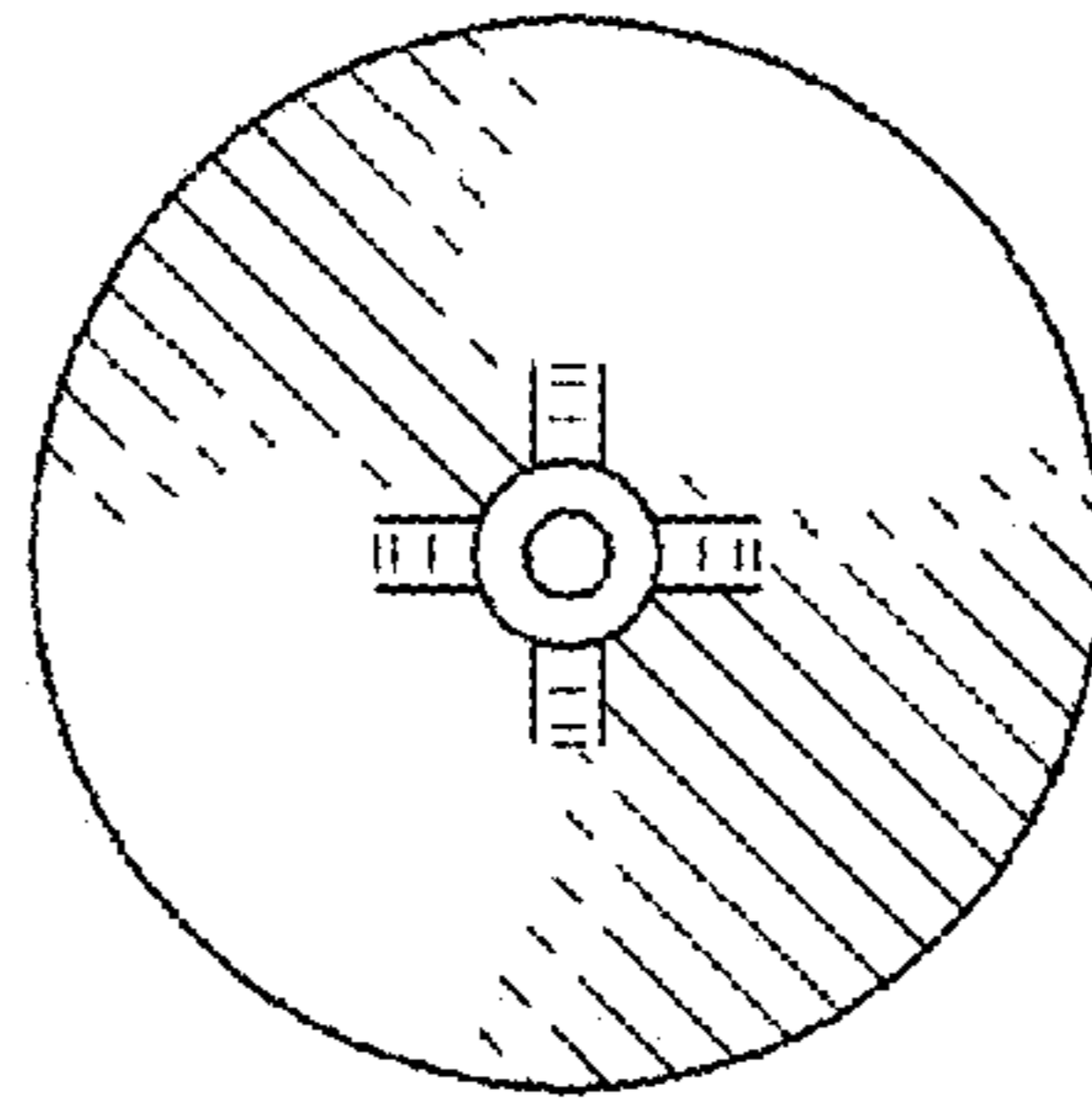


FIG. 4



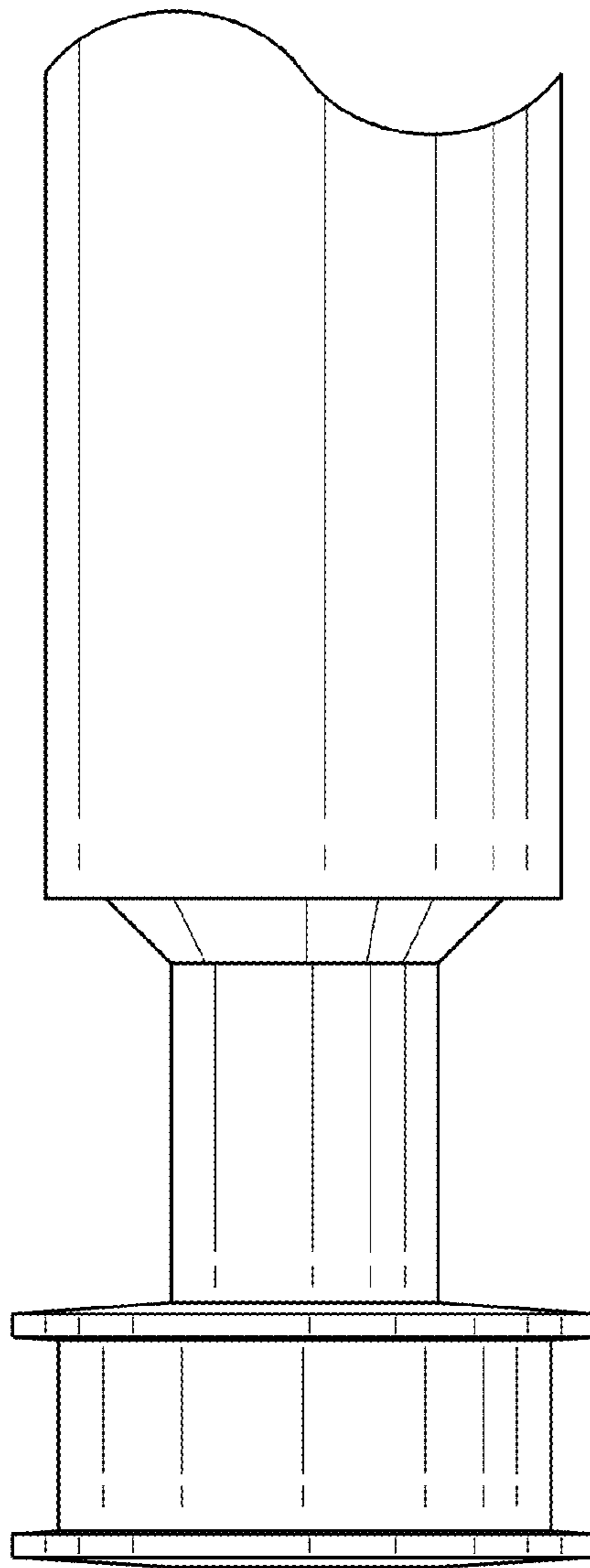
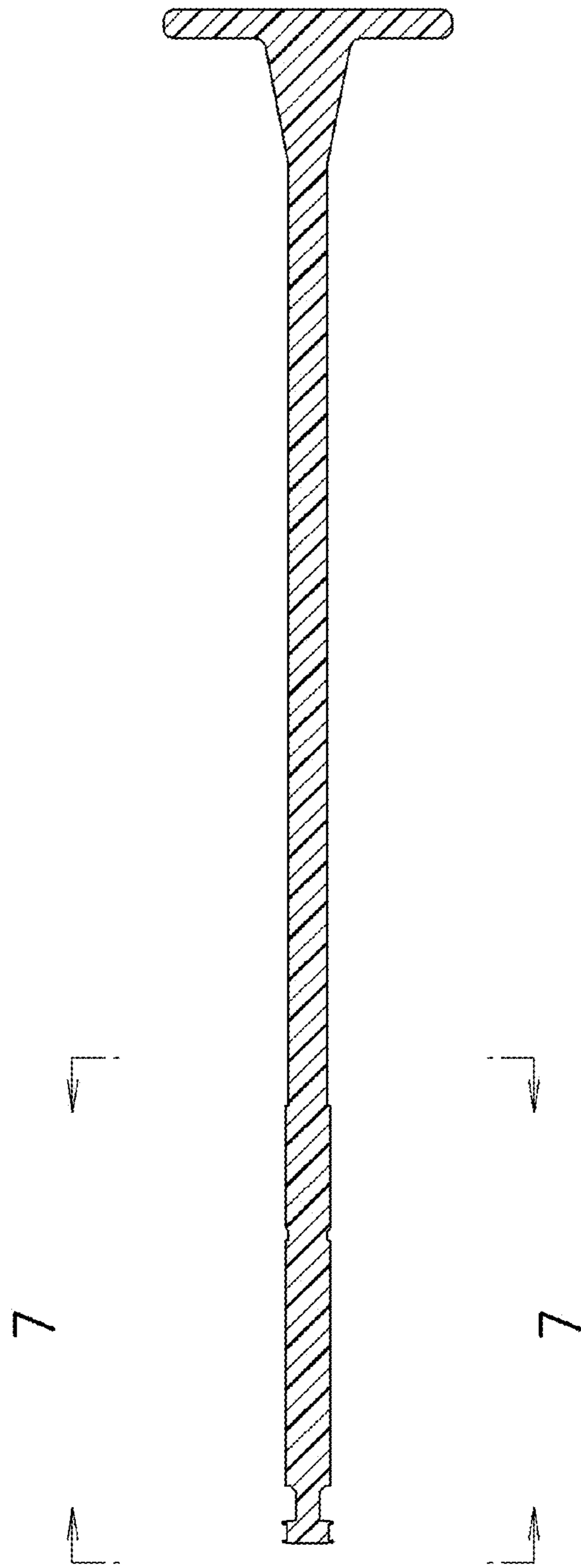


FIG. 5

FIG. 6



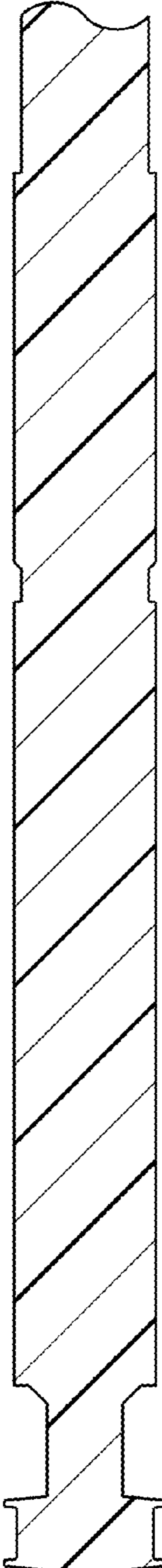


FIG. 7

FIG. 8

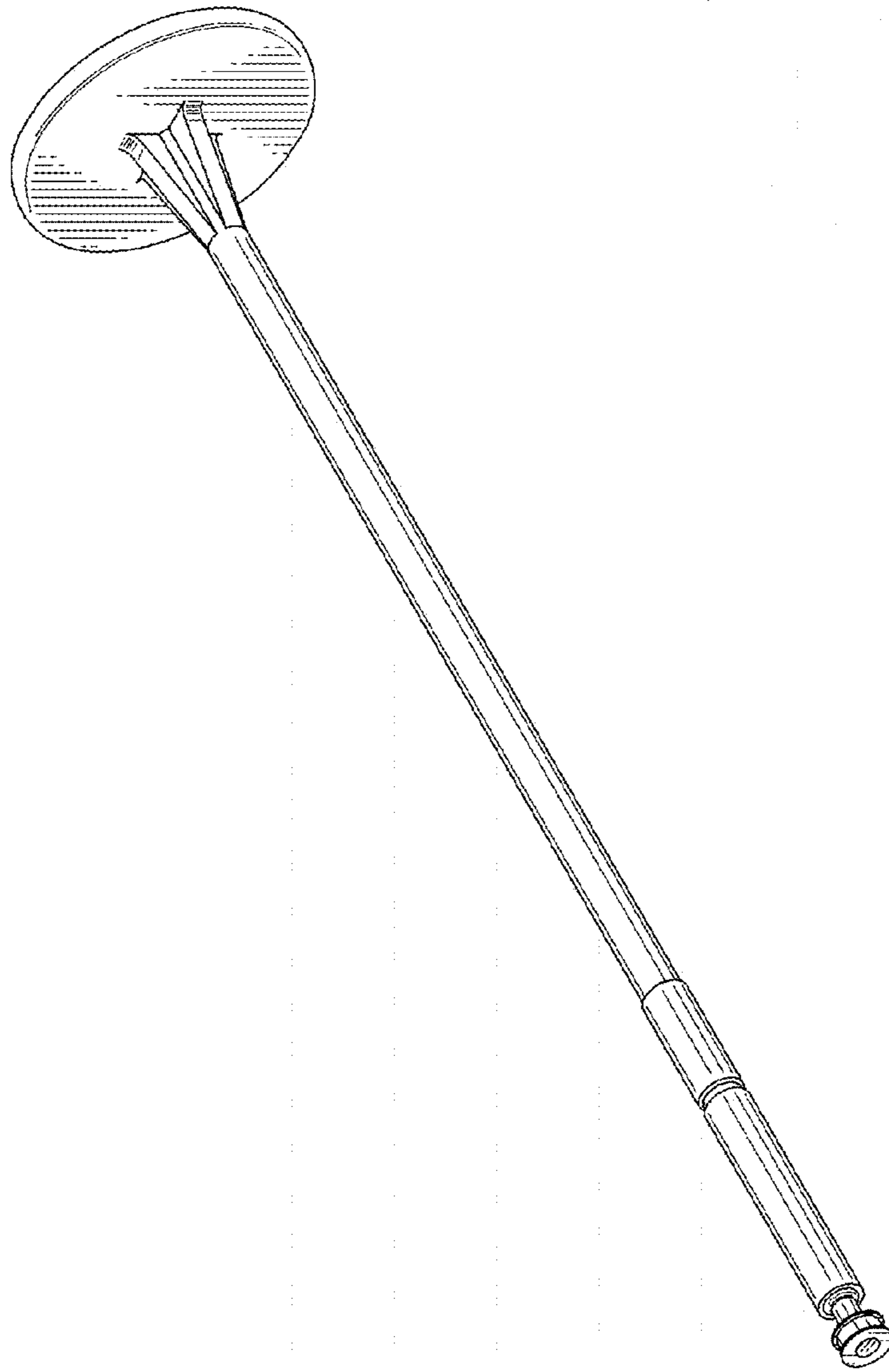


FIG. 9

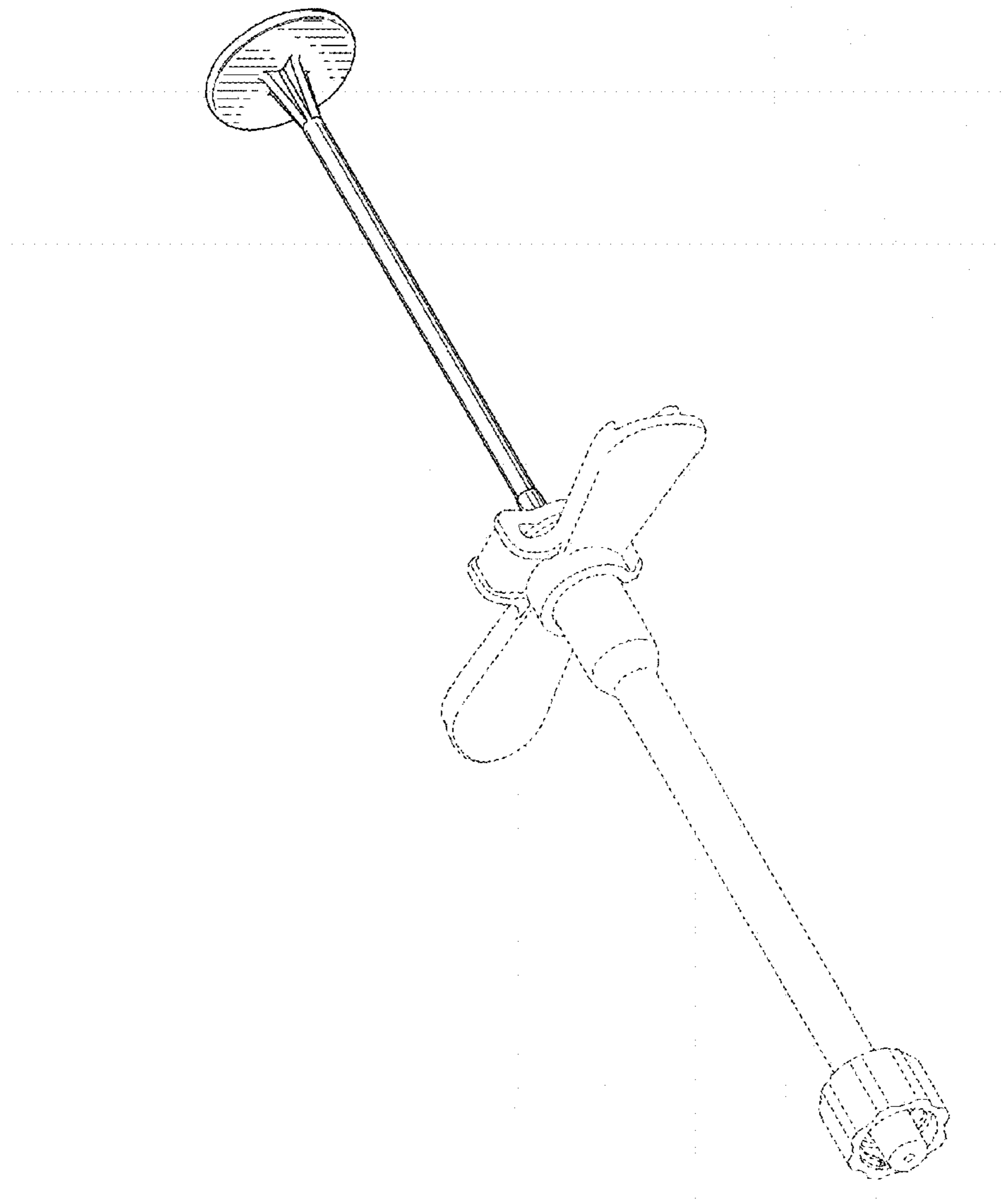


FIG. 10

