



US00D714932S

(12) **United States Design Patent**
Hall et al.

(10) **Patent No.:** **US D714,932 S**
(45) **Date of Patent:** **** Oct. 7, 2014**

(54) **AUTOMATIC INJECTION DEVICE**

(75) Inventors: **Ryan Hall**, Clinton, MA (US); **Sean Phillips**, Lancaster, MA (US); **Charles Sears**, Boxford, MA (US); **Bonnie Jean Smelser**, Somers, NY (US)

(73) Assignees: **Radius Product Development, Inc.**, Clinton, MA (US); **Progenics Pharmaceuticals, Inc.**, Tarrytown, NY (US)

(**) Term: **14 Years**

(21) Appl. No.: **29/422,349**

(22) Filed: **May 18, 2012**

(51) **LOC (10) Cl.** **24-02**

(52) **U.S. Cl.**
USPC **D24/112**

(58) **Field of Classification Search**
CPC A61M 5/20; A61M 5/24; A61M 5/2033;
A61M 2005/2073
USPC D24/107, 108, 112, 113; 604/19, 48,
604/93.01, 181, 187, 192, 194, 197, 198
See application file for complete search history.

(56) **References Cited**

U.S. PATENT DOCUMENTS

5,665,071	A *	9/1997	Wyrick	604/134
D623,732	S *	9/2010	Brady et al.	D24/113
D651,305	S *	12/2011	Hawley et al.	D24/113
D652,136	S *	1/2012	Hawley et al.	D24/113
D676,957	S *	2/2013	Schneider et al.	D24/113
8,409,149	B2 *	4/2013	Hommann et al.	604/198
D696,771	S *	12/2013	Schneider et al.	D24/113
D696,773	S *	12/2013	Schneider et al.	D24/113
D703,314	S *	4/2014	Schneider et al.	D24/113

(Continued)

FOREIGN PATENT DOCUMENTS

WO 2013/007393 A1 1/2013

Primary Examiner — Deanna L Pratt

Assistant Examiner — Ieisha Price

(74) *Attorney, Agent, or Firm* — McCarter & English, LLP

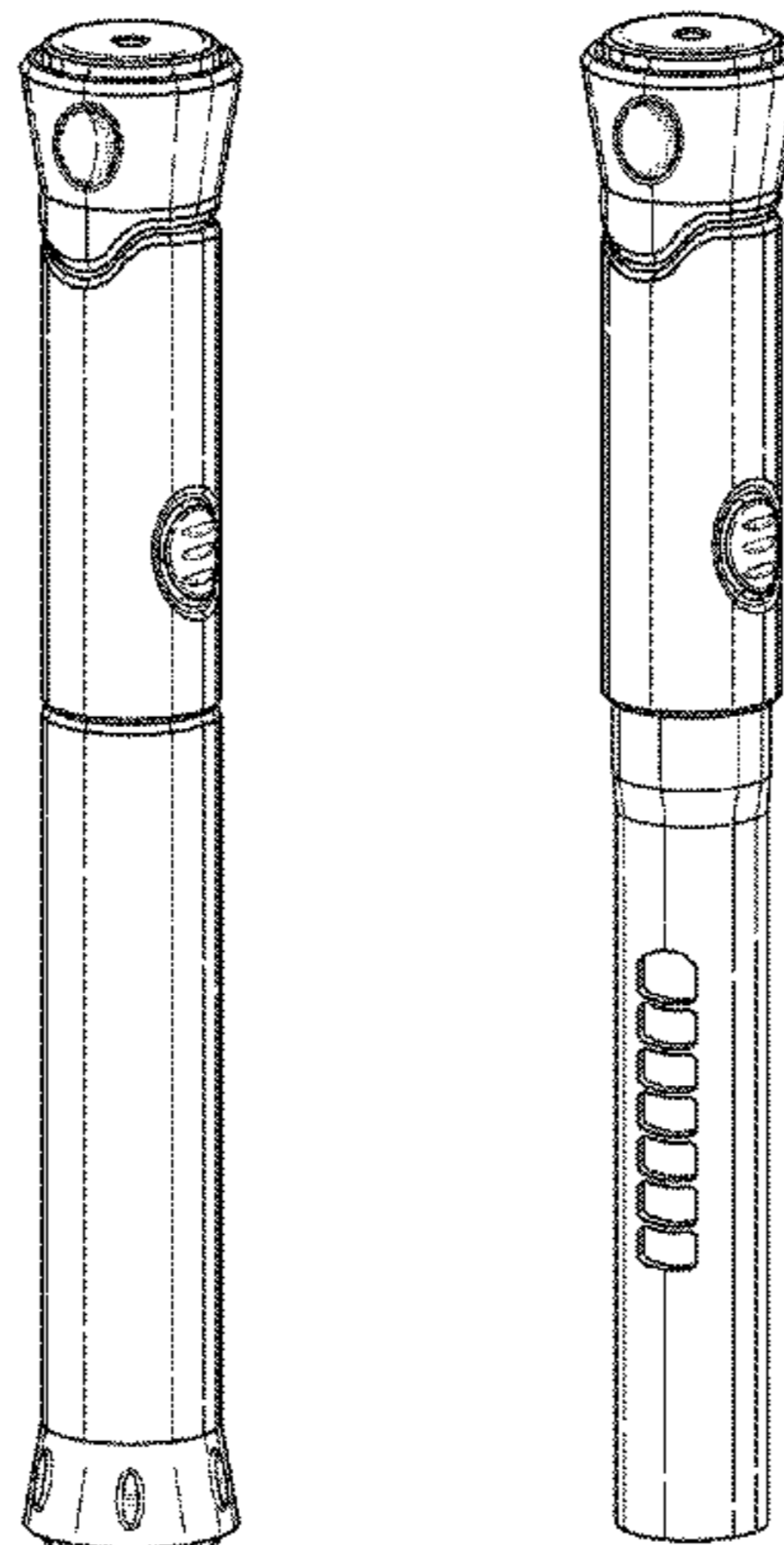
(57) **CLAIM**

The ornamental design for an automatic injection device, as shown and described.

DESCRIPTION

FIG. 1 is a front perspective view of an automatic injection device with a removable cap on showing the design;
 FIG. 2 is a front elevational view of an automatic injection device with a removable cap on;
 FIG. 3 is a rear elevational view of an automatic injection device with a removable cap on;
 FIG. 4 is a right side elevational view of an automatic injection device with a removable cap on;
 FIG. 5 is a left side elevational view of an automatic injection device with a removable cap on;
 FIG. 6 is a top plan view of an automatic injection device with a removable cap on;
 FIG. 7 is a bottom plan view of an automatic injection device with a removable cap on;
 FIG. 8 is a front perspective view of an automatic injection device with a removable cap off showing the design;
 FIG. 9 is a front elevational view of an automatic injection device with a removable cap off;
 FIG. 10 is a rear elevational view of an automatic injection device with a removable cap off;
 FIG. 11 is a right side elevational view of an automatic injection device with a removable cap off;
 FIG. 12 is a left side elevational view of an automatic injection device with a removable cap off;
 FIG. 13 is a top plan view of an automatic injection device with a removable cap off; and,
 FIG. 14 is a bottom plan view of an automatic injection device with a removable cap off.

1 Claim, 6 Drawing Sheets



US D714,932 S

Page 2

(56)

References Cited

U.S. PATENT DOCUMENTS

2009/0124981	A1 *	5/2009	Evans	604/197			
2010/0152659	A1 *	6/2010	Streit et al.	604/136			
2011/0034878	A1 *	2/2011	Radmer et al.	604/192			
2012/0184917	A1 *	7/2012	Bom et al.	604/187			
2013/0046249	A1 *	2/2013	Cowe	604/211			
2013/0218094	A1 *	8/2013	Hommann et al.	604/198			

* cited by examiner

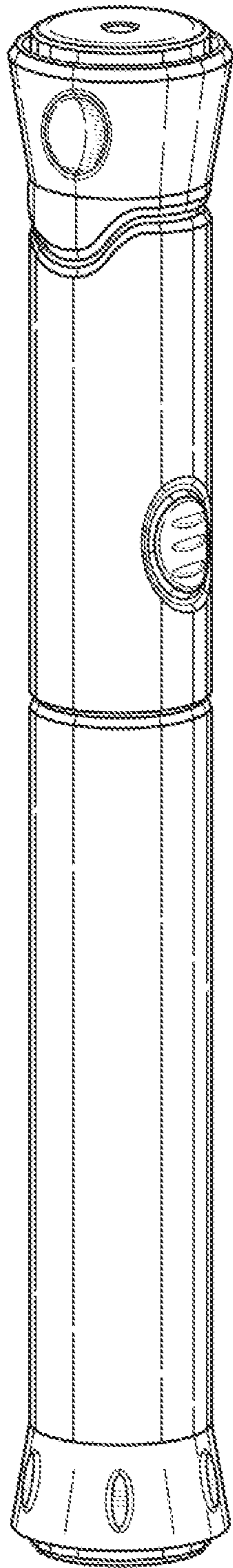


FIG. 1

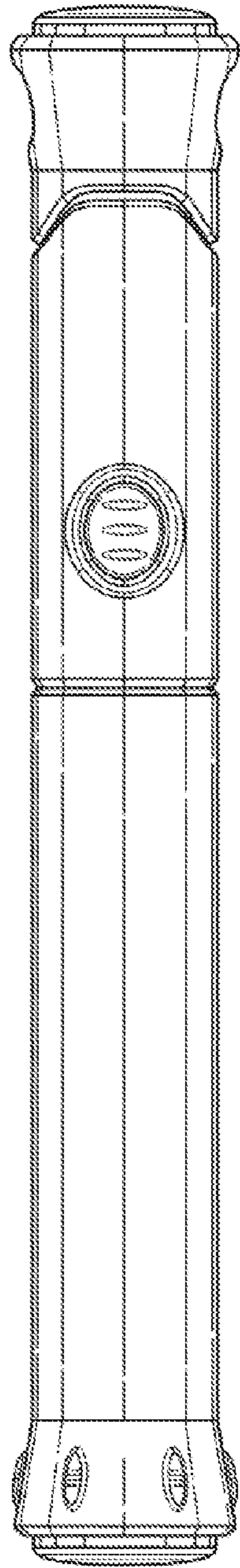


FIG. 2

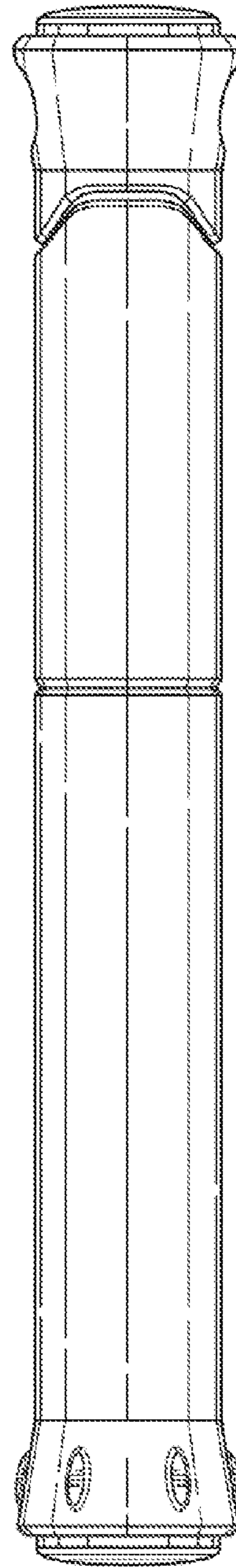


FIG. 3

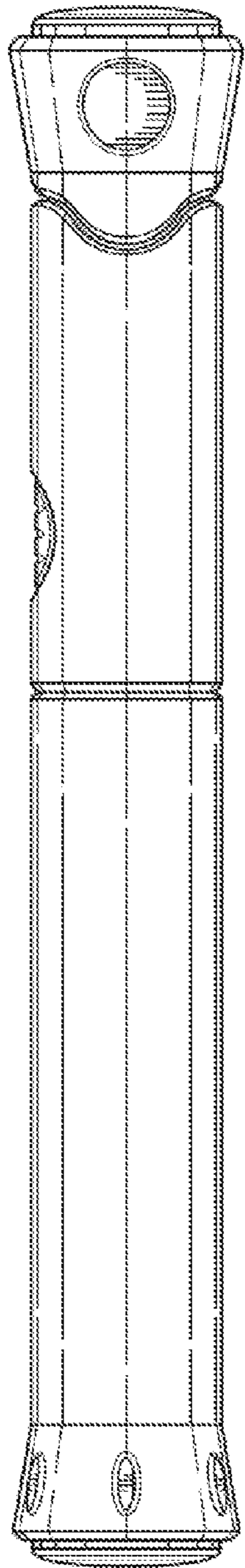


FIG. 4

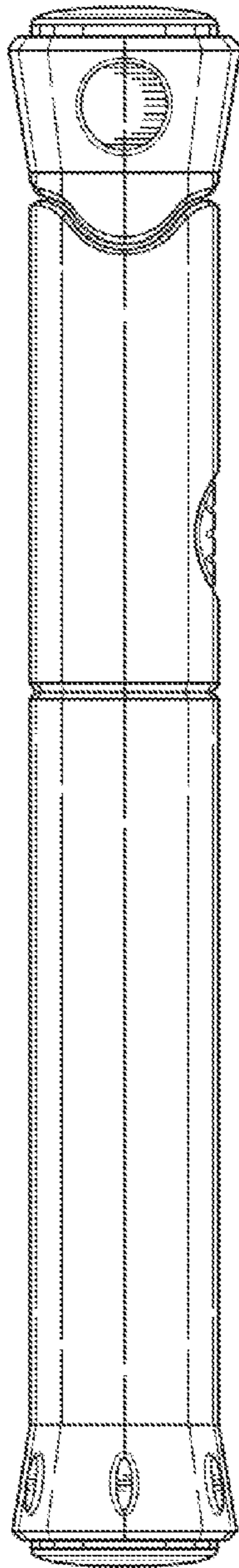


FIG. 5

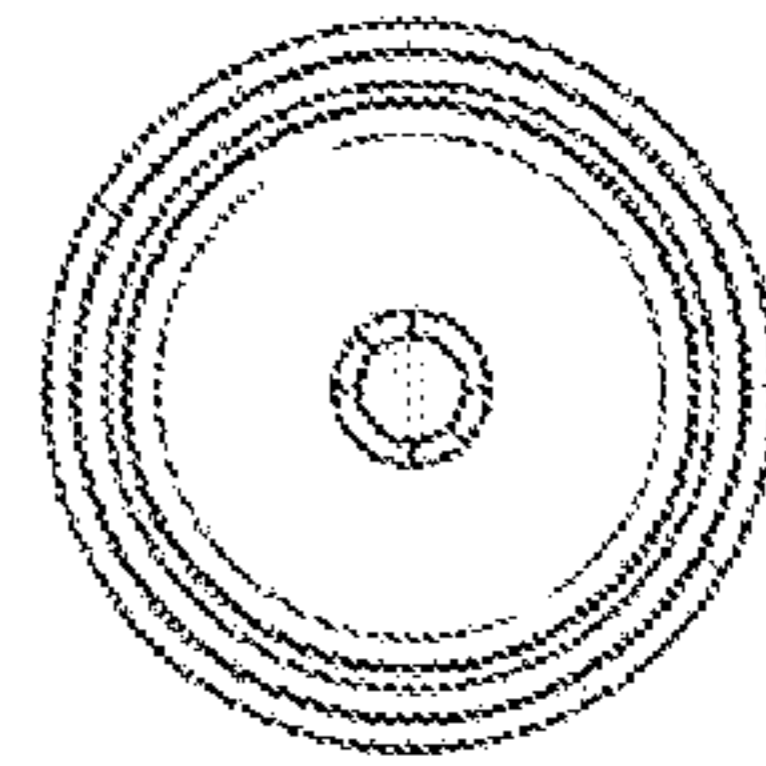


FIG. 6

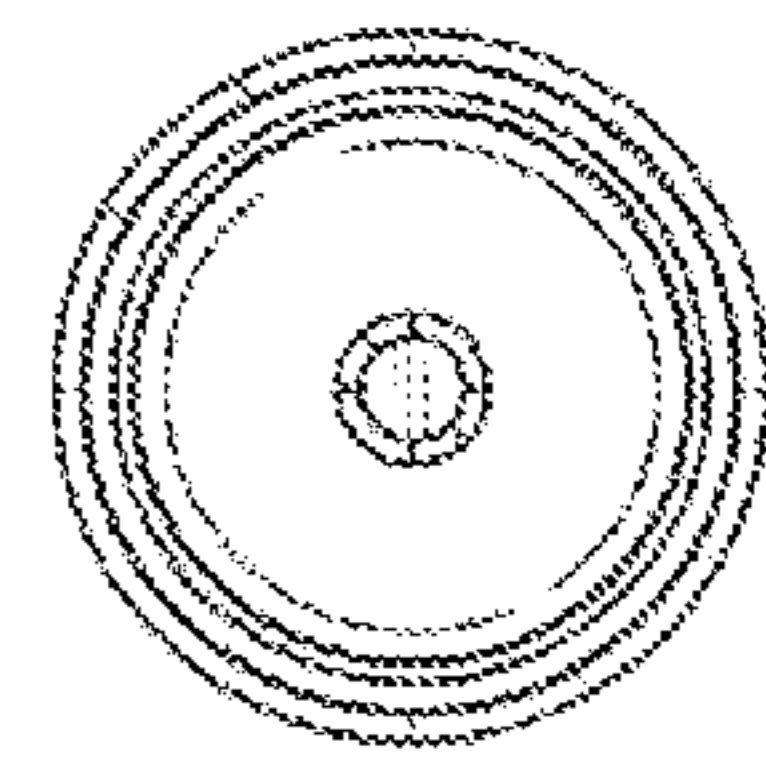


FIG. 7

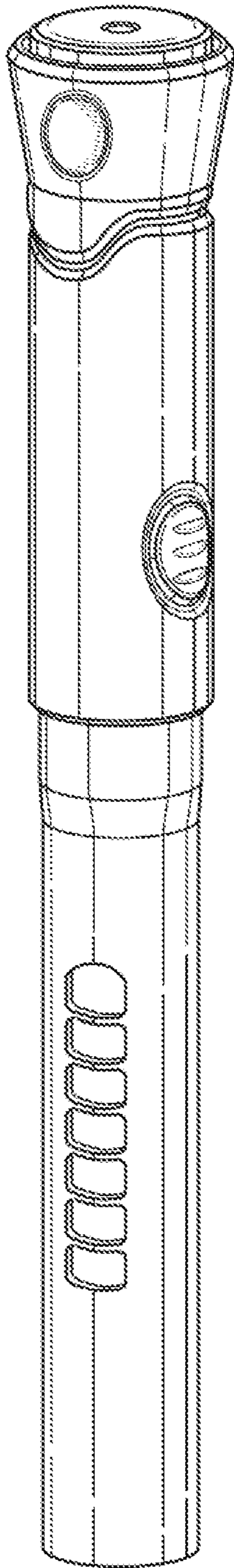


FIG. 8

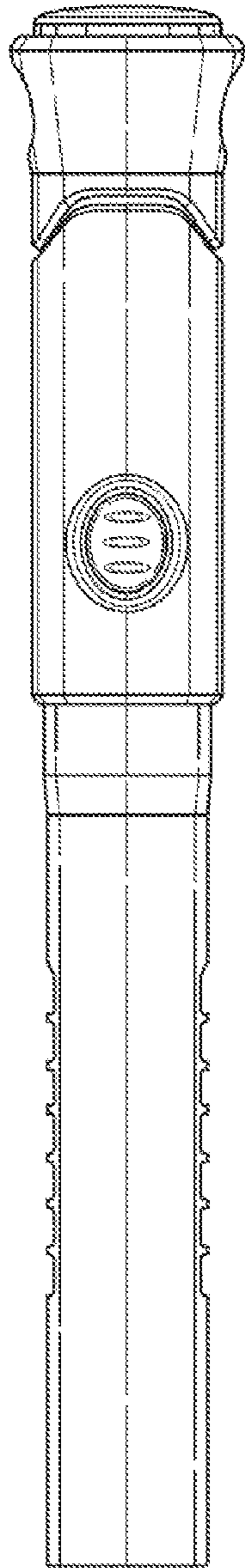


FIG. 9

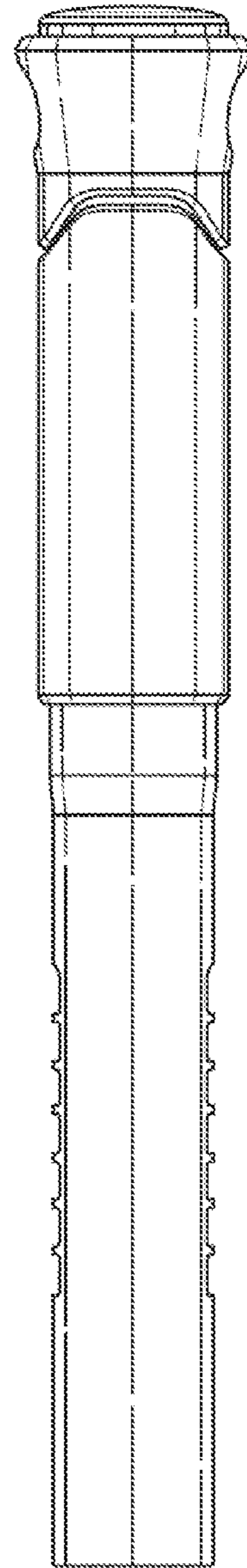


FIG. 10

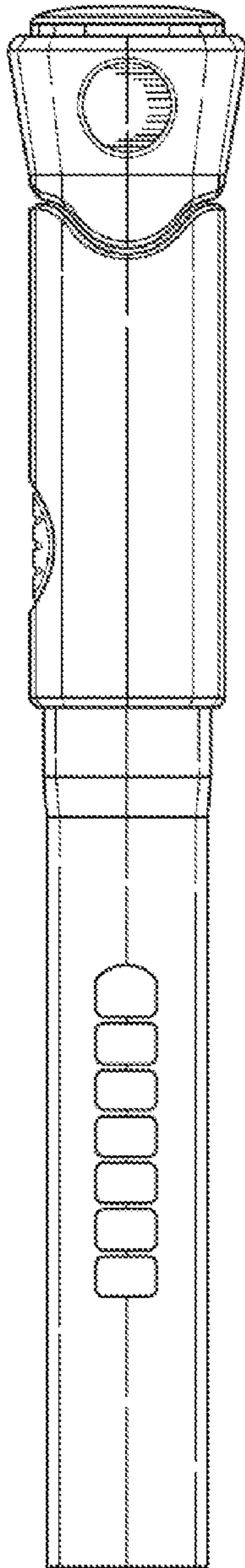


FIG. 11

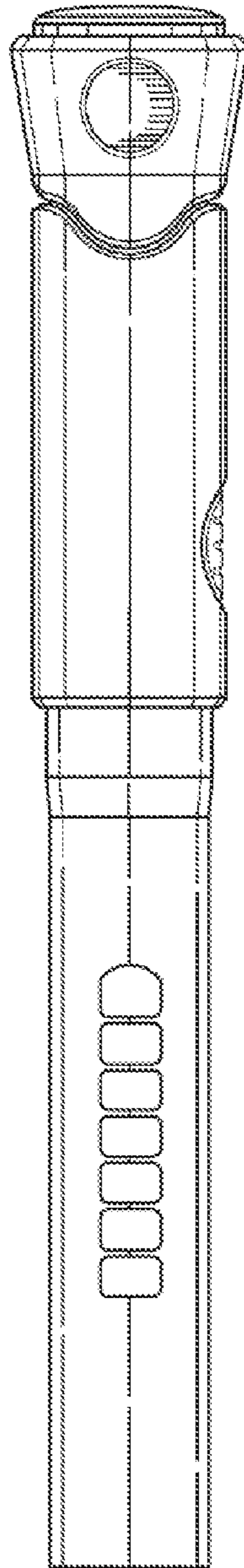


FIG. 12

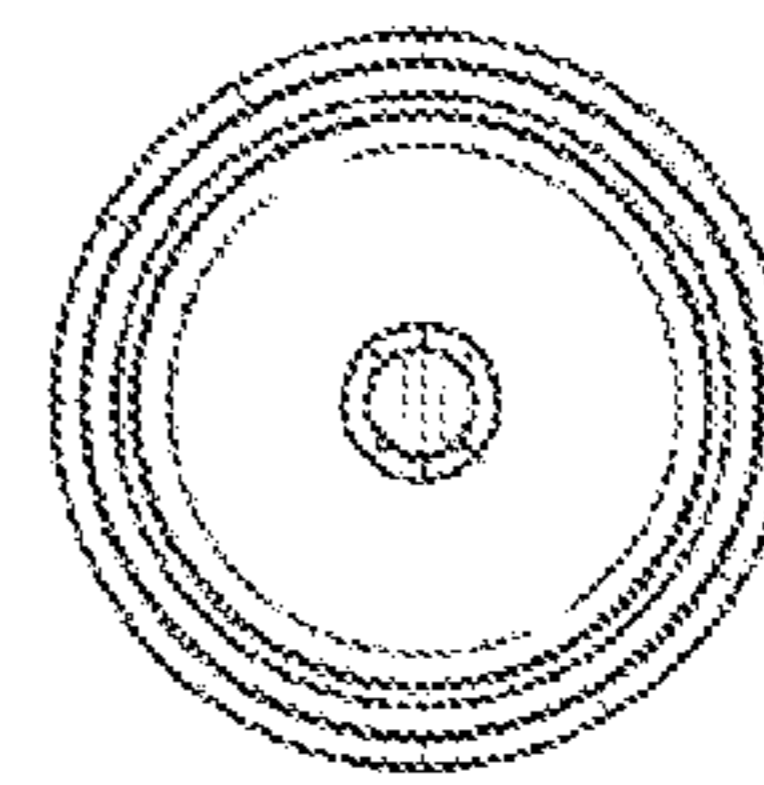


FIG. 13

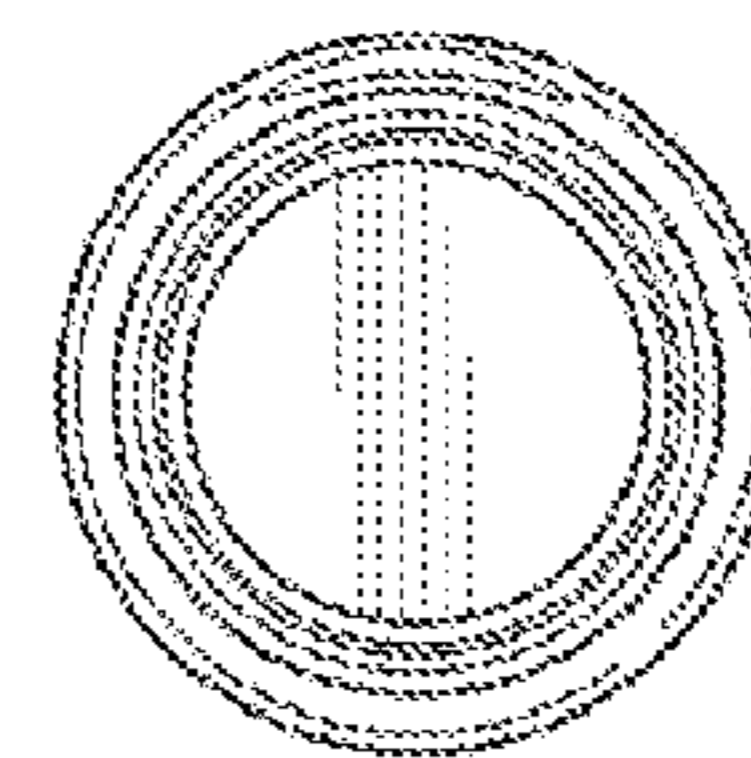


FIG. 14