



US00D714931S

(12) **United States Design Patent**
Sealfon

(10) **Patent No.:** **US D714,931 S**

(45) **Date of Patent:** **** Oct. 7, 2014**

(54) **SUBCUTANEOUS NEEDLE ASSEMBLY**

(75) Inventor: **Andrew Sealfon**, Monroe, NY (US)

(73) Assignee: **Repro-Med Systems, Inc.**, Chester, NY (US)

(**) Term: **14 Years**

(21) Appl. No.: **29/414,359**

(22) Filed: **Feb. 28, 2012**

(51) **LOC (10) Cl.** **24-02**

(52) **U.S. Cl.**
USPC **D24/112**

(58) **Field of Classification Search**
USPC D24/112, 128, 129, 130, 131, 113, 133;
606/185; 600/101, 139, 143; 604/264,
604/506, 177, 174, 164.04
See application file for complete search history.

(56) **References Cited**

U.S. PATENT DOCUMENTS

4,627,843 A * 12/1986 Raines 604/263
D290,650 S * 6/1987 Moore D24/232

(Continued)

Primary Examiner — Deanna L Pratt

Assistant Examiner — Ieisha Price

(74) *Attorney, Agent, or Firm* — Galgano & Associates, PLLC; Thomas M. Galgano; Jessica G. Bower

(57) **CLAIM**

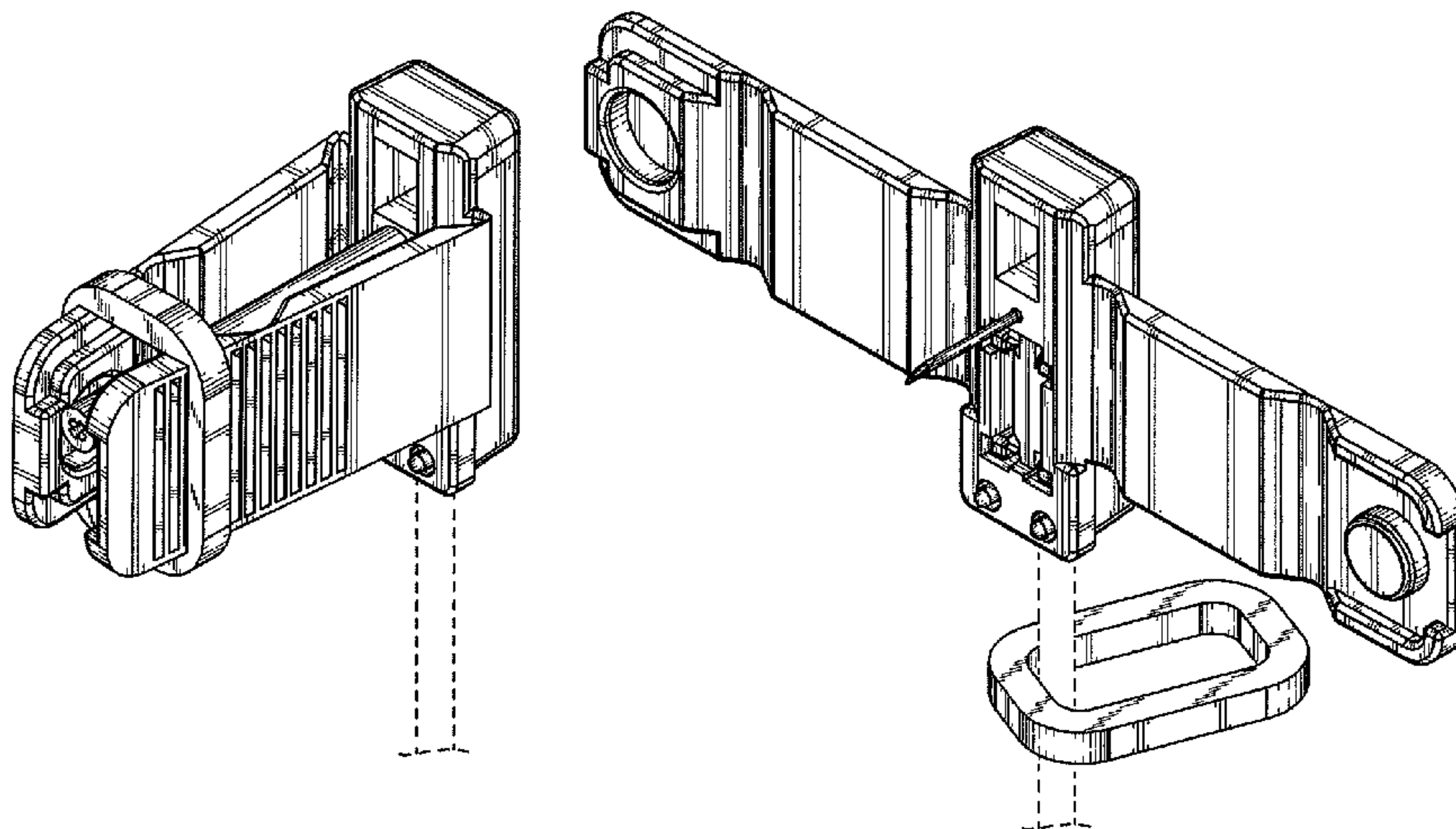
The ornamental design for a subcutaneous needle assembly, as shown and described.

DESCRIPTION

FIG. 1 is a top and right side perspective view of the subcutaneous needle assembly shown with its wings in the closed position and with a sleeve received over its needle and an

elastic band over the wings, showing my new design, attached to a length of flexible plastic tubing shown in phantom; FIG. 2 is a front elevational view thereof; FIG. 3 is a rear elevational view thereof; FIG. 4 is a right side elevational view thereof; FIG. 5 is a left side elevational view thereof; FIG. 6 is a top plan view thereof; FIG. 7 is a bottom plan view thereof; FIG. 8 is a top and right side perspective view of the subcutaneous needle assembly shown with the wings in an open position and disposed horizontally and with the elastic band received over the tubing; FIG. 9 is a front elevational view thereof; FIG. 10 is a rear elevational view thereof; FIG. 11 is a right side elevational view thereof; FIG. 12 is a left side elevational view thereof; FIG. 13 is a top plan view thereof; FIG. 14 is a bottom plan view thereof; FIG. 15 is a top and right side perspective view of the subcutaneous needle assembly with the wings shown in an open position and pressed together and the elastic band received over the tubing; FIG. 16 is a front elevational view thereof; FIG. 17 is a rear elevational view thereof; FIG. 18 is a right side elevational view thereof; FIG. 19 is a left side elevational view thereof; FIG. 20 is a top plan view thereof; FIG. 21 is a bottom plan view thereof; FIG. 22 is a top and right side perspective view of the subcutaneous needle assembly shown with the wings in the closed position with its interlocking tabs pressed together and the elastic band received over the wings, but, without the sleeve received over the needle; FIG. 23 is a front elevational view thereof; FIG. 24 is a rear elevational view thereof; FIG. 25 is a right side elevational view thereof; FIG. 26 is a left side elevational view thereof; FIG. 27 is a top plan view thereof; and, FIG. 28 is a bottom plan view thereof; The broken line is included for the purpose of illustrating the tubing portion of the subcutaneous needle assembly and forms no part of the claimed design.

1 Claim, 12 Drawing Sheets



(56)

References Cited

U.S. PATENT DOCUMENTS

6,537,255	B1 *	3/2003	Raines	604/177	2004/0260250	A1 *	12/2004	Harris et al.	604/263
6,676,633	B2 *	1/2004	Smith et al.	604/110	2006/0047252	A1 *	3/2006	Ono	604/263
6,824,530	B2 *	11/2004	Wagner et al.	604/162	2008/0154198	A1 *	6/2008	Wei	604/117
6,969,372	B1 *	11/2005	Halseth	604/164.08	2008/0177234	A1 *	7/2008	Keaton et al.	604/177
8,496,626	B2 *	7/2013	Hiraoka et al.	604/192	2012/0035550	A1 *	2/2012	Triplett et al.	604/197
D687,547	S *	8/2013	Wang	D24/130	2013/0172826	A1 *	7/2013	Morita et al.	604/263
2002/0111581	A1 *	8/2002	Sasso	604/93.01	2013/0296808	A1 *	11/2013	Triplett et al.	604/272
						2013/0296827	A1 *	11/2013	Lambert	604/506
						2014/0074050	A1 *	3/2014	Lambert	604/263

* cited by examiner

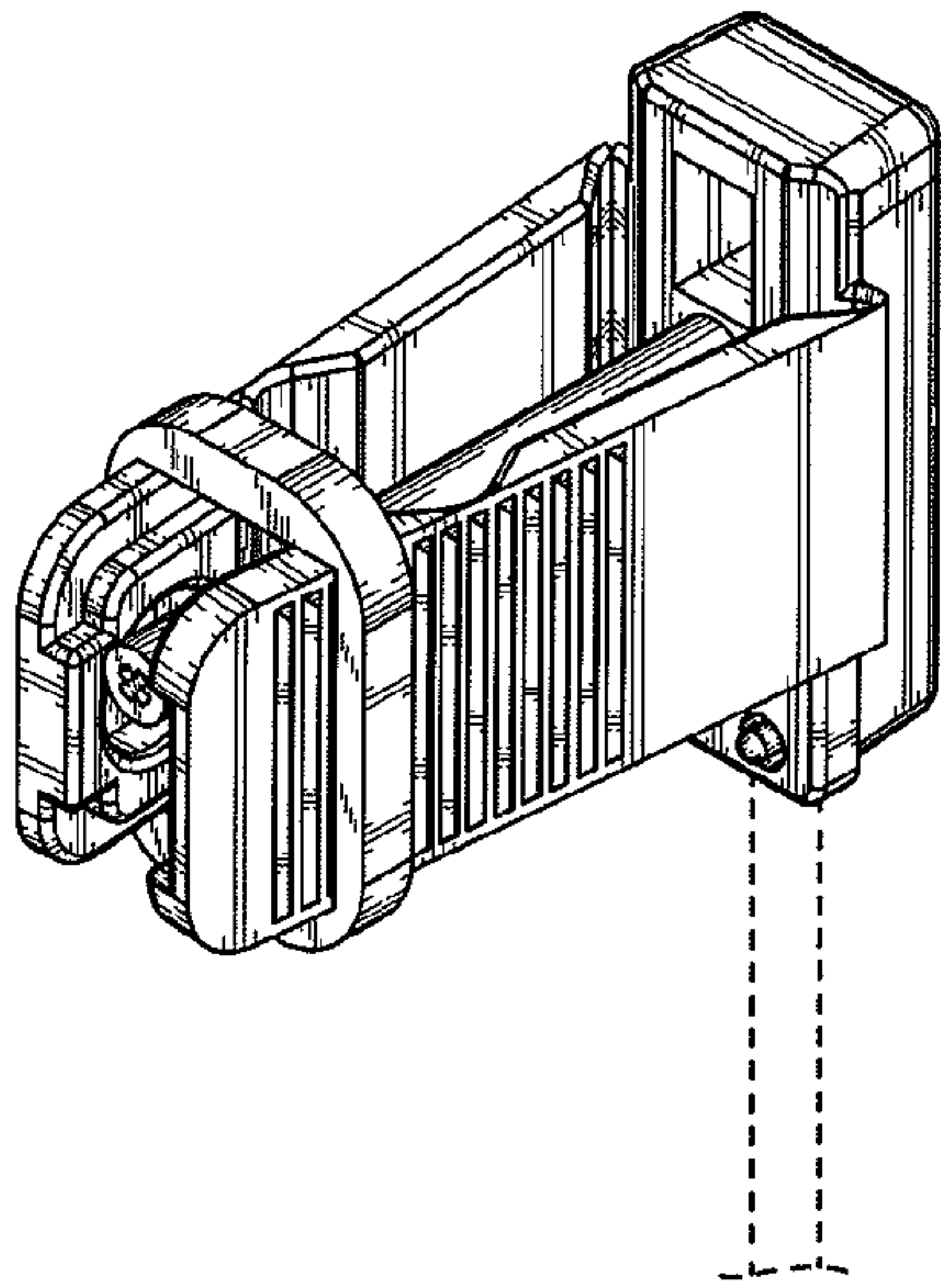


FIG. 1

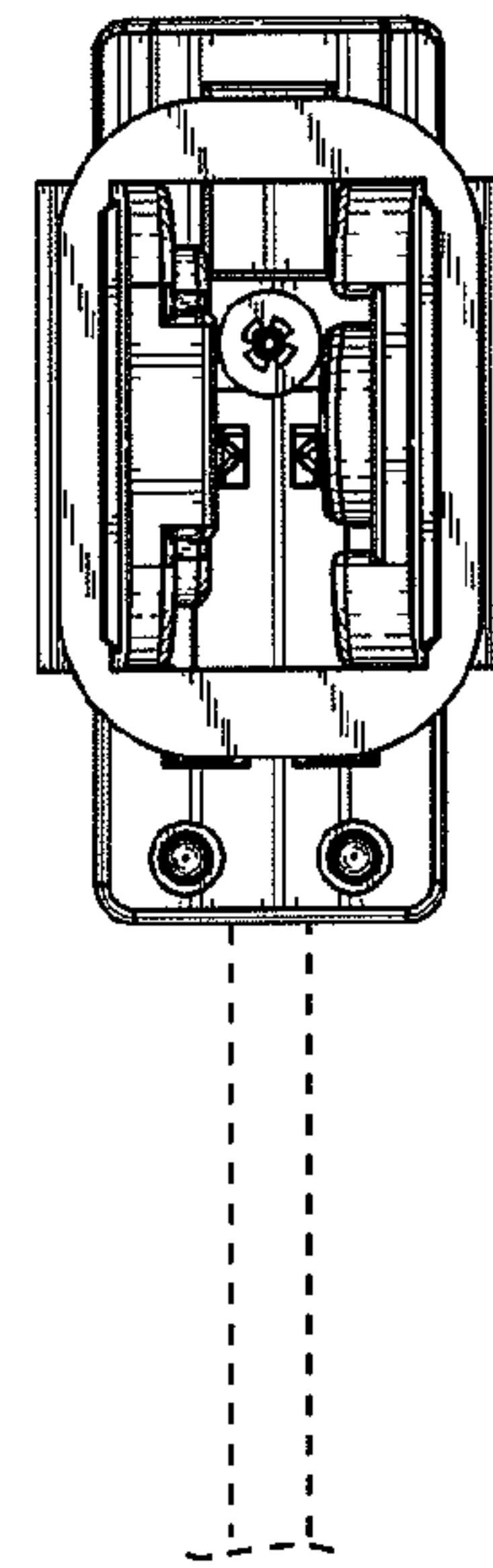


FIG. 2

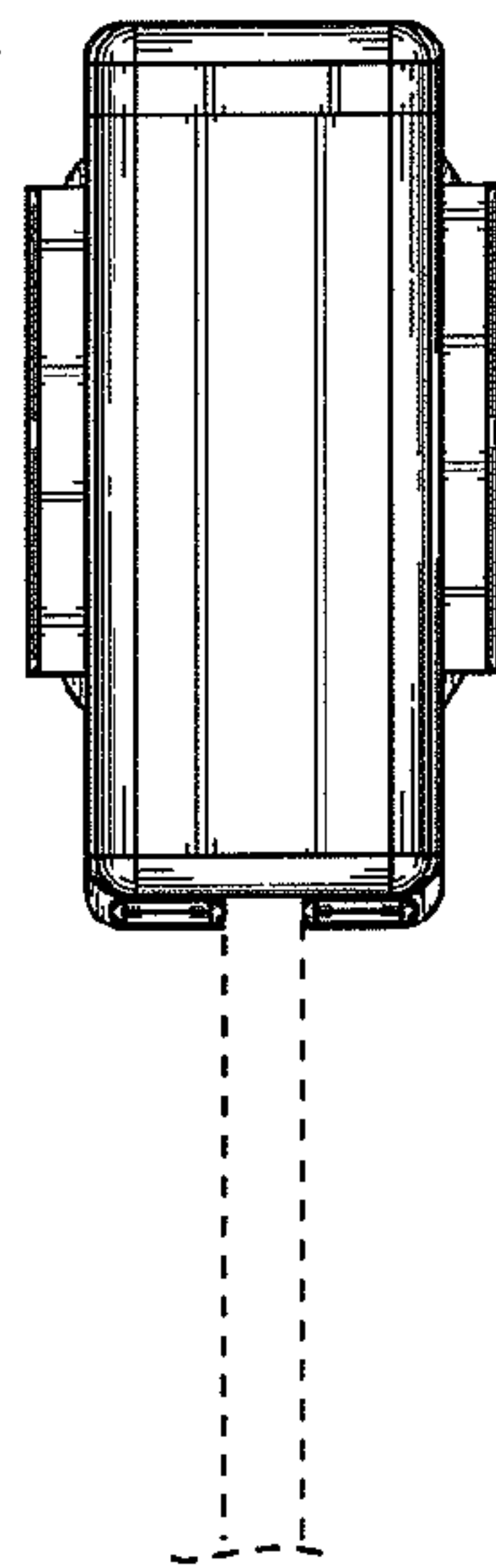


FIG. 3

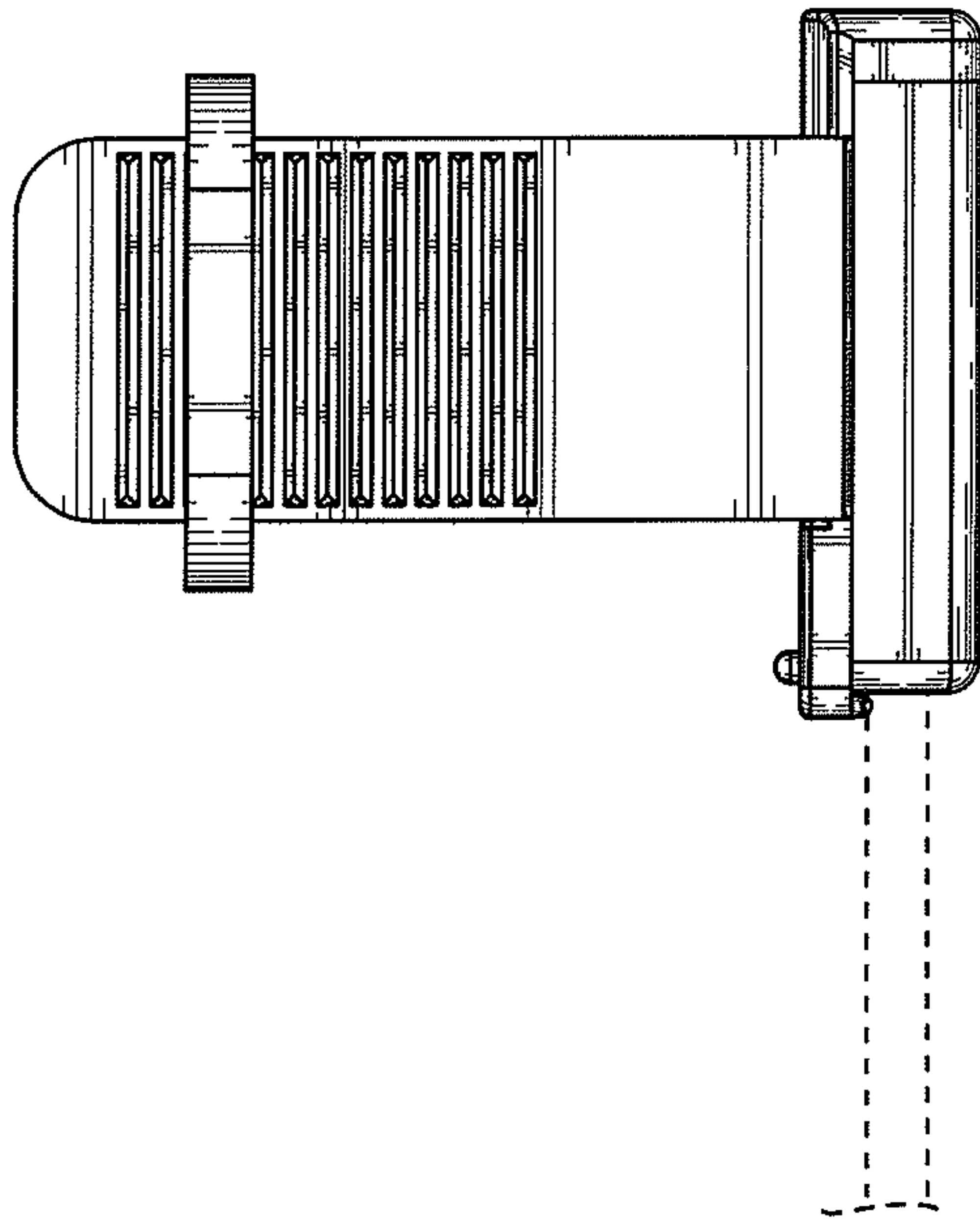


FIG. 4

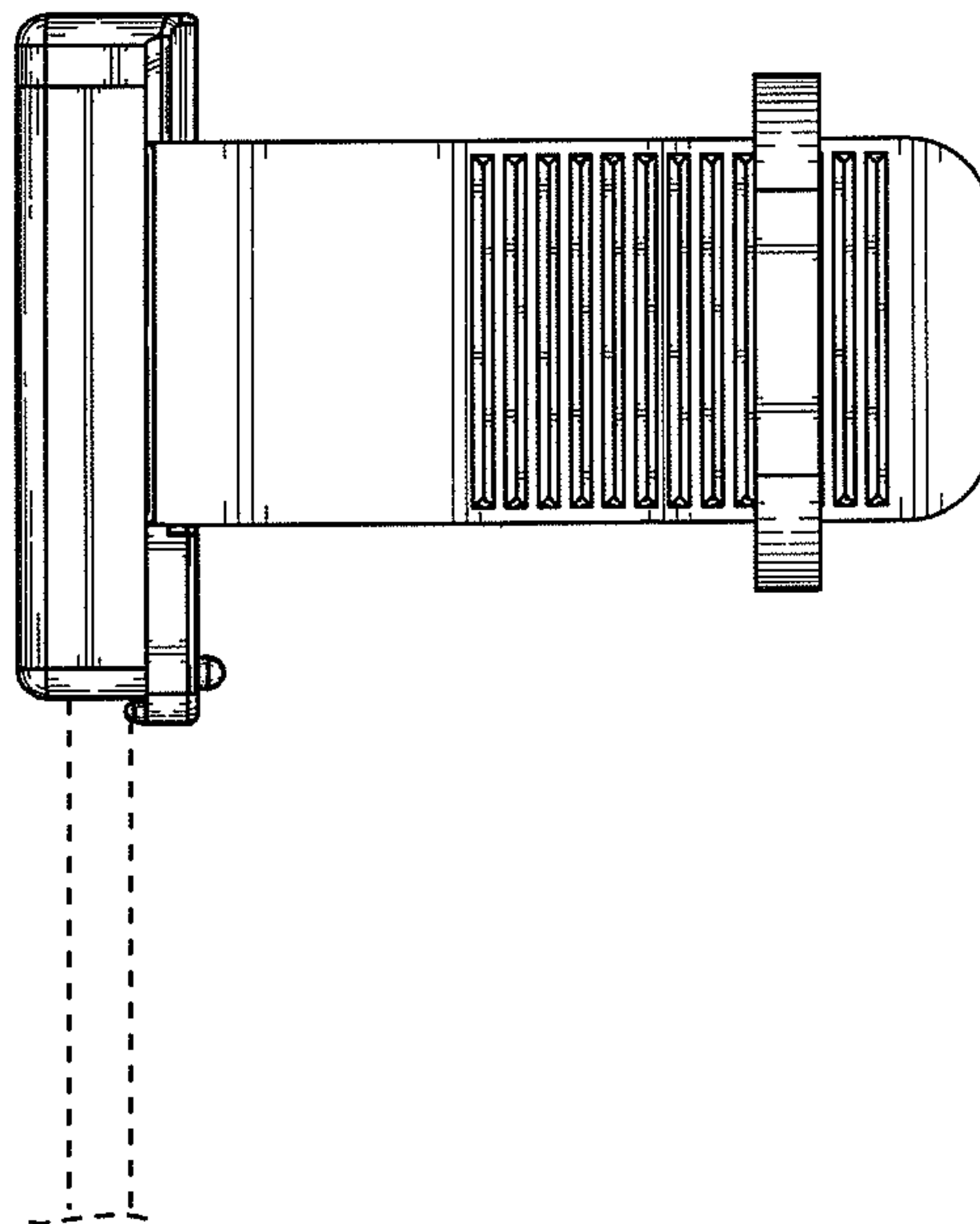


FIG. 5

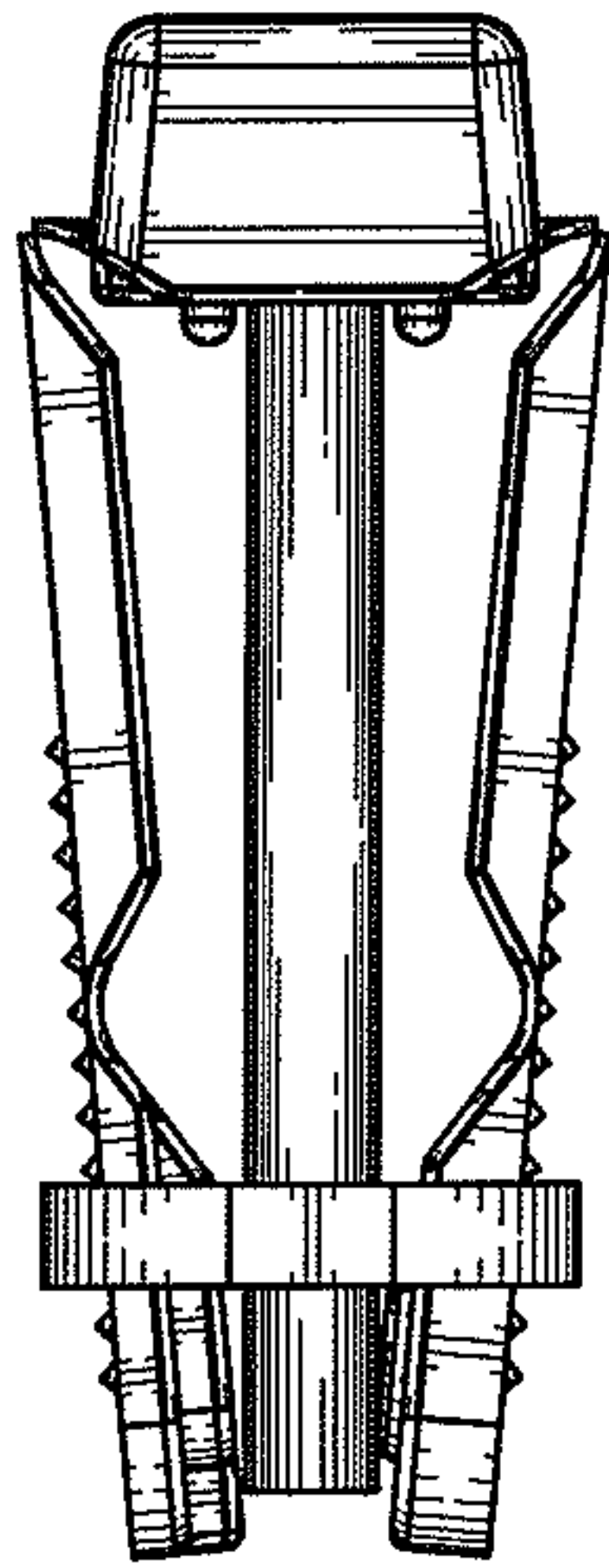


FIG. 6

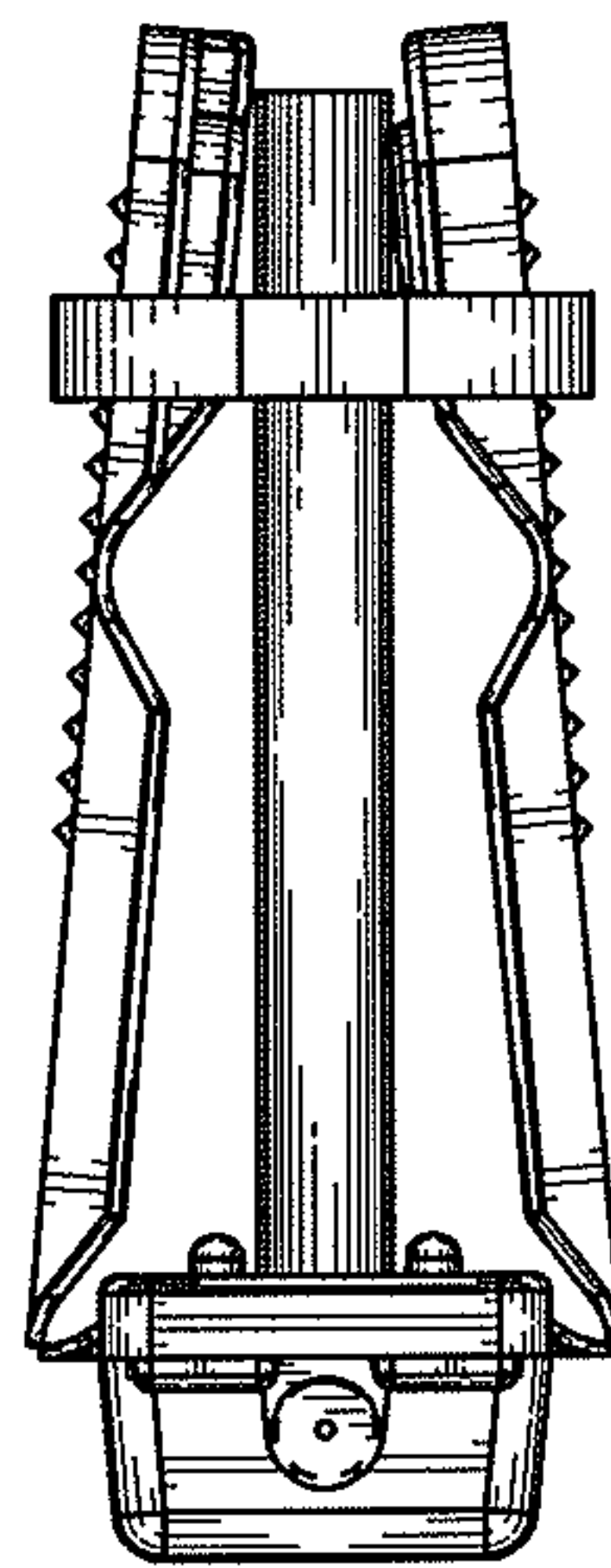


FIG. 7

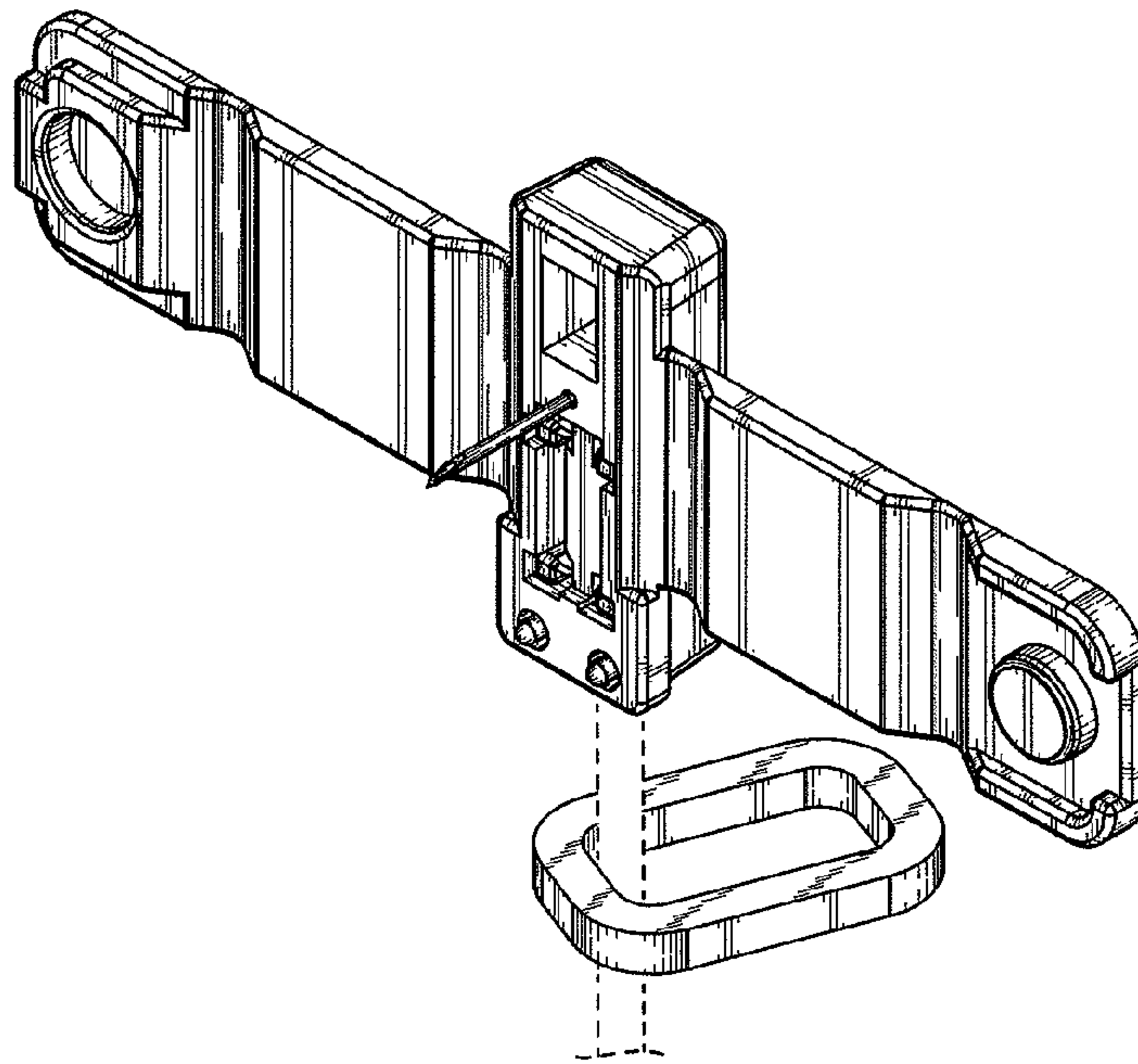


FIG. 8

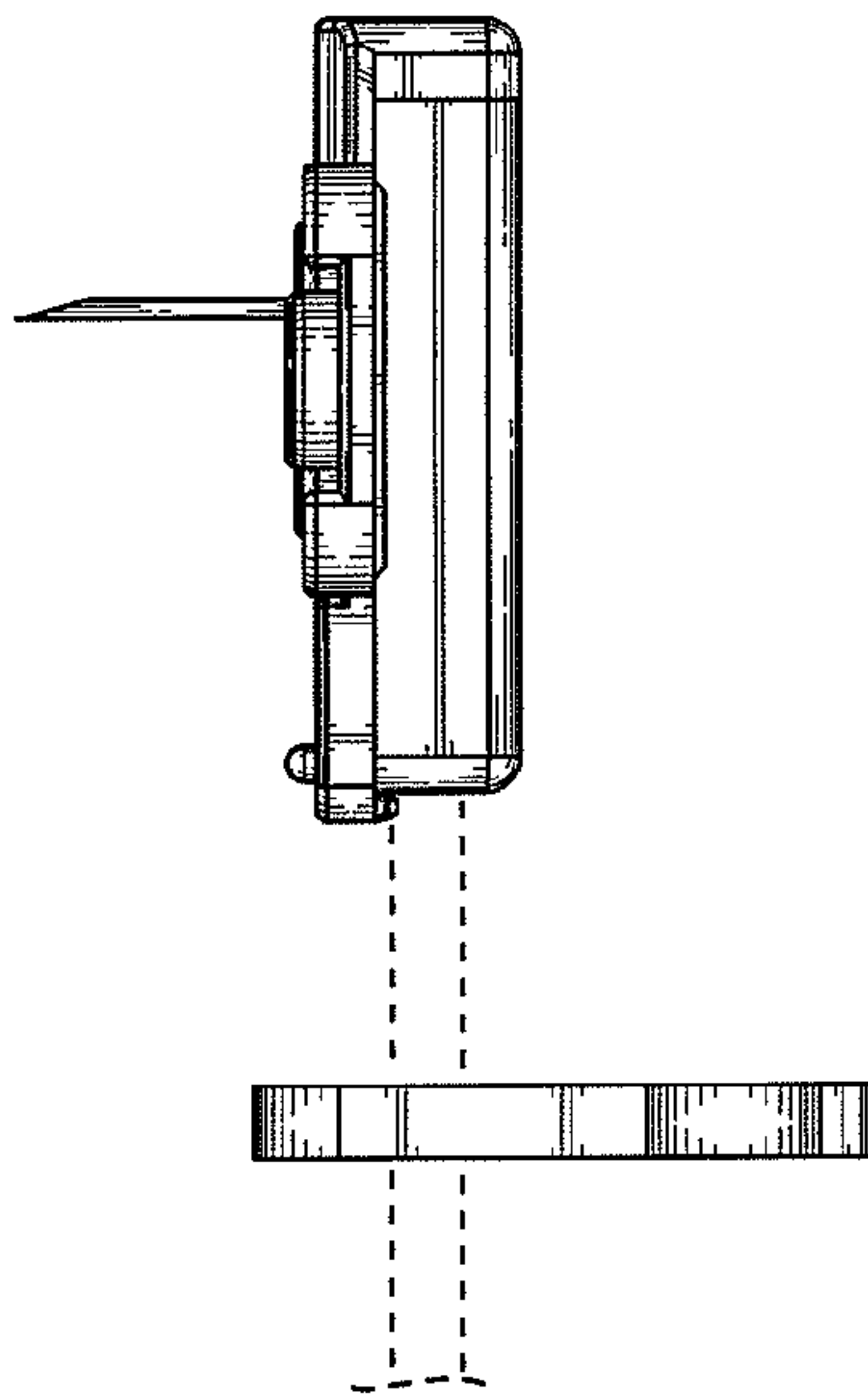


FIG. 11

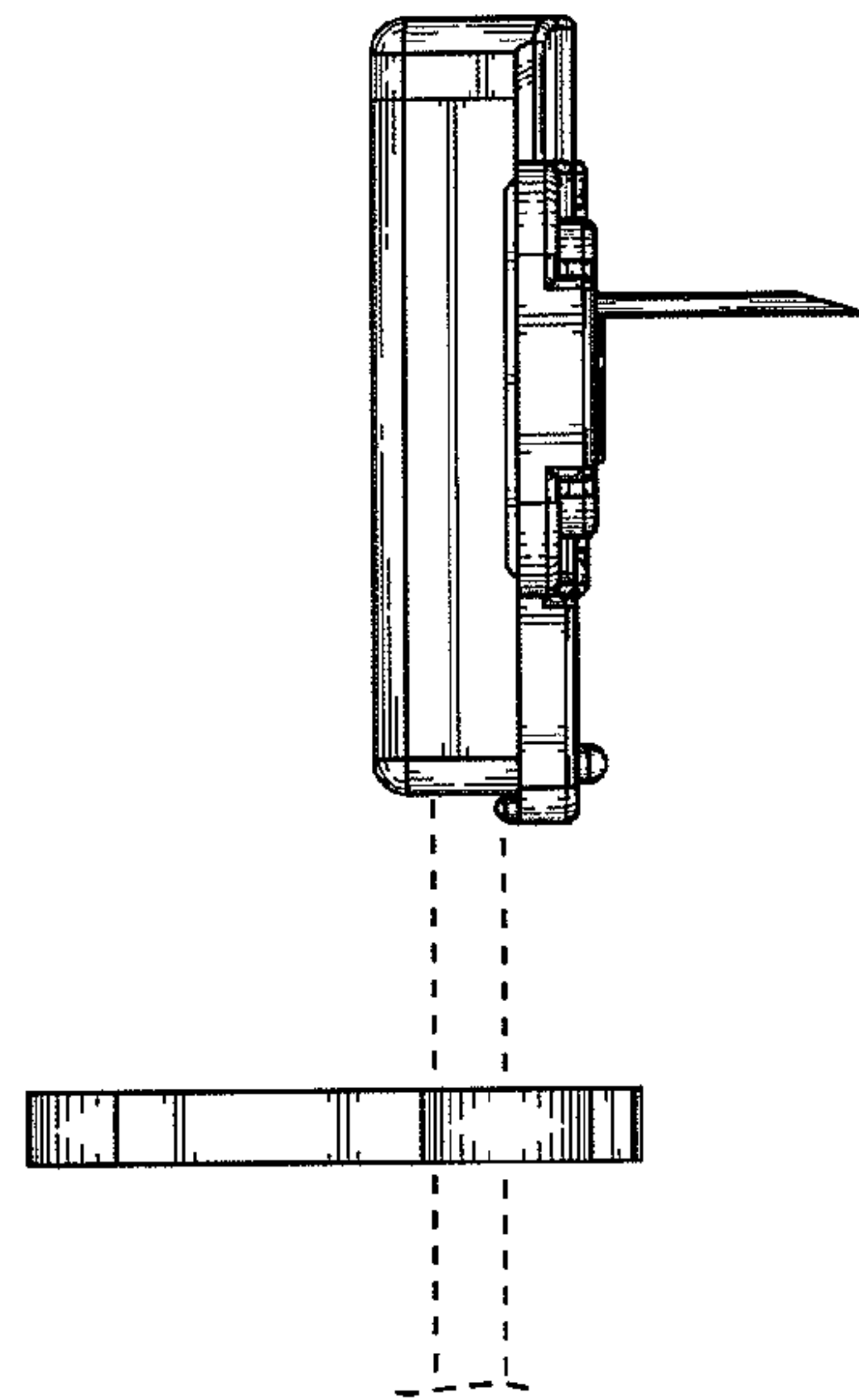


FIG. 12

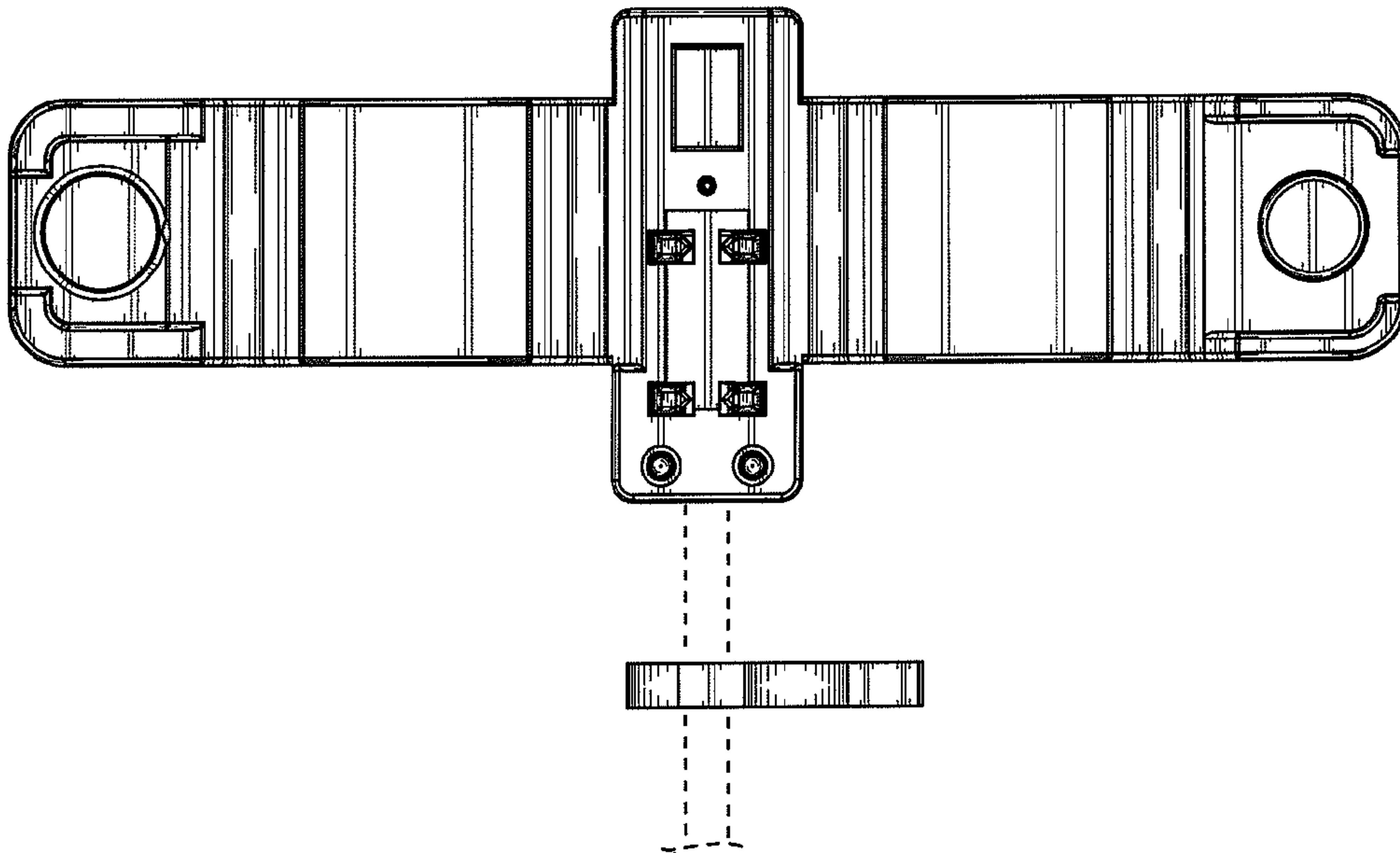


FIG. 9

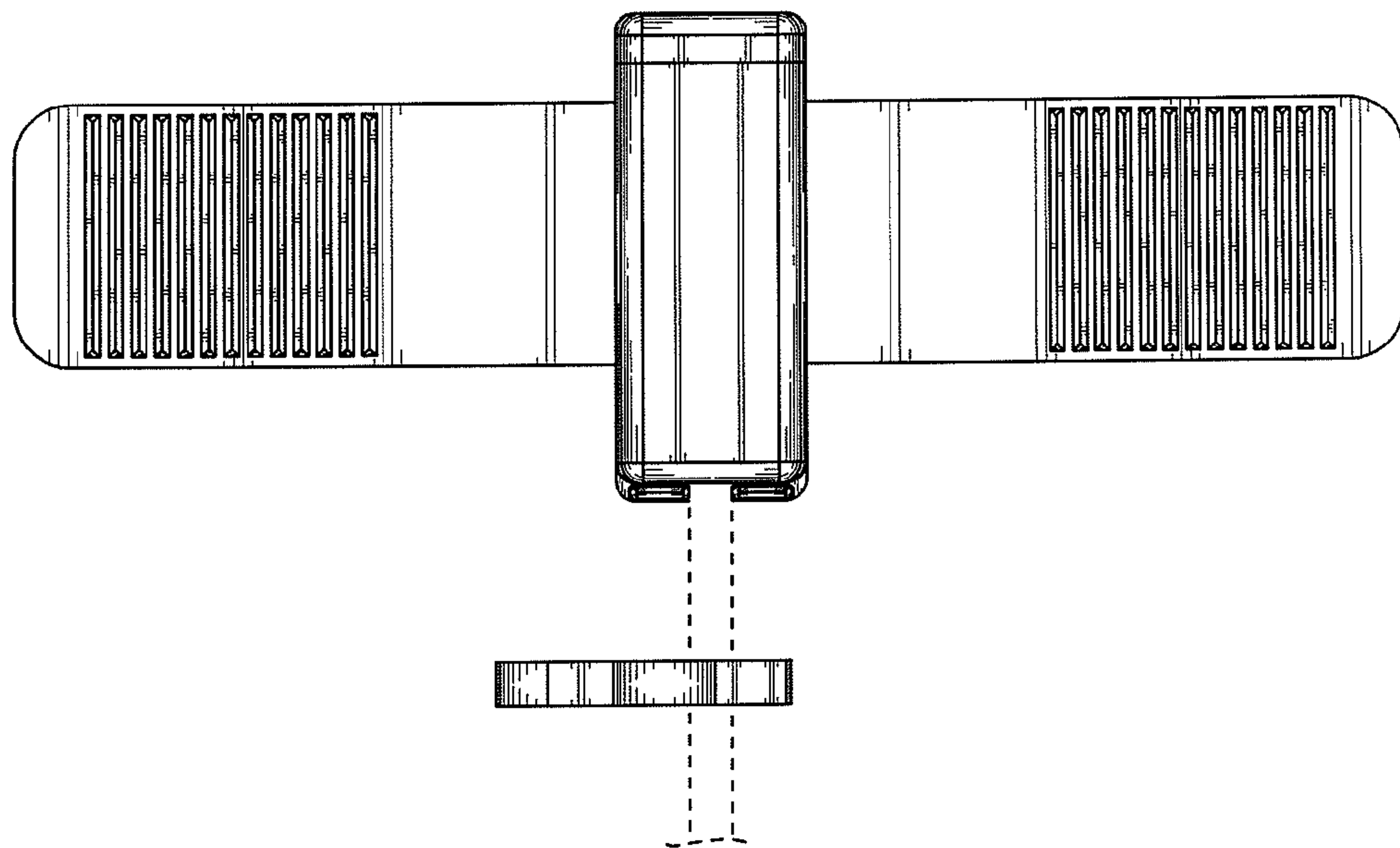


FIG. 10

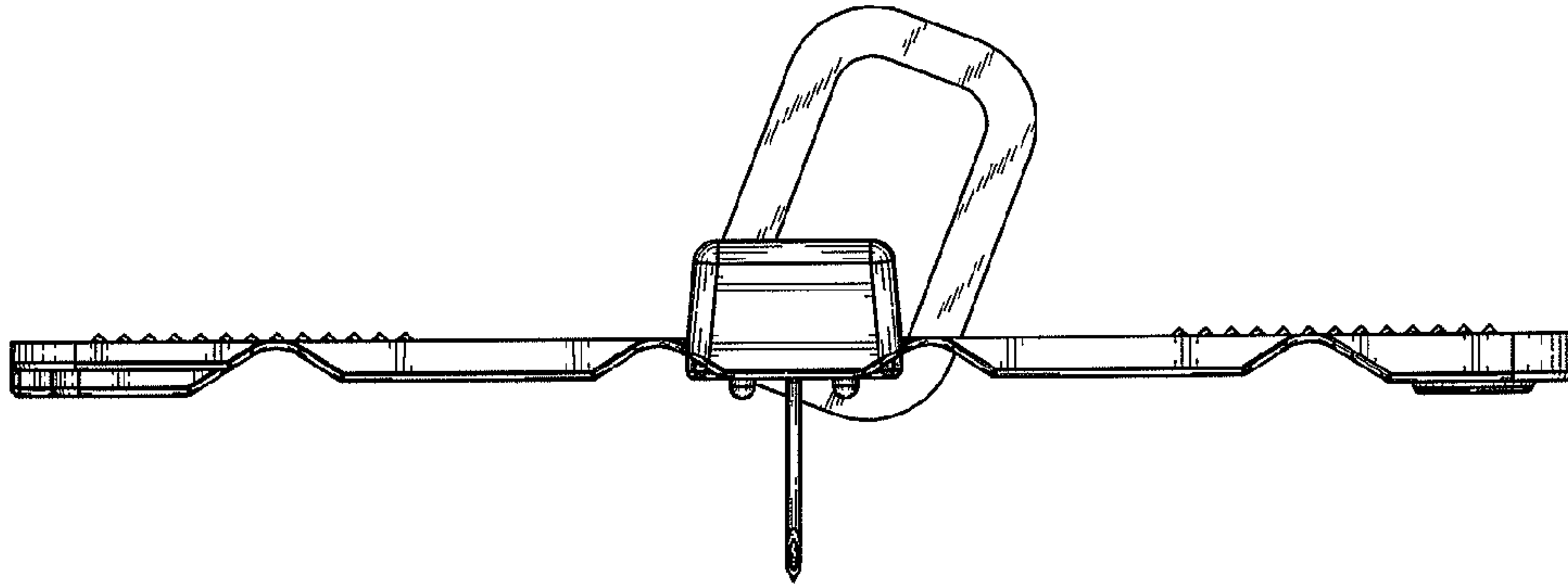


FIG. 13

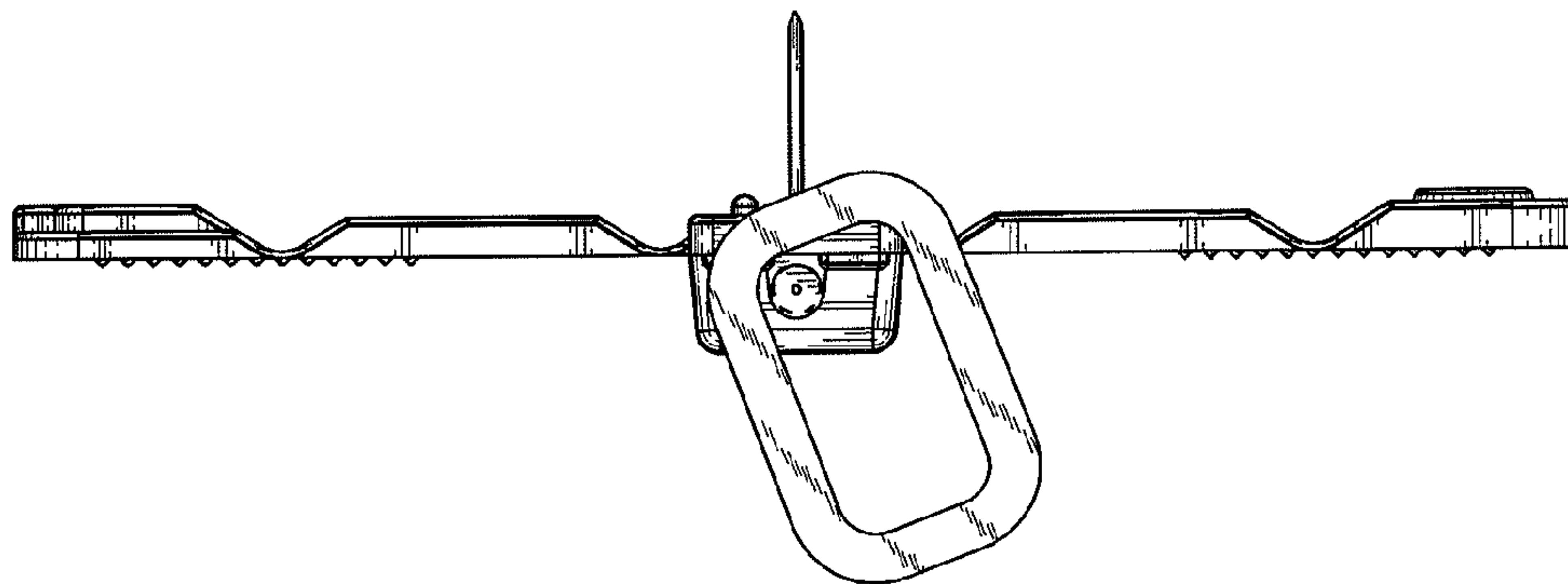


FIG. 14

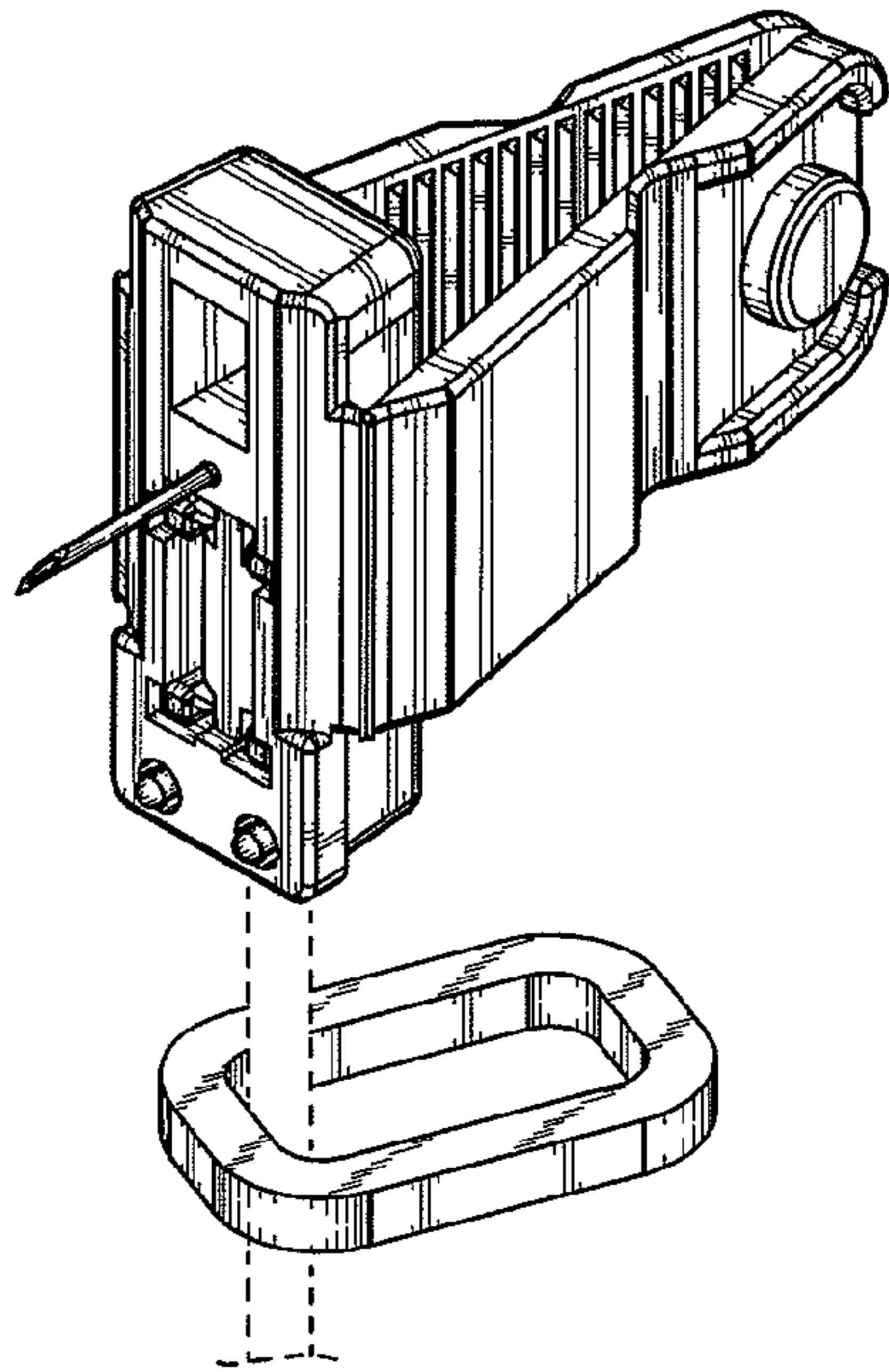


FIG. 15

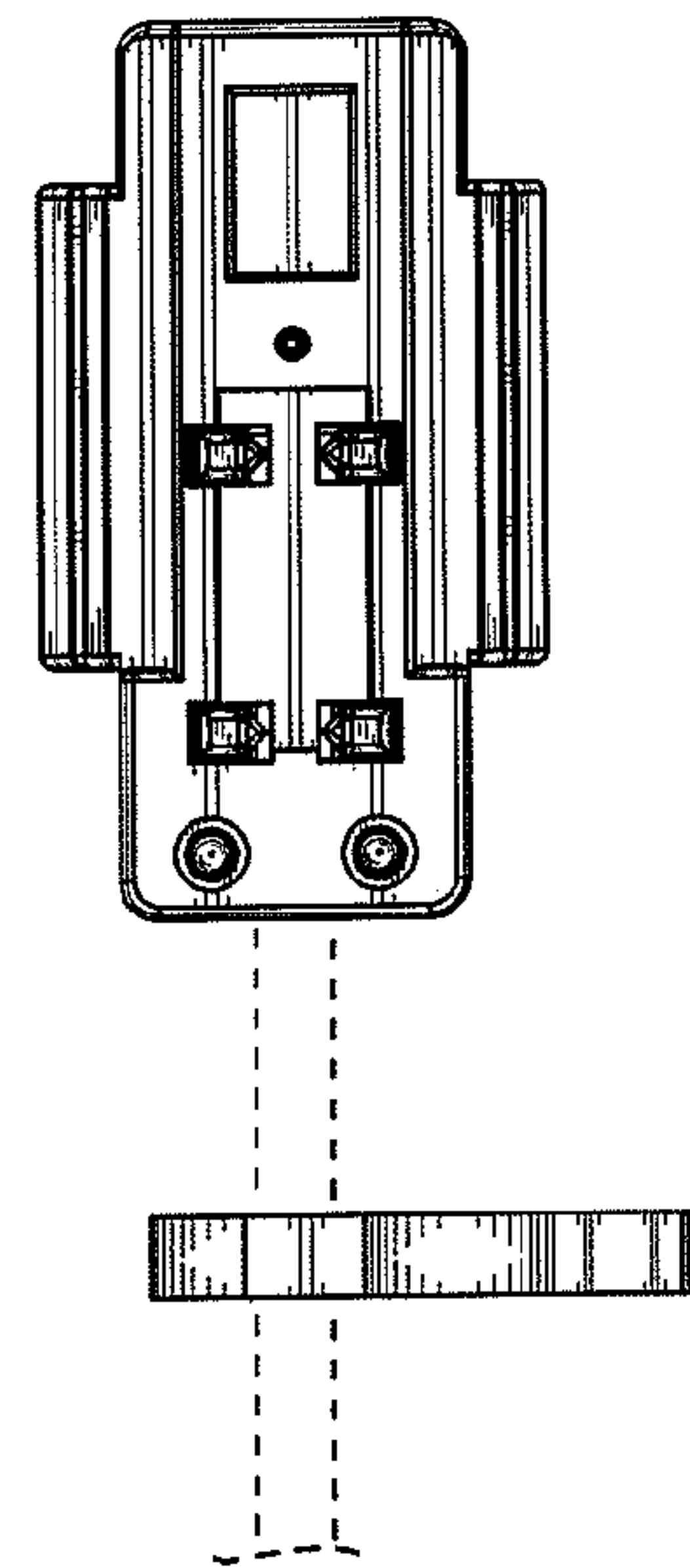


FIG. 16

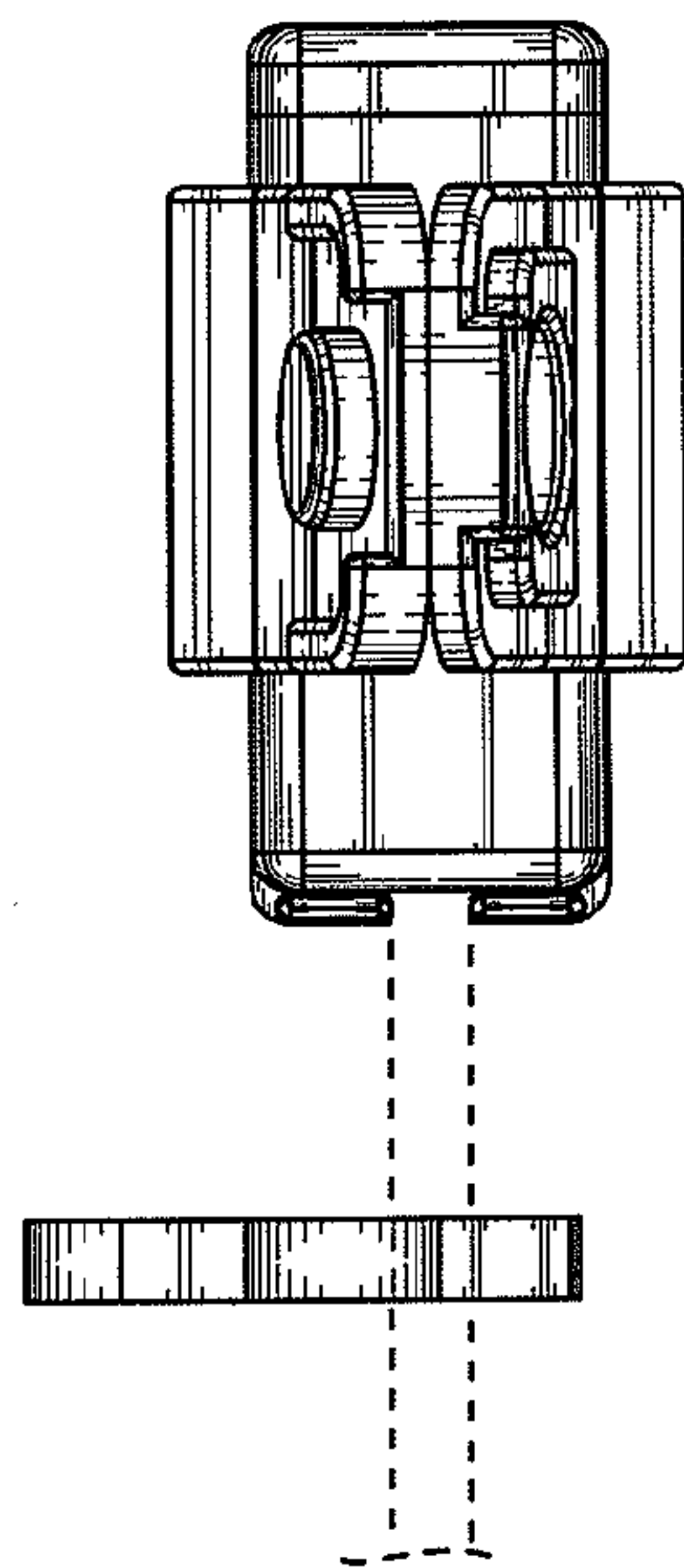


FIG. 17

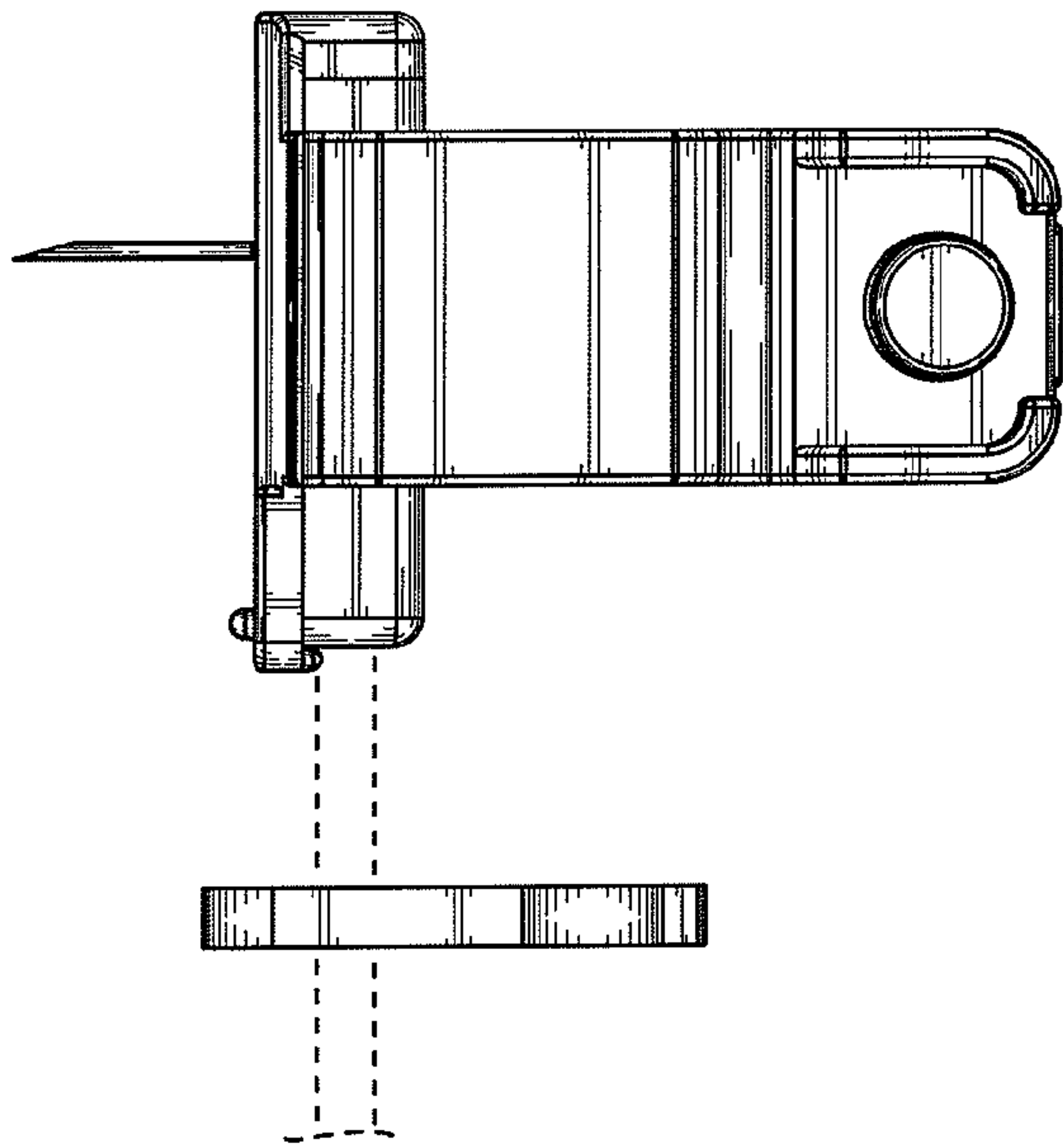


FIG. 18

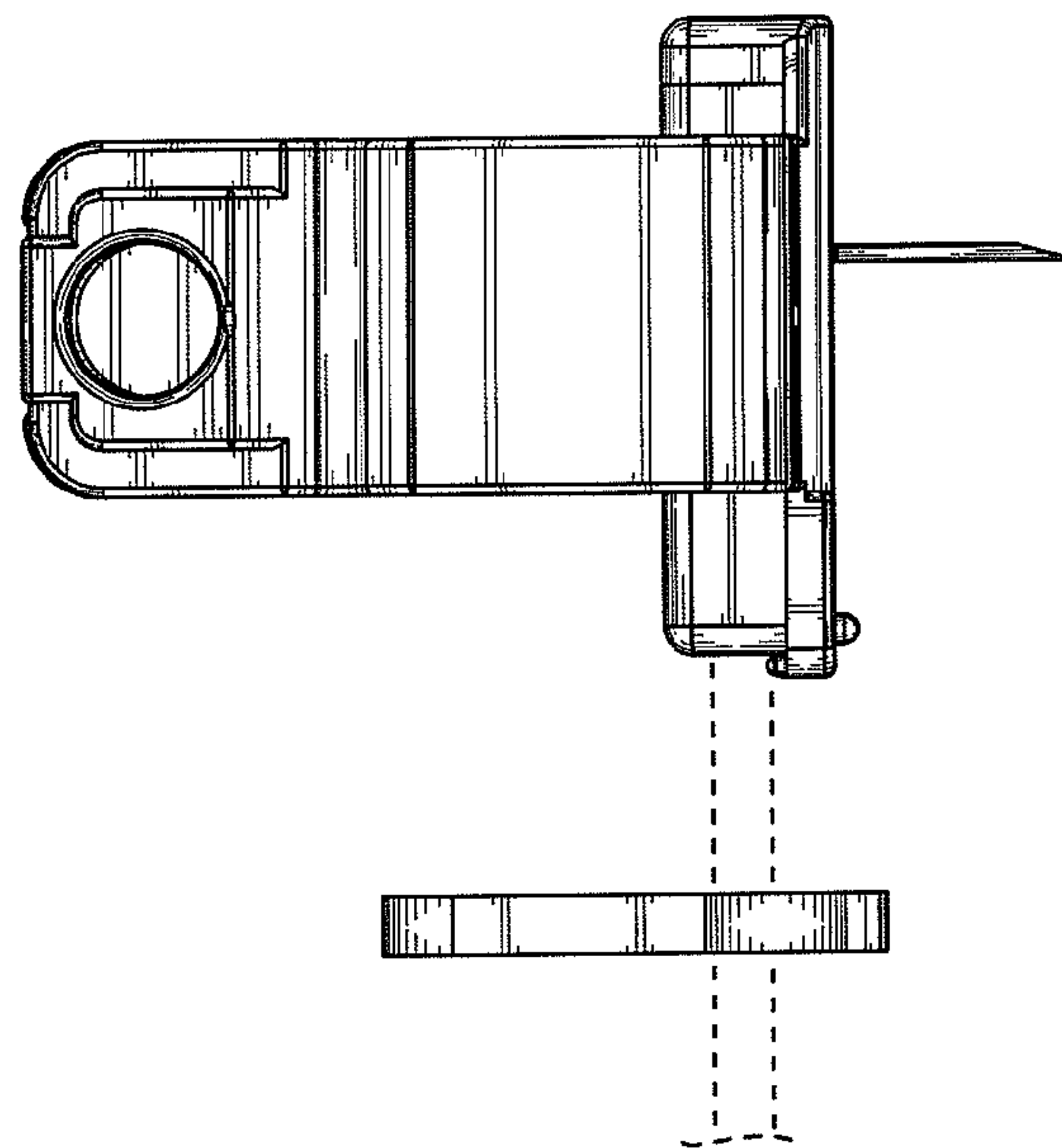


FIG. 19

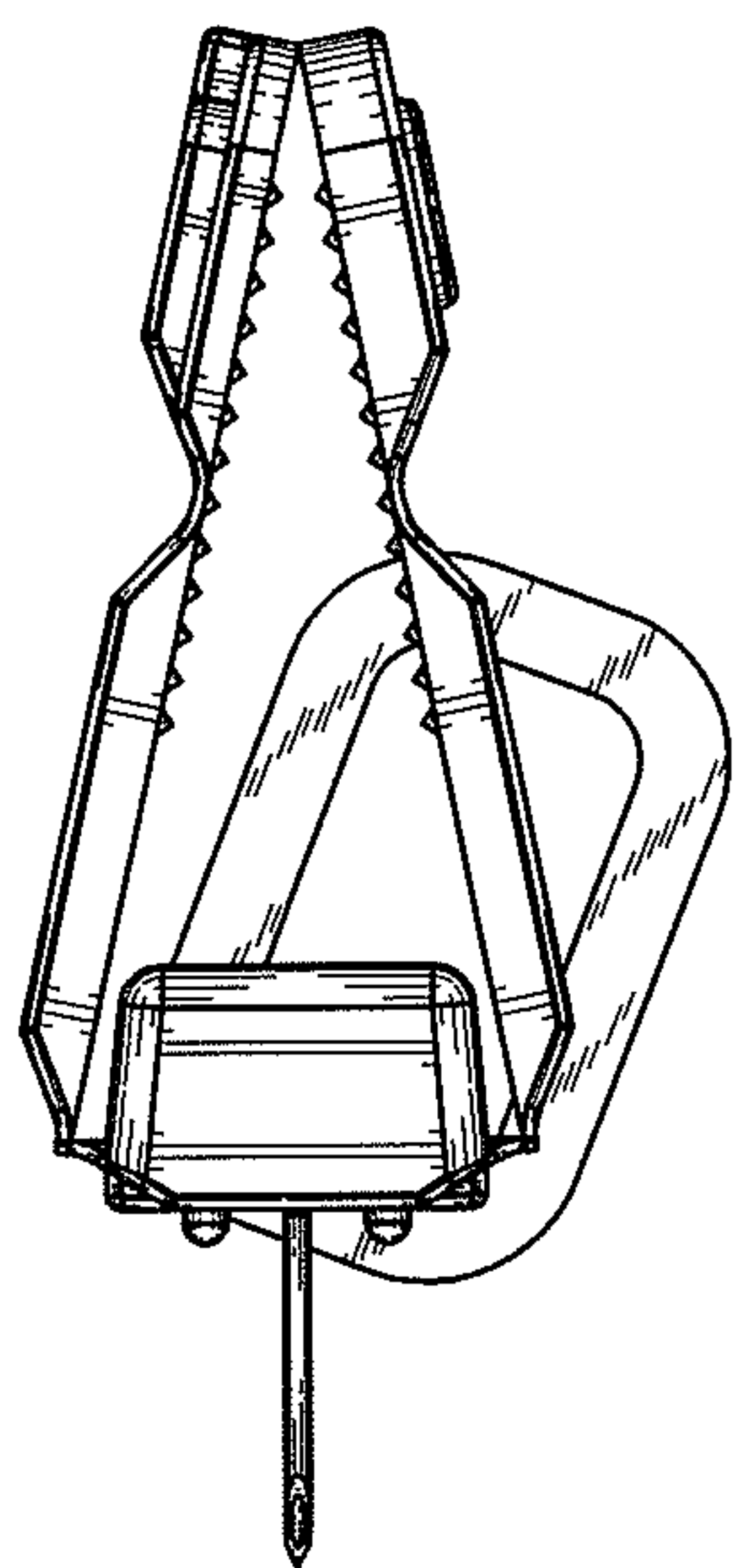


FIG. 20

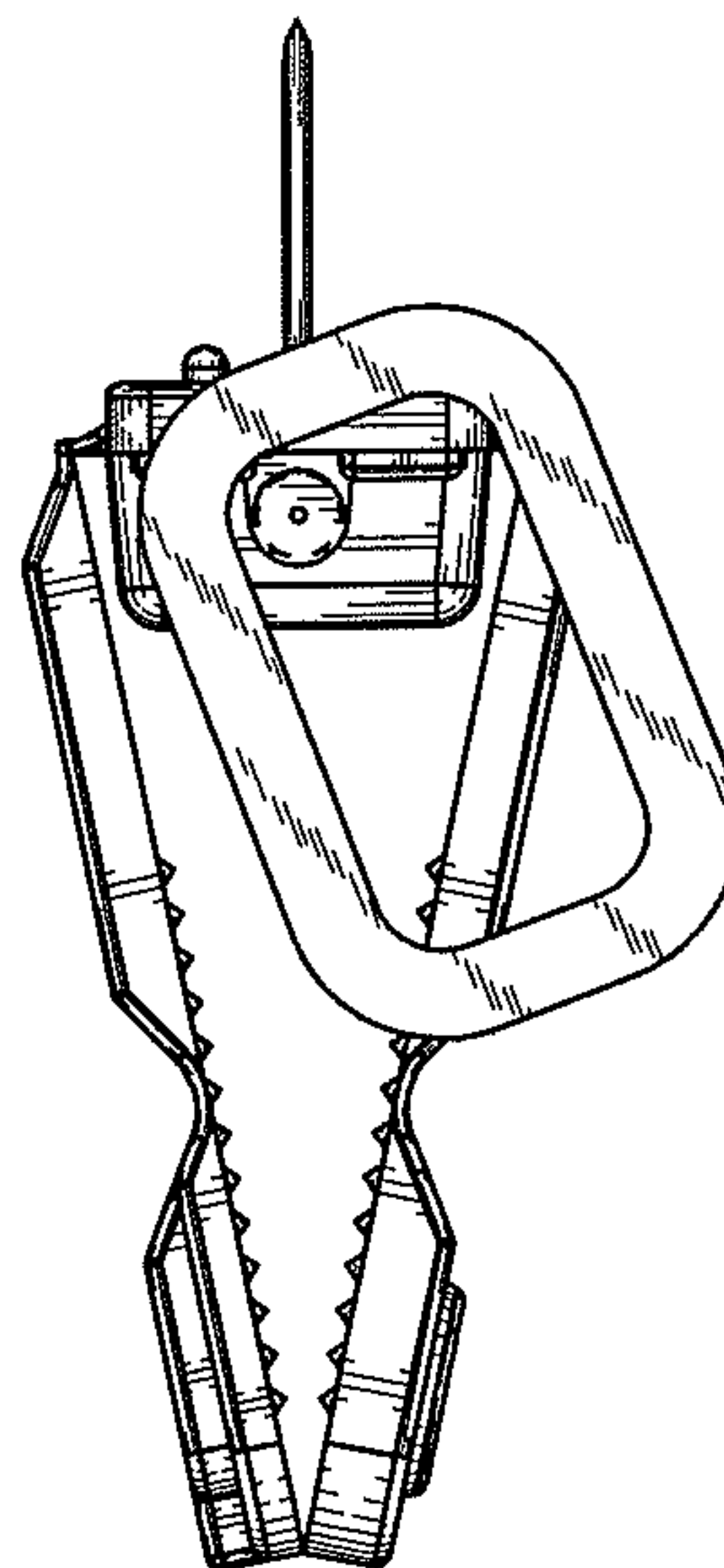


FIG. 21

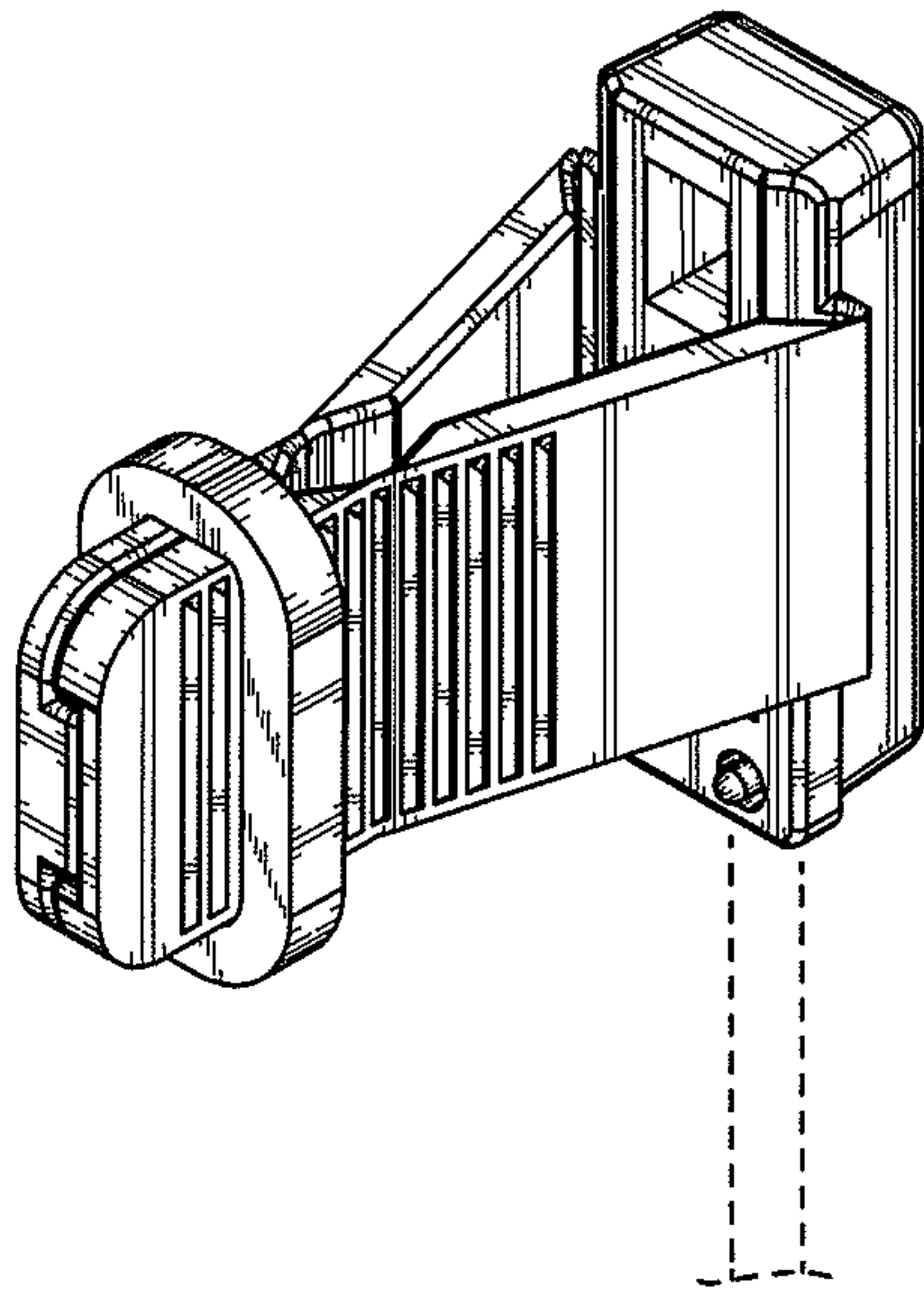


FIG. 22

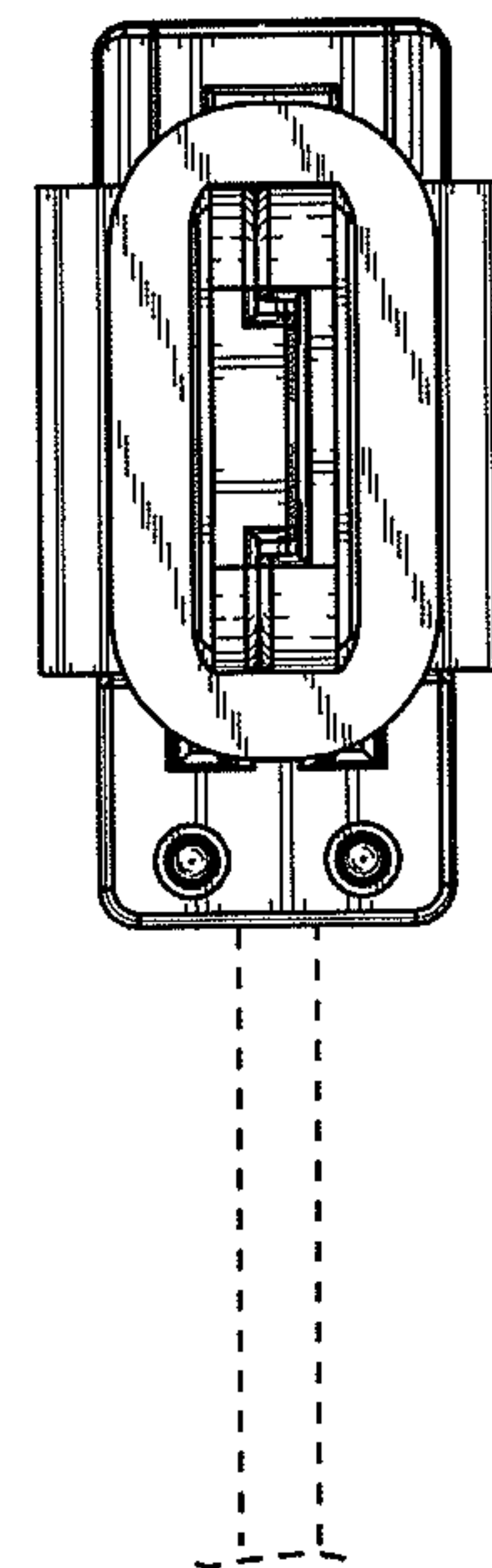


FIG. 23

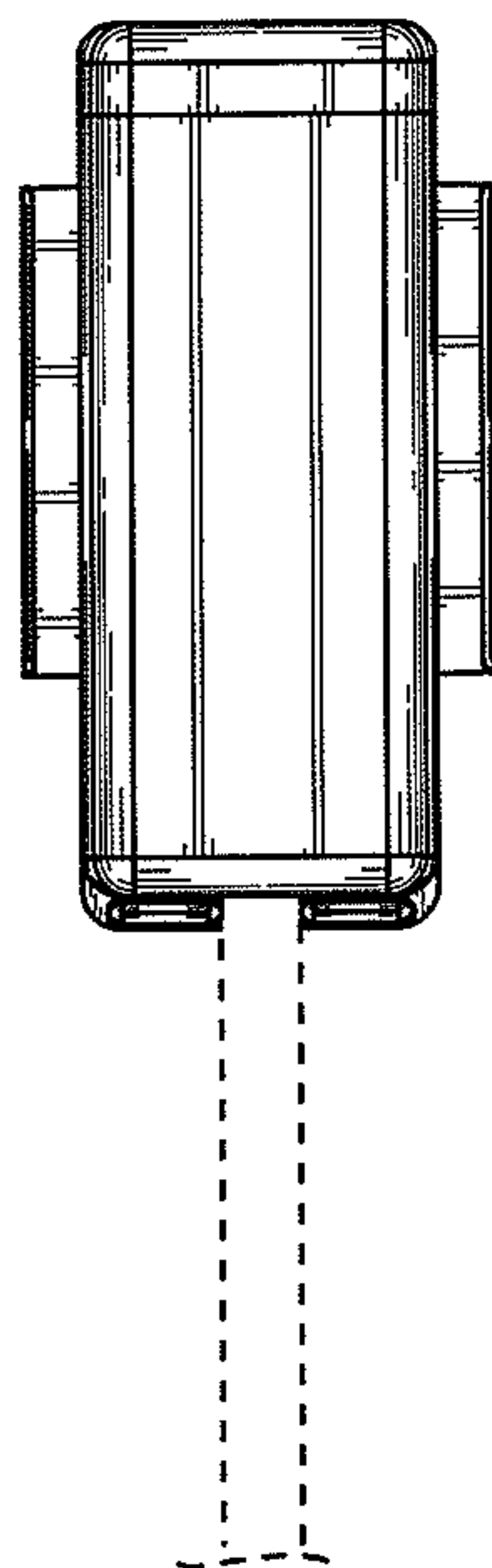


FIG. 24

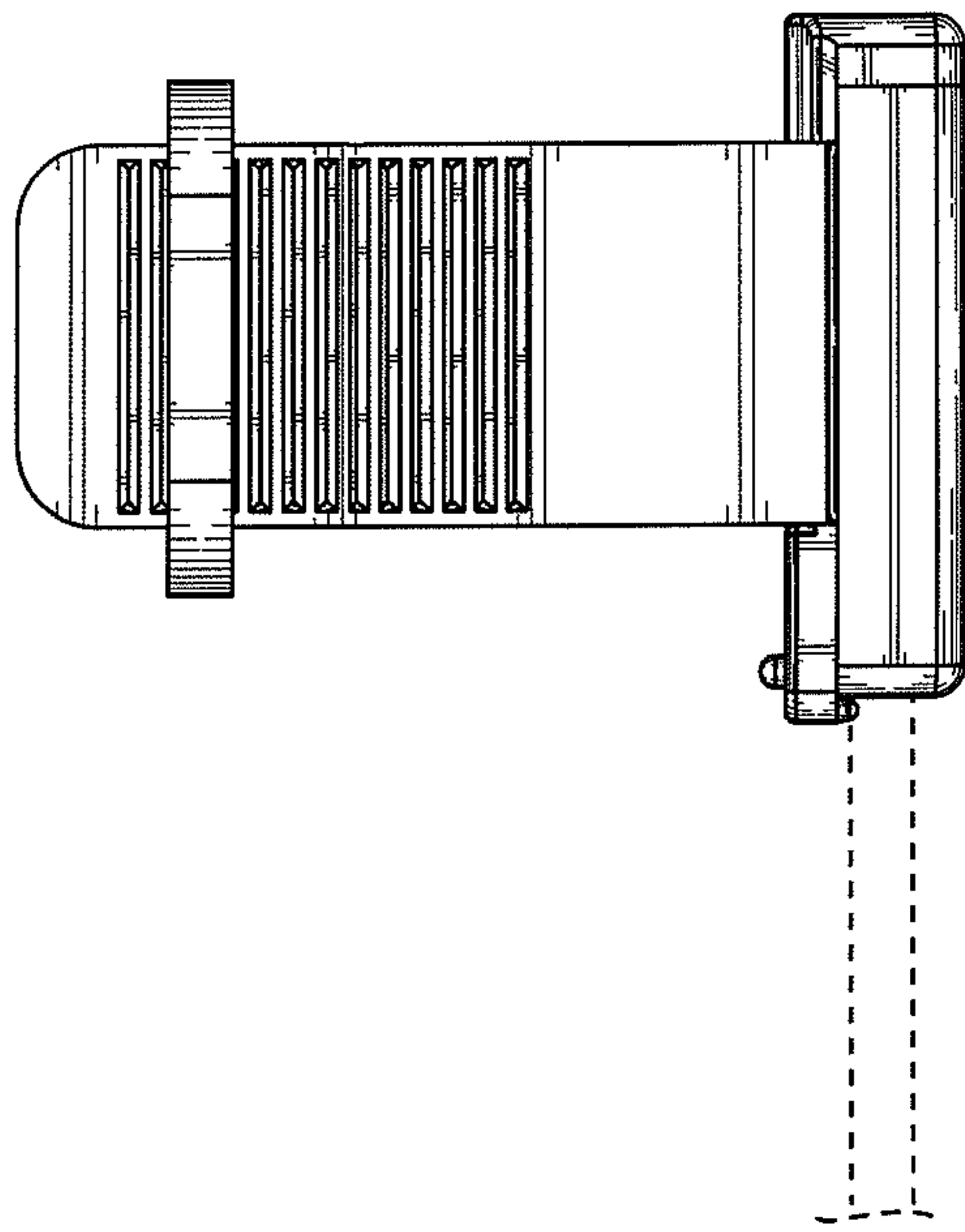


FIG. 25

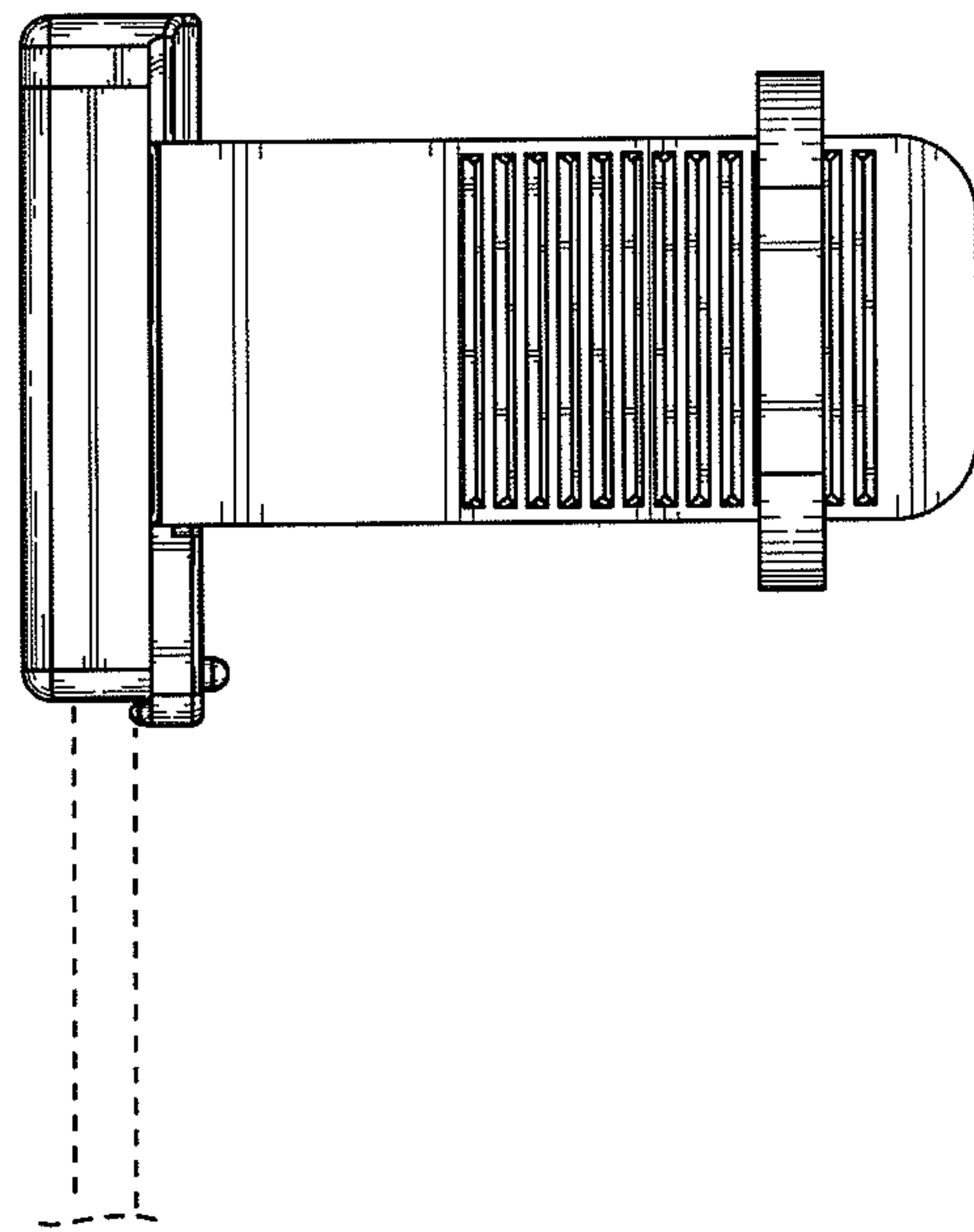


FIG. 26

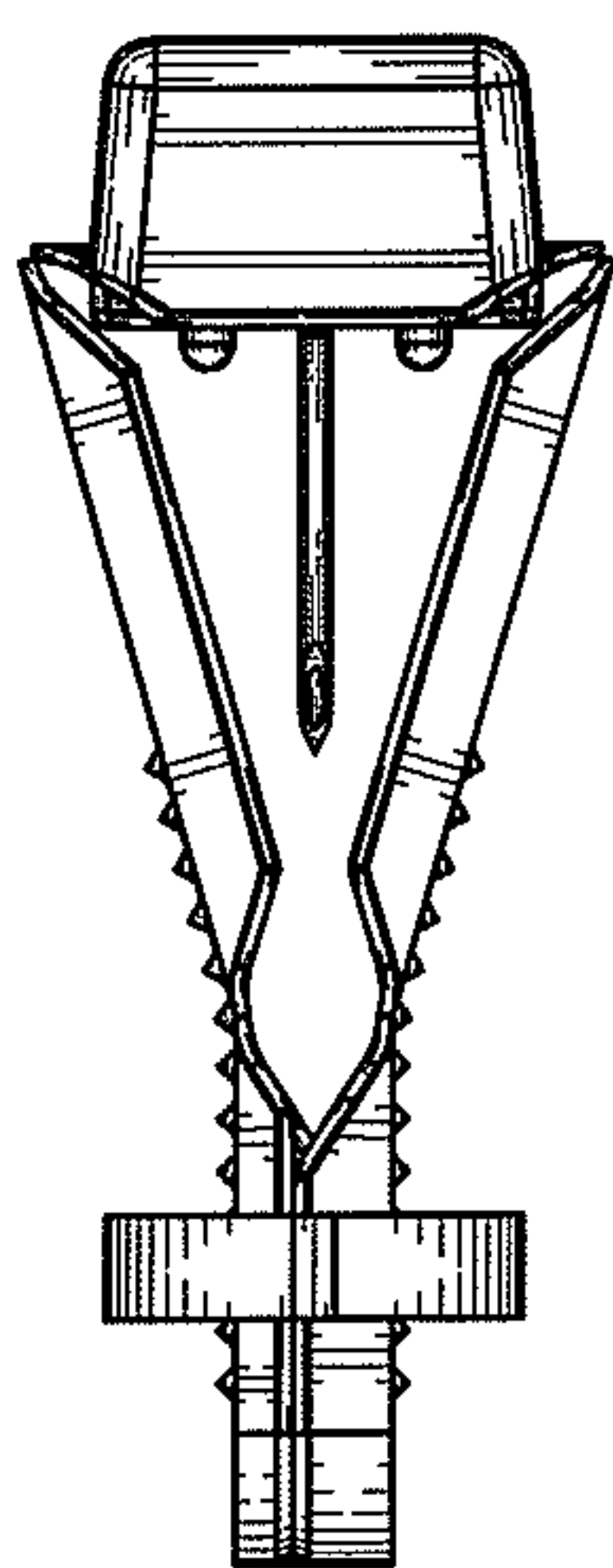


FIG. 27

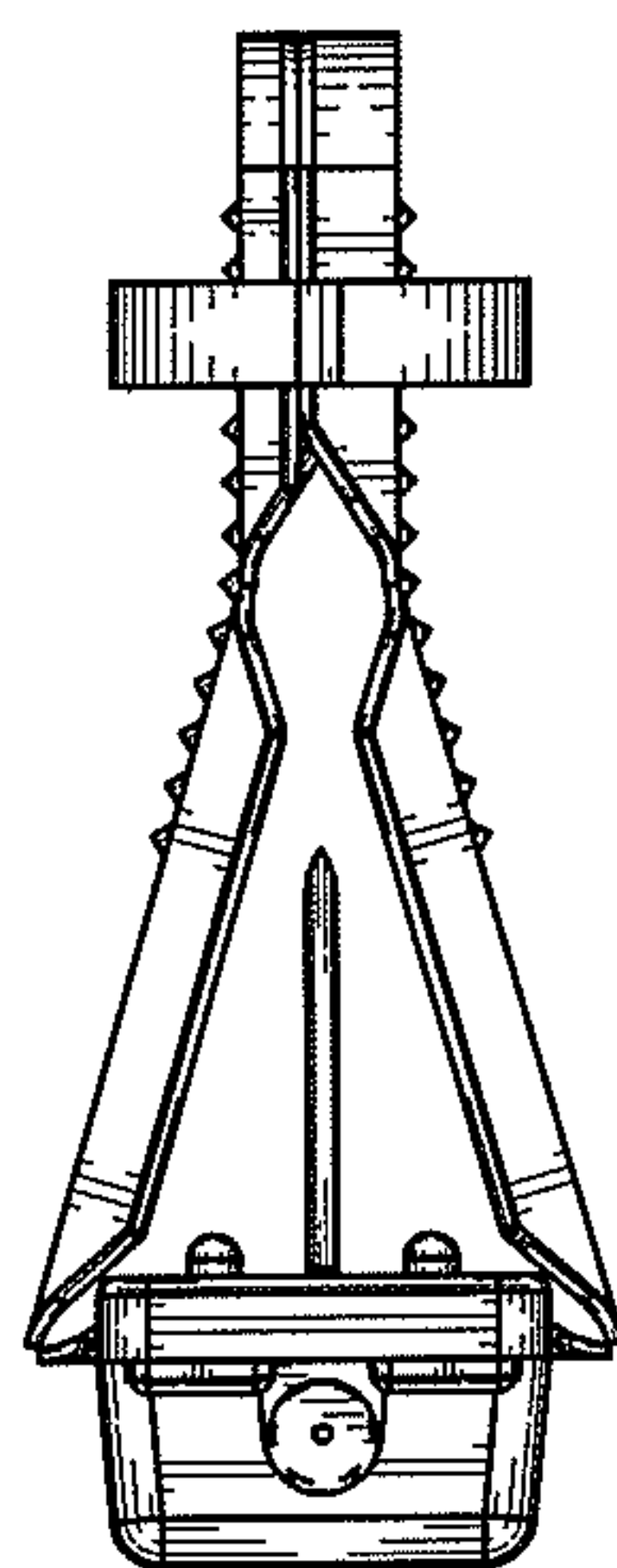


FIG. 28