



US00D714930S

(12) **United States Design Patent**  
**Kim et al.**

(10) **Patent No.:** **US D714,930 S**  
(45) **Date of Patent:** **\*\* Oct. 7, 2014**

(54) **RESERVOIR FOR WATER FLOSSER**

(71) Applicant: **Water Pik, Inc.**, Fort Collins, CO (US)

(72) Inventors: **Hyunchul Kim**, Chicago, IL (US);  
**Taiwon Choi**, Glenview, IL (US)

(73) Assignee: **Water Pik, Inc.**, Fort Collins, CO (US)

(\*\*) Term: **14 Years**

(21) Appl. No.: **29/466,132**

(22) Filed: **Sep. 4, 2013**

**Related U.S. Application Data**

(63) Continuation of application No. 13/831,401, filed on Mar. 14, 2013, and a continuation of application No. 29/449,265, filed on Mar. 14, 2013, and a continuation of application No. 29/449,273, filed on Mar. 14, 2013.

(51) **LOC (10) Cl.** ..... **24-02**

(52) **U.S. Cl.**  
USPC ..... **D24/111**

(58) **Field of Classification Search**  
CPC ... A61C 17/02; A61C 17/0205; A61H 13/005  
USPC ..... D24/110, 111, 121, 108; D7/384, 413;  
D23/356, 359, 360, 362; 433/80;  
601/162, 163, 165

See application file for complete search history.

(56) **References Cited**

**U.S. PATENT DOCUMENTS**

555,588 A 3/1896 Spencer  
1,278,225 A 9/1918 Schamberg  
1,464,419 A 8/1923 Gill  
1,498,267 A 6/1924 Hachman  
1,650,686 A 11/1927 Binks

1,681,320 A 8/1928 Bergl et al.  
1,933,454 A 10/1933 Sidney  
2,107,686 A 2/1938 Bramsen et al.  
2,230,238 A 2/1941 Duberstein et al.

(Continued)

**FOREIGN PATENT DOCUMENTS**

CA 851479 9/1970  
CH 655237 4/1987

(Continued)

**OTHER PUBLICATIONS**

RE27,274, 1/1972, Mattingly, (withdrawn).

(Continued)

*Primary Examiner* — Ian Simmons

*Assistant Examiner* — Richelle G Shelton

(74) *Attorney, Agent, or Firm* — Dorsey & Whitney LLP

(57) **CLAIM**

We claim the ornamental design for a reservoir for water flosser, substantially as shown and described.

**DESCRIPTION**

FIG. 1 is a front, left isometric view of a reservoir for water flosser.

FIG. 2 is a rear isometric view of the reservoir of FIG. 1.

FIG. 3 is a front elevation view of the reservoir of FIG. 1.

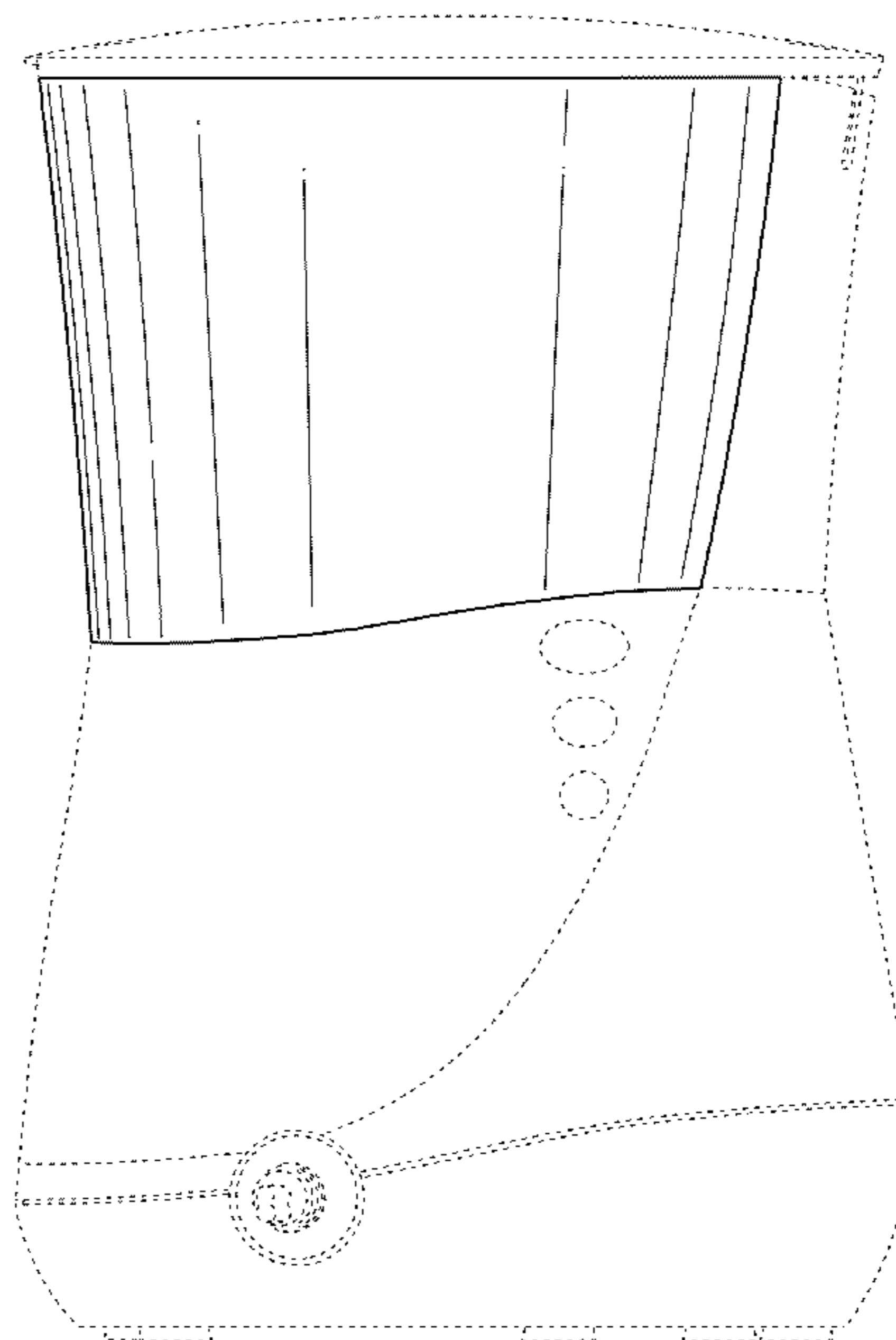
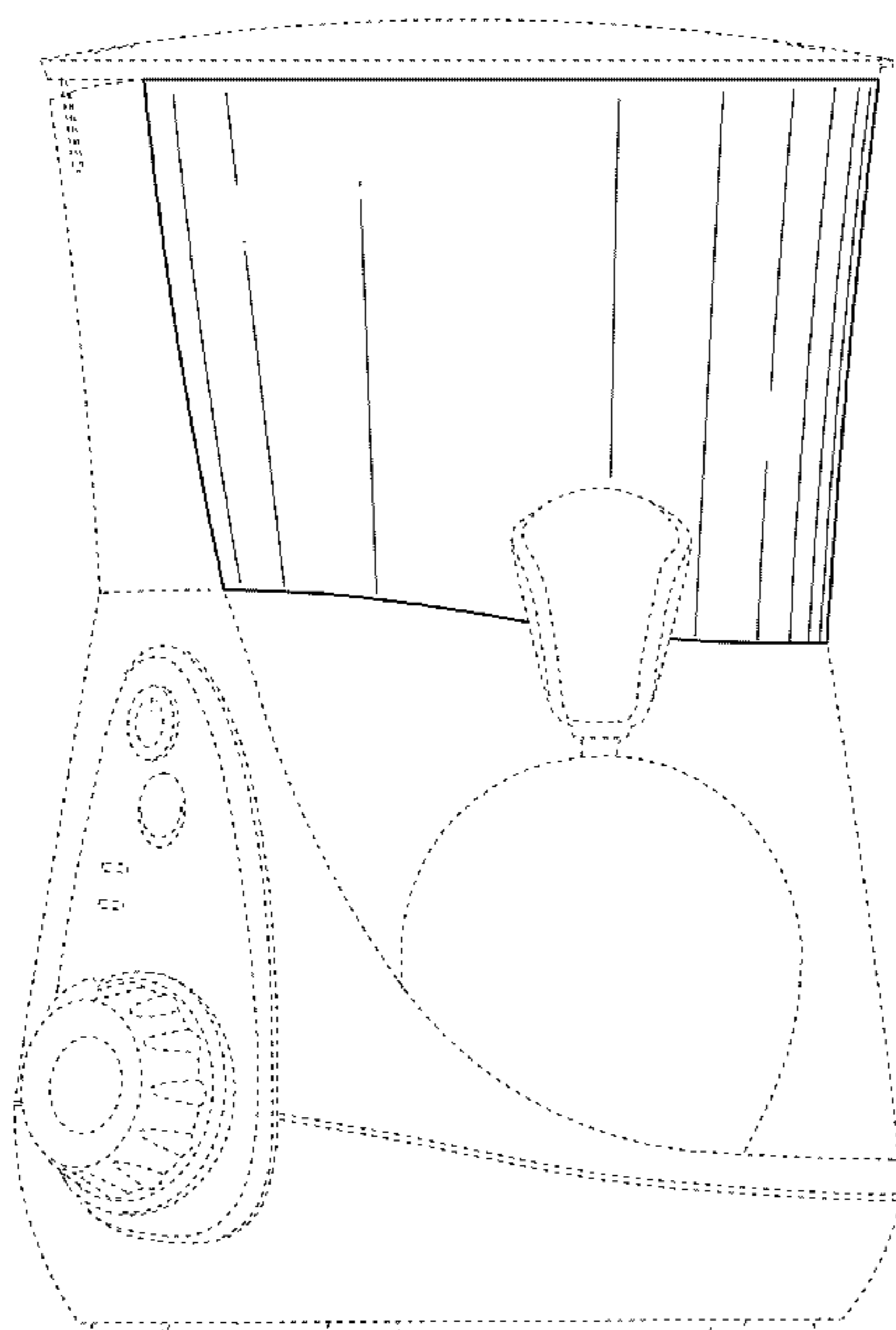
FIG. 4 is a rear elevation view of the reservoir of FIG. 1.

FIG. 5 is a right side elevation view of the reservoir of FIG. 1; and,

FIG. 6 is a left side elevation view of the reservoir of FIG. 1.

The broken line showing immediately adjacent to the shaded areas represents environmental structure and forms no part of the claimed design.

**1 Claim, 6 Drawing Sheets**



(56)

## References Cited

## U.S. PATENT DOCUMENTS

2,417,759 A	3/1947	Johnson	4,141,352 A	2/1979	Ebner et al.
2,669,233 A	2/1954	Friend	4,144,646 A	3/1979	Takemoto et al.
2,794,437 A	6/1954	Tash	4,149,315 A	4/1979	Page, Jr. et al.
2,783,919 A	3/1957	Ansell	4,154,375 A	5/1979	Bippus
2,984,452 A	5/1961	Hooper	4,160,383 A	7/1979	Rauschenberger
3,089,490 A	5/1963	Goldberg	4,182,038 A	1/1980	Fleer
3,096,913 A	7/1963	Jousson	4,201,200 A	5/1980	Hubner
3,144,867 A	8/1964	Trupp et al.	4,215,476 A	8/1980	Armstrong
3,209,956 A	10/1965	McKenzie	4,219,618 A	8/1980	Leonard
3,216,619 A	11/1965	Richards et al.	4,227,878 A	10/1980	Lohn
3,225,759 A	12/1965	Drapen et al.	4,229,634 A	10/1980	Hickman et al.
3,227,158 A	1/1966	Mattingly	4,236,889 A	12/1980	Wright
3,266,623 A	8/1966	Poferl	4,248,589 A	2/1981	Lewis
3,297,558 A	1/1967	Hillquist	4,249,899 A	2/1981	Davis
D208,778 S	10/1967	Koch	4,262,799 A	4/1981	Perrett
D209,204 S	11/1967	St. Clair et al.	4,266,934 A	5/1981	Pernot
D209,395 S	11/1967	Gilbert	4,276,023 A	6/1981	Phillips et al.
3,370,214 A	2/1968	Aymar	4,276,880 A	7/1981	Malmin
3,391,696 A	7/1968	Woodward	4,302,186 A	11/1981	Cammack et al.
3,400,999 A	9/1968	Goldstein	4,303,064 A	12/1981	Buffa
3,418,552 A	12/1968	Holmes	4,303,070 A	12/1981	Ichikawa et al.
3,420,228 A	1/1969	Kalbfeld	4,315,741 A	2/1982	Reichl
3,425,410 A *	2/1969	Cammack ..... 601/162	4,319,568 A	3/1982	Tregoning
3,453,969 A	7/1969	Mattingly	4,331,422 A	5/1982	Heyman
3,465,751 A	9/1969	Powers	4,337,040 A	6/1982	Cammack et al.
3,487,828 A	1/1970	Troy	4,340,365 A	7/1982	Pisanu
3,489,268 A	1/1970	Meierhoefer	4,340,368 A	7/1982	Lococo
3,496,933 A	2/1970	Lloyd	D266,117 S	9/1982	Oberheim
3,499,440 A	3/1970	Gibbs	4,363,626 A	12/1982	Schmidt et al.
3,500,824 A	3/1970	Gilbert	4,365,376 A	12/1982	Oda et al.
3,501,203 A	3/1970	Falk	4,370,131 A	1/1983	Banko
3,502,072 A	3/1970	Stillman	4,374,354 A	2/1983	Petrovic et al.
3,517,669 A	6/1970	Buono et al.	4,382,167 A	5/1983	Maruyama et al.
D218,270 S	8/1970	Soper	4,382,786 A	5/1983	Lohn
3,522,801 A	8/1970	Robinson	D270,000 S	8/1983	Ketler
3,532,221 A	10/1970	Kaluhiokalani et al.	4,412,823 A	11/1983	Sakai et al.
3,536,065 A	10/1970	Moret	4,442,830 A	4/1984	Markau
3,537,444 A	11/1970	Garn	4,442,831 A	4/1984	Trenary
3,538,950 A	11/1970	Porteners	4,452,238 A	6/1984	Kerr
3,547,110 A	12/1970	Balamuth	4,454,866 A	6/1984	Fayen
3,561,433 A	2/1971	Kovach	4,512,769 A	4/1985	Kozam et al.
3,572,375 A	3/1971	Rosenberg	4,517,962 A	5/1985	Heckele
3,578,884 A	5/1971	Jacobson	4,531,912 A	7/1985	Schuss et al.
3,583,609 A	6/1971	Oppenheimer	4,531,913 A	7/1985	Taguchi
3,590,813 A	7/1971	Roszyk	4,534,340 A	8/1985	Kerr et al.
3,608,548 A	9/1971	Lewis	4,552,130 A	11/1985	Kinoshita
3,636,947 A	1/1972	Balamuth	D283,374 S	4/1986	Cheuk-Yiu
3,651,576 A	3/1972	Massa	4,585,415 A	4/1986	Hommann
3,669,101 A	6/1972	Kleiner	4,591,777 A	5/1986	McCarty et al.
3,703,170 A	11/1972	Ryckman, Jr.	4,592,728 A	6/1986	Davis
3,747,595 A	7/1973	Grossan	4,602,906 A	7/1986	Grunenfelder
3,768,472 A	10/1973	Hodosh et al.	4,607,627 A	8/1986	Leber et al.
3,783,364 A	1/1974	Gallanis et al.	4,613,074 A	9/1986	Schulze
3,809,977 A	5/1974	Balamuth et al.	4,619,612 A	10/1986	Weber et al.
3,820,532 A	6/1974	Eberhardt et al.	4,629,425 A	12/1986	Detsch
3,827,147 A	8/1974	Condon	4,636,198 A	1/1987	Stade
3,840,795 A	10/1974	Roszyk et al.	4,644,937 A	2/1987	Hommann
3,854,209 A	12/1974	Franklin et al.	4,645,488 A	2/1987	Matukas
3,874,506 A	4/1975	Hill et al.	4,647,831 A	3/1987	O'Malley et al.
3,881,868 A	5/1975	Duke	4,648,838 A	3/1987	Schlachter
3,898,739 A	8/1975	Gayso	4,650,475 A	3/1987	Smith et al.
3,912,125 A	10/1975	Acklin	4,655,198 A	4/1987	Hommann
3,943,628 A	3/1976	Kronman et al.	4,669,453 A	6/1987	Atkinson et al.
3,973,558 A	8/1976	Stouffer et al.	4,672,953 A	6/1987	DiVito
4,001,526 A	1/1977	Olson	4,673,396 A	6/1987	Urbaniak
4,004,302 A	1/1977	Hori	D291,354 S	8/1987	Camens
4,007,739 A	2/1977	Bron et al.	4,716,352 A	12/1987	Hurn et al.
D246,667 S	12/1977	Mackay et al.	4,770,632 A	9/1988	Ryder et al.
4,060,870 A	12/1977	Cannarella	4,783,321 A	11/1988	Spence
4,075,761 A	2/1978	Behne et al.	4,787,845 A	11/1988	Valentine
4,078,558 A	3/1978	Woog et al.	4,787,847 A	11/1988	Martin et al.
4,108,167 A	8/1978	Hickman et al.	4,798,292 A	1/1989	Hauze
4,108,178 A	8/1978	Betush	4,803,974 A	2/1989	Powell
4,109,650 A	8/1978	Peclard	4,804,364 A	2/1989	Dieras et al.
4,135,501 A	1/1979	Leunissan	4,818,229 A	4/1989	Vasile
			4,820,152 A	4/1989	Warrin et al.
			4,821,923 A	4/1989	Skorka
			4,824,368 A	4/1989	Hickman
			4,826,431 A	5/1989	Fujimura et al.

(56)

References Cited

U.S. PATENT DOCUMENTS

4,832,683	A	5/1989	Idemoto et al.	D341,200	S	11/1993	Yoshimoto
4,854,869	A	8/1989	Lawhorn	5,257,933	A	11/1993	Jousson
4,861,340	A	8/1989	Smith et al.	D341,943	S	12/1993	Si-Hoe
4,862,876	A	9/1989	Lih-Sheng	5,267,586	A	12/1993	Jankavaara
4,869,720	A	9/1989	Chernack	5,269,684	A	12/1993	Fischer
4,880,382	A	11/1989	Moret et al.	5,281,137	A	1/1994	Jousson
4,886,452	A	12/1989	Lohn	5,281,139	A	1/1994	Frank et al.
4,900,252	A	2/1990	Liefke et al.	5,282,745	A	2/1994	Wiltrout et al.
4,902,225	A	2/1990	Lohn	5,286,192	A	2/1994	Dixon
4,903,687	A	2/1990	Lih-Sheng	5,286,201	A	2/1994	Yu
4,906,187	A	3/1990	Amadera	5,297,962	A	3/1994	O'Connor et al.
4,907,744	A	3/1990	Jousson	D346,212	S	4/1994	Hosl
4,925,450	A	5/1990	Imonti et al.	5,302,123	A	4/1994	Bechard
4,928,675	A	5/1990	Thornton	5,317,691	A	5/1994	Traeger
4,930,660	A	6/1990	Porteous	5,321,865	A	6/1994	Kaeser
4,941,459	A	7/1990	Mathur	5,331,704	A	7/1994	Rosen et al.
4,950,159	A	8/1990	Hansen	5,344,317	A	9/1994	Pacher et al.
4,958,629	A	9/1990	Peace et al.	5,346,677	A	9/1994	Risk
4,958,751	A	9/1990	Curtis et al.	D351,892	S	10/1994	Wolf et al.
4,959,199	A	9/1990	Brewer	5,360,338	A	11/1994	Waggoner
4,961,698	A	10/1990	Vlock	5,368,548	A	11/1994	Jousson
4,966,551	A	10/1990	Betush	5,370,534	A	12/1994	Wolf et al.
4,969,874	A	11/1990	Michel et al.	D354,168	S	1/1995	Hartwein
4,973,247	A	11/1990	Varnes et al.	5,378,149	A	1/1995	Stropko
4,973,250	A	11/1990	Milman	5,380,201	A	1/1995	Kawata
4,975,054	A	12/1990	Esrock	D356,864	S	3/1995	Woog
4,979,503	A	12/1990	Chernack	5,399,089	A	3/1995	Eichman et al.
4,979,504	A	12/1990	Mills	D358,883	S	5/1995	Vos
4,989,590	A	2/1991	Baum et al.	5,456,672	A	10/1995	Diederich et al.
4,998,880	A	3/1991	Nerli	5,465,445	A	11/1995	Yeh
5,013,241	A	5/1991	Von Gutfeld et al.	5,468,148	A	11/1995	Ricks
5,014,884	A	5/1991	Wunsch	5,470,305	A	11/1995	Arnett et al.
5,019,054	A	5/1991	Clement et al.	5,474,450	A	12/1995	Chronister
5,027,798	A	7/1991	Primiano	5,474,451	A	12/1995	Dalrymple et al.
5,029,576	A	7/1991	Evans, Sr.	5,476,379	A	12/1995	Disel
5,033,617	A	7/1991	Hartwein et al.	5,484,281	A	1/1996	Renow et al.
5,033,961	A	7/1991	Kankler et al.	5,487,877	A	1/1996	Choi
D318,918	S	8/1991	Hartwein	5,490,779	A	2/1996	Malmin
5,046,486	A	9/1991	Grulke et al.	5,505,916	A	4/1996	Berry, Jr.
5,049,071	A	9/1991	Davis et al.	D369,656	S	5/1996	Vos
5,060,825	A	10/1991	Palmer et al.	5,525,058	A	6/1996	Gallant et al.
5,062,795	A	11/1991	Woog	5,526,841	A	6/1996	Detsch et al.
5,064,168	A	11/1991	Raines et al.	5,540,587	A	7/1996	Malmin
D322,314	S	12/1991	Ohbayashi	5,547,374	A	8/1996	Coleman
5,082,115	A	1/1992	Hutcheson	D373,631	S	9/1996	Maeda et al.
5,082,443	A	1/1992	Lohn	5,554,025	A	9/1996	Kinsel
5,085,317	A	2/1992	Jensen et al.	5,556,001	A	9/1996	Weissman et al.
5,086,756	A	2/1992	Powell	5,564,629	A	10/1996	Weissman et al.
5,095,893	A	3/1992	Rawden, Jr.	D377,091	S	12/1996	Scott, Sr.
5,098,291	A	3/1992	Curtis et al.	5,616,028	A	4/1997	Hafele et al.
5,098,676	A	3/1992	Brooks, Jr.	5,634,791	A	6/1997	Matsuura et al.
5,125,835	A	6/1992	Young	5,636,987	A	6/1997	Serfaty
5,127,831	A	7/1992	Bab	5,640,735	A	6/1997	Manning
5,142,723	A	9/1992	Lustig et al.	5,653,591	A	8/1997	Loge
5,150,841	A	9/1992	Silvenis et al.	5,659,995	A	8/1997	Hoffman
5,172,810	A	12/1992	Brewer	5,667,483	A	9/1997	Santos
5,173,273	A	12/1992	Brewer	5,683,192	A	11/1997	Kilfoil
5,183,035	A	2/1993	Weir	5,685,829	A	11/1997	Allen
5,197,458	A	3/1993	Ito et al.	5,685,851	A	11/1997	Murphy et al.
5,197,460	A	3/1993	Ito et al.	5,697,784	A	12/1997	Hafele et al.
5,199,871	A	4/1993	Young	5,709,545	A	1/1998	Johnston et al.
5,203,697	A	4/1993	Malmin	5,716,007	A	2/1998	Nottingham et al.
5,203,769	A	4/1993	Clement et al.	5,718,668	A	2/1998	Arnett et al.
5,204,004	A	4/1993	Johnston et al.	5,746,595	A	5/1998	Ford
5,208,933	A	5/1993	Lustig et al.	5,749,726	A	5/1998	Kinsel
5,215,193	A	6/1993	Dennis	5,759,502	A	6/1998	Spencer et al.
5,218,956	A	6/1993	Handler et al.	5,779,654	A	7/1998	Foley et al.
5,220,914	A	6/1993	Thompson	5,795,153	A	8/1998	Rechmann
5,228,646	A	7/1993	Raines	5,833,065	A	11/1998	Burgess
5,230,624	A	7/1993	Wolf et al.	5,836,030	A	11/1998	Hazeu et al.
5,232,687	A	8/1993	Geimer	5,851,079	A	12/1998	Horstman et al.
5,235,968	A	8/1993	Woog	D403,511	S	1/1999	Serbinski
5,241,714	A	9/1993	Barry	D406,334	S	3/1999	Rosenthal et al.
5,246,367	A	9/1993	Ito et al.	5,876,201	A	3/1999	Wilson et al.
5,252,064	A	10/1993	Baum et al.	D408,511	S	4/1999	Allen et al. .... D23/356
				5,901,397	A	5/1999	Hafele et al.
				5,934,902	A	8/1999	Abahusayn
				D413,975	S	9/1999	Maeda
				D417,082	S	11/1999	Classen et al.

(56)

References Cited

U.S. PATENT DOCUMENTS

5,993,402 A	11/1999	Sauer et al.	D530,010 S	10/2006	Luetzgen et al.
6,030,215 A	2/2000	Ellion et al.	7,117,555 B2	10/2006	Fattori et al.
6,039,180 A	3/2000	Grant	D533,720 S	12/2006	Vu
D425,615 S	5/2000	Bachman et al.	7,147,468 B2	12/2006	Snyder et al.
D425,981 S	5/2000	Bachman et al.	D538,474 S	3/2007	Sheppard et al.
6,056,710 A	5/2000	Bachman et al.	D548,334 S	8/2007	Izumi
D426,633 S	6/2000	Bachman et al.	D550,097 S	9/2007	Lepoitevin
6,089,865 A	7/2000	Edgar	7,276,035 B2	10/2007	Lu
6,124,699 A	9/2000	Suzuki et al.	7,314,456 B2	1/2008	Shaw
D434,500 S	11/2000	Pollock et al.	D565,175 S *	3/2008	Boyd et al. .... D24/111
6,159,006 A	12/2000	Cook et al.	7,344,510 B1	3/2008	Yande
6,164,967 A	12/2000	Sale et al.	D565,713 S	4/2008	Gao
D435,905 S	1/2001	Bachman et al.	7,367,803 B2	5/2008	Egeresi
6,193,512 B1	2/2001	Wallace	D574,952 S	8/2008	Boyd et al.
6,193,932 B1	2/2001	Wu et al.	D577,198 S	9/2008	Jimenez
6,199,239 B1	3/2001	Dickerson	D577,814 S *	9/2008	Seki et al. .... D24/107
D439,781 S	4/2001	Spore	D581,279 S	11/2008	Oates
6,217,835 B1	4/2001	Riley et al.	7,455,521 B2	11/2008	Fishburne, Jr.
D441,861 S	5/2001	Hafliger	7,469,440 B2	12/2008	Boland et al.
6,233,773 B1	5/2001	Karge et al.	7,500,584 B2	3/2009	Schultz
6,234,205 B1	5/2001	D'Amelio et al.	D590,492 S	4/2009	Powell
6,237,178 B1	5/2001	Krammer et al.	D595,136 S	6/2009	Canamasas Puigbo
6,247,929 B1	6/2001	Bachman et al.	D601,697 S	10/2009	Sobiech et al.
D448,236 S	9/2001	Murray	D603,708 S	11/2009	Handy
6,293,792 B1	9/2001	Hanson	7,670,141 B2	3/2010	Thomas et al.
D449,884 S	10/2001	Tobin et al.	7,677,888 B1	3/2010	Halm
D453,453 S	2/2002	Lun	D613,550 S	4/2010	Picozza et al.
6,363,565 B1	4/2002	Paffrath	D621,949 S *	8/2010	Seki et al. .... D24/209
6,468,482 B1	10/2002	Frieze et al.	7,814,585 B1	10/2010	Reich
6,475,173 B1 *	11/2002	Bachman et al. .... 601/162	D629,884 S	12/2010	Stephens
6,485,451 B1	11/2002	Roberts et al.	7,862,536 B2	1/2011	Chen et al.
6,497,572 B2	12/2002	Hood et al.	7,878,403 B2	2/2011	Hennick et al.
6,502,584 B1	1/2003	Fordham	7,959,597 B2	6/2011	Baker et al.
D470,660 S	2/2003	Schaber	D640,872 S	7/2011	Nanda
6,558,344 B2	5/2003	McKinnon et al.	D648,539 S	11/2011	Wai
6,561,808 B2	5/2003	Neuberger et al.	8,113,832 B2	2/2012	Snyder et al.
D475,346 S	6/2003	McCurrach et al.	D666,912 S	9/2012	Kawai
6,589,477 B1	7/2003	Frieze et al.	D669,169 S	10/2012	Washington et al.
6,602,071 B1	8/2003	Ellion et al.	D670,373 S	11/2012	Taylor et al.
6,632,091 B1	10/2003	Cise et al.	D670,958 S	11/2012	Picozza et al.
D482,451 S	11/2003	Page et al.	8,403,665 B2	3/2013	Thomas et al.
6,640,999 B2	11/2003	Peterson	8,408,483 B2	4/2013	Boyd et al.
6,647,577 B2	11/2003	Tam	2003/0098249 A1	5/2003	Rollock
6,659,674 B2	12/2003	Carlucci et al.	2003/0204155 A1	10/2003	Egeresi
6,669,059 B2	12/2003	Mehta	2003/0213075 A1	11/2003	Hui et al.
D486,573 S	2/2004	Callaghan et al.	2004/0045107 A1	3/2004	Egeresi
6,689,078 B1	2/2004	Rehkemper et al.	2004/0076921 A1	4/2004	Gofman et al.
6,699,208 B2	3/2004	Bachman et al.	2004/0122377 A1	6/2004	Fischer et al.
6,719,561 B2	4/2004	Gugel et al.	2004/0209222 A1	10/2004	Snyder et al.
D489,183 S	5/2004	Akahori et al.	2005/0049620 A1	3/2005	Chang
6,739,782 B1	5/2004	Rehkemper et al.	2005/0101894 A1	5/2005	Hippensteel
6,740,053 B2	5/2004	Kaplowitz	2005/0271531 A1	12/2005	Brown et al.
D490,899 S	6/2004	Gagnon	2006/0008373 A1	1/2006	Schutz
D491,728 S	6/2004	Jimenez	2006/0021165 A1	2/2006	Boland et al.
D492,996 S	7/2004	Rehkemper et al.	2006/0026784 A1	2/2006	Moskovich et al.
6,761,324 B2	7/2004	Chang	2006/0057539 A1	3/2006	Sodo
6,766,549 B2	7/2004	Klupt	2006/0078844 A1	4/2006	Goldman et al.
D495,142 S	8/2004	Berde	2006/0079818 A1	4/2006	Yande
D495,143 S	8/2004	Berde	2007/0082316 A1	4/2007	Zhadanov et al.
6,779,216 B2	8/2004	Davies et al.	2007/0113360 A1	5/2007	Tsai
6,783,004 B1	8/2004	Rinner	2007/0202459 A1	8/2007	Boyd et al.
6,783,505 B1	8/2004	Lai	2007/0203439 A1 *	8/2007	Boyd et al. .... 601/162
6,796,796 B2	9/2004	Segal	2007/0254260 A1	11/2007	Alden
D498,643 S	11/2004	Pryor	2008/0008979 A1	1/2008	Thomas et al.
6,814,259 B1	11/2004	Foster et al.	2009/0070949 A1	3/2009	Sagel et al.
D499,885 S	12/2004	Xi	2009/0082706 A1	3/2009	Shaw
6,835,181 B2	12/2004	Hippensteel	2009/0124945 A1	5/2009	Reich et al.
D500,599 S	1/2005	Callaghan	2009/0163839 A1	6/2009	Alexander
6,837,708 B2	1/2005	Chen et al.	2009/0281454 A1	11/2009	Baker et al.
6,884,069 B2	4/2005	Goldman	2010/0015566 A1	1/2010	Shaw
6,907,879 B2	6/2005	Drinan et al.	2010/0190132 A1	7/2010	Taylor et al.
D509,585 S	9/2005	Kling et al.	2010/0239998 A1	9/2010	Snyder et al.
D513,638 S	1/2006	Pan	2010/0261134 A1	10/2010	Boyd et al.
7,080,980 B2	7/2006	Klupt	2010/0261137 A1	10/2010	Boyd et al.
D529,661 S	10/2006	Schmidt	2010/0326536 A1	12/2010	Nan
			2010/0330527 A1	12/2010	Boyd et al.
			2011/0027749 A1	2/2011	Syed
			2011/0097683 A1	4/2011	Boyd et al.
			2011/0139826 A1	6/2011	Hair et al.

(56)

**References Cited**

U.S. PATENT DOCUMENTS

2011/0144588	A1	6/2011	Taylor et al.	
2011/0184341	A1	7/2011	Baker et al.	
2012/0021374	A1	1/2012	Cacka et al.	
2012/0045730	A1*	2/2012	Sayder et al.	433/29
2012/0077145	A1	3/2012	Tsurukawa	
2012/0277677	A1	11/2012	Taylor et al.	
2012/0277678	A1	11/2012	Taylor et al.	
2012/0295220	A1	11/2012	Thomas et al.	

FOREIGN PATENT DOCUMENTS

DE	DT1466963	5/1969
DE	DT2409752	9/1975
DE	2545936	4/1977
DE	2910982	2/1980
EP	0023672	7/1980
FR	2556954	6/1985
FR	2654627	5/1991
GB	1182031	2/1970
GB	2018605	10/1979
JP	2-134150	4/1990
JP	2009-39455	2/2009
WO	WO95/16404	6/1995
WO	WO2004/021958	3/2004
WO	WO2004/039205	5/2004

OTHER PUBLICATIONS

The Right Tool, Electron Fusion Devices, Inc., 2 pages, at least as early as Feb. 1991.  
 Japanese Packaging, 2 pages, at least as early as Dec. 2002.  
 Japanese Instruction Brochure, 20 pages, at least as early as Dec. 2002.

Brochure: Woog International, "You have a 98% chance of getting gum disease. Unless you read this.", Lancaster, Pennsylvania, 5 pages, Feb. 1987.

Brochure: Woog International, "We put the control of home dental care back into the hands of the professional", Lancaster, Pennsylvania, 2 pages, Feb. 1987.

Brochure: Woog International, "Products at a Glance: Home Dental Care System" Woog Orajet, 3 pages, at least as early as Dec. 18, 1998.

Website: [http://www.just4teeth.com/product/Panasonic/Panasonic\\_Portable\\_Irrigator.htm](http://www.just4teeth.com/product/Panasonic/Panasonic_Portable_Irrigator.htm), 2 pages, at least as early as Jun. 20, 2003.

Website: [http://www.videodirectstore.com/store/merchant\\_mv?Screen=PROD&Product\\_Code=EW1](http://www.videodirectstore.com/store/merchant_mv?Screen=PROD&Product_Code=EW1) . . . , 2 pages, at least as early as Jun. 20, 2003.

Website: <http://products.consumerguide.com/cp/family/review/index.cfm/id/18742>, 2 pages, at least as early as Jun. 20, 2003.

Website: <http://www.racekarteng.com/images/walbroparts.gif> and <http://www.muller.net/mullermachine/docs/walbro1.html>, 4 pages, at least as early as Jun. 20, 2003.

European Search Report, EPO Application No. 07250799.9, Jul. 5, 2007.

European Search Report, EPO Application No. 07252693.2, 14 pages, Apr. 28, 2008.

European Examination Report, EPO Application No. 07250799.9, Feb. 5, 2009.

International Search Report, Application No. PCT/US2010/028180, 2 pages, May 18, 2010.

International Search Report, PCT/US2010/060800, 2 pages, Feb. 11, 2011.

International Search Report, PCT/US2011/052795, 10 pages, Jan. 17, 2012.

Waterpik SinuSense Website: <http://www.insightsbyapril.com/2012/03/waterpik-natural-remedy-for-sinus.html>, 8 pages, retrieved on May 31, 2012.

\* cited by examiner

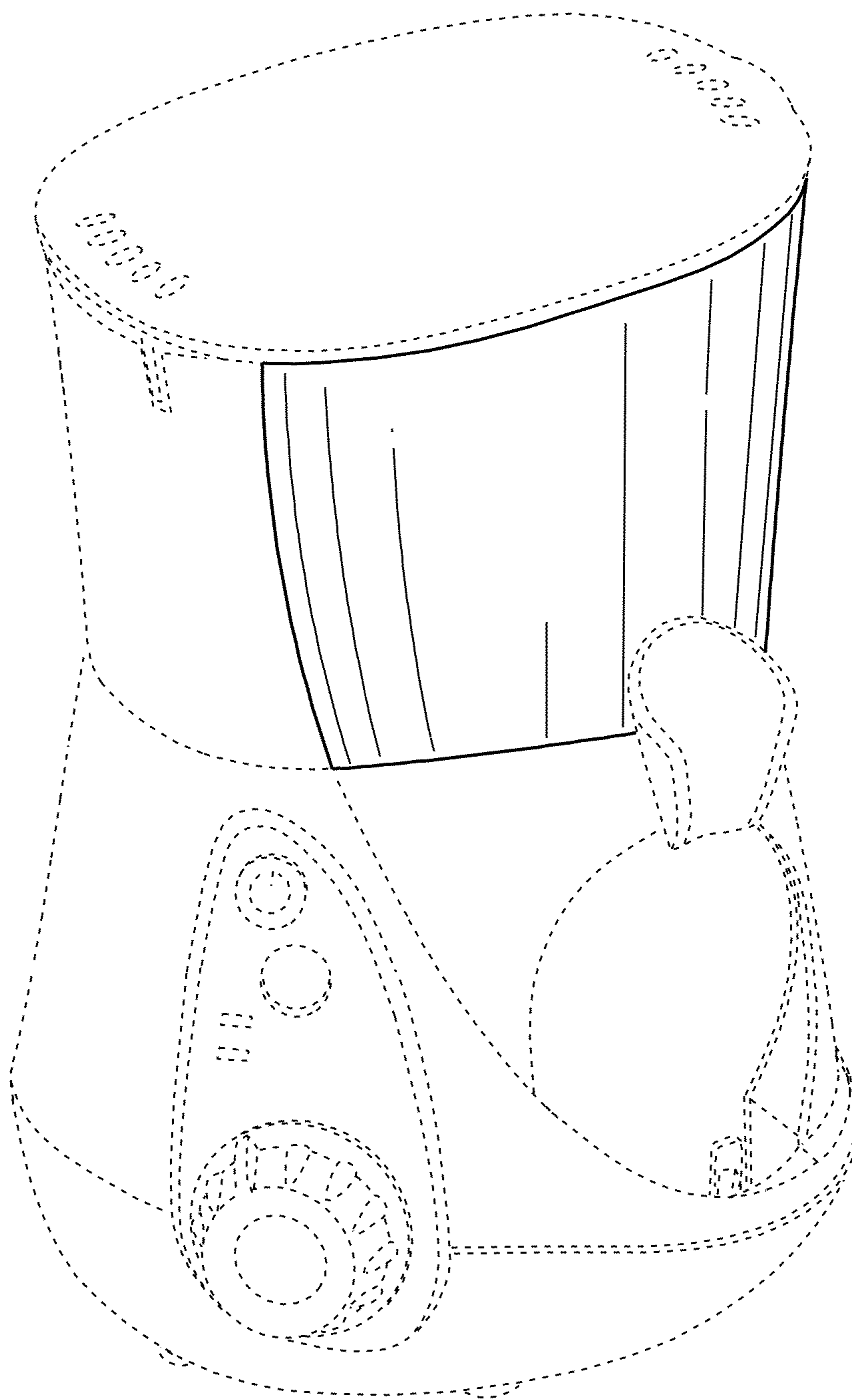


FIG. 1

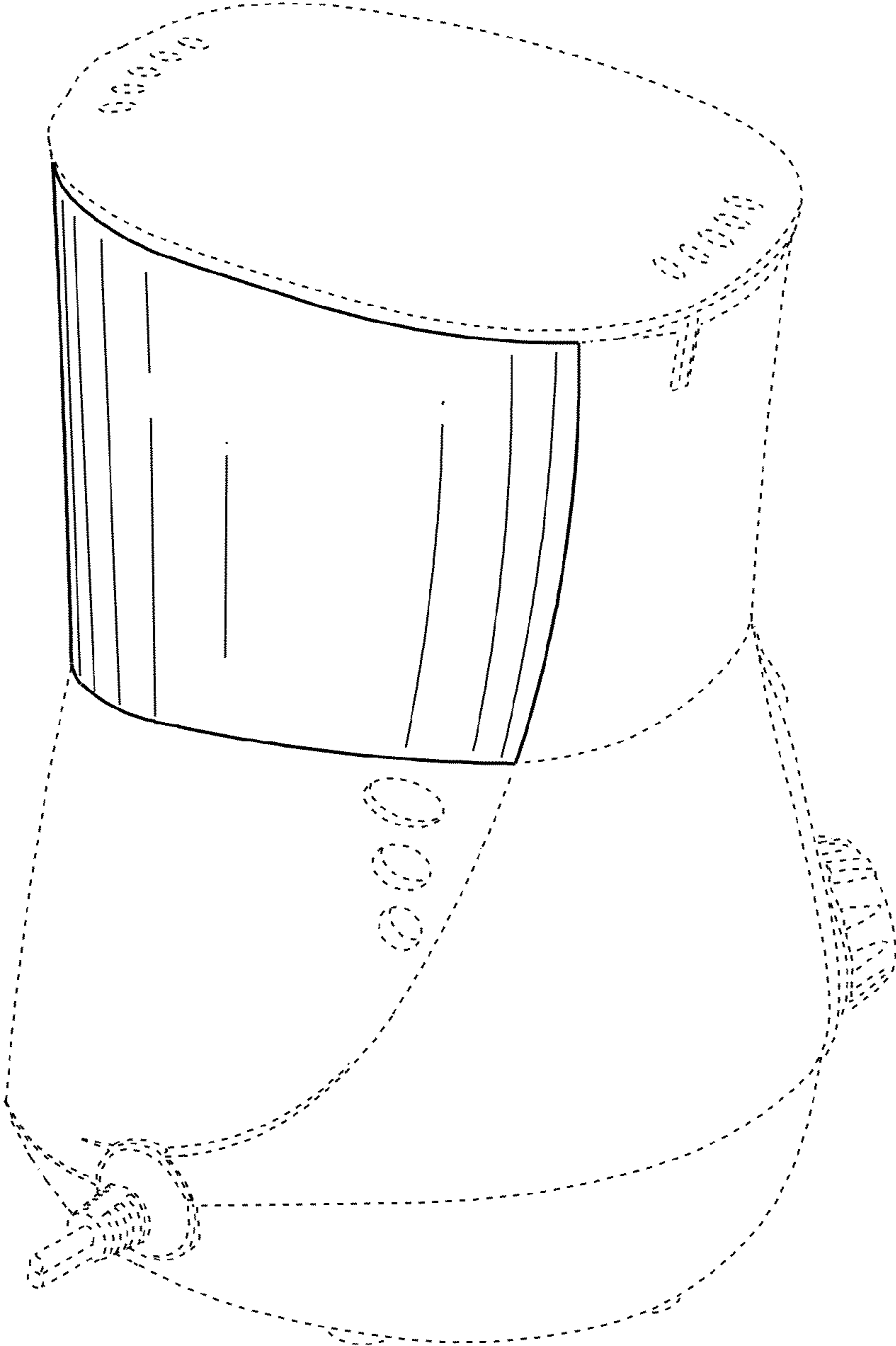


FIG. 2

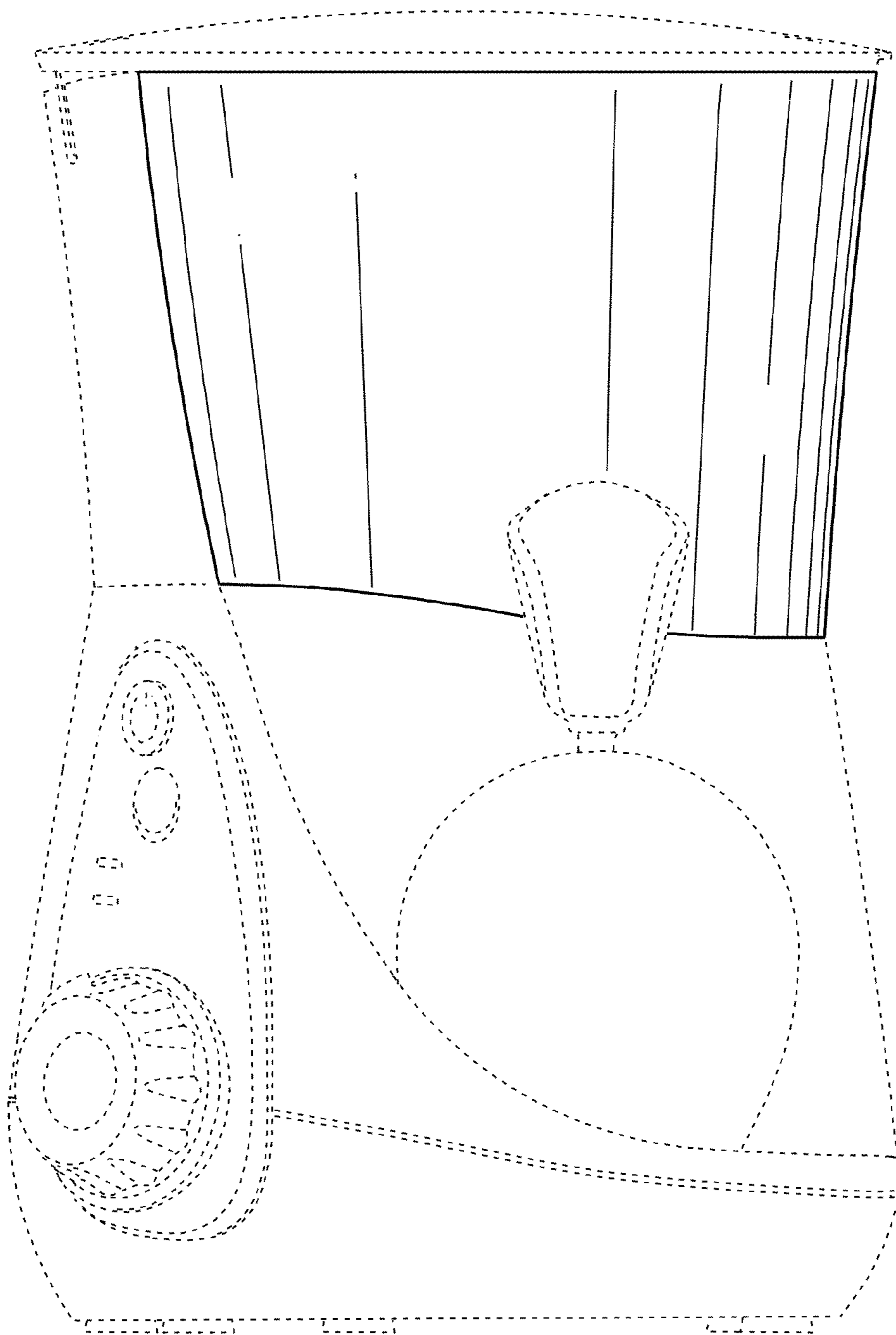


FIG. 3



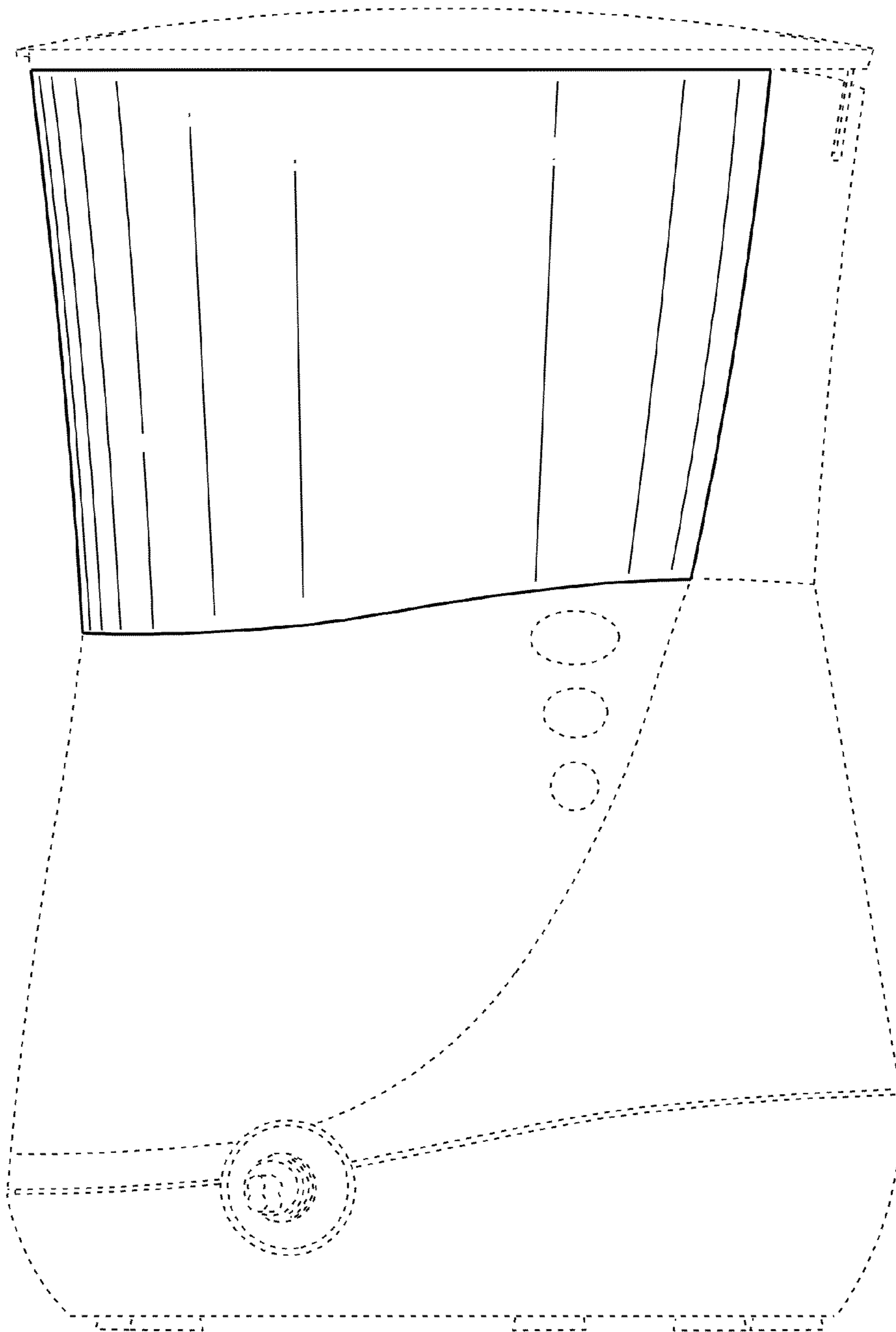


FIG. 4

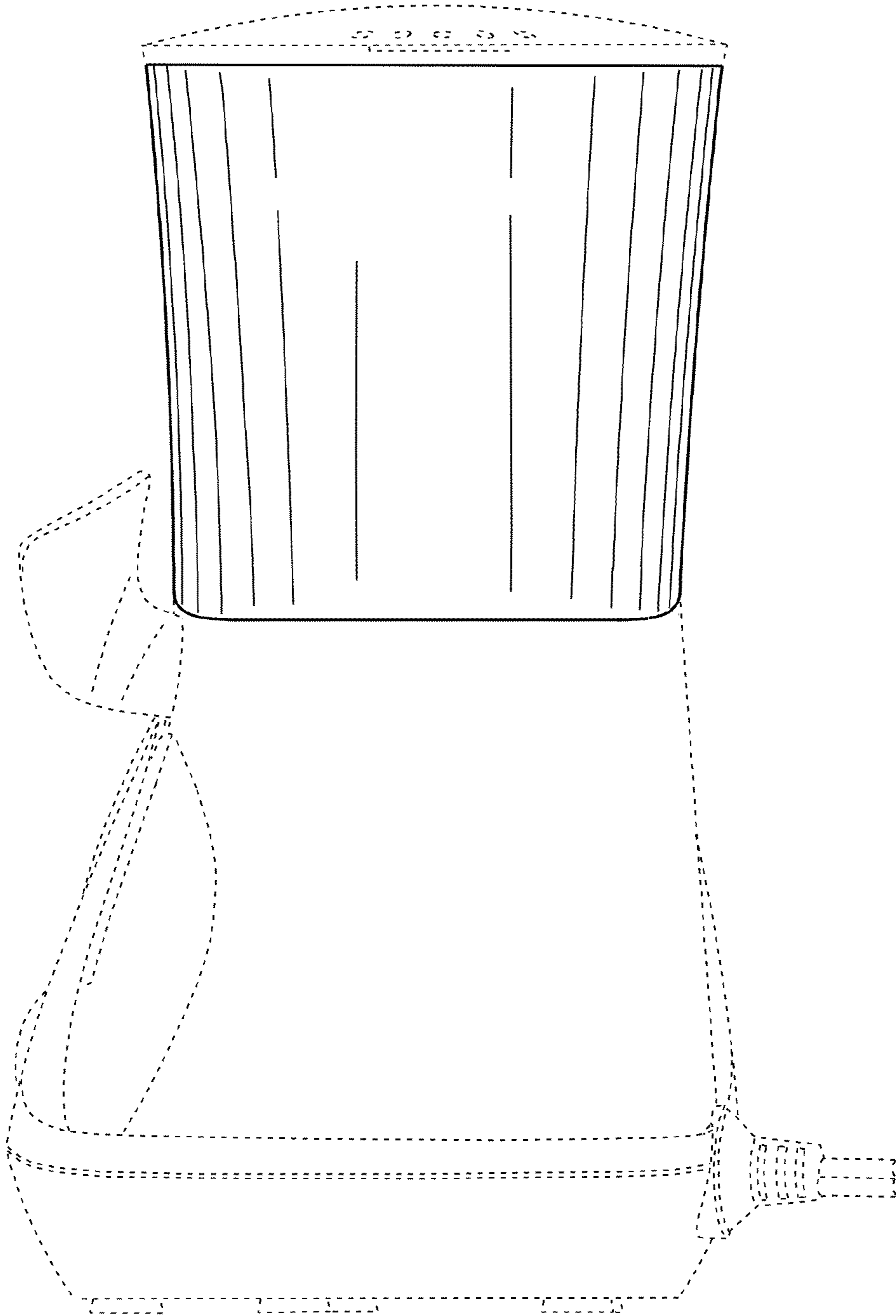


FIG. 5

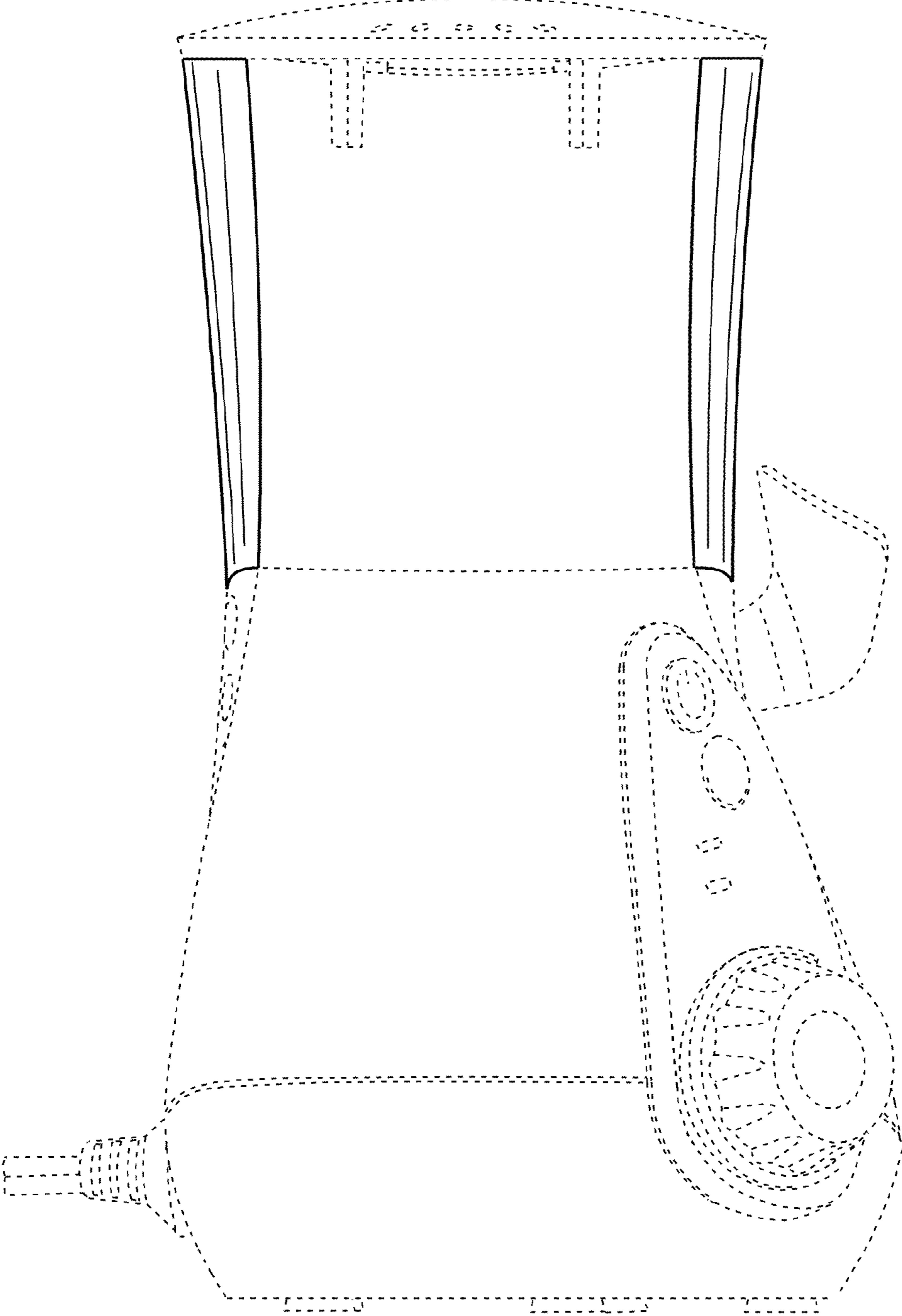


FIG. 6

UNITED STATES PATENT AND TRADEMARK OFFICE  
**CERTIFICATE OF CORRECTION**

PATENT NO. : D714,930 S  
APPLICATION NO. : 29/466132  
DATED : October 7, 2014  
INVENTOR(S) : Hyunchul Kim et al.

Page 1 of 1

It is certified that error appears in the above-identified patent and that said Letters Patent is hereby corrected as shown below:

TITLE PAGE: ITEM 63 should read

Related U.S. Application Data

(63) Continuation of application no. 29/449,265, filed on Mar. 14, 2013, and a continuation of application no. 29/449,273, filed Mar. 14, 2013, and a continuation in part of application no. 13/831,401, filed Mar. 14, 2013.

Signed and Sealed this  
Tenth Day of March, 2015



Michelle K. Lee  
*Deputy Director of the United States Patent and Trademark Office*