



US00D714928S

(12) **United States Design Patent**
Urano

(10) **Patent No.:** **US D714,928 S**

(45) **Date of Patent:** **** Oct. 7, 2014**

(54) **AIR-CONDITIONING OUTLET**

(71) Applicant: **Kimura Kohki Co., Ltd.**, Osaka (JP)

(72) Inventor: **Katsuhiro Urano**, Osaka (JP)

(73) Assignee: **Kimura Kohki Co., Ltd.**, Osaka (JP)

(**) Term: **14 Years**

(21) Appl. No.: **29/433,053**

(22) Filed: **Sep. 25, 2012**

(30) **Foreign Application Priority Data**

May 28, 2012 (JP) 2012-012427

May 28, 2012 (JP) 2012-012430

(51) **LOC (10) Cl.** **23-04**

(52) **U.S. Cl.**
USPC **D23/388**

(58) **Field of Classification Search**
USPC D23/385–395, 397, 370–373, 365, 354,
D23/399–403, 421, 499; 454/309, 275–277,
454/284, 287–291, 358–363; 52/302.1,
52/32.07; 285/229, 189, 183, 123.1, 15,
285/114, 110, 424, 197; 165/59; 62/262

See application file for complete search history.

(56) **References Cited**

U.S. PATENT DOCUMENTS

D296,584 S *	7/1988	Hilton	D23/370
D325,431 S *	4/1992	Novobilski	D23/365
D332,305 S *	1/1993	Karlsson	D23/371
D338,713 S *	8/1993	Cox et al.	D23/328
5,790,748 A *	8/1998	Tamhane	392/366
D469,173 S *	1/2003	Kawanori et al.	D23/351
6,637,232 B1 *	10/2003	Harshberger et al.	62/285
D520,134 S *	5/2006	DePierro	D23/395
D522,126 S *	5/2006	DePierro	D23/395
D604,403 S *	11/2009	Grobleben	D23/371

(Continued)

Primary Examiner — David Muller

(74) *Attorney, Agent, or Firm* — Marshall, Gerstein & Borun LLP

(57) **CLAIM**

The ornamental design for an air-conditioning outlet, as shown and described.

DESCRIPTION

FIG. 1 is a front, bottom, and right-side perspective view of the air conditioning outlet.

FIG. 2 is a front elevation view of the air conditioning outlet, the back being a mirror image of the front.

FIG. 3 is a left-side elevation view of the air conditioning outlet.

FIG. 4 is a right-side elevation view of the air conditioning outlet.

FIG. 5 is a top plan view of the air conditioning outlet.

FIG. 6 is a bottom plan view of the air conditioning outlet.

FIG. 7 is a front, bottom, and right-side perspective view of the air conditioning outlet of FIG. 1 shown in a different environment.

FIG. 8 is a front elevation view of the air conditioning outlet of FIG. 7, the back being a mirror image of the front.

FIG. 9 is a left-side elevation view of the air conditioning outlet of FIG. 7.

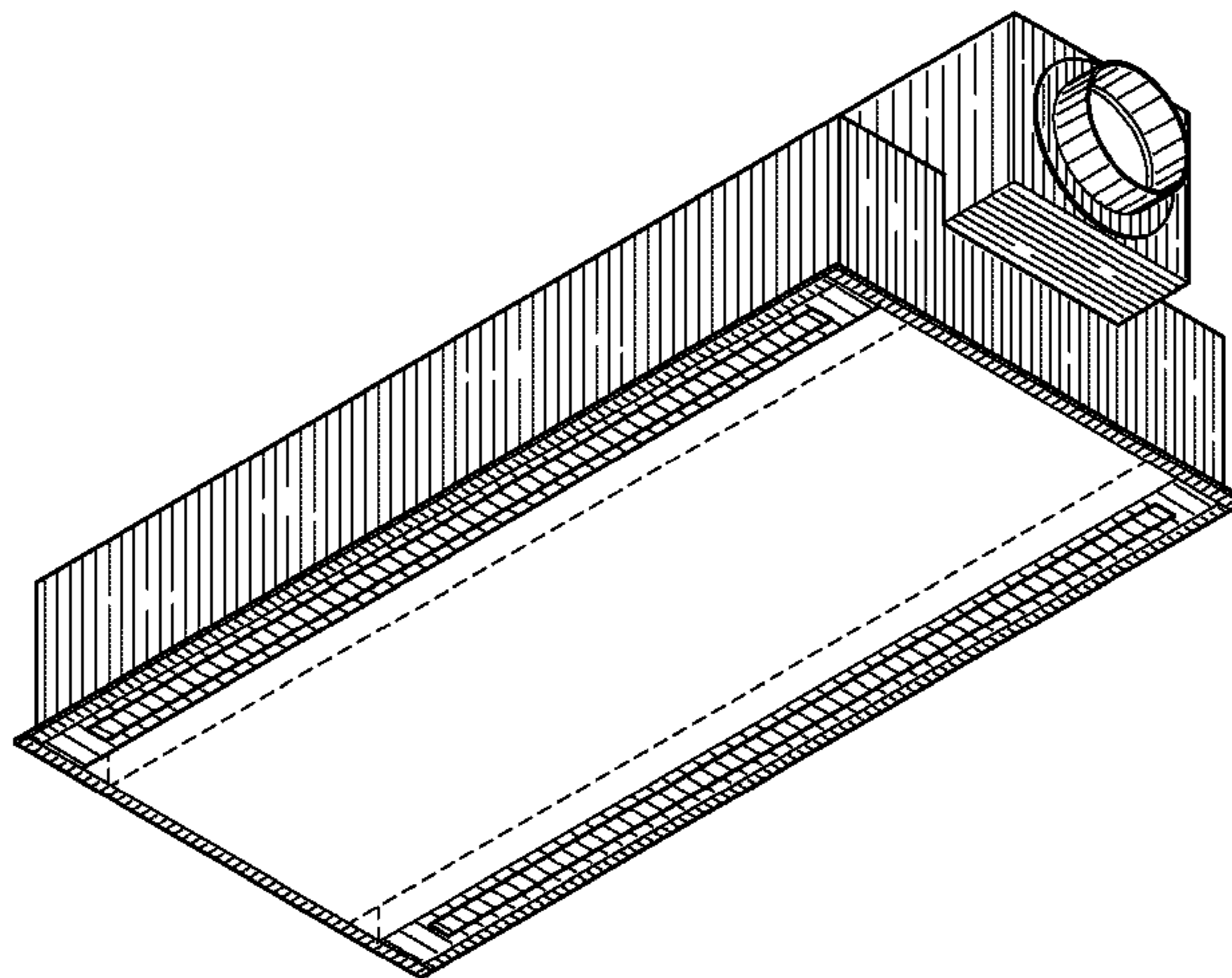
FIG. 10 is a right-side elevation view of the air conditioning outlet of FIG. 7.

FIG. 11 is a top plan view of the air conditioning outlet of FIG. 7; and,

FIG. 12 is a bottom plan view of the air conditioning outlet of FIG. 7.

The broken lines are intended to show elements of the air-conditioning outlet, and form no part of the claimed design. The elongated rectangular elements on either side of the bottom of the air-conditioning unit may be made of white/translucent material.

1 Claim, 6 Drawing Sheets



US D714,928 S

Page 2

(56)

References Cited

U.S. PATENT DOCUMENTS

	8,230,693 B2 *	7/2012	Tsuji et al.	62/262
	8,342,233 B2 *	1/2013	Kjellerstedt et al.	165/47
	8,574,047 B2 *	11/2013	Balbo Di Vinadio et al.	454/252
D629,883 S *	12/2010	Kimura et al.	D23/388	* cited by examiner

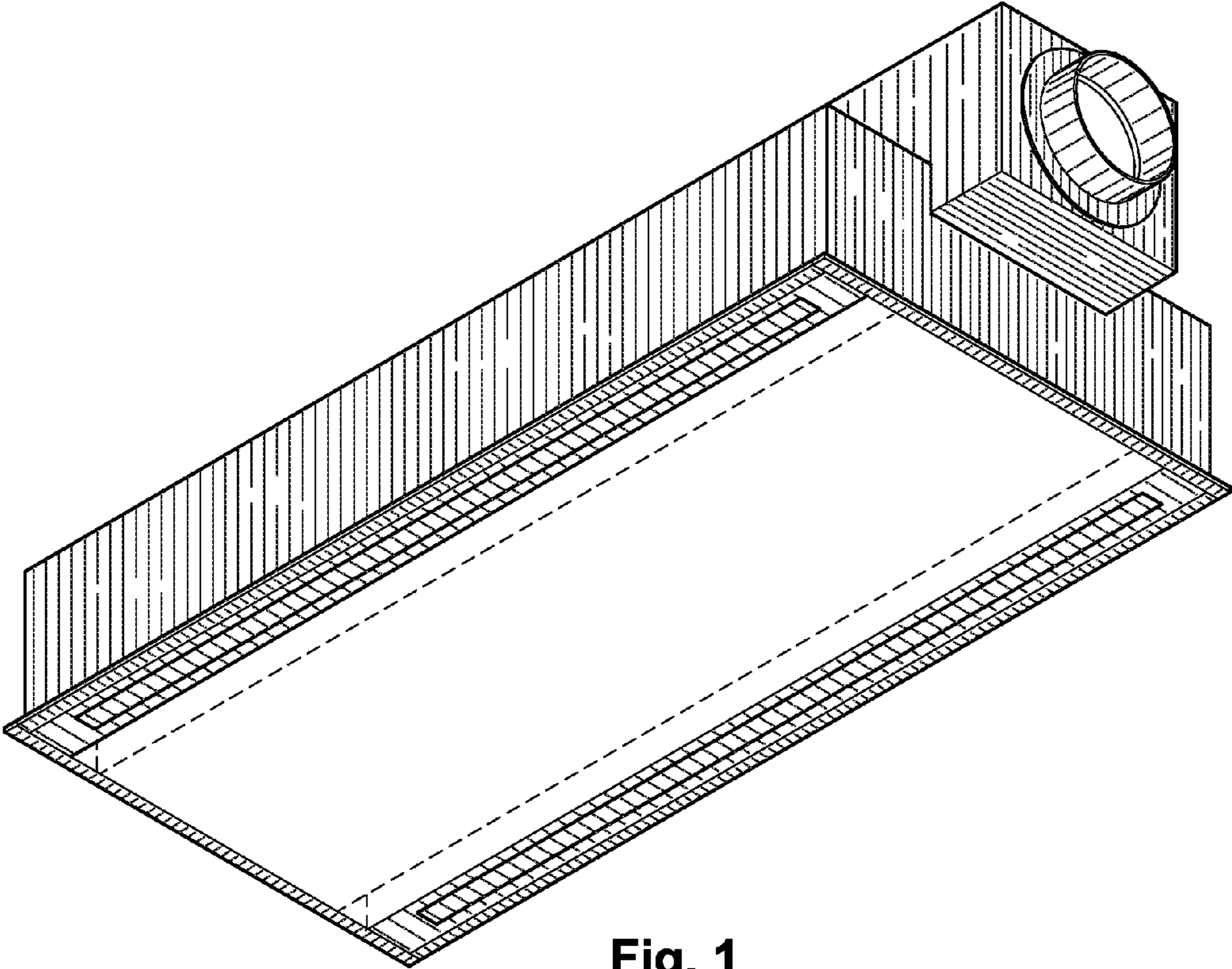


Fig. 1

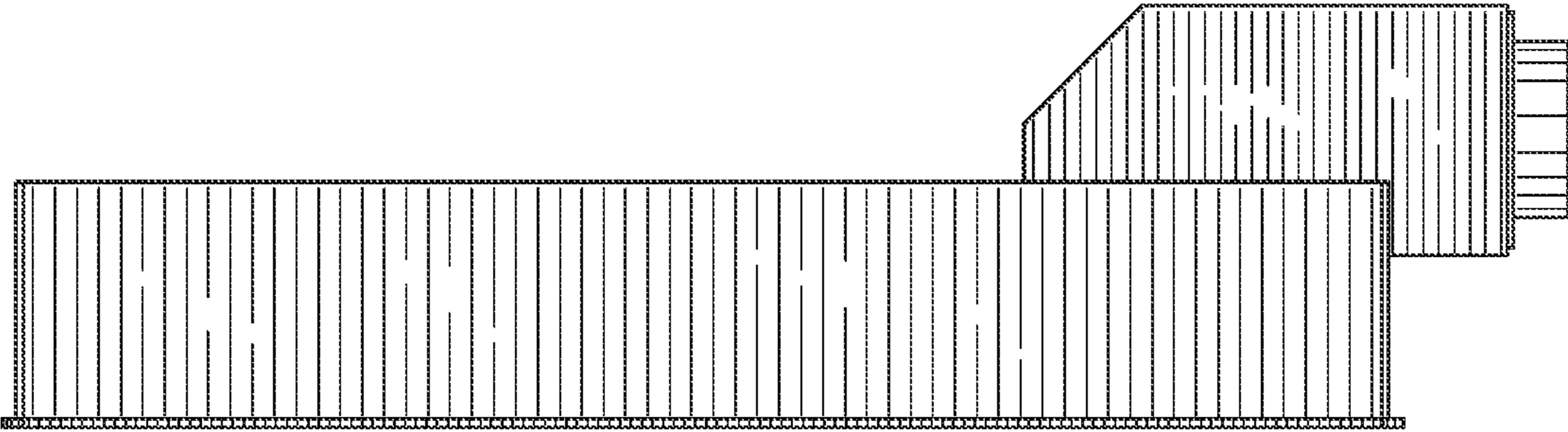


Fig. 2

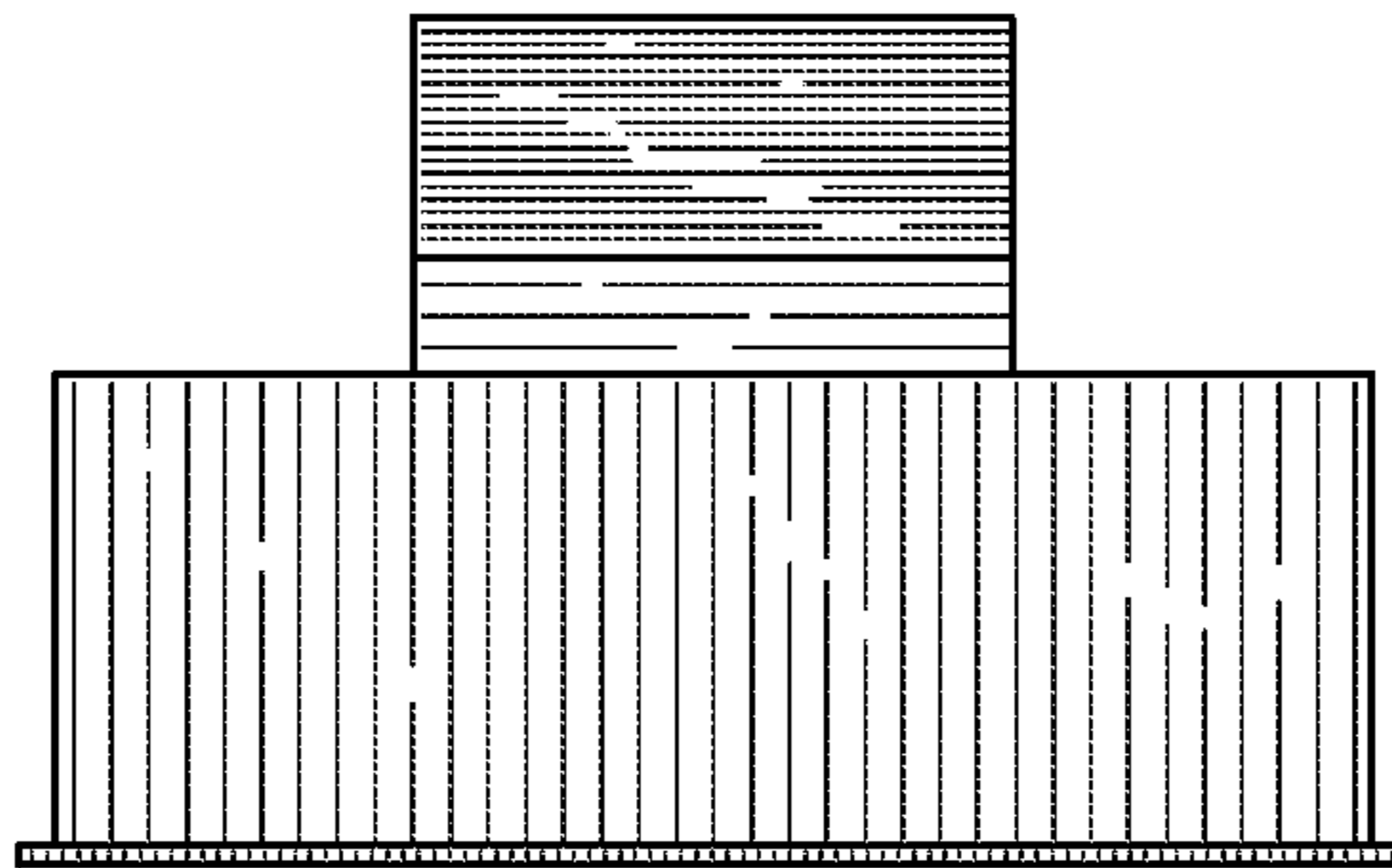


Fig. 3

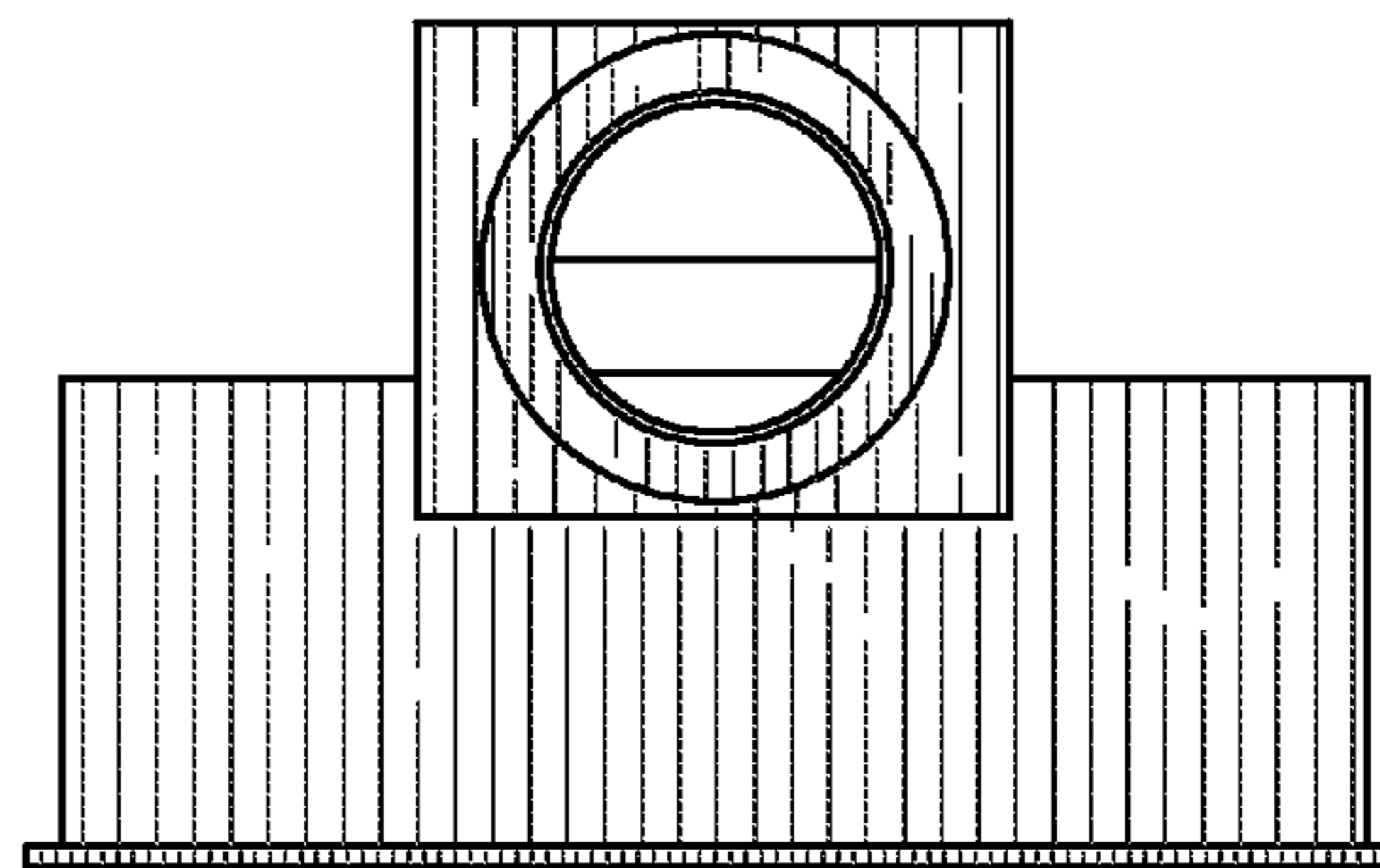


Fig. 4

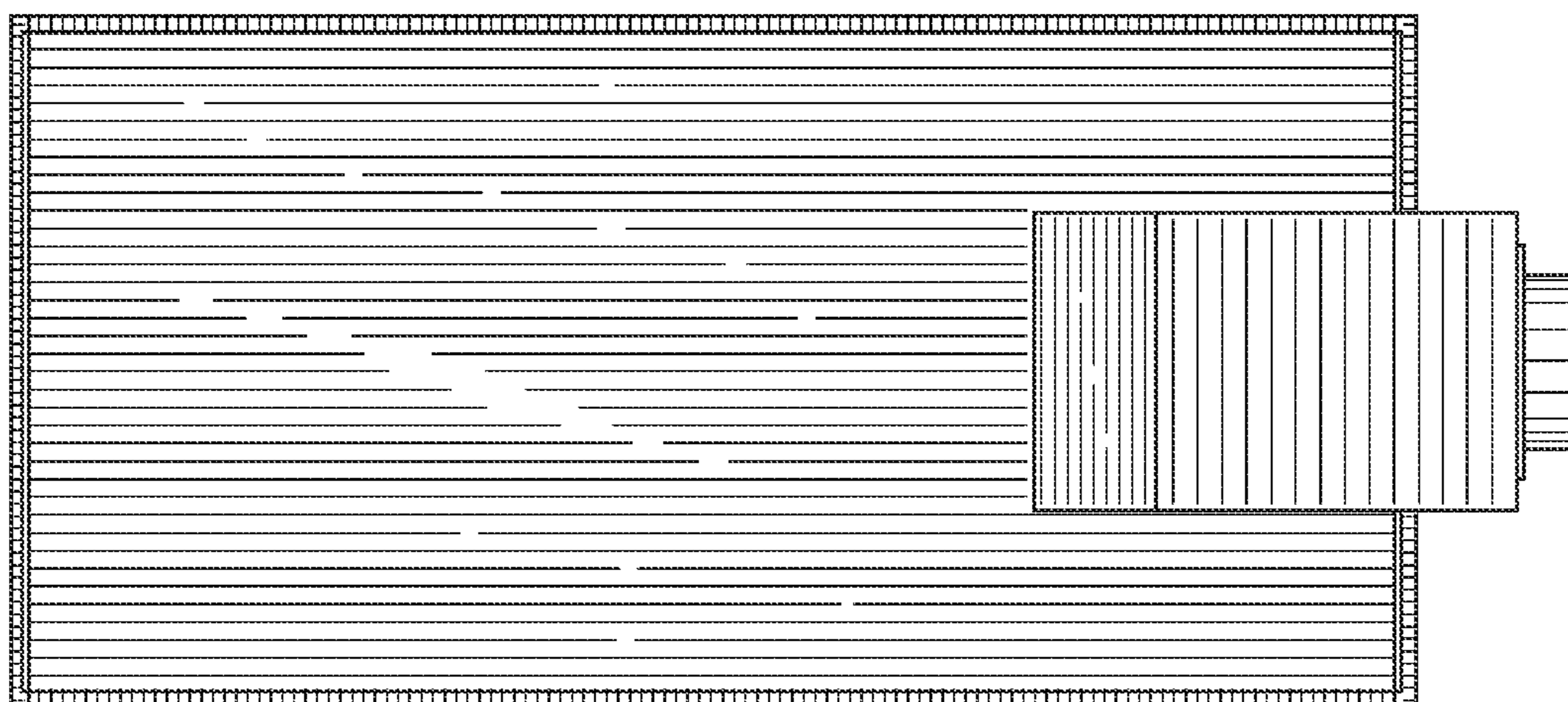


Fig. 5

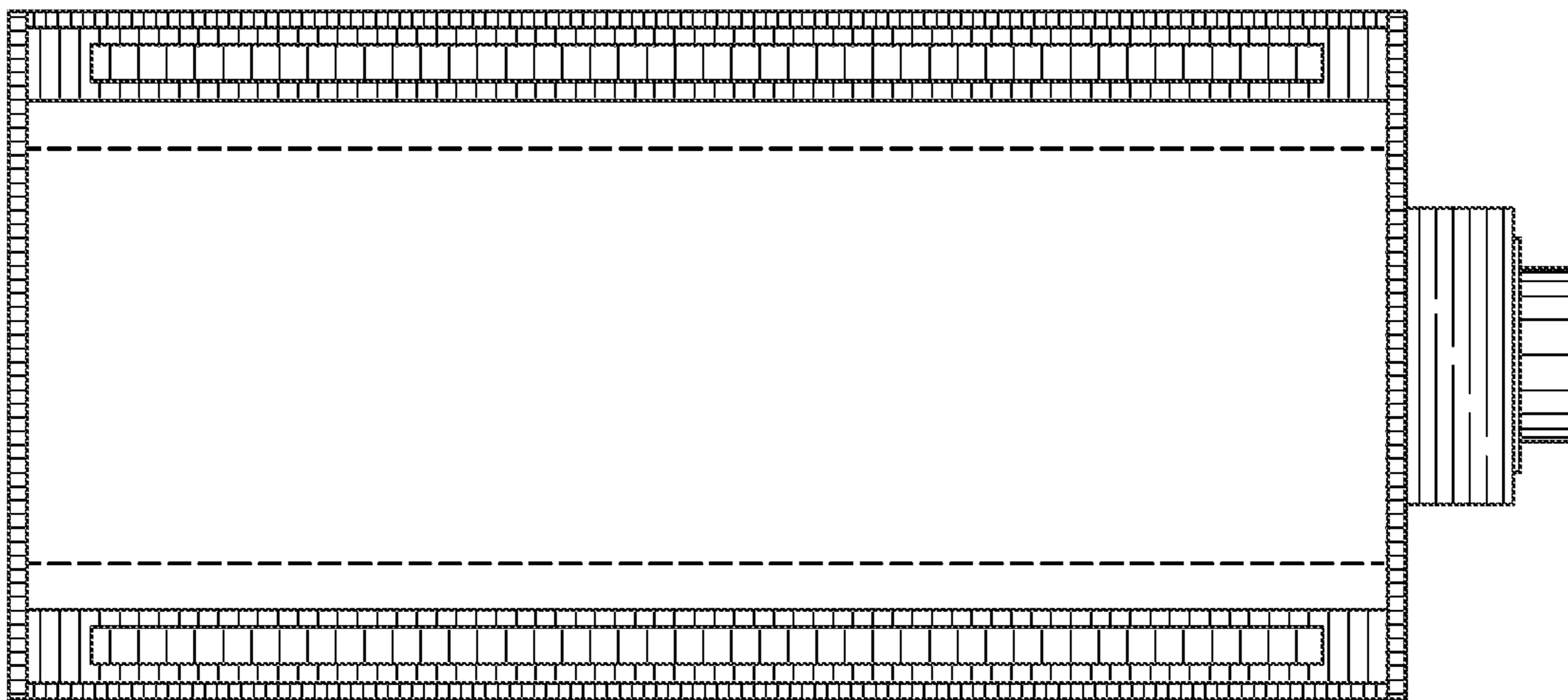


Fig. 6

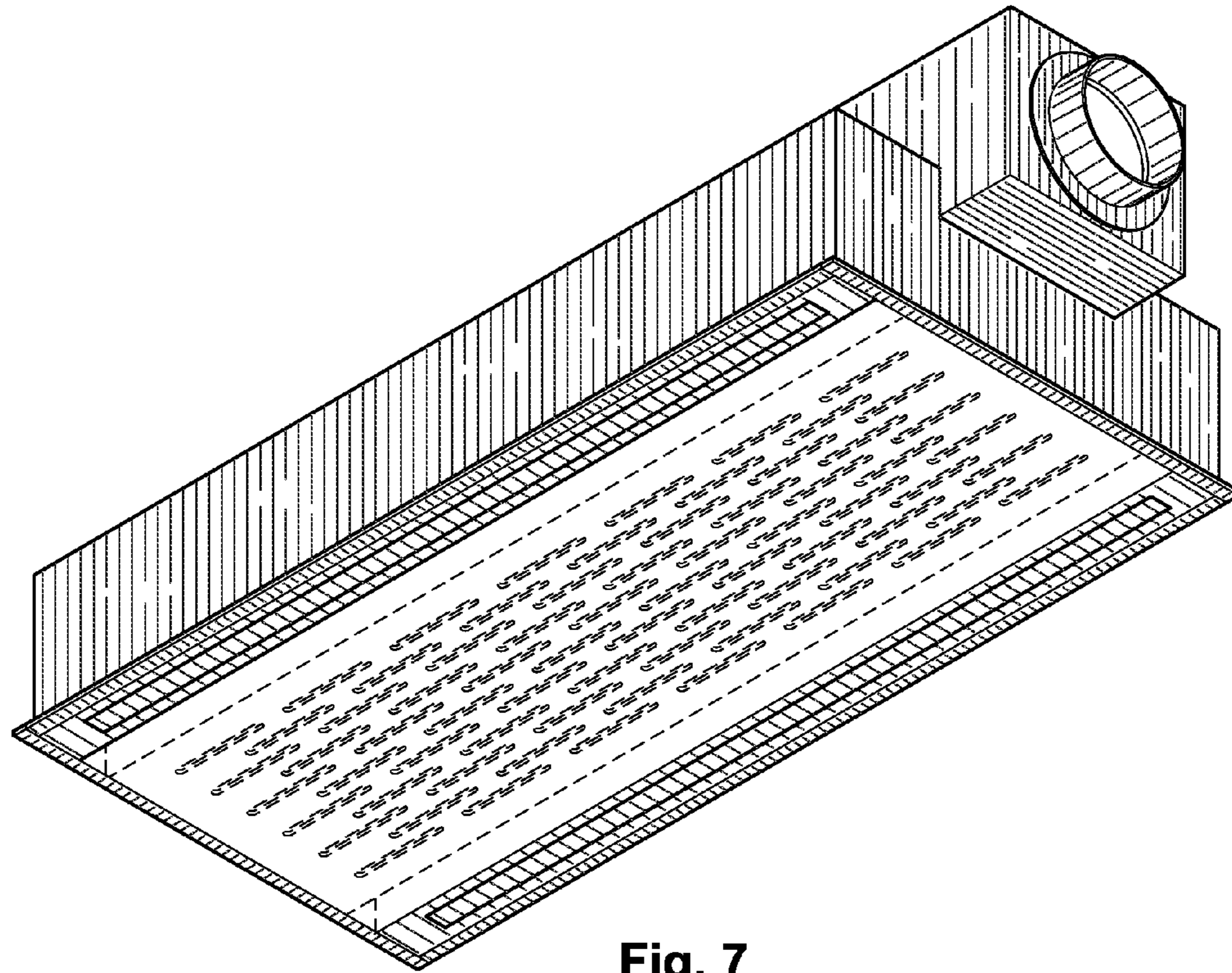


Fig. 7

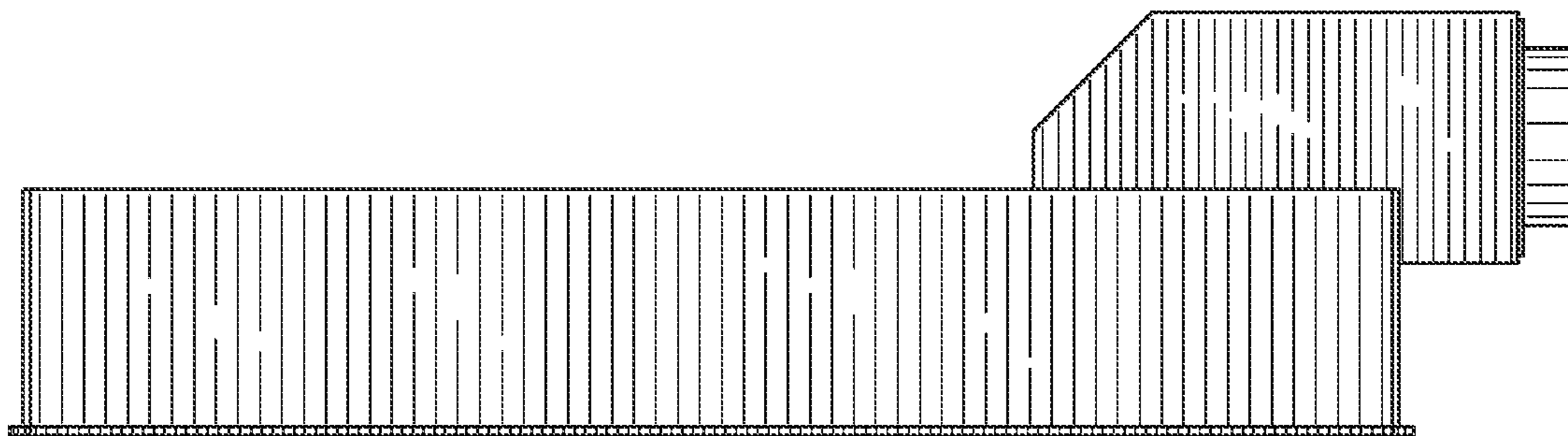


Fig. 8

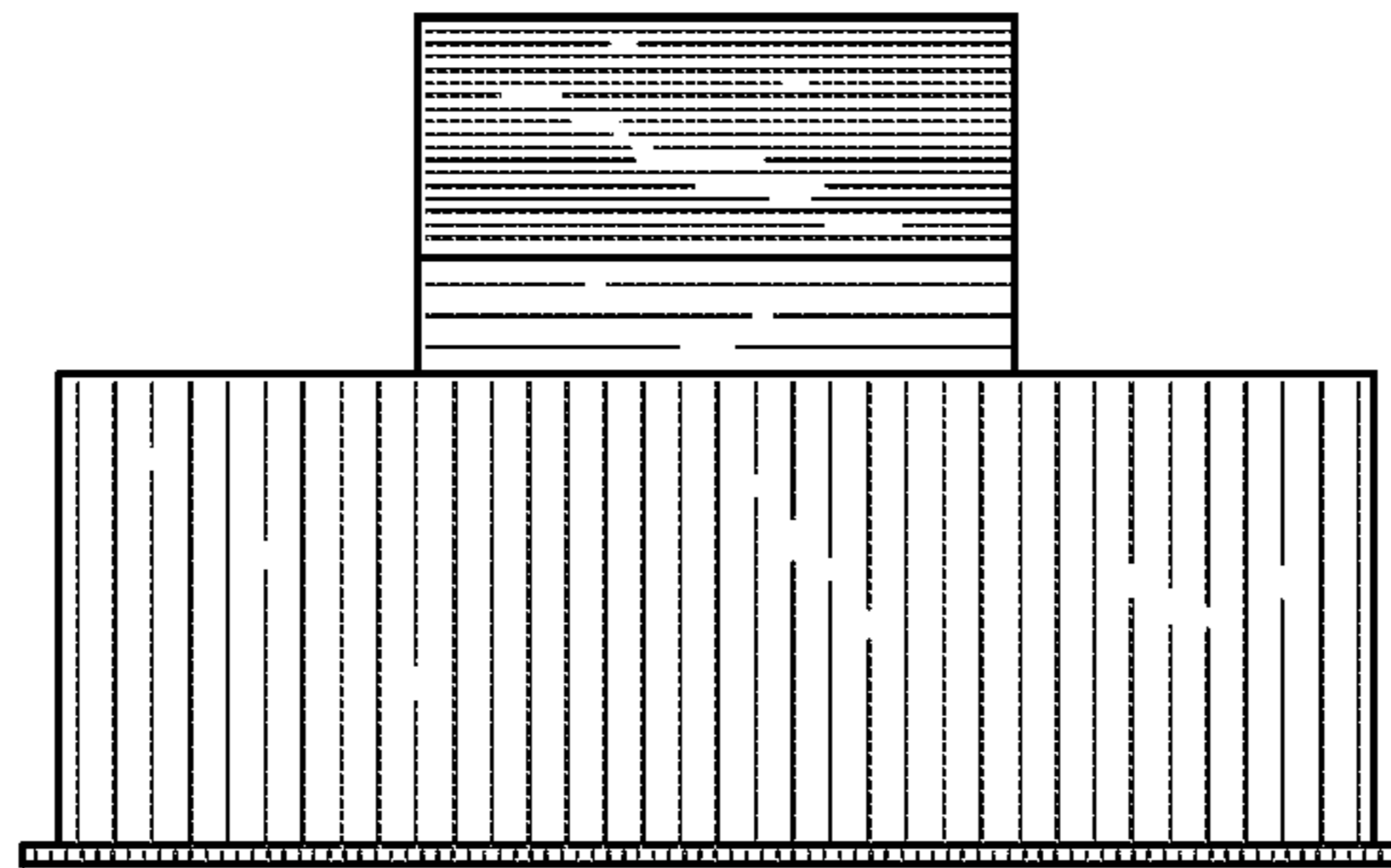


Fig. 9

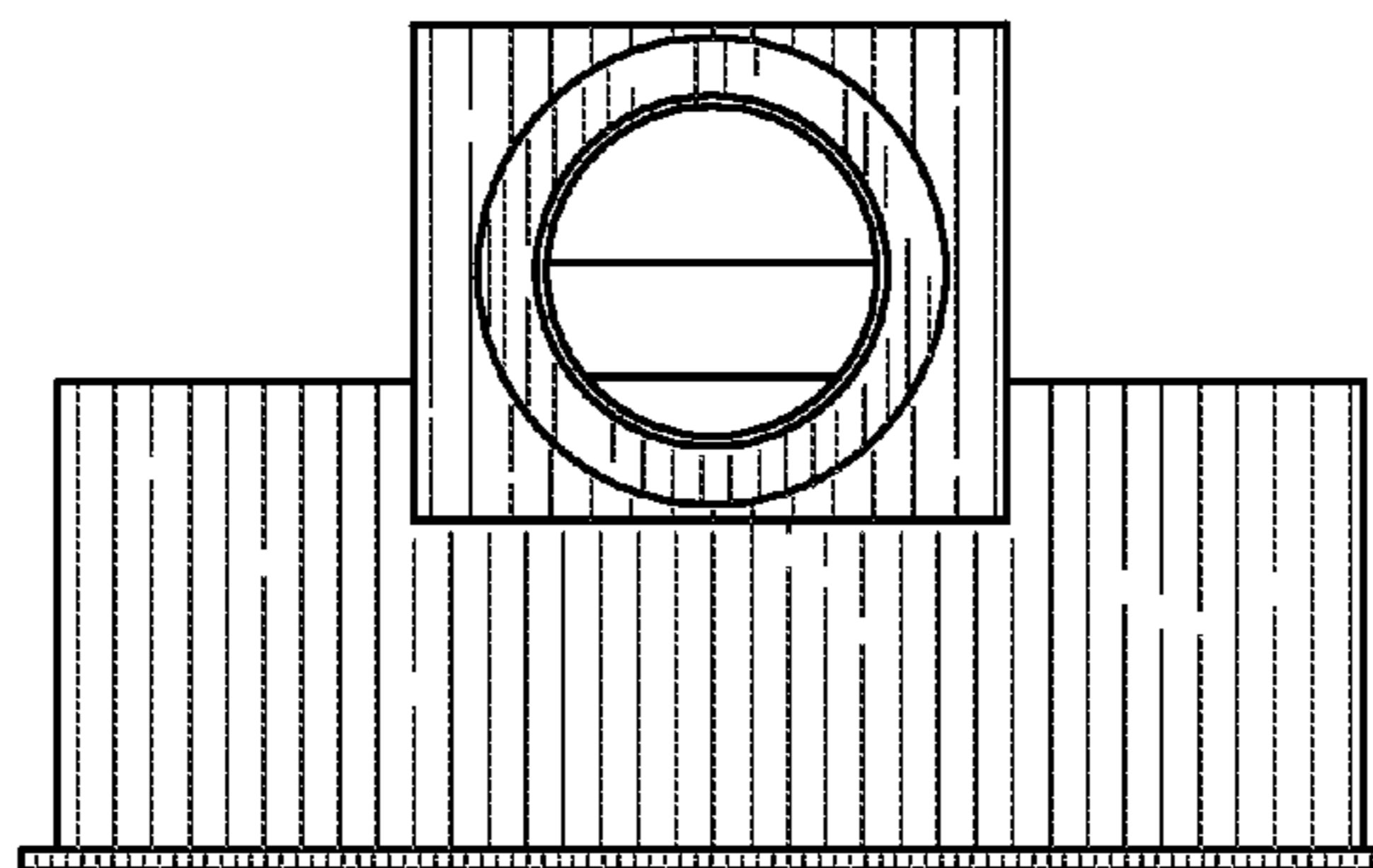


Fig. 10

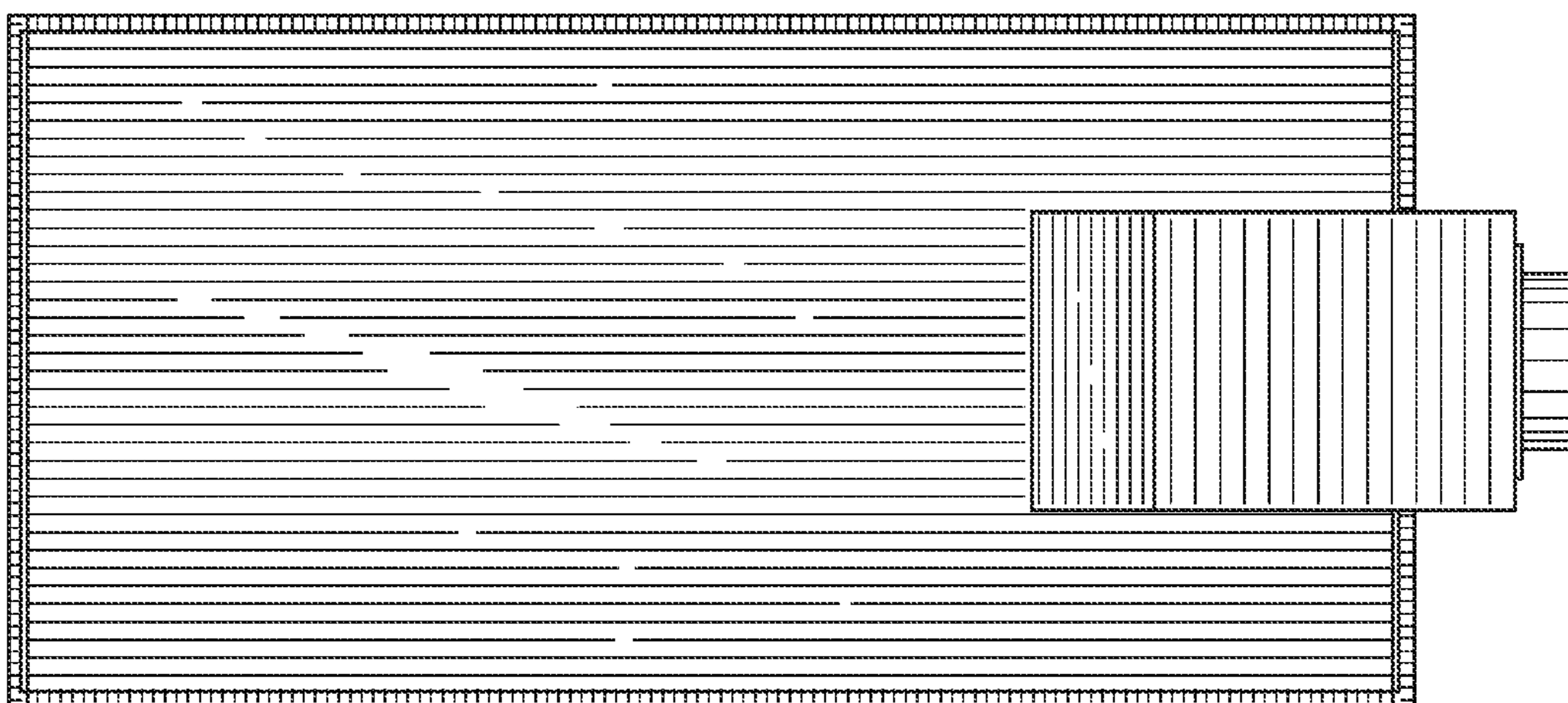


Fig. 11

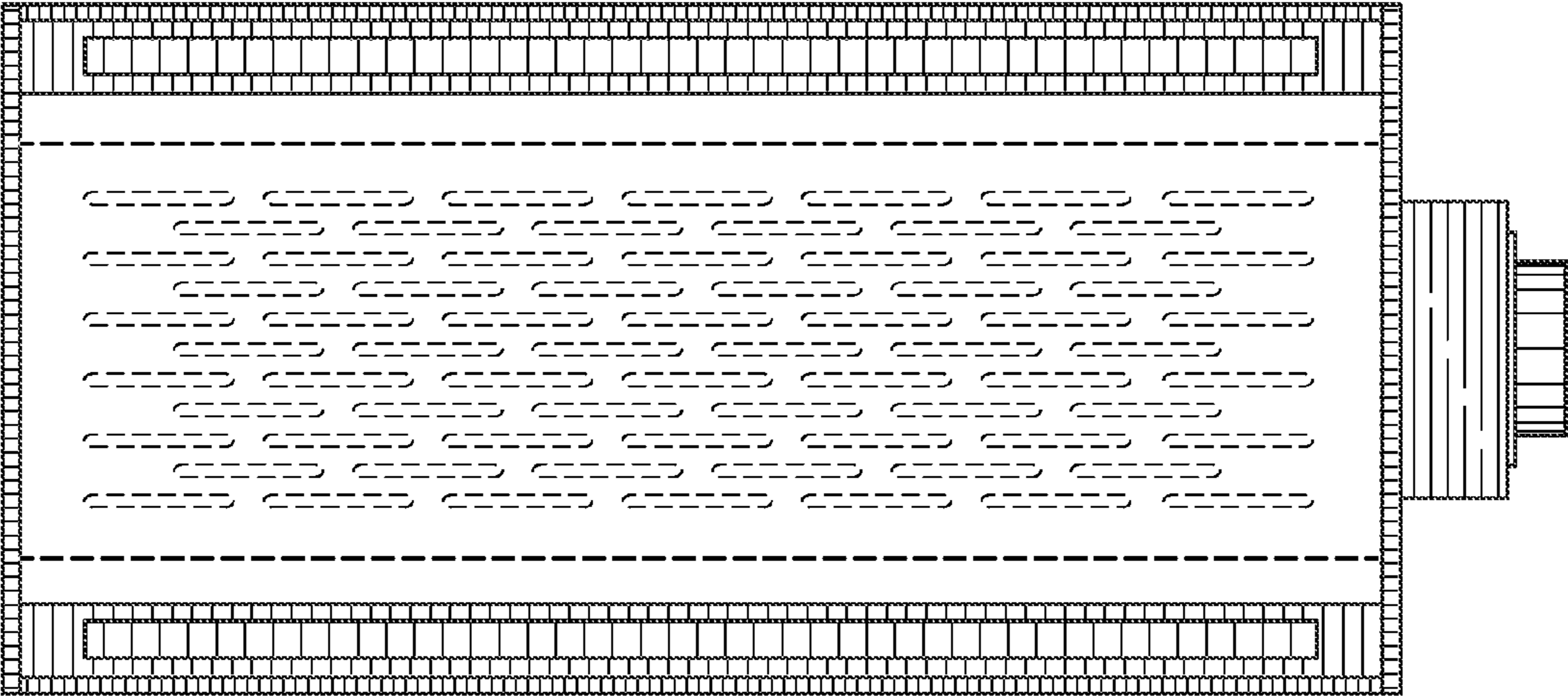


Fig. 12

UNITED STATES PATENT AND TRADEMARK OFFICE
CERTIFICATE OF CORRECTION

PATENT NO. : D714,928 S
APPLICATION NO. : 29/433053
DATED : October 7, 2014
INVENTOR(S) : Katsuhiko Urano

Page 1 of 6

It is certified that error appears in the above-identified patent and that said Letters Patent is hereby corrected as shown below:

On the Title page

Delete Title page with Illustrative Figure, and replace with new Title page with Illustrative Figure.
(Attached)

In the Drawings

Replace Figures 1, 4, 7 and 10 with Drawing Figures 1, 4, 7 and 10. (Attached)

Signed and Sealed this
Seventh Day of July, 2015



Michelle K. Lee
Director of the United States Patent and Trademark Office

(12) **United States Design Patent**
Urano

(10) **Patent No.:** **US D714,928 S**
(45) **Date of Patent:** **** Oct. 7, 2014**

- (54) **AIR-CONDITIONING OUTLET**
- (71) Applicant: **Kimura Kohki Co., Ltd., Osaka (JP)**
- (72) Inventor: **Katsuhiko Urano, Osaka (JP)**
- (73) Assignee: **Kimura Kohki Co., Ltd., Osaka (JP)**
- (**) Term: **14 Years**
- (21) Appl. No.: **29/433,053**
- (22) Filed: **Sep. 25, 2012**

Primary Examiner — David Muller
(74) *Attorney, Agent, or Firm* — Marshall, Gerstein & Borun LLP

- (30) **Foreign Application Priority Data**
- May 28, 2012 (JP) 2012-012427
- May 28, 2012 (JP) 2012-012430
- (51) **LOC (10) CL** **23-04**
- (52) **U.S. Cl.**
- USPC **D23/388**
- (58) **Field of Classification Search**
- USPC **D23/385-395, 397, 370-373, 365, 354, D23/399-403, 421, 499; 454/309, 275-277, 454/284, 287-291, 358-363; 52/302.1, 52/32.07; 285/229, 189, 183, 123.1, 15, 285/114, 110, 424, 197; 165/59; 62/262**
- See application file for complete search history.

(57) **CLAIM**
The ornamental design for an air-conditioning outlet, as shown and described.

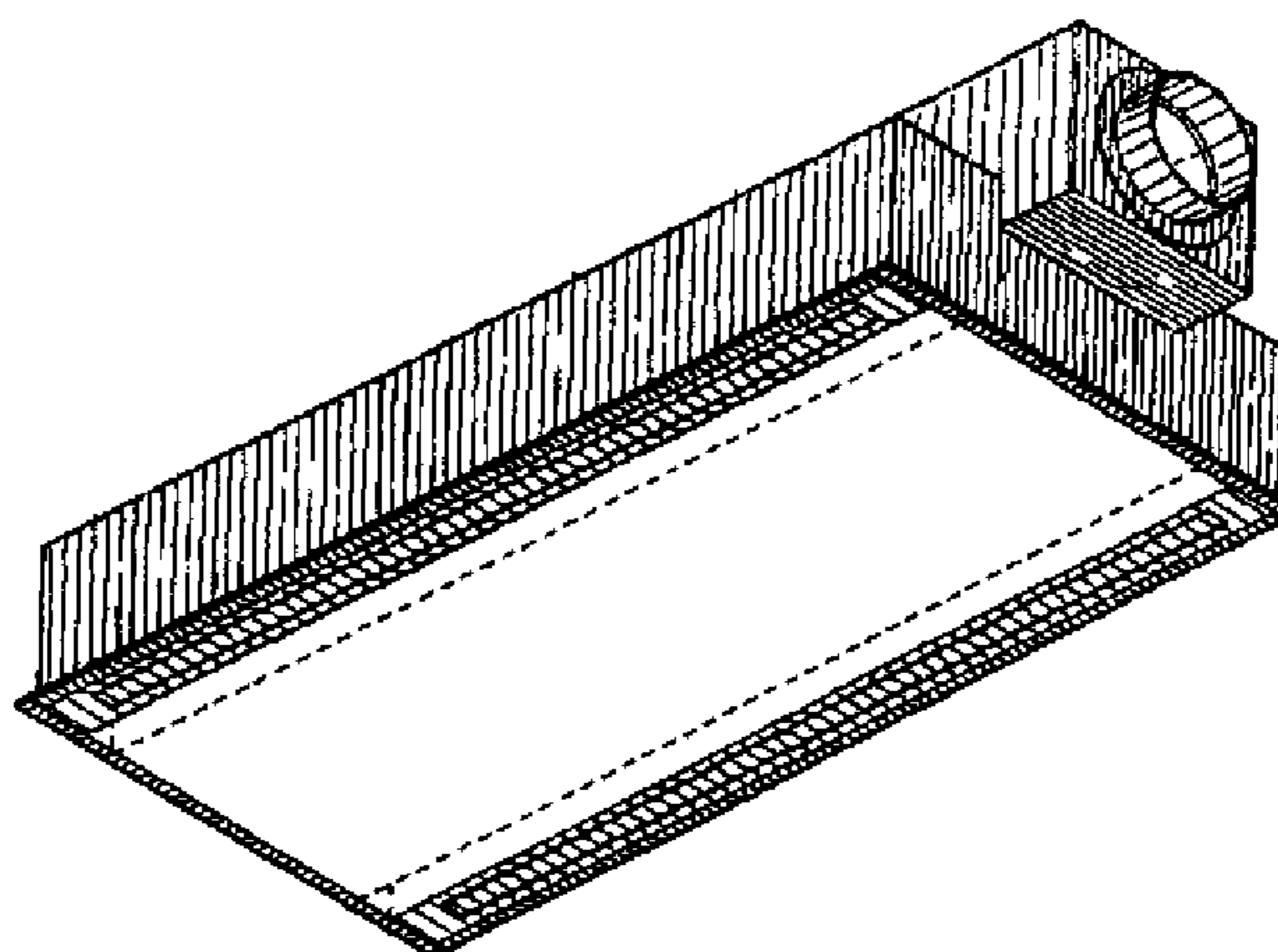
DESCRIPTION

FIG. 1 is a front, bottom, and right-side perspective view of the air conditioning outlet.
 FIG. 2 is a front elevation view of the air conditioning outlet, the back being a mirror image of the front.
 FIG. 3 is a left-side elevation view of the air conditioning outlet.
 FIG. 4 is a right-side elevation view of the air conditioning outlet.
 FIG. 5 is a top plan view of the air conditioning outlet.
 FIG. 6 is a bottom plan view of the air conditioning outlet.
 FIG. 7 is a front, bottom, and right-side perspective view of the air conditioning outlet of FIG. 1 shown in a different environment.
 FIG. 8 is a front elevation view of the air conditioning outlet of FIG. 7, the back being a mirror image of the front.
 FIG. 9 is a left-side elevation view of the air conditioning outlet of FIG. 7.
 FIG. 10 is a right-side elevation view of the air conditioning outlet of FIG. 7.
 FIG. 11 is a top plan view of the air conditioning outlet of FIG. 7; and,
 FIG. 12 is a bottom plan view of the air conditioning outlet of FIG. 7.
 The broken lines are intended to show elements of the air-conditioning outlet, and form no part of the claimed design. The elongated rectangular elements on either side of the bottom of the air-conditioning unit may be made of white/translucent material.

- (56) **References Cited**
- U.S. PATENT DOCUMENTS**
- D296,584 S * 7/1988 Hilton D23/370
- D325,431 S * 4/1992 Novobilski D23/365
- D332,305 S * 1/1993 Karlsson D23/371
- D338,713 S * 8/1993 Cox et al. D23/328
- 5,790,748 A * 8/1998 Tarnhane 392/366
- D469,173 S * 1/2003 Kawanori et al. D23/351
- 6,637,232 B1 * 10/2003 Harshberger et al. 62/285
- D520,134 S * 5/2006 DePierro D23/395
- D522,126 S * 5/2006 DePierro D23/395
- D604,403 S * 11/2009 Grobleben D23/371

(Continued)

1 Claim, 6 Drawing Sheets



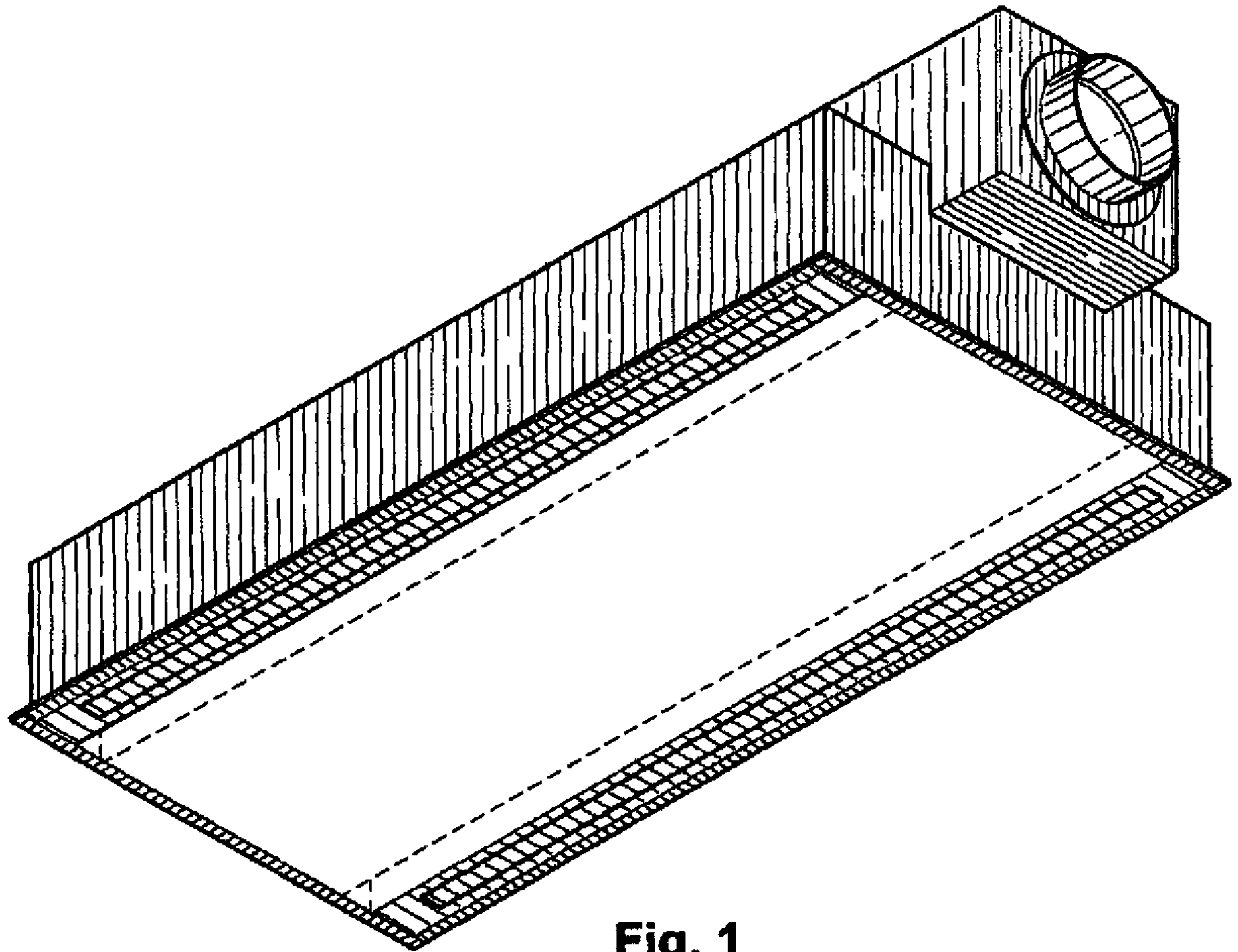


Fig. 1

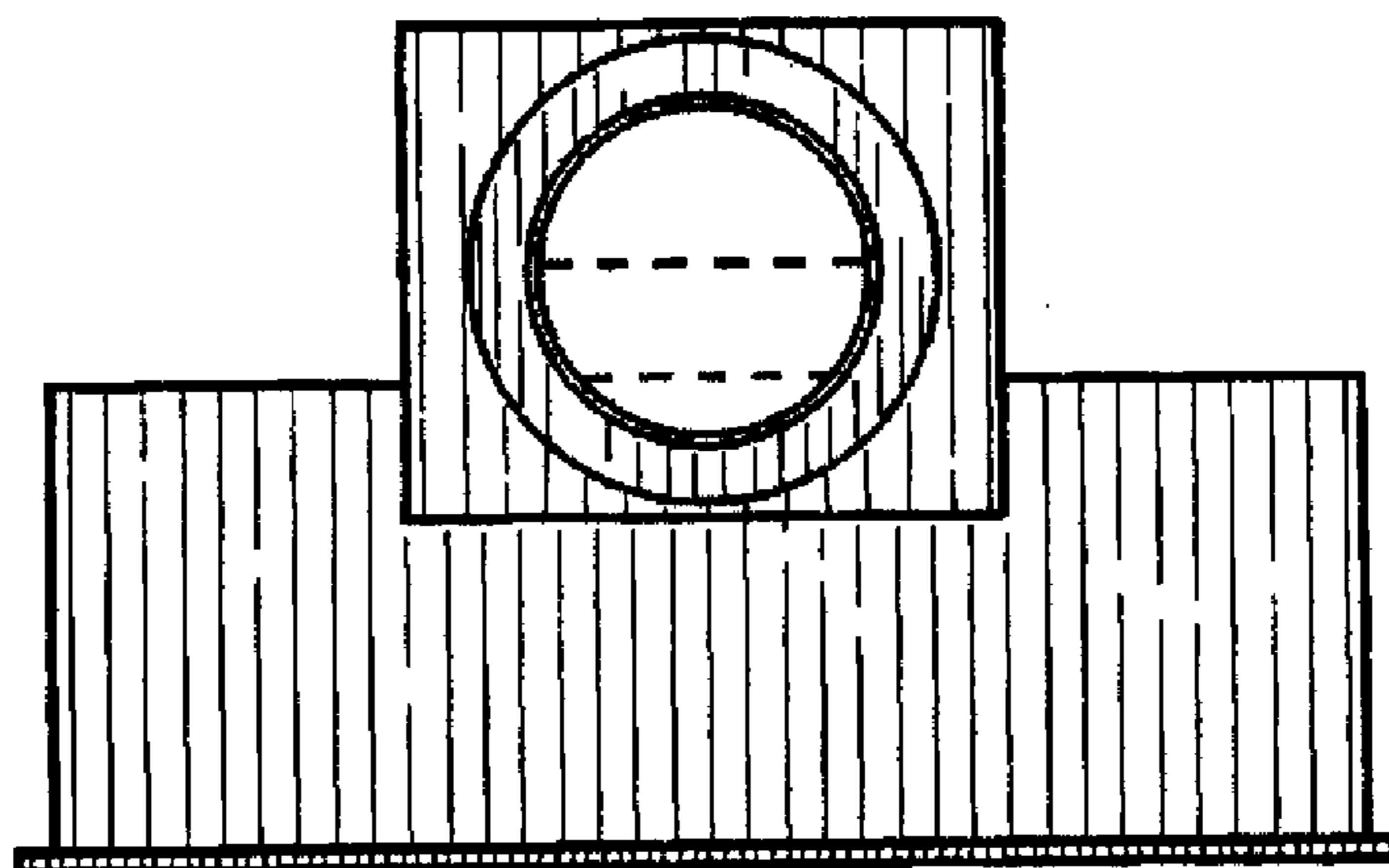


Fig. 4

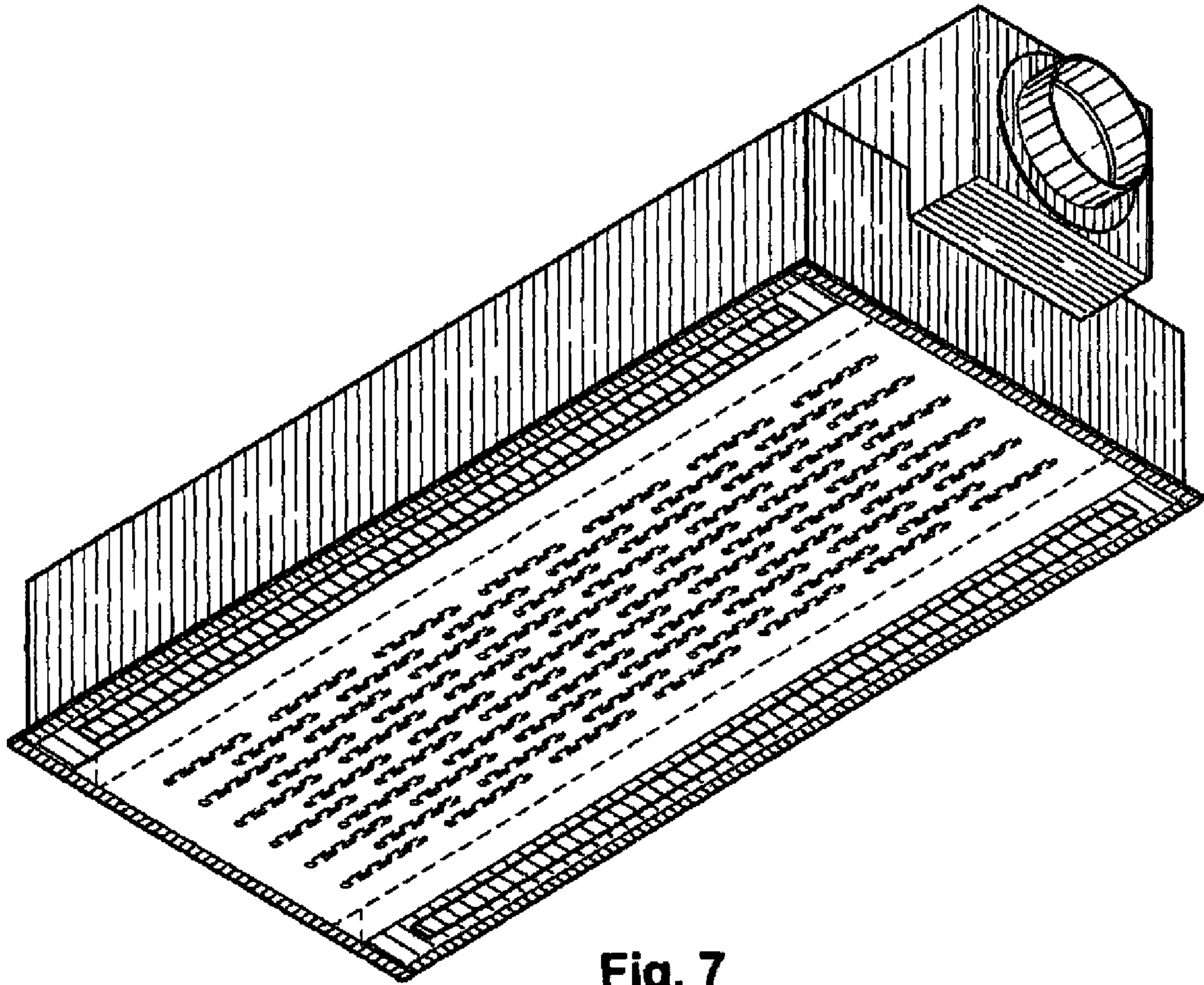


Fig. 7

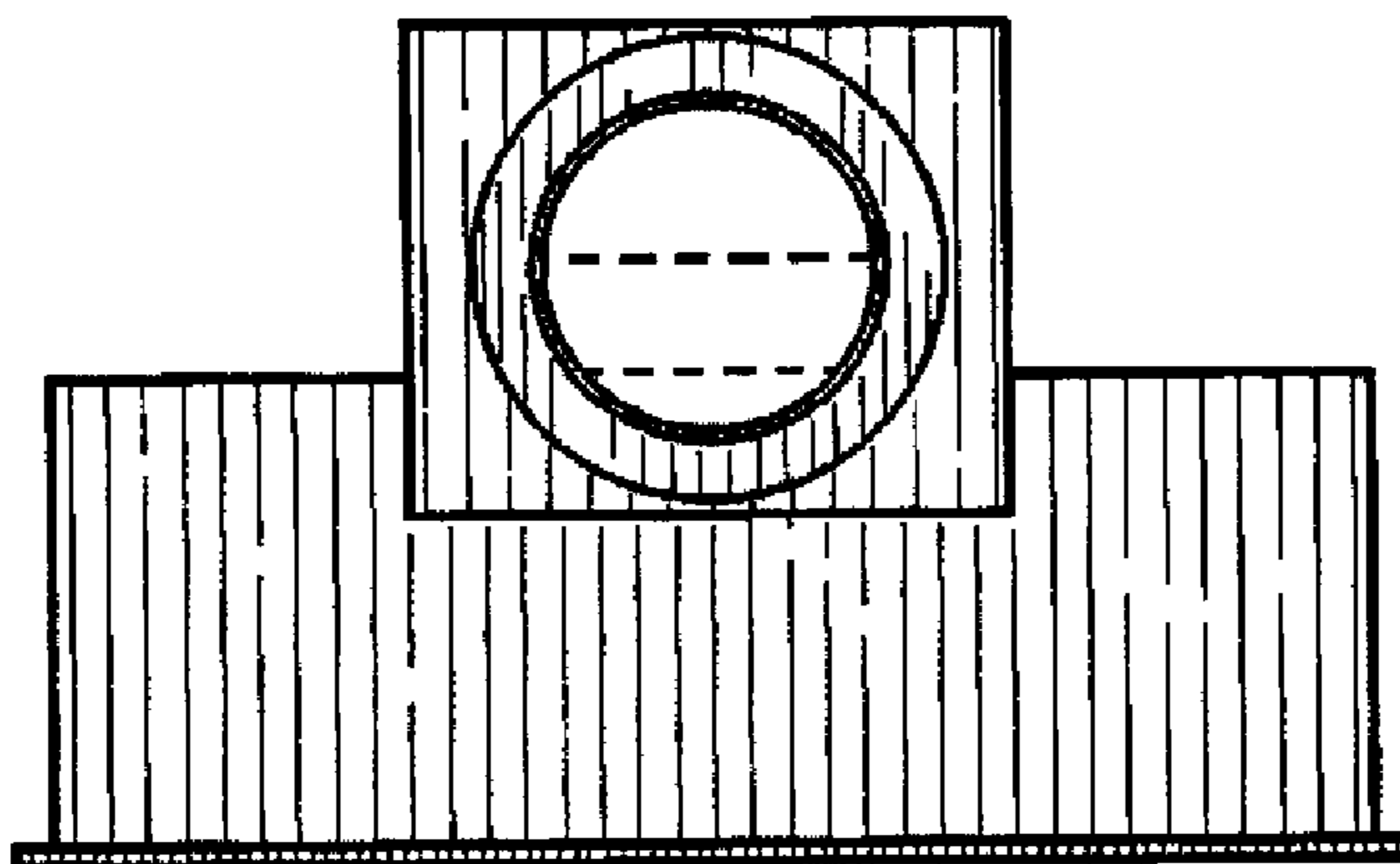


Fig. 10