



US00D714927S

(12) **United States Design Patent**  
**Urano**

(10) **Patent No.:** **US D714,927 S**  
(45) **Date of Patent:** **\*\* Oct. 7, 2014**

(54) **AIR CONDITIONING UNIT**  
(71) Applicant: **Kimura Kohki Co., Ltd.**, Osaka (JP)  
(72) Inventor: **Katsuhiko Urano**, Osaka (JP)  
(73) Assignee: **Kimura Kohki Co., Ltd.**, Osaka (JP)

(\*\*) Term: **14 Years**

(21) Appl. No.: **29/433,049**

(22) Filed: **Sep. 25, 2012**

(30) **Foreign Application Priority Data**

May 28, 2012 (JP) ..... 2012-012427

(51) **LOC (10) Cl.** ..... **23-04**

(52) **U.S. Cl.**  
USPC ..... **D23/388**

(58) **Field of Classification Search**  
USPC ..... D23/385–395, 397, 370–373, 365, 354,  
D23/399–403, 421, 499; 454/309, 275–277,  
454/284, 287–291, 358–363; 52/302.1,  
52/32.07; 285/229, 189, 183, 123.1, 15,  
285/114, 110, 424, 197; 165/59; 62/262  
See application file for complete search history.

(56) **References Cited**

**U.S. PATENT DOCUMENTS**

D56,410 S \* 10/1920 Bakstad ..... D23/385  
4,227,068 A \* 10/1980 Carter ..... 392/370  
D338,713 S \* 8/1993 Cox et al. .... D23/386  
D339,415 S \* 9/1993 Kiras ..... D23/397  
D352,550 S \* 11/1994 Rothenbucher ..... D23/386  
D357,732 S \* 4/1995 Spechts et al. .... D23/388

5,792,230 A \* 8/1998 Moore et al. .... 55/493  
D469,173 S \* 1/2003 Kawanori et al. .... D23/351  
D520,134 S \* 5/2006 DePierro ..... D23/395  
D578,633 S \* 10/2008 Schluter et al. .... D23/370  
D582,527 S \* 12/2008 Wang ..... D23/267  
D629,883 S \* 12/2010 Kimura et al. .... D23/388  
8,230,693 B2 \* 7/2012 Tsuji et al. .... 62/262

\* cited by examiner

*Primary Examiner* — David Muller

(74) *Attorney, Agent, or Firm* — Marshall, Gerstein & Borun LLP

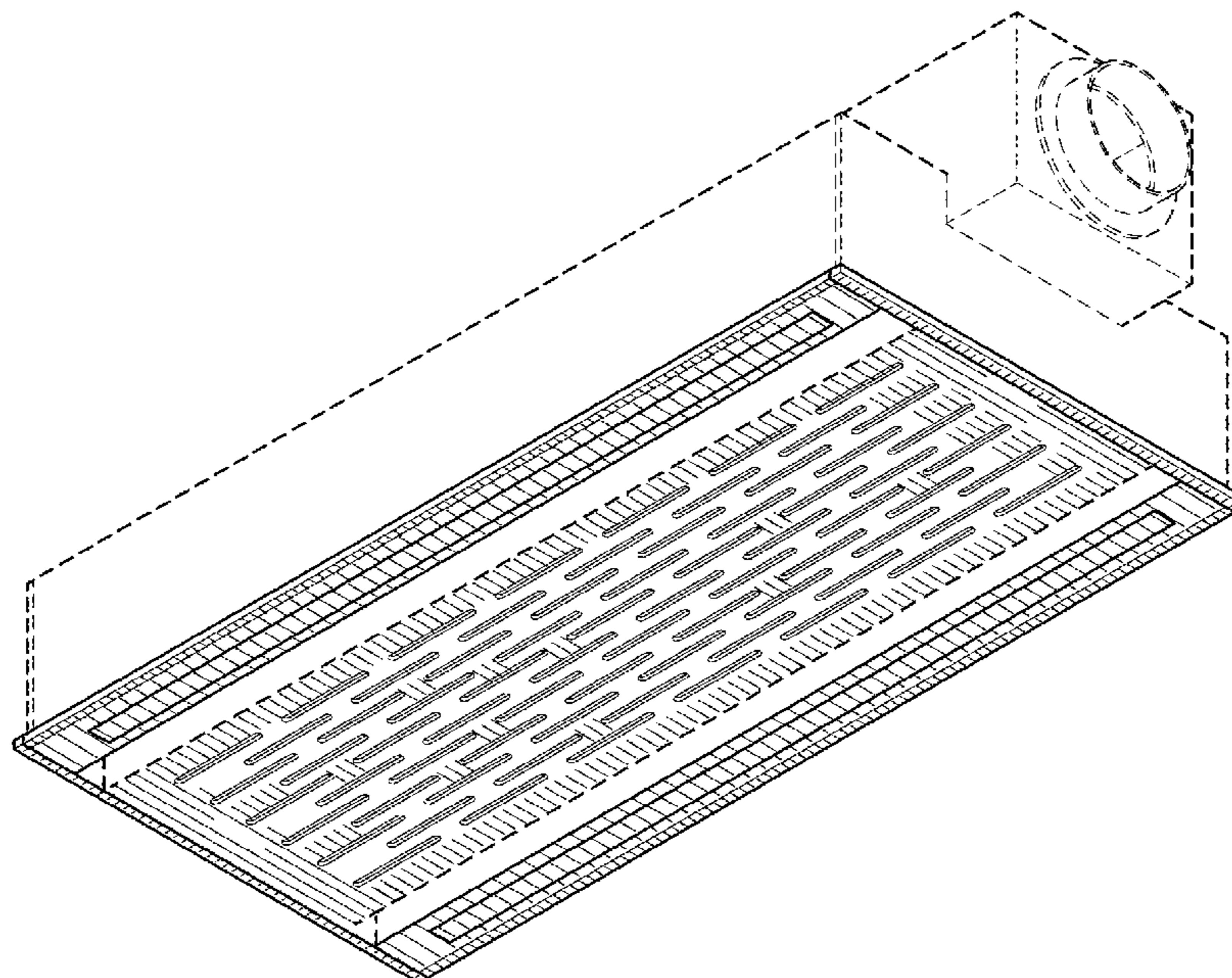
(57) **CLAIM**

The ornamental design for an air conditioning outlet, as shown and described.

**DESCRIPTION**

FIG. 1 is a front, bottom, and right-side perspective view of an air conditioning outlet that has the design.  
FIG. 2 is a front elevation view of the air conditioning outlet, the back being a mirror image of the front.  
FIG. 3 is a left-side elevation view of the air conditioning outlet.  
FIG. 4 is a right-side elevation view of the air conditioning outlet.  
FIG. 5 is a top plan view of the air conditioning outlet; and, FIG. 6 is a bottom plan view of the air conditioning outlet.  
The broken lines are intended to show elements of the air conditioning outlet, and form no part of the claimed design.  
The elongated rectangular elements on either side of the bottom of the air conditioning unit may be made of white/translucent material.

**1 Claim, 3 Drawing Sheets**



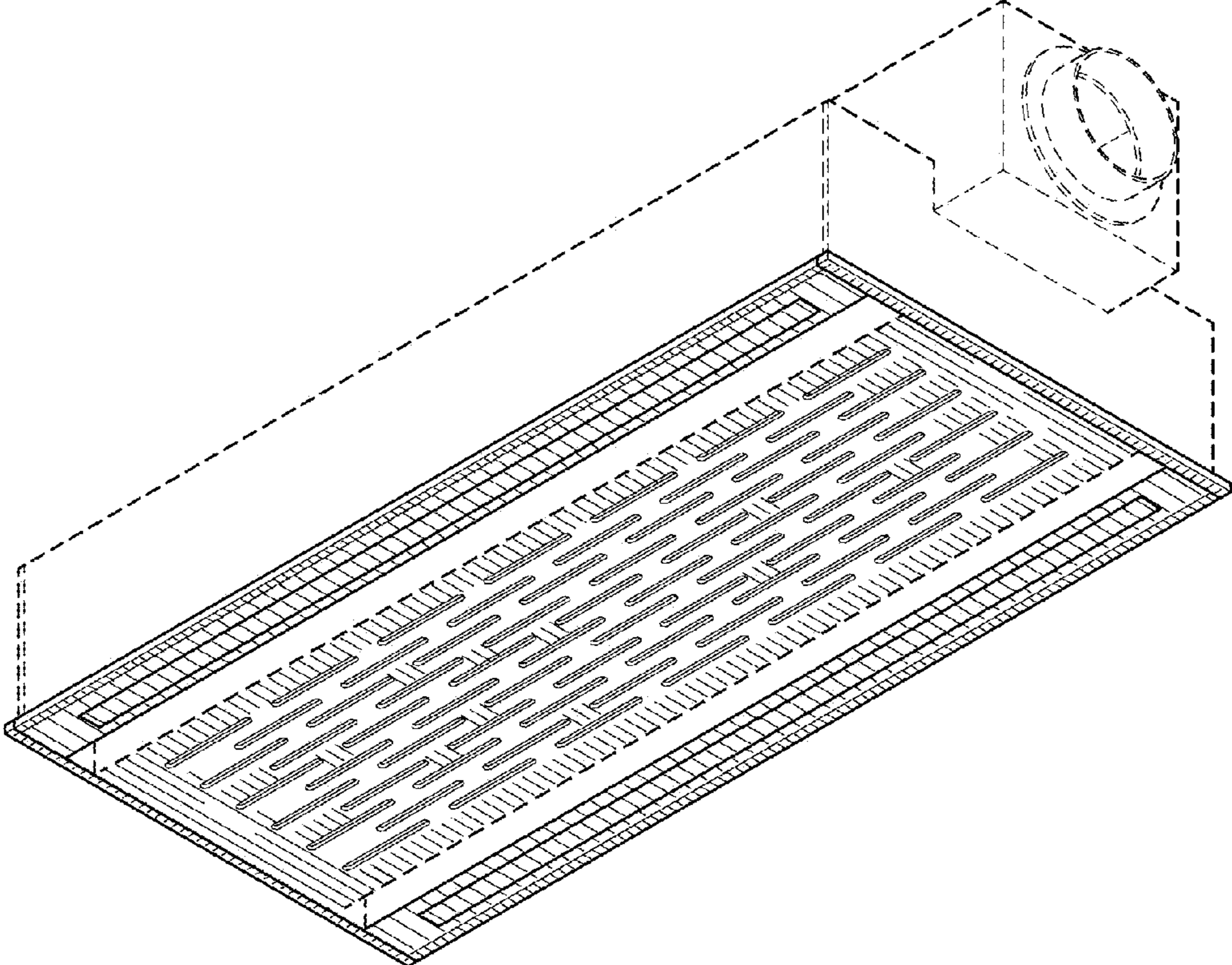


Fig. 1

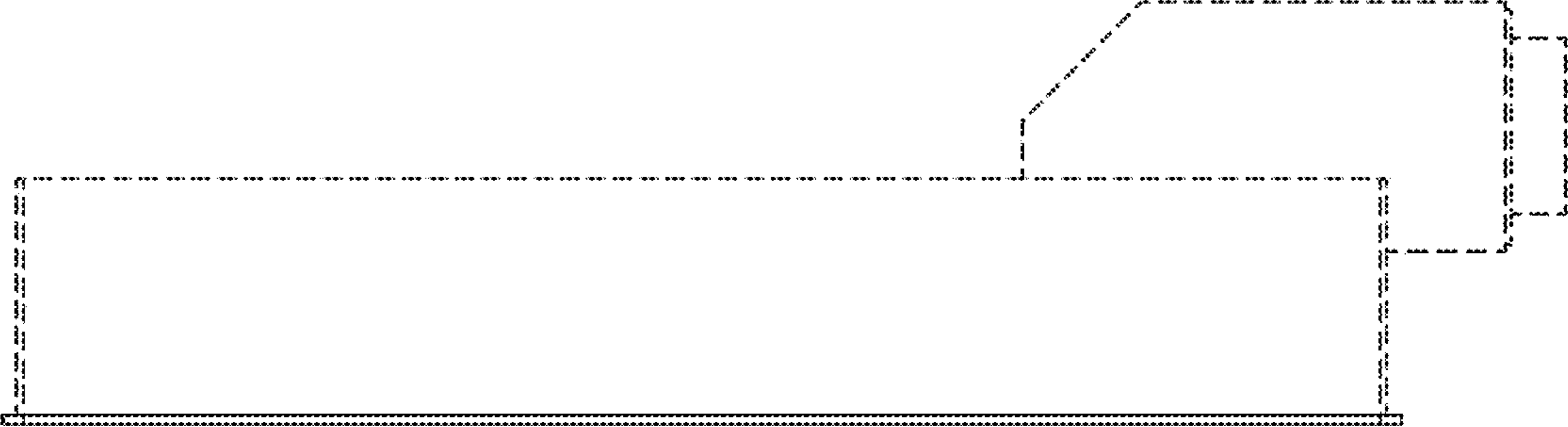


Fig. 2

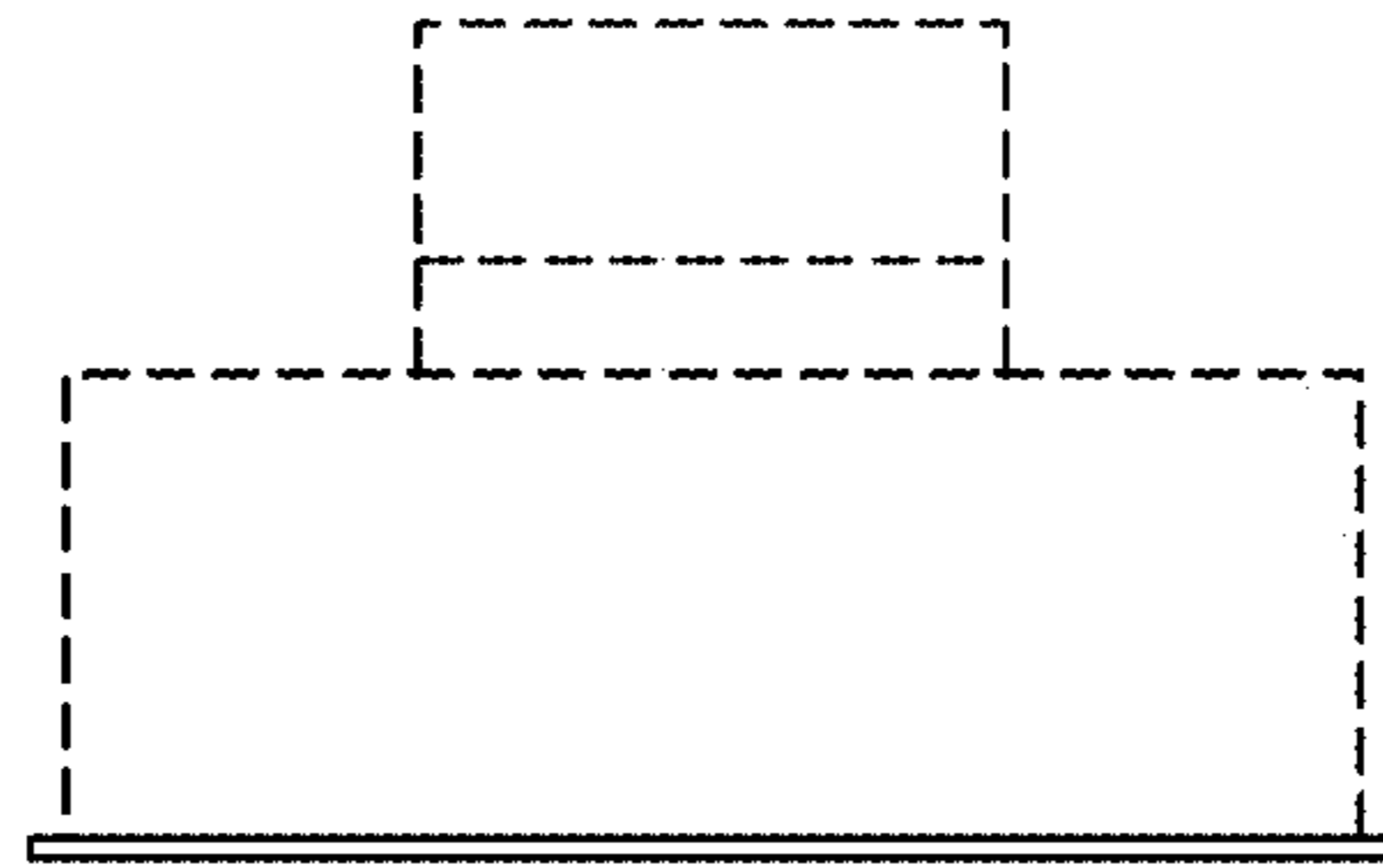


Fig. 3

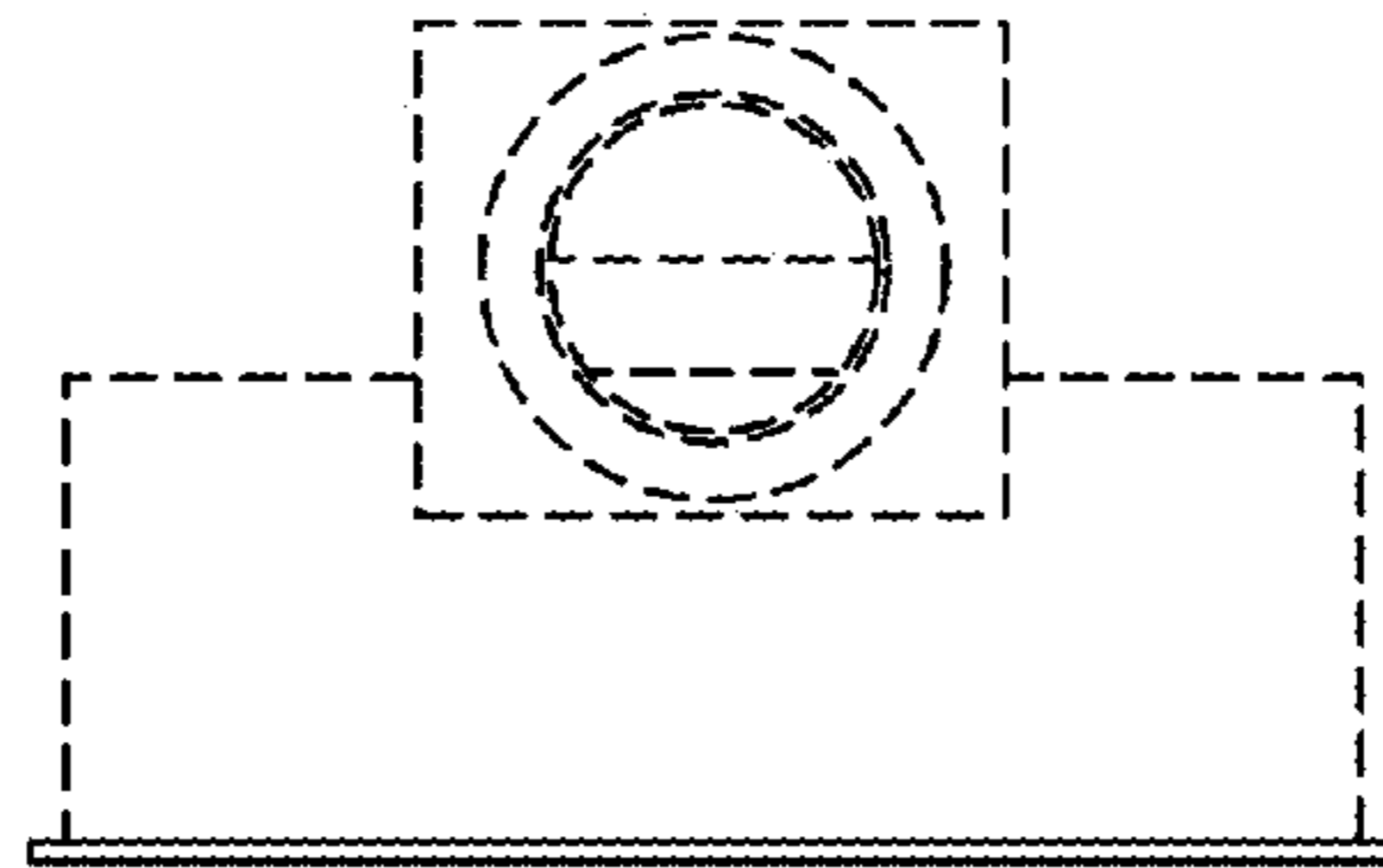


Fig. 4

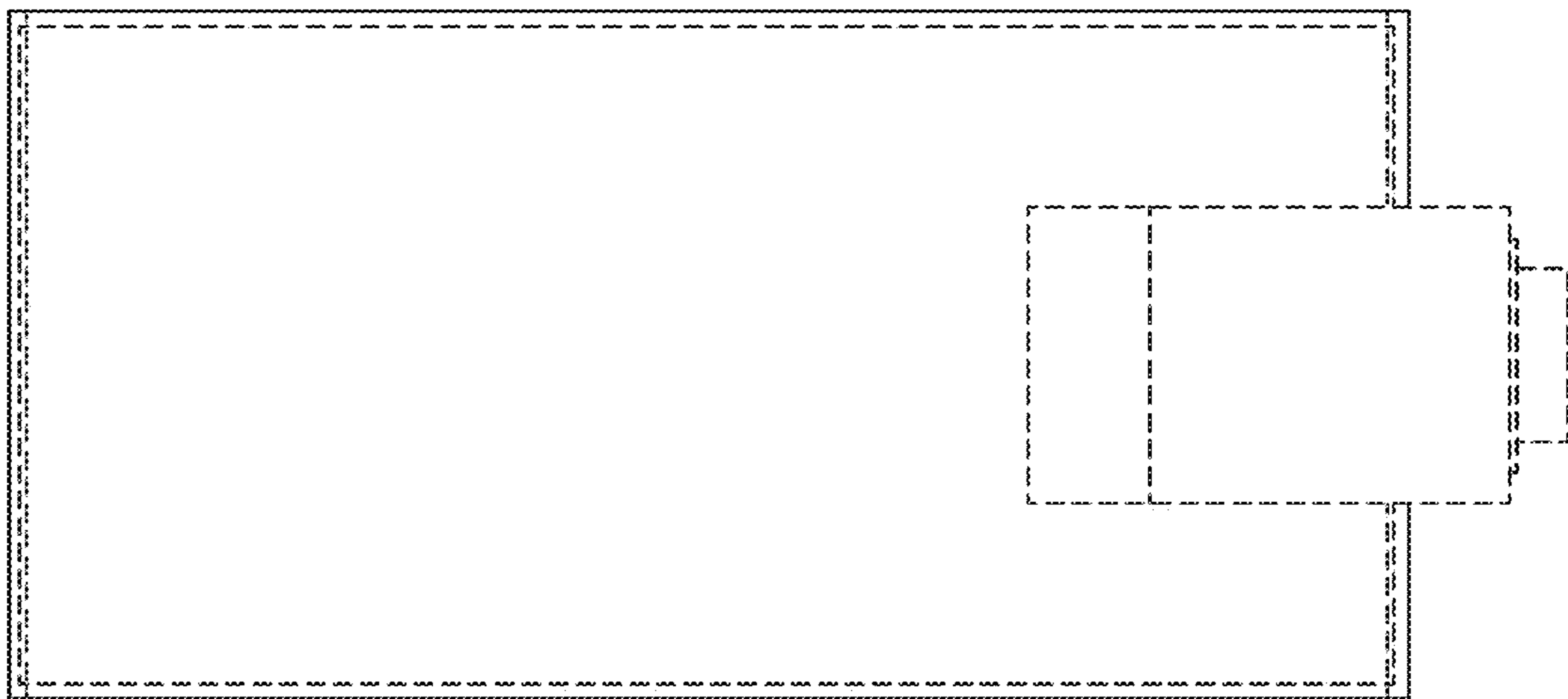


Fig. 5

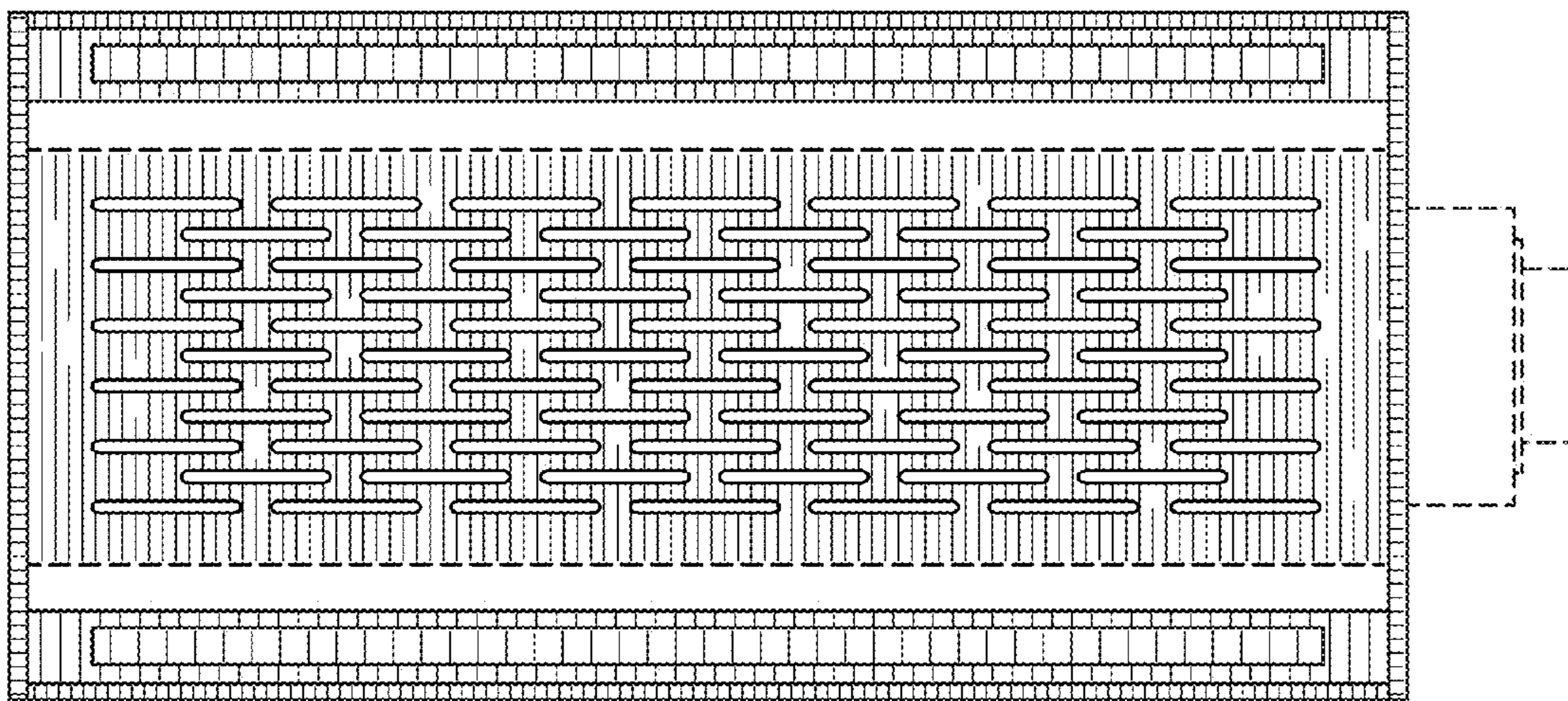


Fig. 6