



US00D714926S

(12) **United States Design Patent**  
**Allen et al.**

(10) **Patent No.:** **US D714,926 S**  
(45) **Date of Patent:** **\*\* Oct. 7, 2014**

(54) **BALL JOINT**

(75) Inventors: **Philip Allen**, Wahroonga (AU); **David Stocks**, Bensville (AU); **Scott Ibbotson**, Pennant Hills (AU)

(73) Assignee: **Hunter Pacific International Pty Ltd**, Dural NSW (AU)

(\*\*) Term: **14 Years**

(21) Appl. No.: **29/424,188**

(22) Filed: **Jun. 8, 2012**

(30) **Foreign Application Priority Data**

Dec. 9, 2011 (AU) ..... 15615/2011

(51) **LOC (10) Cl.** ..... **23-04**

(52) **U.S. Cl.**  
USPC ..... **D23/385**

(58) **Field of Classification Search**  
CPC . F21Y 2101/02; F04D 25/088; F21V 29/004;  
F21V 21/30; F21V 29/246  
USPC ..... D23/385, 379, 377, 411, 412, 499, 386,  
D23/262; D26/59; 439/286, 140, 314, 316,  
439/333, 334, 92; 416/5, 146 R;  
417/423.14; 392/364; 362/96, 294;  
284/343, 228.7, 342, 345  
See application file for complete search history.

(56) **References Cited**

**U.S. PATENT DOCUMENTS**

D90,938 S 10/1933 Beck  
2,739,780 A \* 3/1956 Richards ..... 248/324  
4,073,598 A 2/1978 Mizutani et al.  
4,592,702 A 6/1986 Bogage  
4,634,345 A \* 1/1987 Stanek et al. .... 416/244 R  
4,697,777 A \* 10/1987 Yang ..... 248/343  
D298,454 S 11/1988 Clyde-Mason

D298,931 S 12/1988 Sekiguchi  
D312,687 S 12/1990 Mason et al.  
D321,933 S 11/1991 Markwardt et al.  
5,069,433 A \* 12/1991 Womack ..... 269/277  
D328,639 S 8/1992 Hsieh  
D328,785 S 8/1992 Markwardt  
D329,087 S 9/1992 Markwardt  
D342,311 S 12/1993 Rezek  
D357,978 S 5/1995 Young  
D358,365 S 5/1995 Rodeffer et al.  
D361,377 S 8/1995 Tsuji  
D372,080 S 7/1996 Dolan

(Continued)

**OTHER PUBLICATIONS**

Official Action for U.S. Appl. No. 29/424,185 mailed Feb. 12, 2014,  
7 pages.

(Continued)

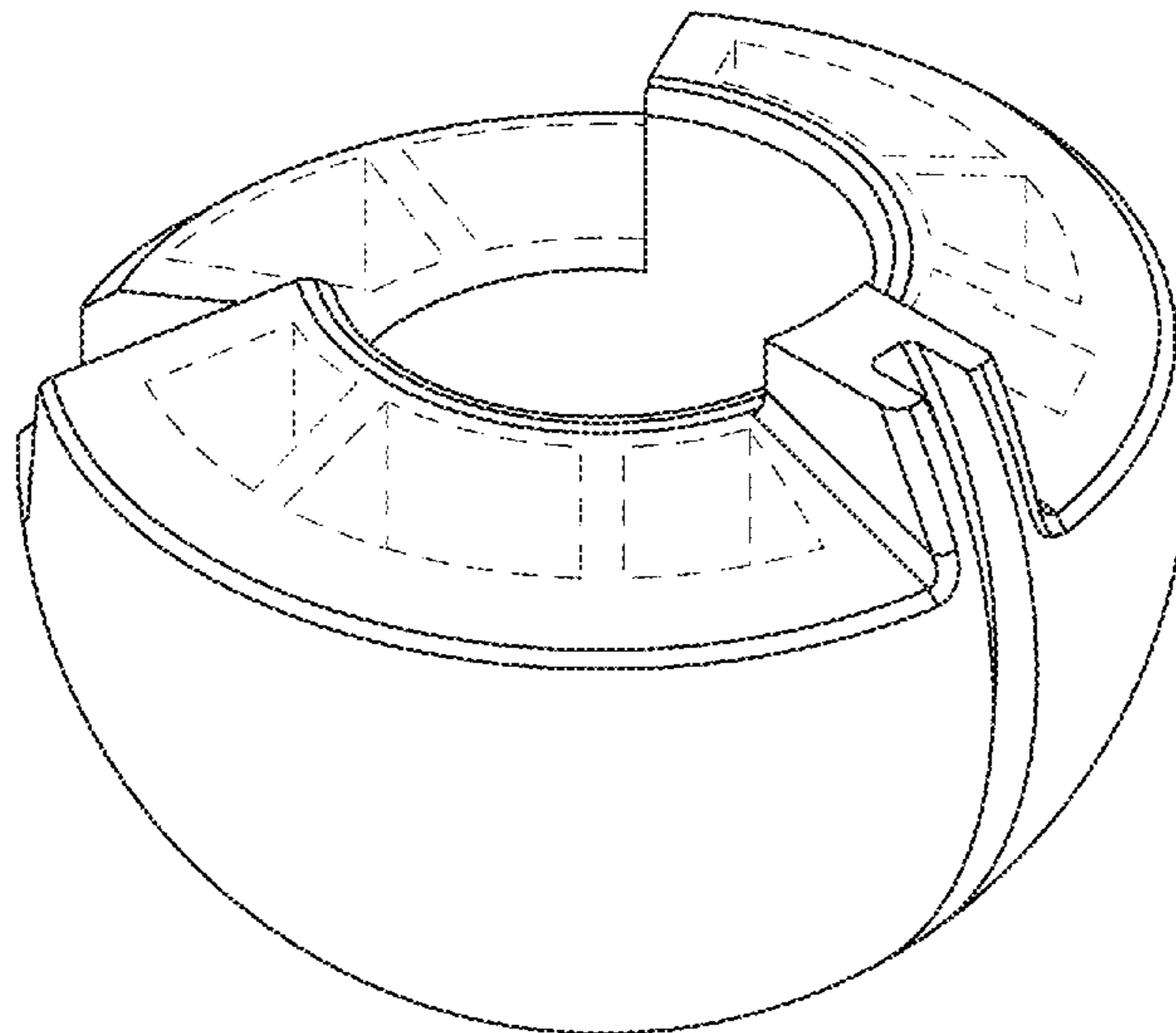
*Primary Examiner* — Eric Goodman  
*Assistant Examiner* — Ryan Harvey  
(74) *Attorney, Agent, or Firm* — Sheridan Ross P.C.

(57) **CLAIM**  
The ornamental design for a ball joint, as shown and described.

**DESCRIPTION**

FIG. 1 is a top perspective view of the ball joint;  
FIG. 2 is a bottom perspective view thereof;  
FIG. 3 is a front elevation view thereof;  
FIG. 4 is a rear elevation view thereof;  
FIG. 5 is a top plan view thereof;  
FIG. 6 is a bottom plan view thereof;  
FIG. 7 is a left side view thereof; and,  
FIG. 8 is a right side view thereof.  
The broken lines in the Figures are included for the purpose of illustrating environment and form no part of the claimed design.

**1 Claim, 8 Drawing Sheets**



(56)

References Cited

U.S. PATENT DOCUMENTS

D385,026 S 10/1997 Liu  
 D386,257 S 11/1997 Liu  
 D387,149 S 12/1997 Tsuji  
 D389,908 S 1/1998 Dolan  
 D391,661 S 3/1998 Pan  
 D396,531 S 7/1998 Lieu  
 D408,515 S 4/1999 Evans  
 D420,733 S 2/2000 Chen  
 6,042,072 A 3/2000 Chi-Nan  
 D424,680 S 5/2000 Wenzlick  
 D430,330 S 8/2000 Hammar  
 6,139,279 A \* 10/2000 Pearce et al. .... 416/244 R  
 D441,119 S 4/2001 Crosby  
 D441,483 S 5/2001 Schaefer et al.  
 D442,315 S 5/2001 Schaefer et al.  
 D453,216 S 1/2002 Gajewski  
 D464,164 S 10/2002 Thompson  
 D476,406 S 6/2003 Friedes  
 D476,728 S 7/2003 Gajewski  
 D478,974 S 8/2003 Hidalgo  
 D485,002 S 1/2004 Lin  
 D492,053 S 6/2004 Graves et al.  
 6,877,703 B2 4/2005 Tang  
 6,885,797 B2 4/2005 Lee et al.  
 D510,426 S 10/2005 Garcia, Jr.  
 6,971,854 B2 12/2005 Krakowski  
 6,981,678 B2 \* 1/2006 Fu-Liang ..... 248/343  
 D514,731 S 2/2006 Engel  
 7,050,306 B1 5/2006 Ribeiro et al.  
 7,080,813 B1 7/2006 Frampton et al.  
 D530,039 S 10/2006 Blackman  
 D541,970 S 5/2007 Blackman  
 D544,441 S 6/2007 Sichner et al.  
 D544,836 S 6/2007 Sichner et al.  
 D545,762 S 7/2007 Sichner et al.  
 7,261,520 B2 8/2007 Wang  
 D559,785 S 1/2008 Tosetti  
 D564,123 S 3/2008 Porter  
 D566,258 S 4/2008 Bucher et al.  
 D571,736 S 6/2008 Copeland et al.  
 D587,656 S 3/2009 Shen et al.  
 7,510,160 B1 \* 3/2009 Wang ..... 248/343  
 D590,489 S 4/2009 Bucher et al.  
 7,527,232 B2 \* 5/2009 Frampton et al. .... 248/343  
 D593,962 S 6/2009 Ross et al.  
 D597,198 S 7/2009 Parker et al.  
 D599,461 S 9/2009 Ertze  
 D601,092 S 9/2009 Rupp et al.  
 D605,128 S 12/2009 Gribble et al.  
 D605,751 S 12/2009 Yang  
 D608,737 S 1/2010 Upham et al.

D609,799 S 2/2010 Lee  
 7,665,967 B1 2/2010 Parker et al.  
 D611,136 S 3/2010 Orozco  
 D615,183 S 5/2010 Parker et al.  
 D625,252 S 10/2010 Nguyen et al.  
 D627,051 S 11/2010 Pan  
 D628,687 S 12/2010 Yao  
 7,874,860 B2 1/2011 Starke et al.  
 D631,955 S 2/2011 Vilella et al.  
 7,927,071 B2 4/2011 Parker et al.  
 7,969,744 B2 6/2011 Mathes et al.  
 D645,135 S 9/2011 Orozco  
 8,107,243 B2 1/2012 Guccione et al.  
 D660,806 S 5/2012 Wong  
 D660,953 S 5/2012 Allen et al.  
 D663,829 S 7/2012 Allen et al.  
 8,241,017 B2 8/2012 Yamamoto et al.  
 D675,570 S 2/2013 Muller  
 D676,388 S 2/2013 Muller  
 D679,794 S 4/2013 Allen et al.  
 D679,795 S 4/2013 Allen et al.  
 2003/0213883 A1 \* 11/2003 Fu-Liang ..... 248/343  
 2005/0006549 A1 1/2005 Liu  
 2008/0224013 A1 9/2008 Huang  
 2008/0260345 A1 10/2008 Mertesdorf et al.  
 2009/0034165 A1 2/2009 Tyler et al.  
 2009/0053061 A1 \* 2/2009 Wang ..... 416/62  
 2009/0141458 A1 6/2009 Liu et al.  
 2009/0294620 A1 \* 12/2009 Lin ..... 248/343  
 2011/0031367 A1 2/2011 Wang  
 2011/0031368 A1 \* 2/2011 Wang ..... 248/343  
 2011/0052411 A1 3/2011 Yamamoto et al.  
 2011/0103025 A1 5/2011 Ross et al.  
 2011/0305571 A1 12/2011 Heim et al.  
 2012/0070223 A1 \* 3/2012 Wimberley ..... 403/90  
 2012/0162929 A1 6/2012 Huang  
 2012/0307459 A1 12/2012 Sakuma et al.  
 2013/0136603 A1 5/2013 Kuramochi et al.  
 2013/0272879 A1 10/2013 Chen

OTHER PUBLICATIONS

Official Action for U.S. Appl. No. 29/424,186 mailed Dec. 20, 2013, 10 pages.  
 Notice of Allowance for U.S. Appl. No. 29/424,189 mailed Dec. 17, 2013, 12 pages.  
 Official Action for U.S. Appl. No. 29/424,193 mailed Nov. 27, 2013, 7 pages.  
 Notice of Allowance for U.S. Appl. No. 29/424,194 mailed Feb. 14, 2014, 8 pages.  
 Notice of Allowance for U.S. Appl. No. 29/424,184, mailed Aug. 7, 2013, 8 pages.

\* cited by examiner

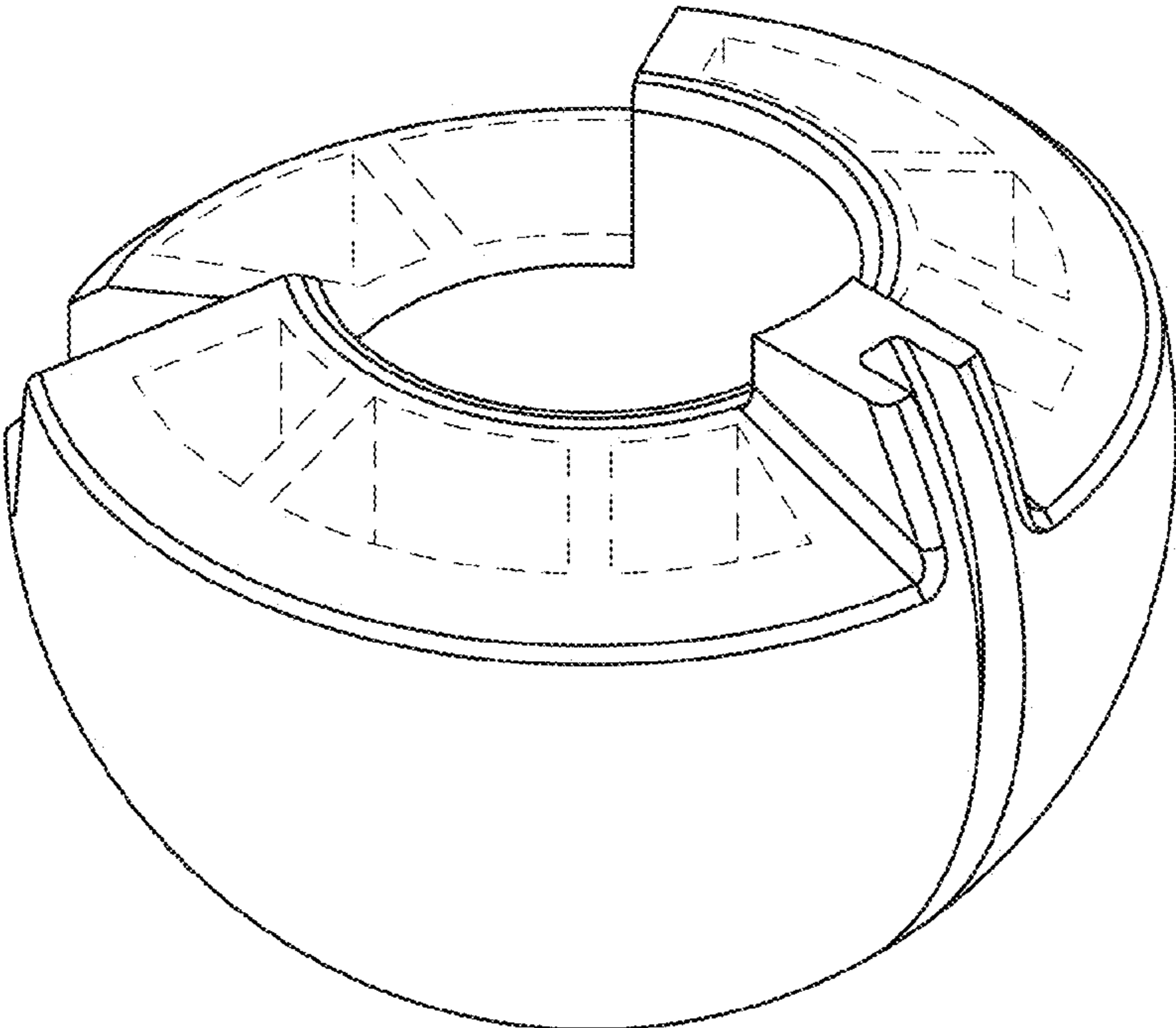


FIG.1

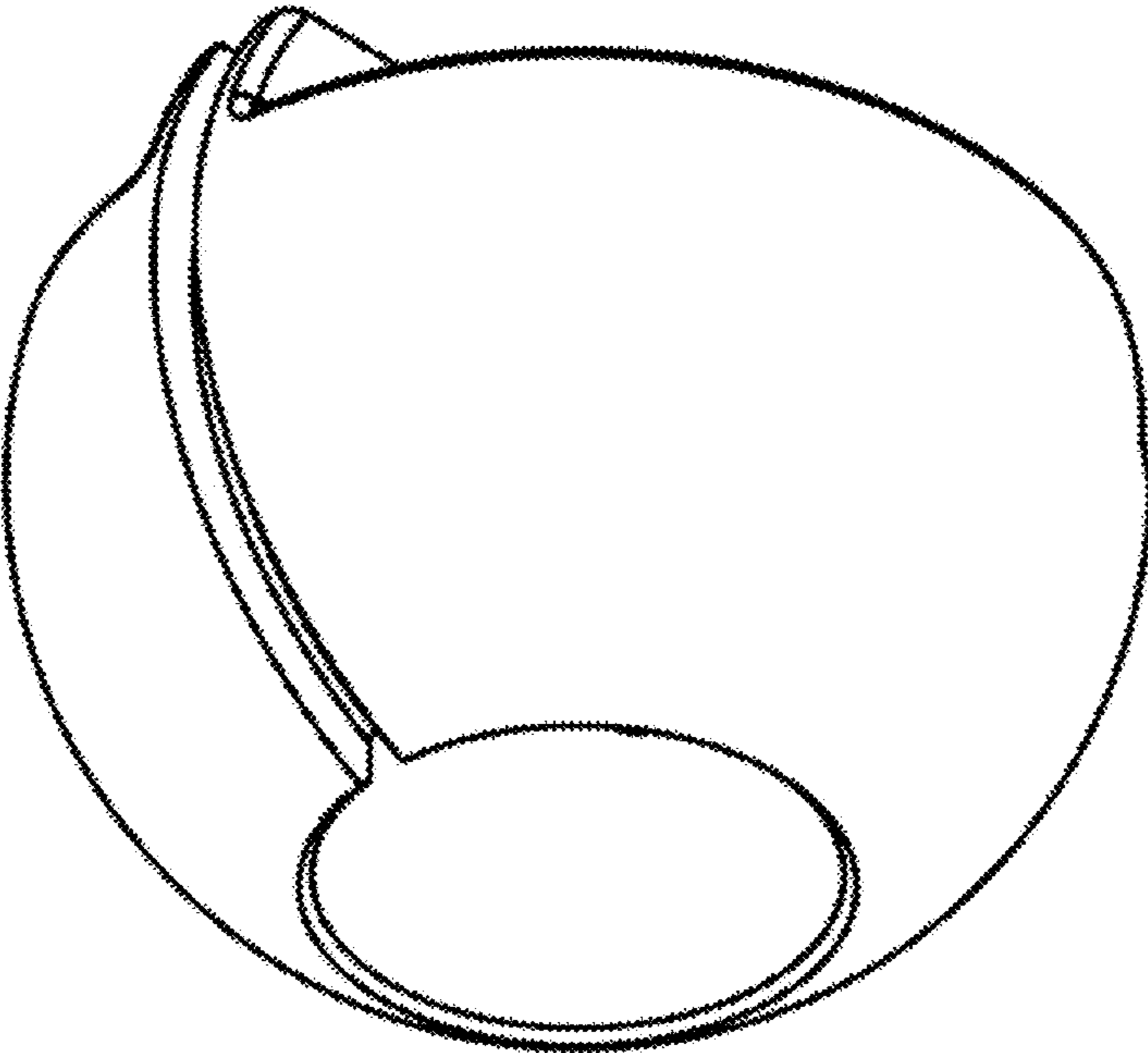


FIG. 2

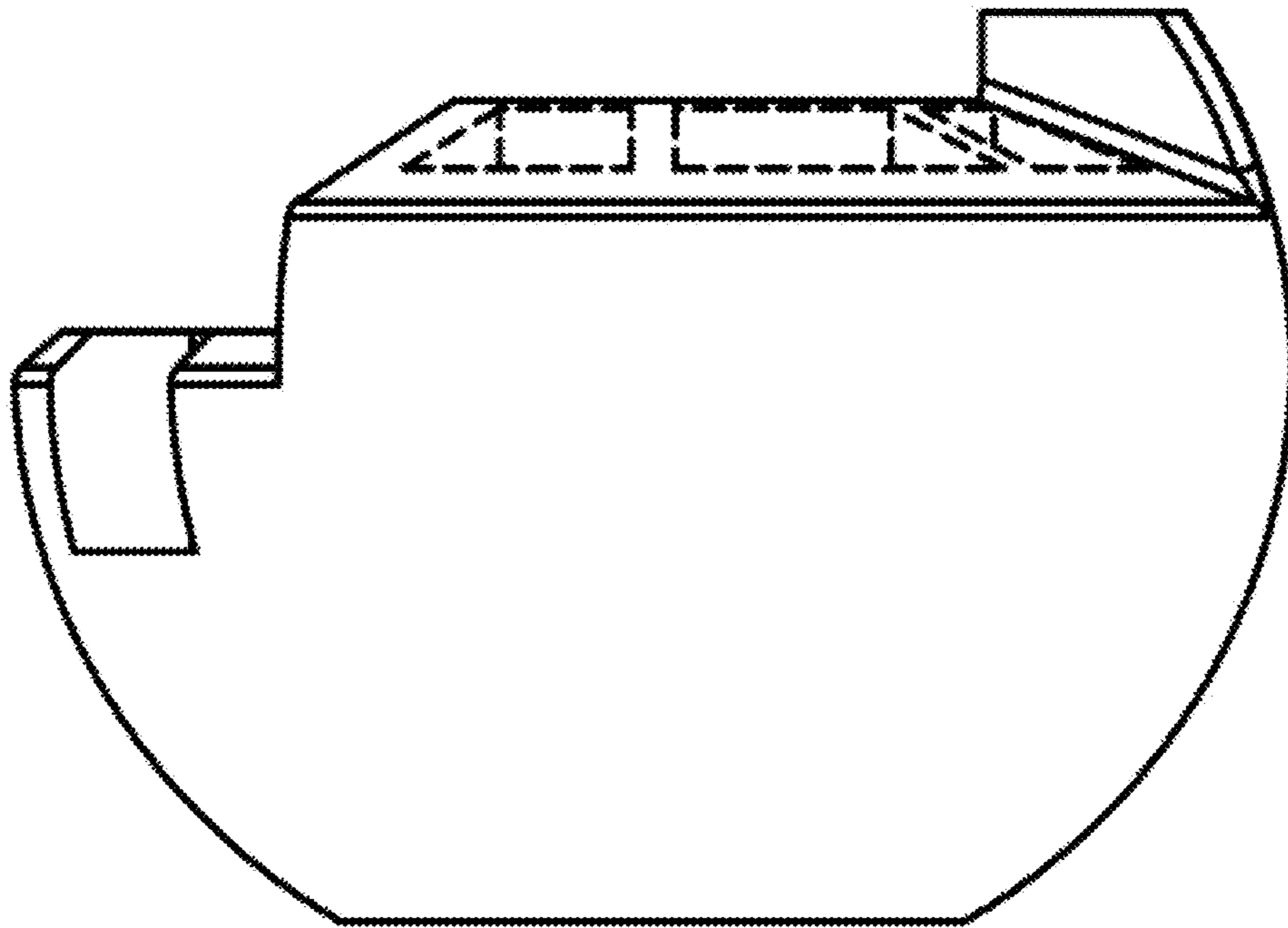


FIG. 3

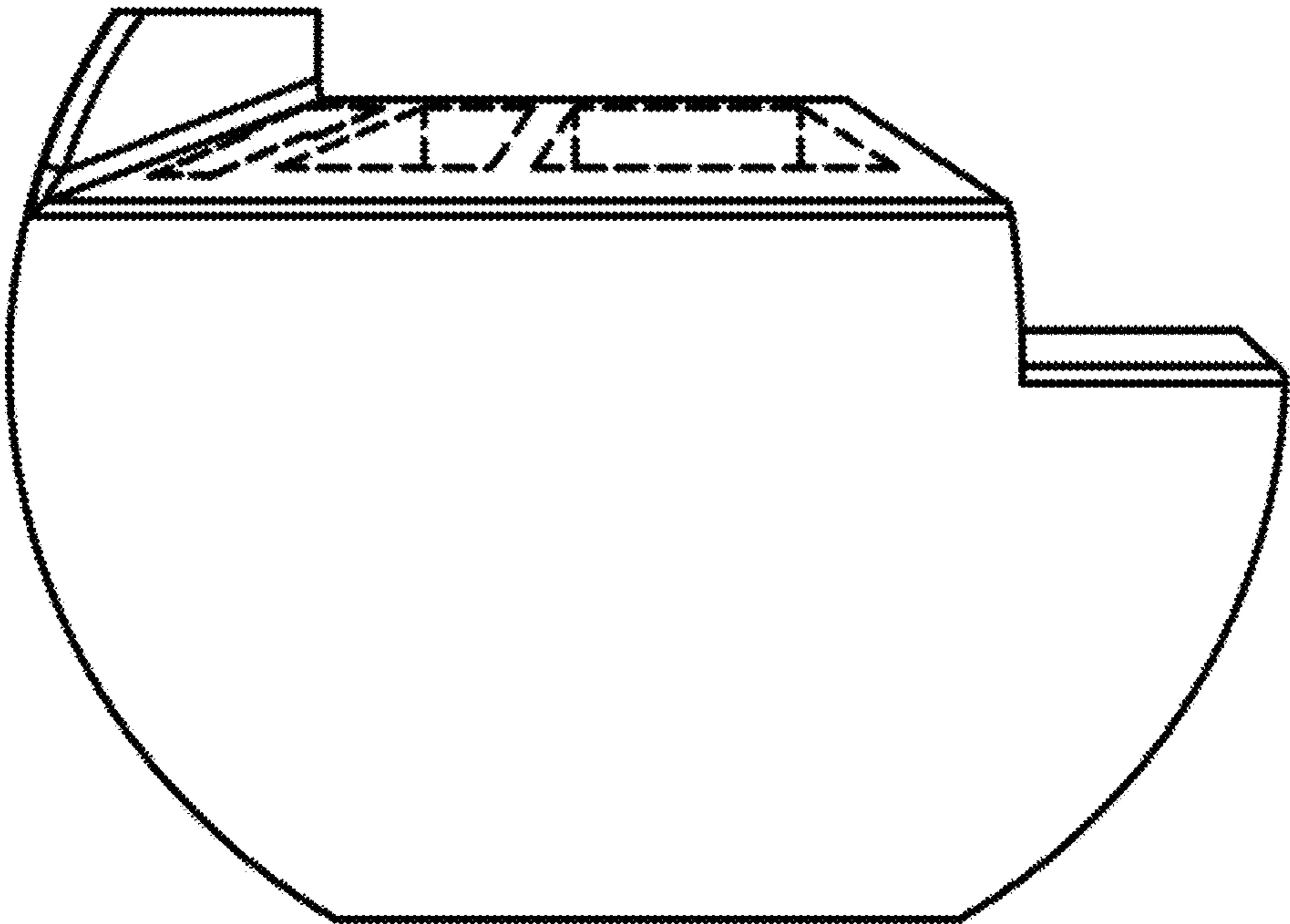


FIG. 4

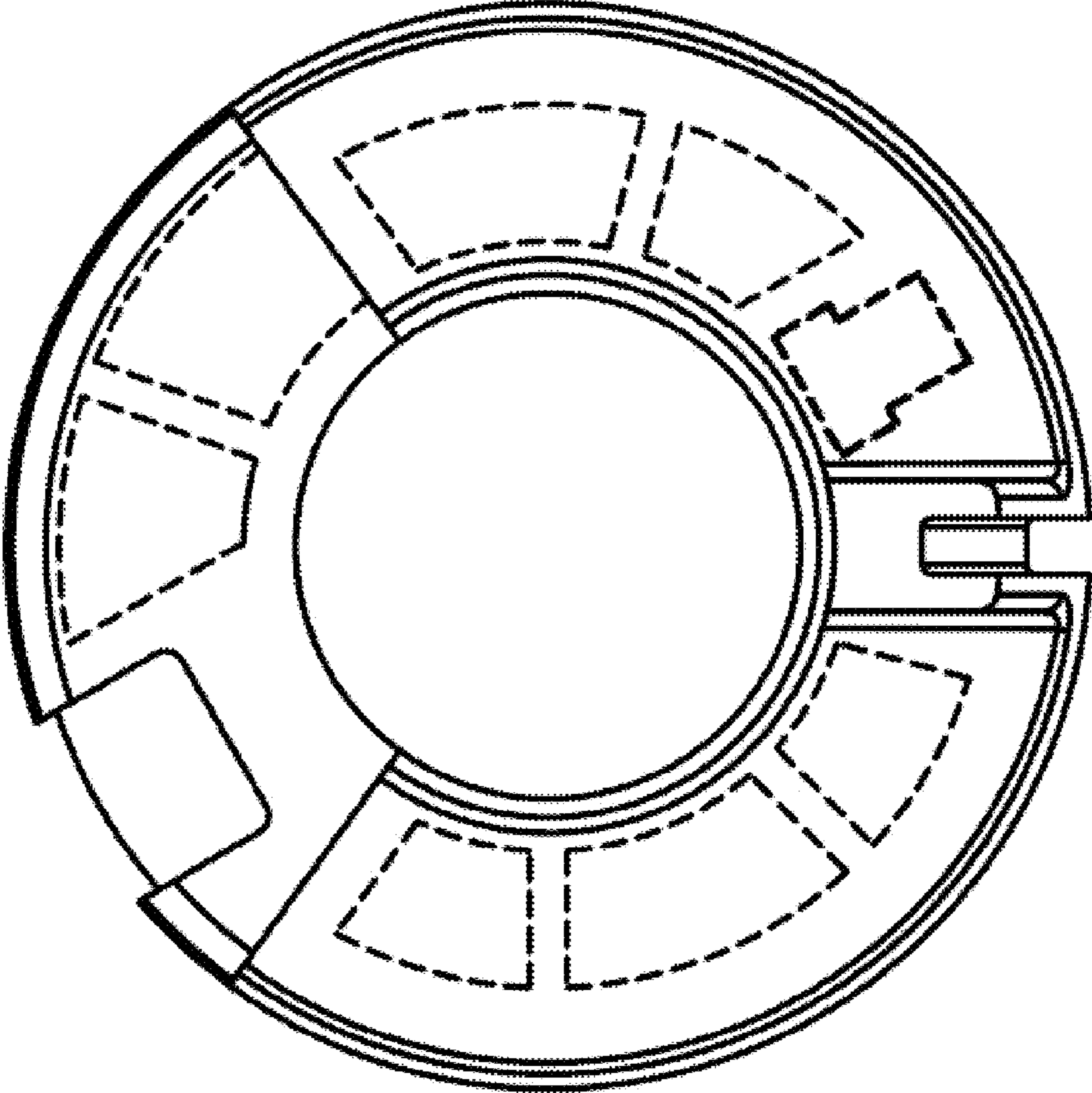


FIG. 5

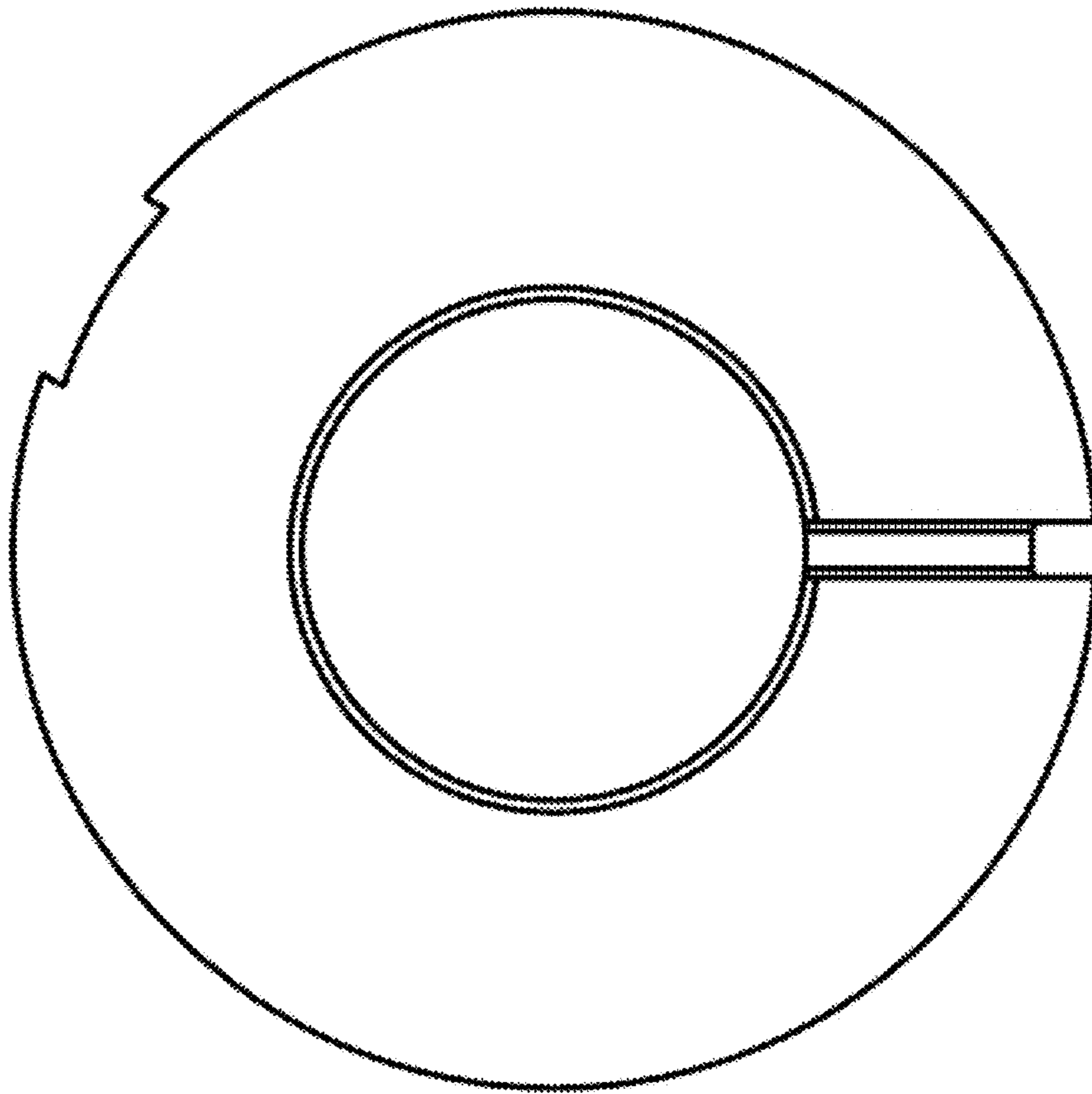


FIG. 6



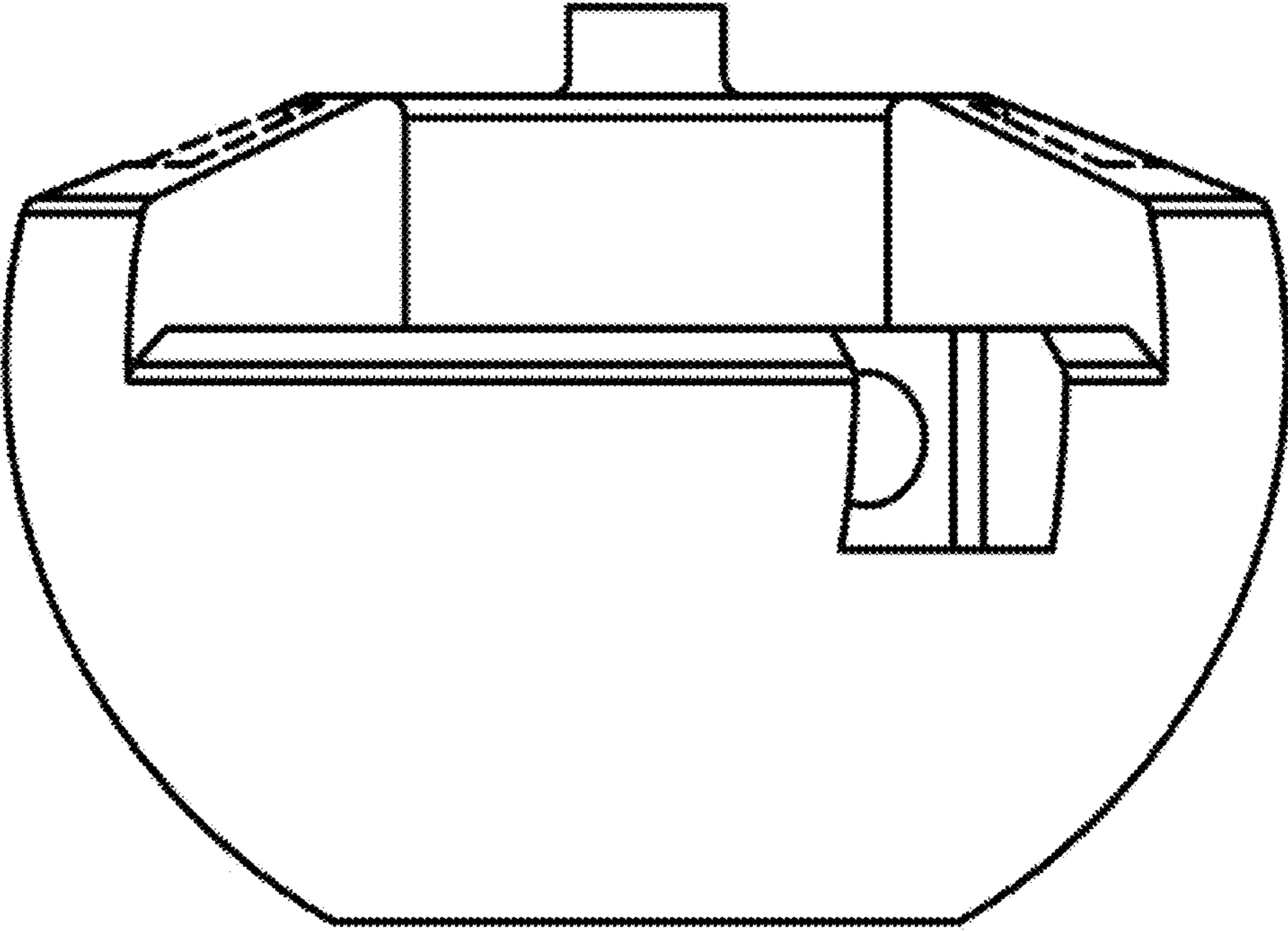


FIG. 7

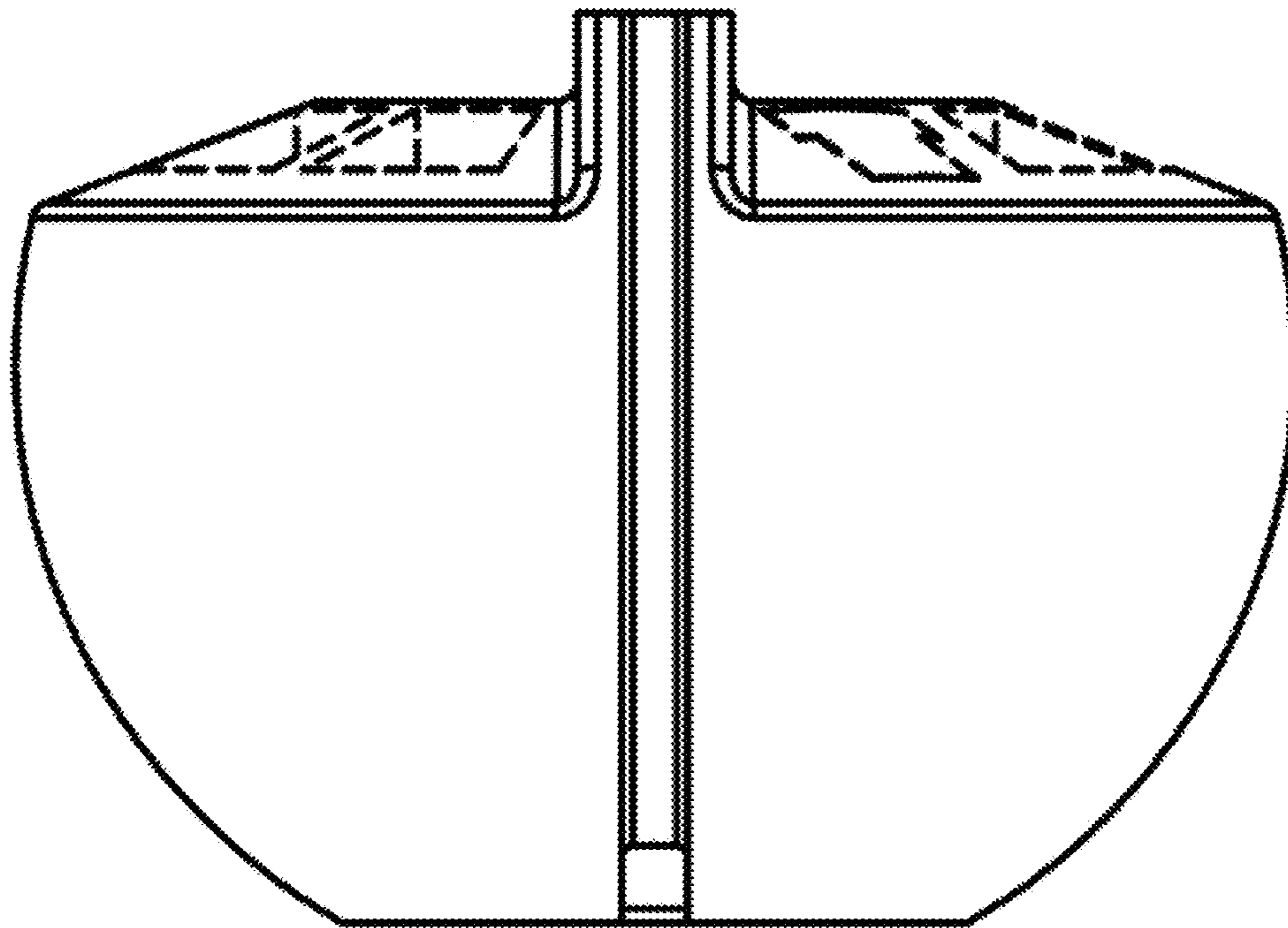


FIG. 8