



US00D714925S

(12) **United States Design Patent**  
**Pan**

(10) **Patent No.:** **US D714,925 S**  
(45) **Date of Patent:** **\*\* Oct. 7, 2014**

(54) **COMBINED CEILING FAN AND LIGHT KIT**

(71) Applicant: **Air Cool Industrial Co., Ltd.**, Taichung (TW)

(72) Inventor: **Peter Pan**, Taichung (TW)

(73) Assignee: **Air Cool Industrial Co., Ltd.**, Taichung (TW)

(\*\*) Term: **14 Years**

(21) Appl. No.: **29/436,479**

(22) Filed: **Nov. 6, 2012**

(51) **LOC (10) Cl.** ..... **23-04**

(52) **U.S. Cl.**  
USPC ..... **D23/377**; D26/59

(58) **Field of Classification Search**

CPC ..... F04D 25/088; F04D 25/008; F04D 25/08;  
F04D 29/34; F04D 29/005; F04D 29/646;  
F04D 29/263; F04D 25/06; F04D 29/20;  
F04D 29/242; F04D 29/325; F04D 29/38;  
F04D 19/002; F04D 1/04; F04D 29/322;  
Y02E 10/721; F21V 33/0096; F21V 21/03;  
F21Y 2103/022; F21Y 2103/02; F03D 1/0691;  
F03D 3/005; F03D 1/0666; F03D 1/0675;  
F03D 3/002; F05B 2250/25  
USPC ..... D23/385, 370-384, 411-414, 386-394,  
D23/499; D26/51, 59, 72, 73, 80-86,  
D26/88-90; 165/244; 362/96, 294; 416/5,  
416/170 R, 214 R, 184, 206, 207, 21 OR,  
416/220 R, 244 R, 248; 417/423.1; 392/364  
See application file for complete search history.

(56) **References Cited**

**U.S. PATENT DOCUMENTS**

D62,033 S \* 3/1923 Ohm ..... D26/84  
4,428,032 A \* 1/1984 Workman ..... 362/96  
4,796,166 A \* 1/1989 Greenberg ..... 362/96

D347,056 S \* 5/1994 Bucher et al. .... D23/411  
D363,346 S \* 10/1995 Wang ..... D23/377  
D364,224 S \* 11/1995 Wang ..... D23/377  
D382,954 S \* 8/1997 Liu ..... D23/377  
D383,531 S \* 9/1997 Tsuji ..... D23/411  
D388,164 S \* 12/1997 Pickett ..... D23/377  
D390,946 S \* 2/1998 Schulzman ..... D23/377  
D397,199 S \* 8/1998 Pickett ..... D23/377  
D402,362 S \* 12/1998 Pickett ..... D23/377  
D405,172 S \* 2/1999 LaSpina et al. .... D23/377  
D412,571 S \* 8/1999 Lee ..... D23/377  
D418,217 S \* 12/1999 LaSpina et al. .... D23/377  
D418,914 S \* 1/2000 Zuege ..... D23/411  
D421,115 S \* 2/2000 Gee, II ..... D23/411  
D424,679 S \* 5/2000 LaSpina ..... D23/377  
D426,295 S \* 6/2000 LaSpina et al. .... D23/377  
D431,290 S \* 9/2000 LaSpina et al. .... D23/377  
D453,389 S \* 2/2002 Phillips ..... D26/84  
D457,619 S \* 5/2002 Hsieh ..... D23/411  
D483,463 S \* 12/2003 Tai ..... D23/377

(Continued)

*Primary Examiner* — Susan Bennett Hattan

*Assistant Examiner* — Marie Fast Horse

(74) *Attorney, Agent, or Firm* — Ming Chow; Sinorica, LLC

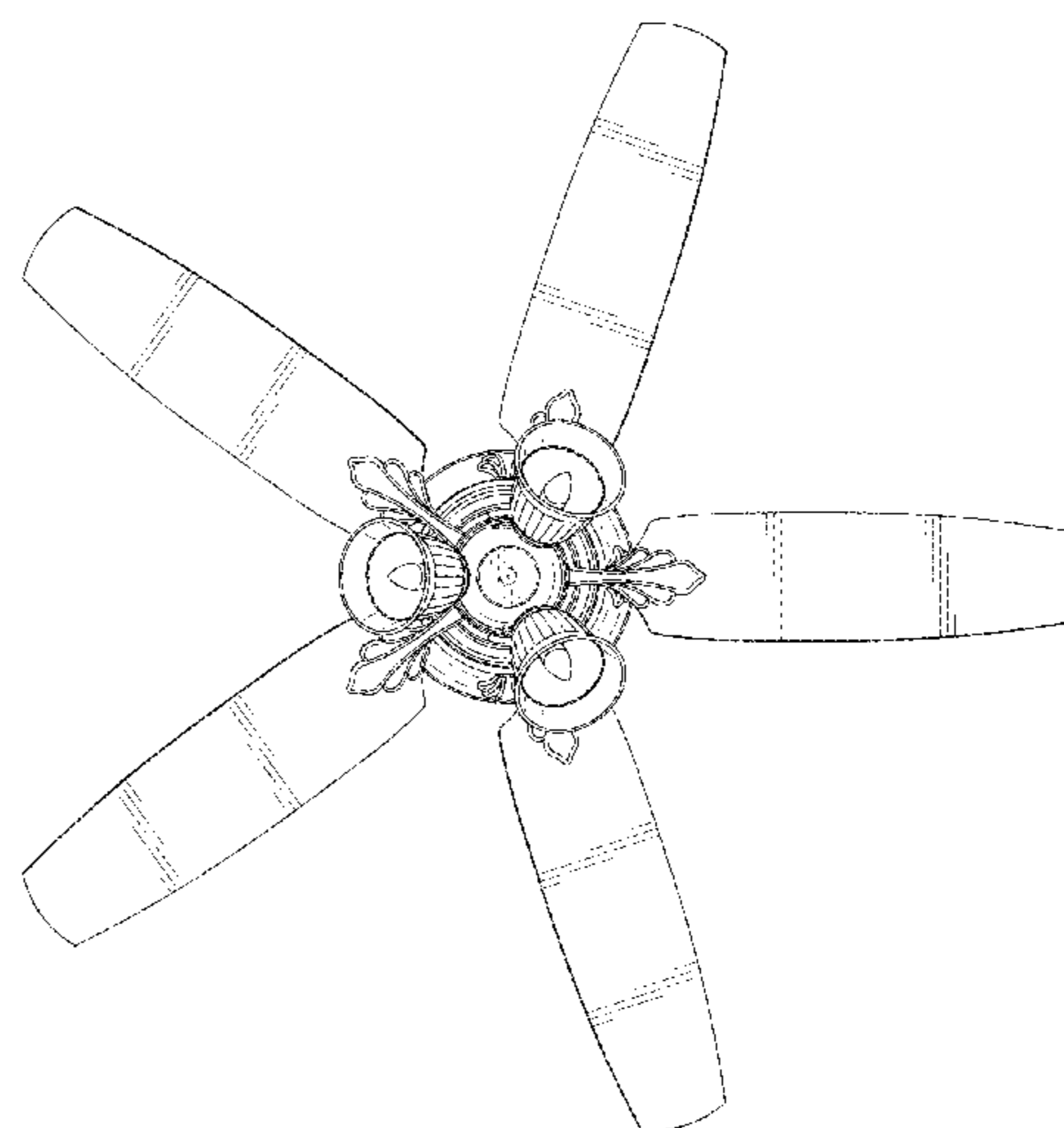
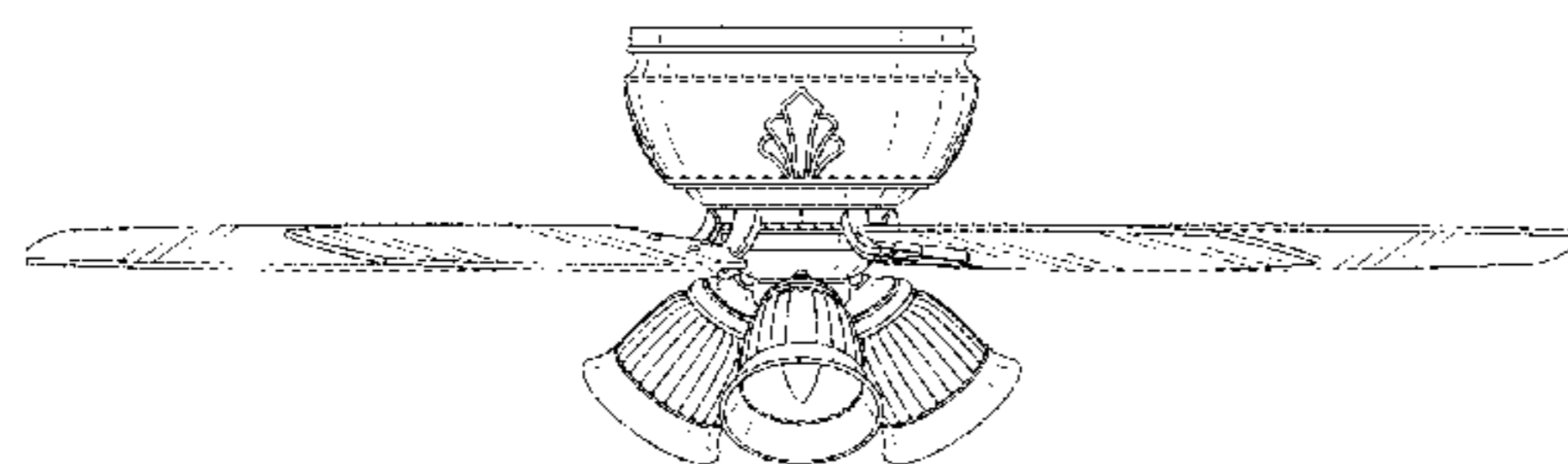
(57) **CLAIM**

I claim the ornamental design for a combined ceiling fan and light kit, as shown and described.

**DESCRIPTION**

FIG. 1 is a front perspective view of a combined ceiling fan and light kit showing my new design;  
FIG. 2 is a front elevational view thereof;  
FIG. 3 is a rear elevational view thereof.  
FIG. 4 is a left side elevational view thereof;  
FIG. 5 is a right side elevational view thereof;  
FIG. 6 is a top plan view thereof; and,  
FIG. 7 is a bottom plan view thereof.  
The broken lines in the drawings depict environmental subject matter only and form no part of the claimed design.

**1 Claim, 5 Drawing Sheets**



(56)

**References Cited**

U.S. PATENT DOCUMENTS

D483,465 S *	12/2003	Tai	.....	D23/377	D551,757 S *	9/2007	Ertze	.....	D23/411
D483,849 S *	12/2003	Tai	.....	D23/377	D577,809 S *	9/2008	Frisch	.....	D23/411
D485,344 S *	1/2004	Tai	.....	D23/377	D580,545 S *	11/2008	Pickett	.....	D23/411
D488,578 S *	4/2004	O'Tierney	.....	D26/81	D594,543 S *	6/2009	Pan	.....	D23/377
D522,645 S *	6/2006	Ertze	.....	D23/411	D626,212 S *	10/2010	Shurtleff	.....	D23/411
D525,698 S *	7/2006	Wang	.....	D23/377	D627,046 S *	11/2010	Wang	.....	D23/377
D526,401 S *	8/2006	Hidalgo	.....	D23/377	D627,052 S *	11/2010	Pan	.....	D23/411
D531,297 S *	10/2006	Ertze	.....	D23/377	D627,455 S *	11/2010	Pan	.....	D23/411
D533,653 S *	12/2006	Hidalgo	.....	D23/377	D627,870 S *	11/2010	Wang	.....	D23/411
D533,937 S *	12/2006	Pan	.....	D23/411	D628,286 S *	11/2010	Yang	.....	D23/411
D537,974 S *	3/2007	Yuan	.....	D26/84	D632,382 S *	2/2011	Pan	.....	D23/377
					7,914,163 B2 *	3/2011	Barrett et al.	.....	362/96
					8,047,795 B2 *	11/2011	Pearce	.....	416/210 OR

\* cited by examiner

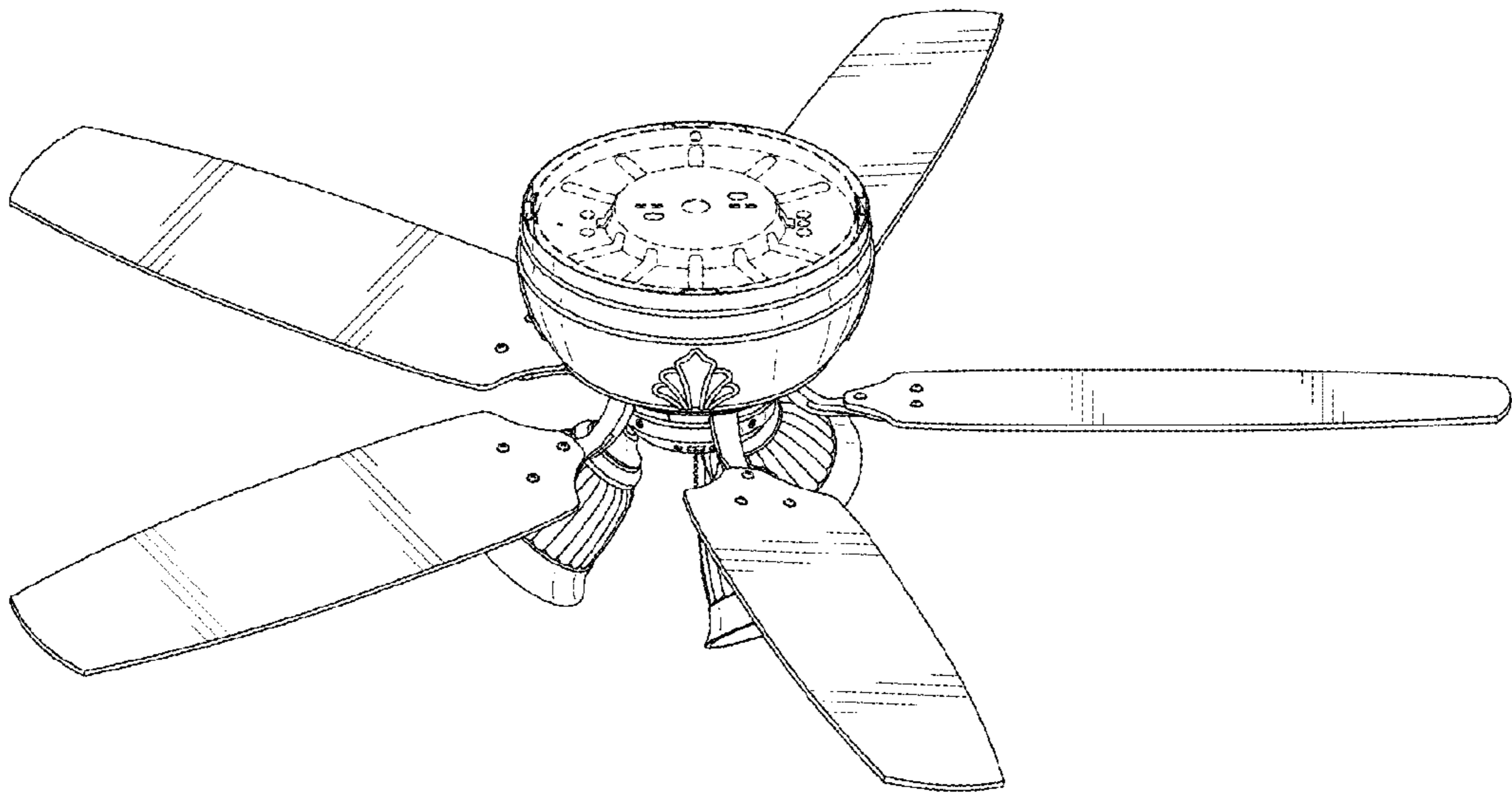


FIG. 1

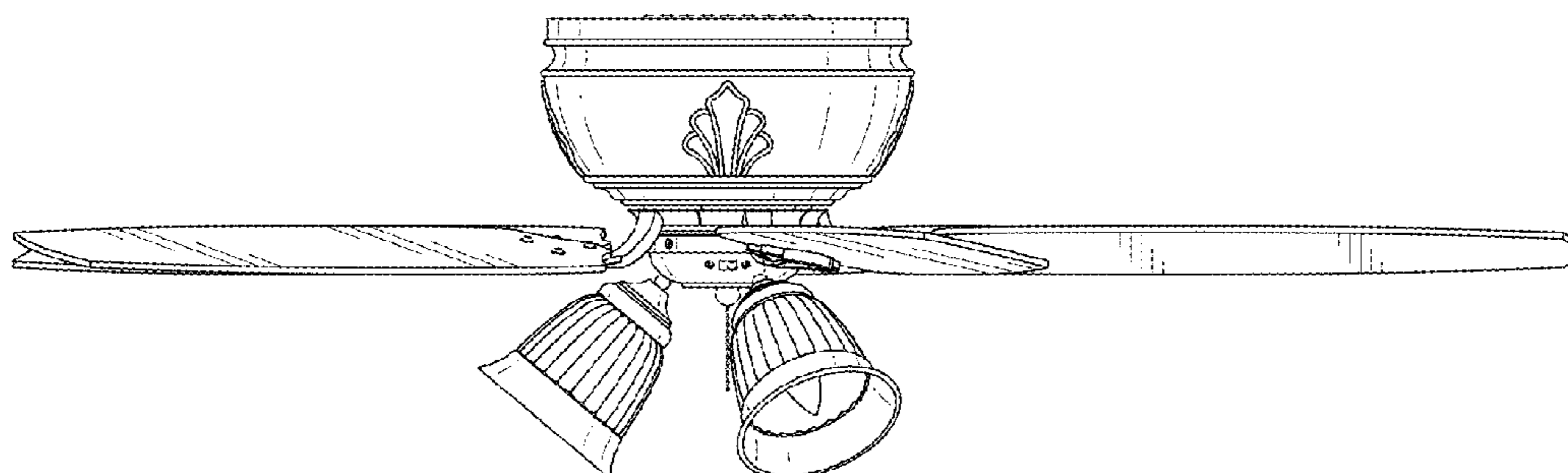


FIG. 2

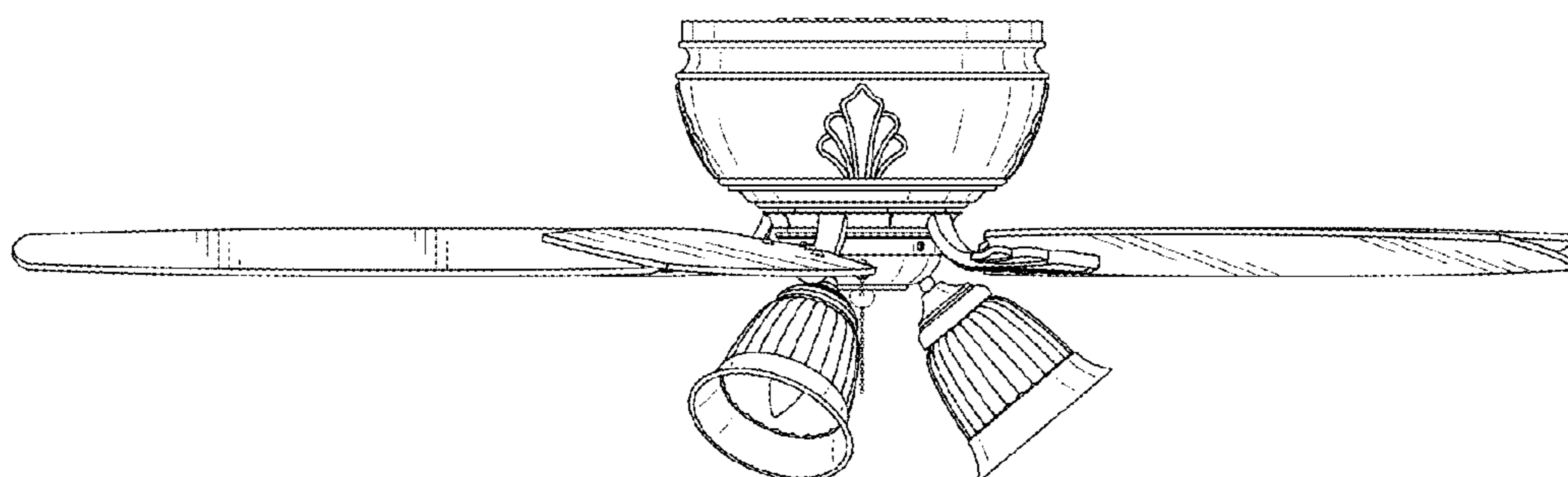


FIG. 3

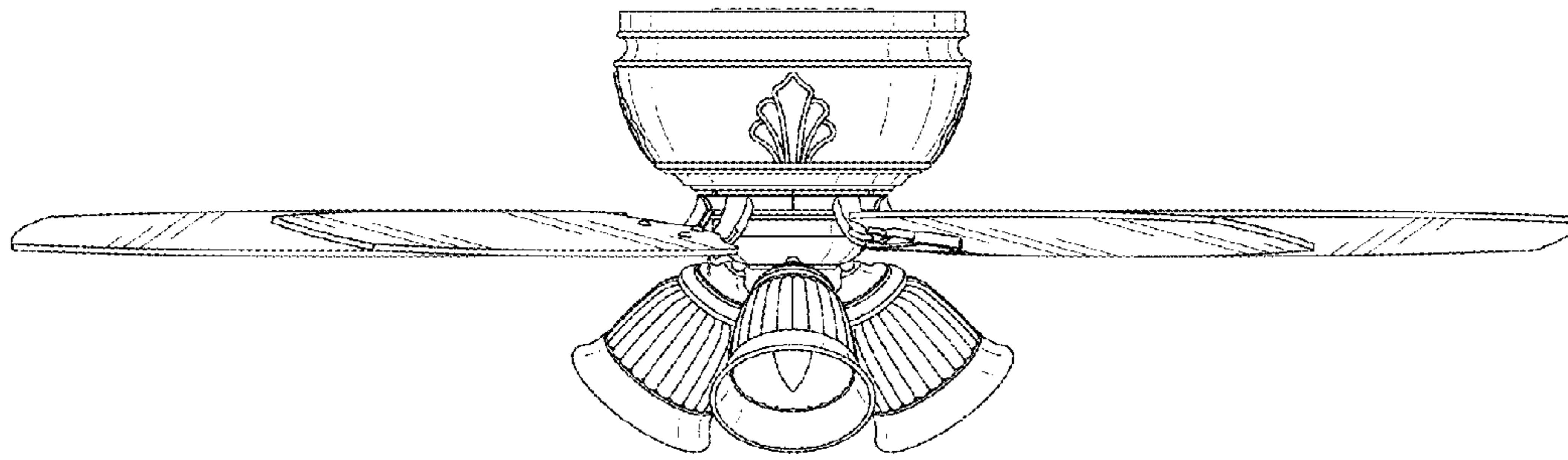


FIG. 4

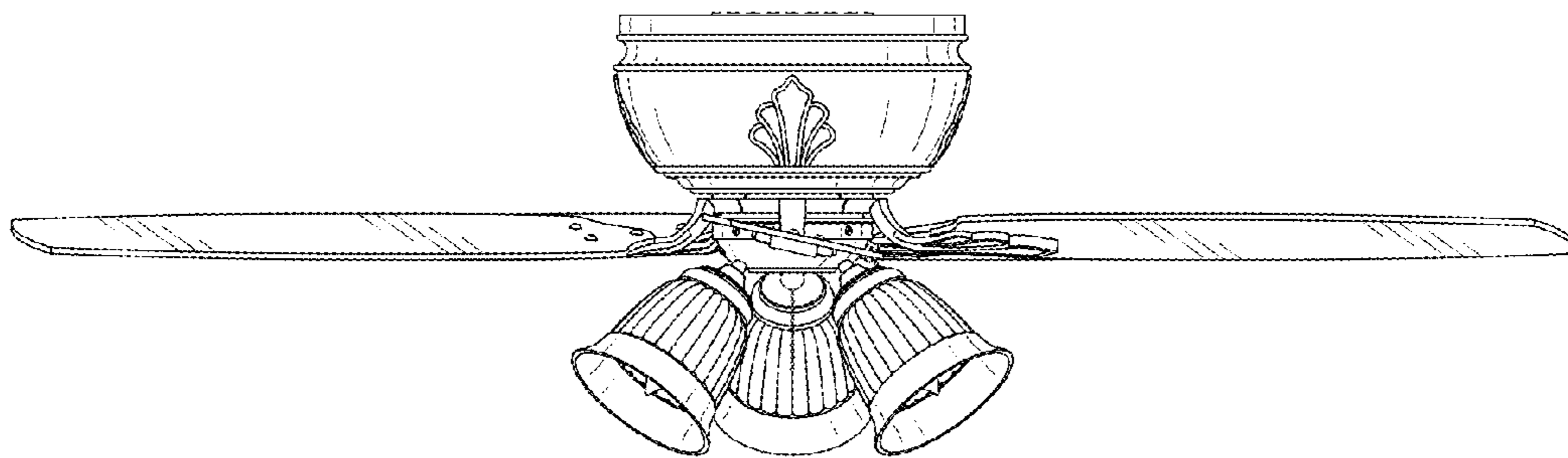


FIG. 5

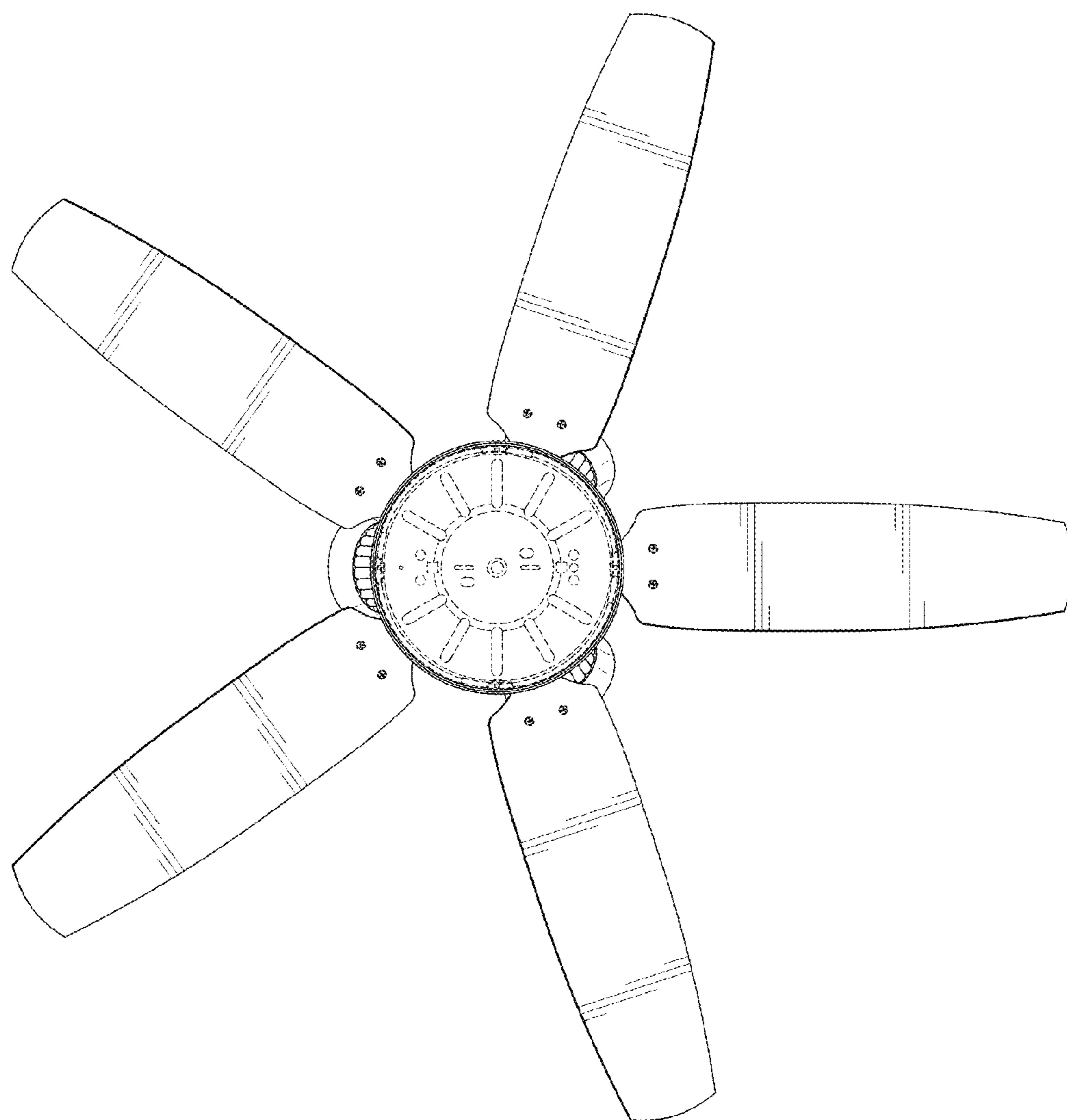


FIG. 6

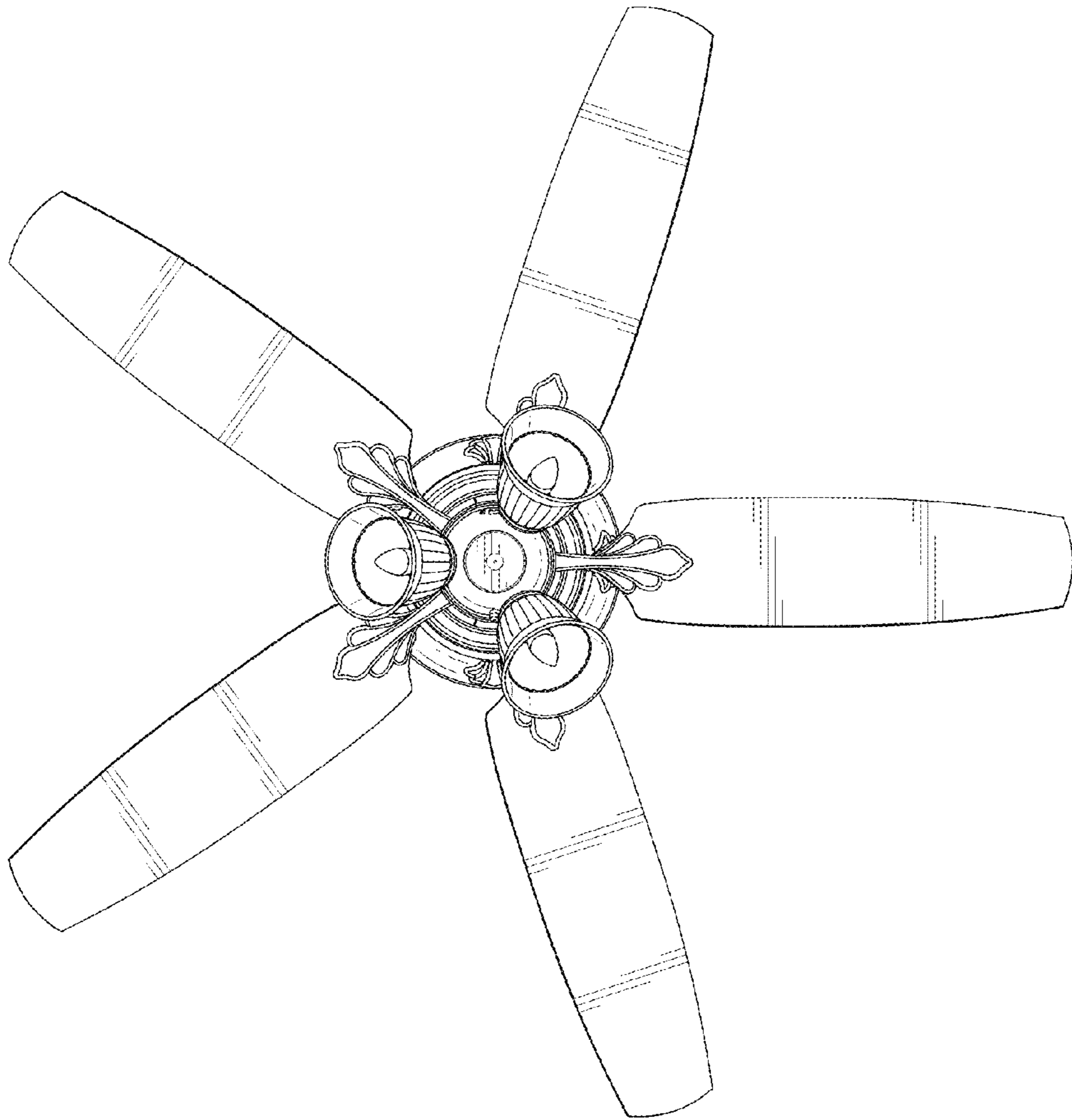


FIG. 7