



US00D714924S

(12) **United States Design Patent**
Brandenburg

(10) **Patent No.:** **US D714,924 S**
(45) **Date of Patent:** **** Oct. 7, 2014**

(54) **AIR FRESHENING ORNAMENT**

(71) Applicant: **Brandywine Product Group International Inc.**, Wilmington, DE (US)

(72) Inventor: **Kyle Brandenburg**, Middletown, DE (US)

(73) Assignee: **Brandywine Product Group International Inc.**, Wilmington, DE (US)

(**) Term: **14 Years**

(21) Appl. No.: **29/436,324**

(22) Filed: **Nov. 5, 2012**

(51) **LOC (10) Cl.** **23-99**

(52) **U.S. Cl.**
USPC **D23/367**

(58) **Field of Classification Search**
USPC D23/355-369; D28/5, 6; 261/DIG. 17, 261/DIG. 42, DIG. 65, DIG. 88, DIG. 89, 261/DIG. 47, DIG. 55, DIG. 70; 392/356, 392/390, 392, 394, 395; 239/34, 44, 53, 55, 239/56, 326, 60, 308; D10/119.1
See application file for complete search history.

(56) **References Cited**

U.S. PATENT DOCUMENTS

D196,639 S *	10/1963	Irving	D23/367
D429,325 S *	8/2000	Macaree	D23/367
D512,770 S *	12/2005	Wu	D23/367
D518,564 S *	4/2006	Wu	D23/366
D619,696 S *	7/2010	Karp	D23/367
D676,122 S *	2/2013	Trazzi	D23/367

* cited by examiner

Primary Examiner — Sandra Snapp

(74) *Attorney, Agent, or Firm* — Panitch Schwarze Belisario & Nadel LLP

(57) **CLAIM**

The ornamental design for an air freshening ornament, as shown and described.

DESCRIPTION

FIG. 1 is a right front perspective view of an air freshening ornament showing the invention in hanging configuration; FIG. 2 is a top plan view of the air freshening ornament of FIG. 1; FIG. 3 is a bottom plan view of the air freshening ornament of FIG. 1; FIG. 4 is a front elevational view of the air freshening ornament of FIG. 1; FIG. 5 is a rear elevational view of the air freshening ornament of FIG. 1; FIG. 6 is a left side elevational view of the air freshening ornament of FIG. 1; FIG. 7 is a right side elevational view of the air freshening ornament of FIG. 1; FIG. 8 is a right front perspective view of a second embodiment of an air freshening ornament showing the invention in standing configuration; FIG. 9 is a top plan view of the air freshening ornament of FIG. 8; FIG. 10 is a bottom plan view of the air freshening ornament of FIG. 8; FIG. 11 is a front elevational view of the air freshening ornament of FIG. 8; FIG. 12 is a rear elevational view of the air freshening ornament of FIG. 8; FIG. 13 is a left side elevational view of the air freshening ornament of FIG. 8; FIG. 14 is a right side elevational view of the air freshening ornament of FIG. 8; FIG. 15 is a right front perspective view of a third embodiment of an air freshening ornament showing the invention in hanging configuration; FIG. 16 is a top plan view of the air freshening ornament of FIG. 15; FIG. 17 is a bottom plan view of the air freshening ornament of FIG. 15; FIG. 18 is a front elevational view of the air freshening ornament of FIG. 15;

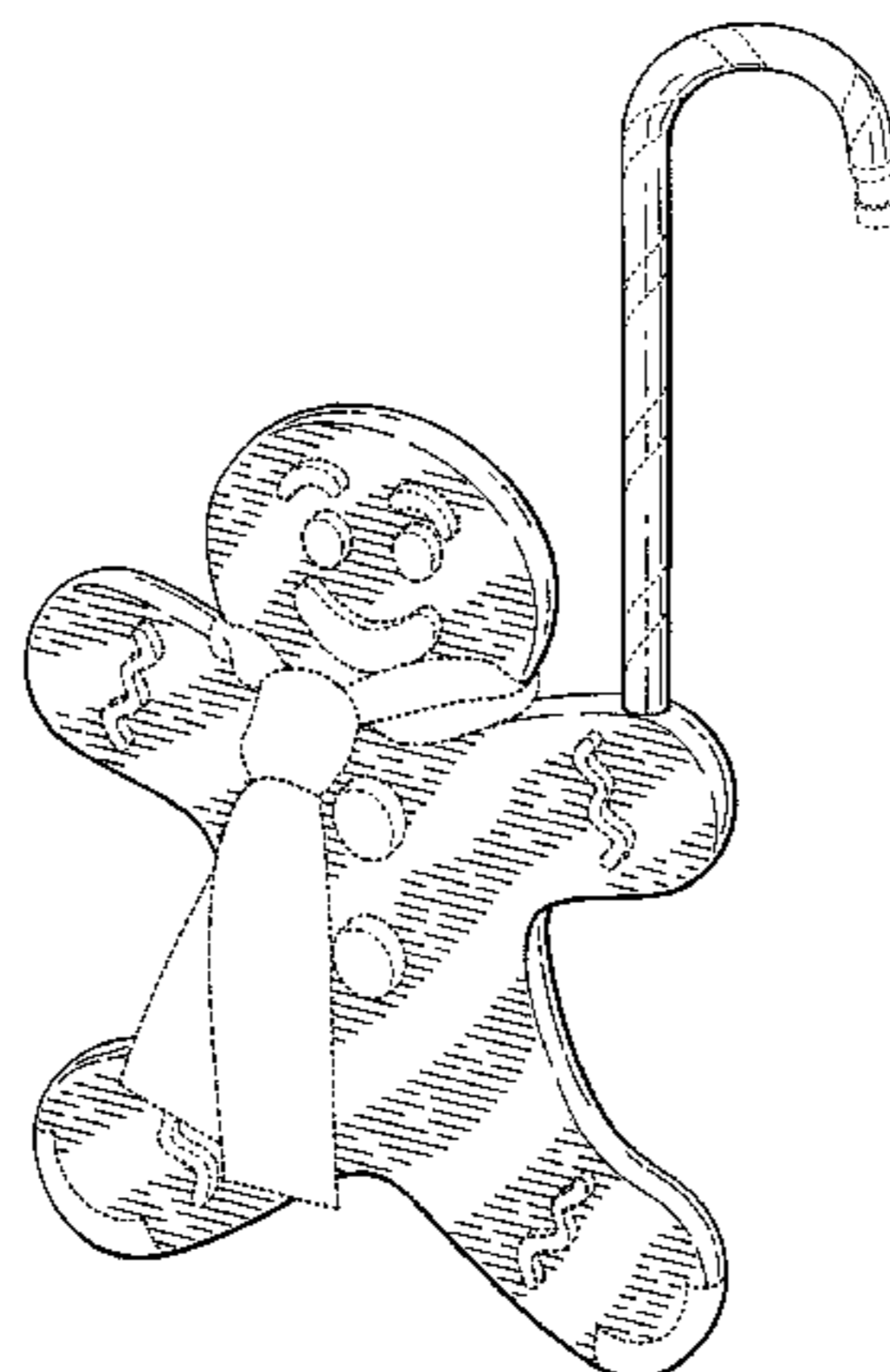


FIG. **19** is a rear elevational view of the air freshening ornament of FIG. **15**;

FIG. **20** is a left side elevational view of the air freshening ornament of FIG. **15**;

FIG. **21** is a right side elevational view of the air freshening ornament of FIG. **15**;

FIG. **22** is a right front perspective view of the third embodiment of an air freshening ornament showing the invention in standing configuration;

FIG. **23** is a top plan view of the air freshening ornament of FIG. **22**;

FIG. **24** is a bottom plan view of the air freshening ornament of FIG. **22**;

FIG. **25** is a front elevational view of the air freshening ornament of FIG. **22**;

FIG. **26** is a rear elevational view of the air freshening ornament of FIG. **22**;

FIG. **27** is a left side elevational view of the air freshening ornament of FIG. **22**; and,

FIG. **28** is a right side elevational view of the air freshening ornament of FIG. **22**.

The broken lines shown in the drawings are for illustrative purposes only and form no part of the claimed design.

1 Claim, 10 Drawing Sheets

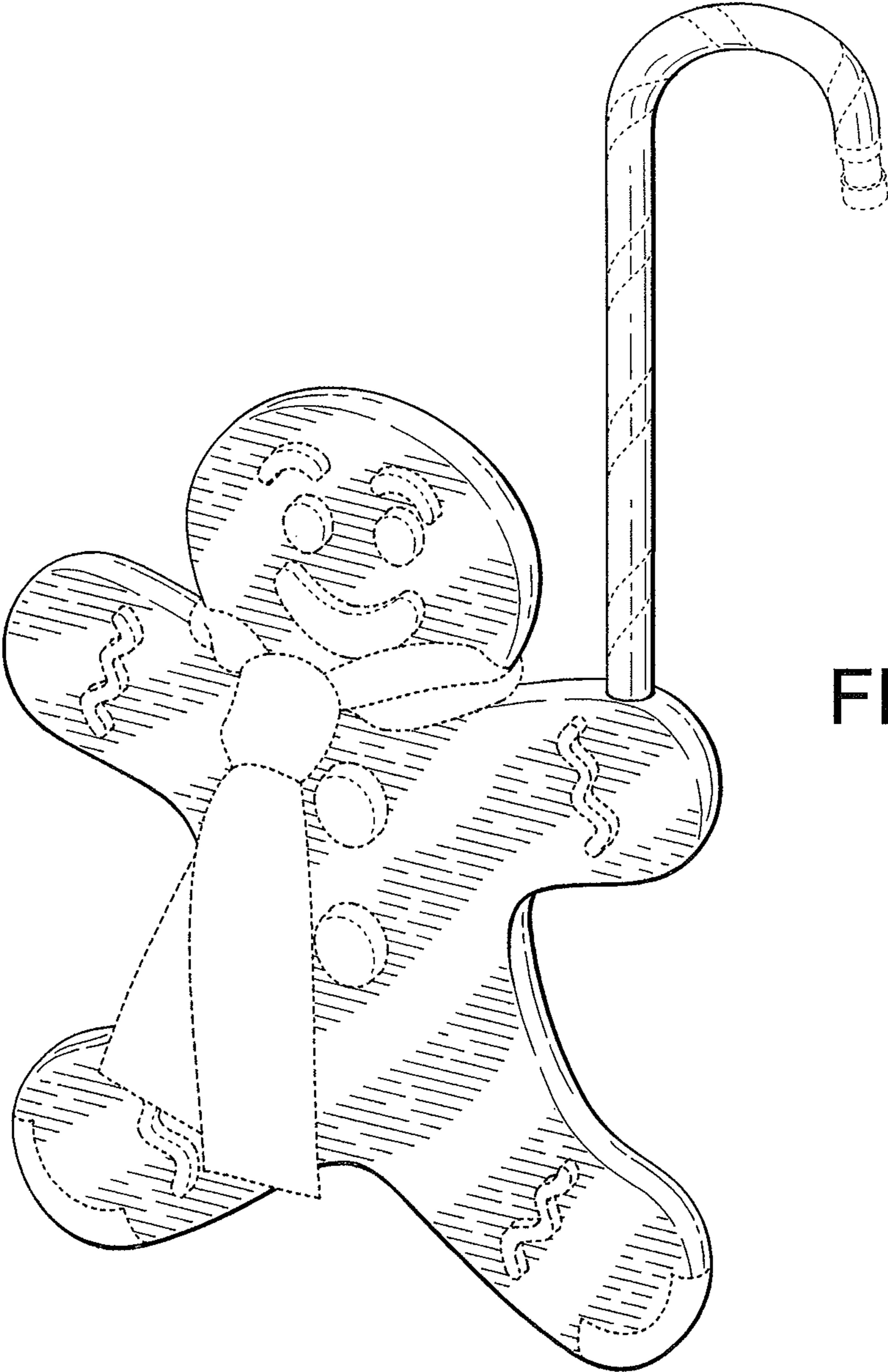


FIG. 1

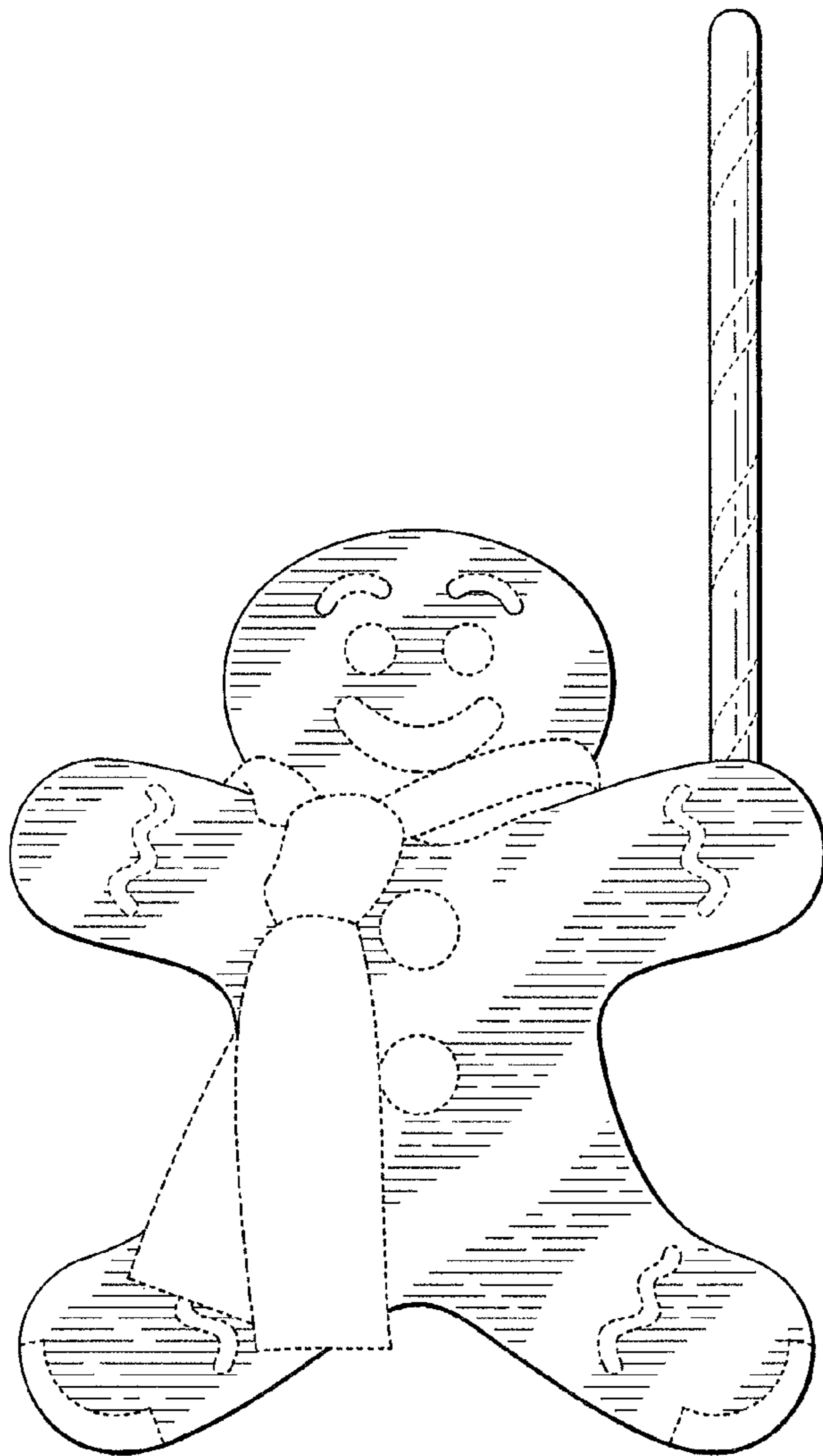


FIG. 4

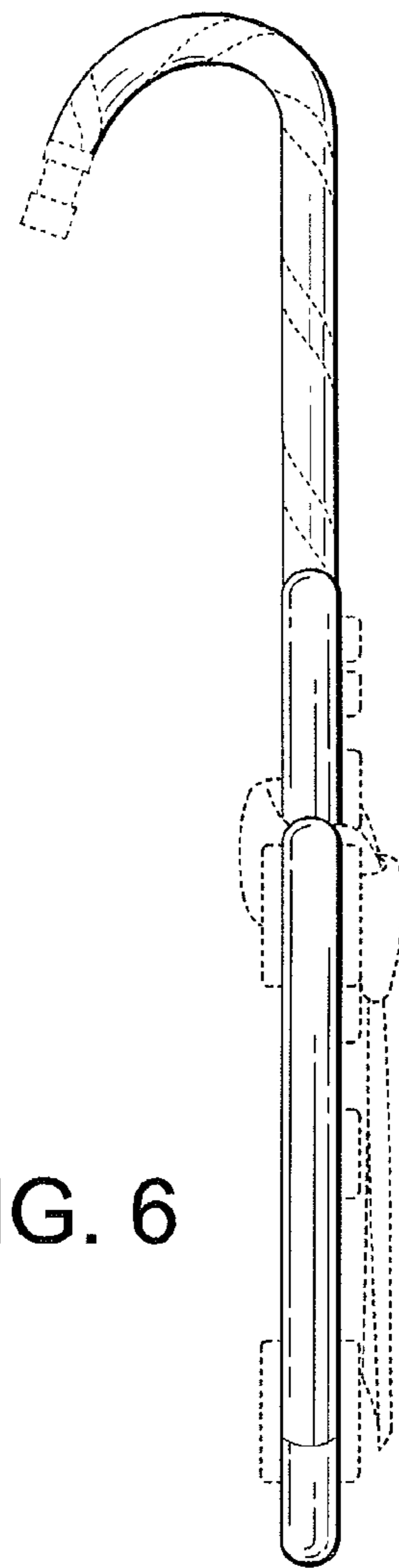
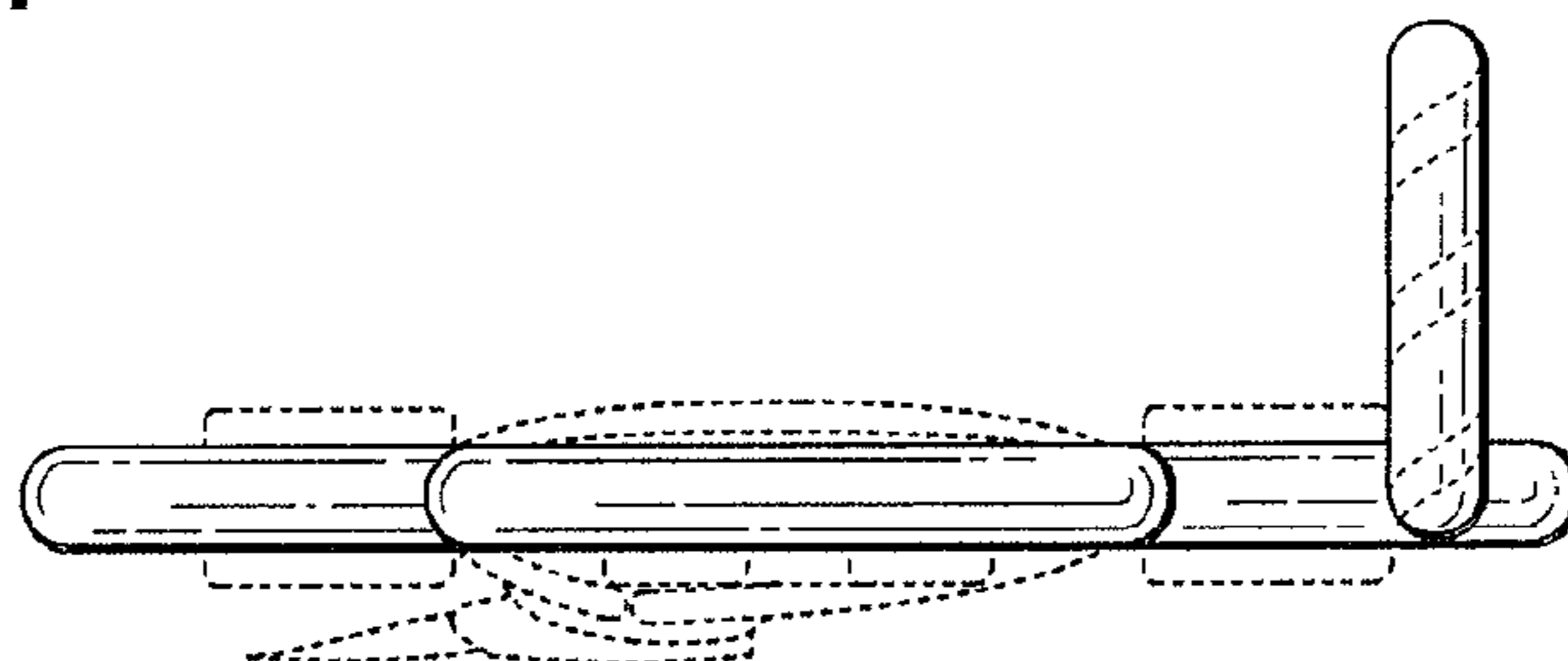


FIG. 6

FIG. 2



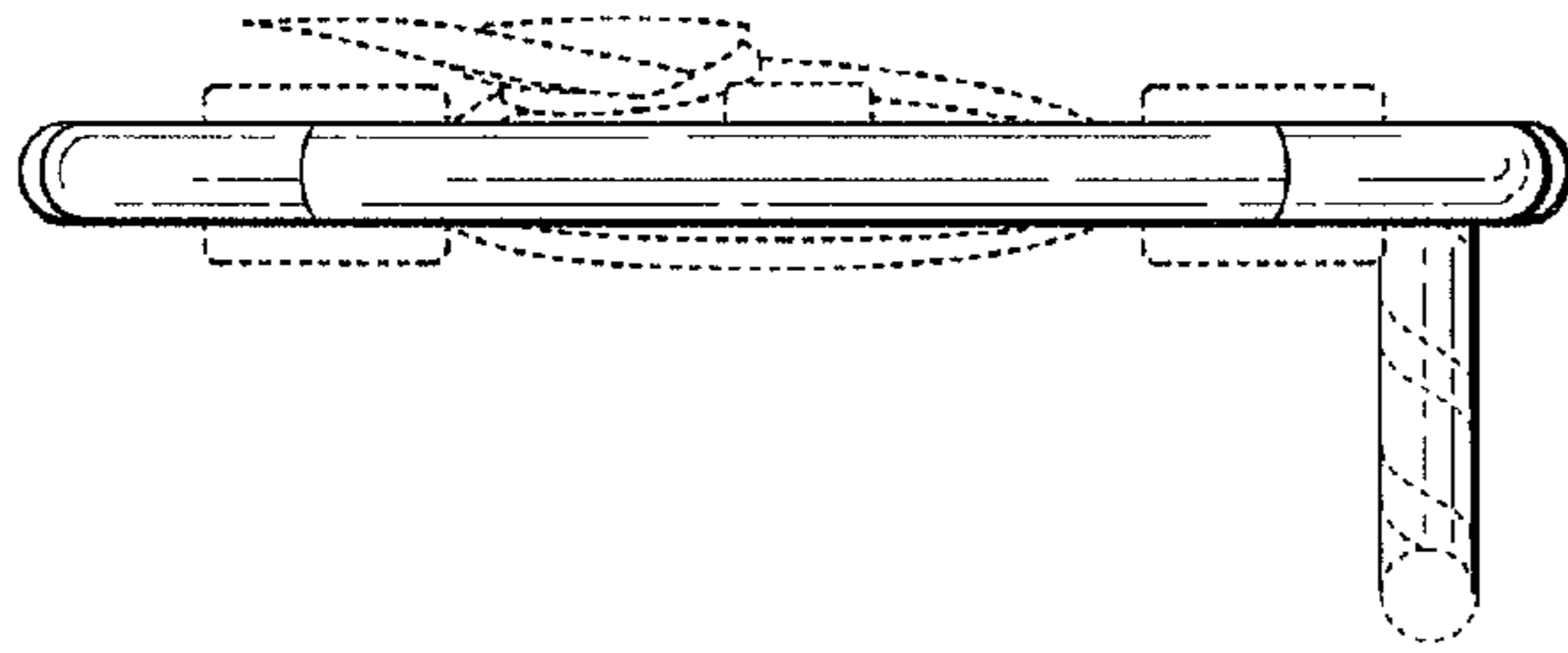


FIG. 3

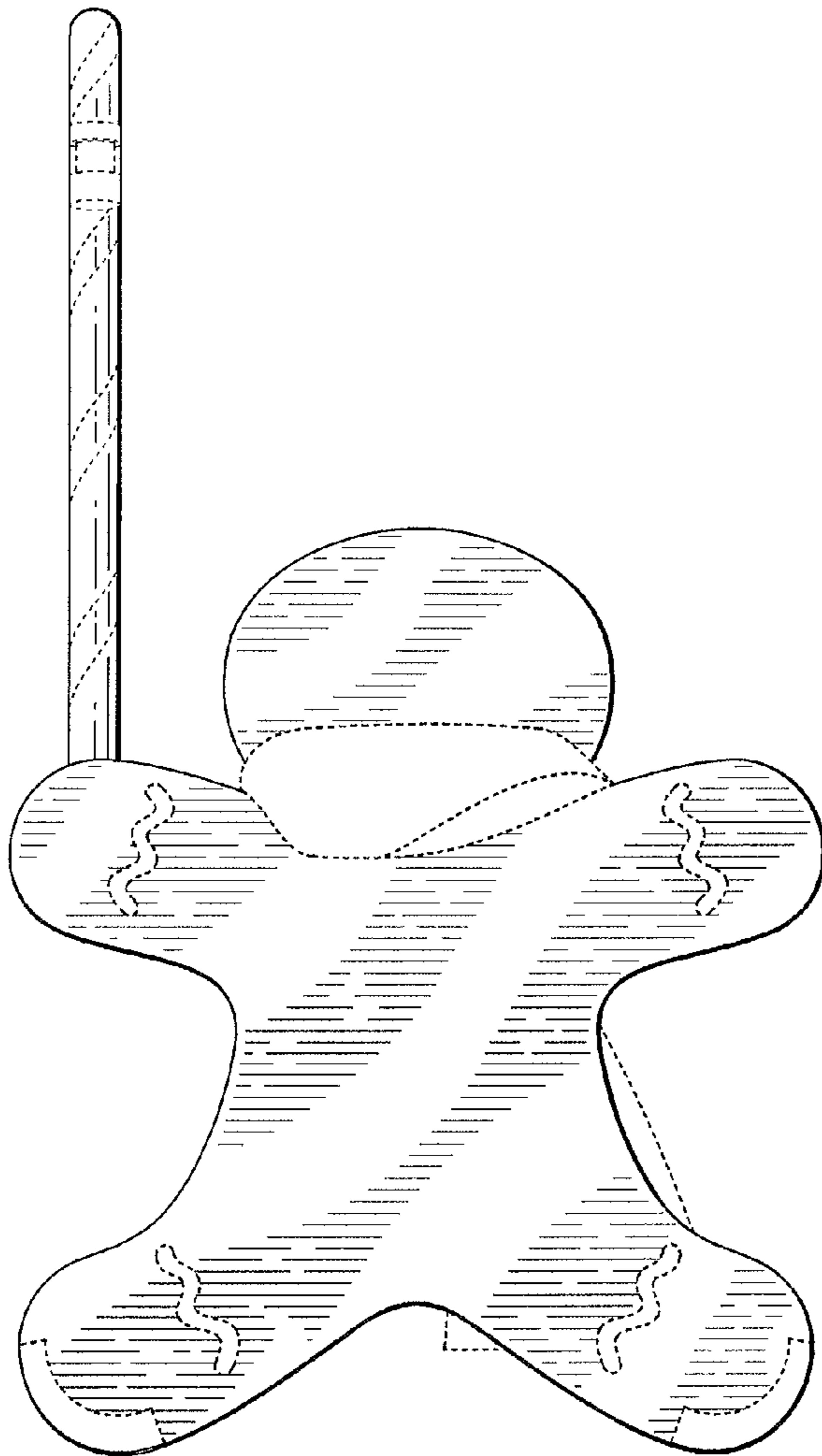


FIG. 5

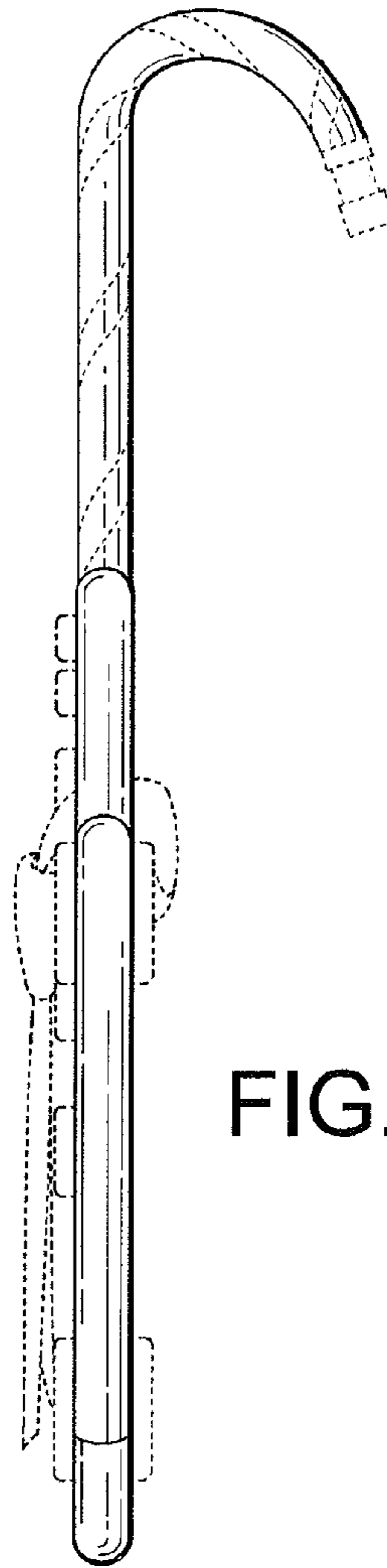


FIG. 7

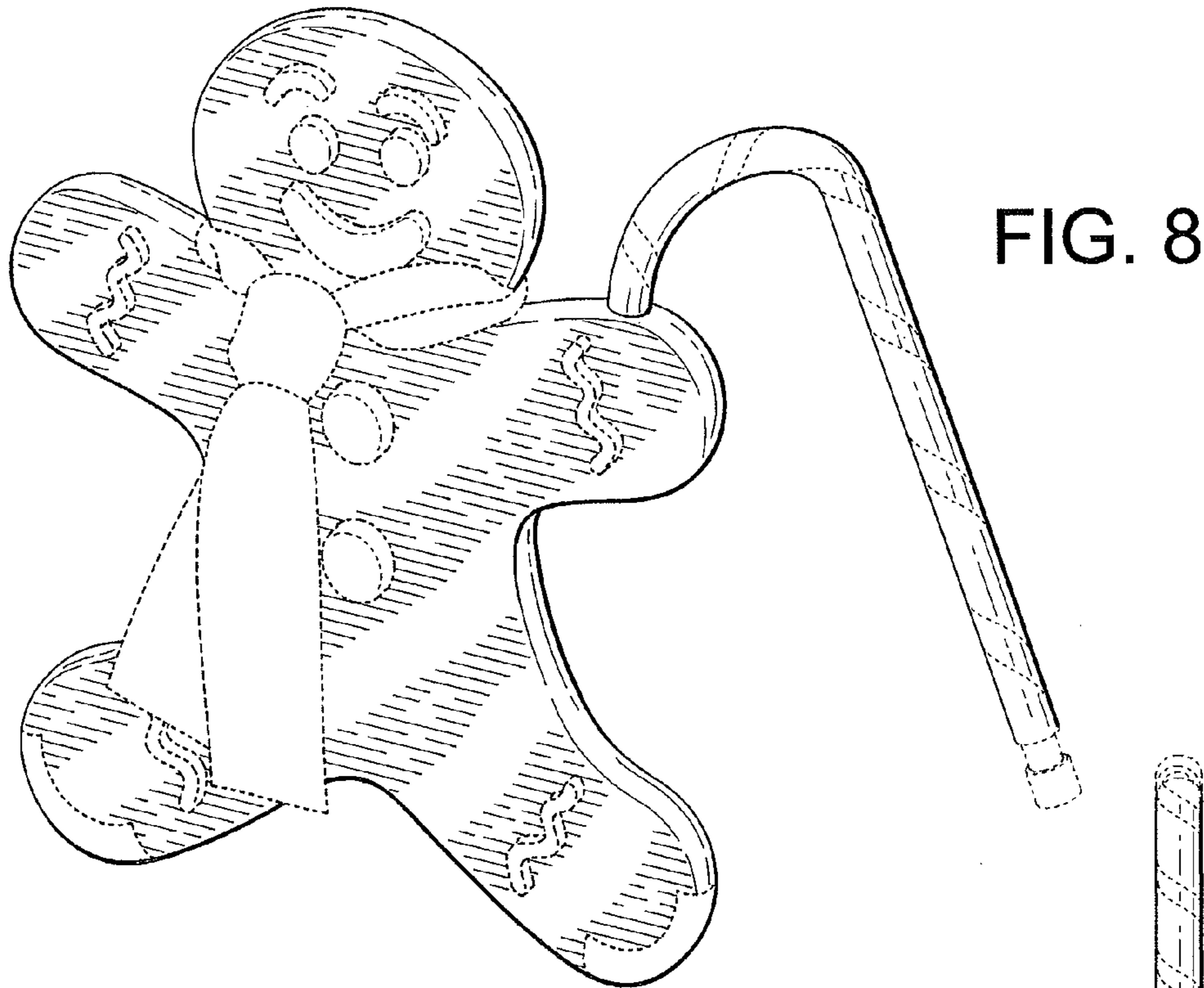


FIG. 9

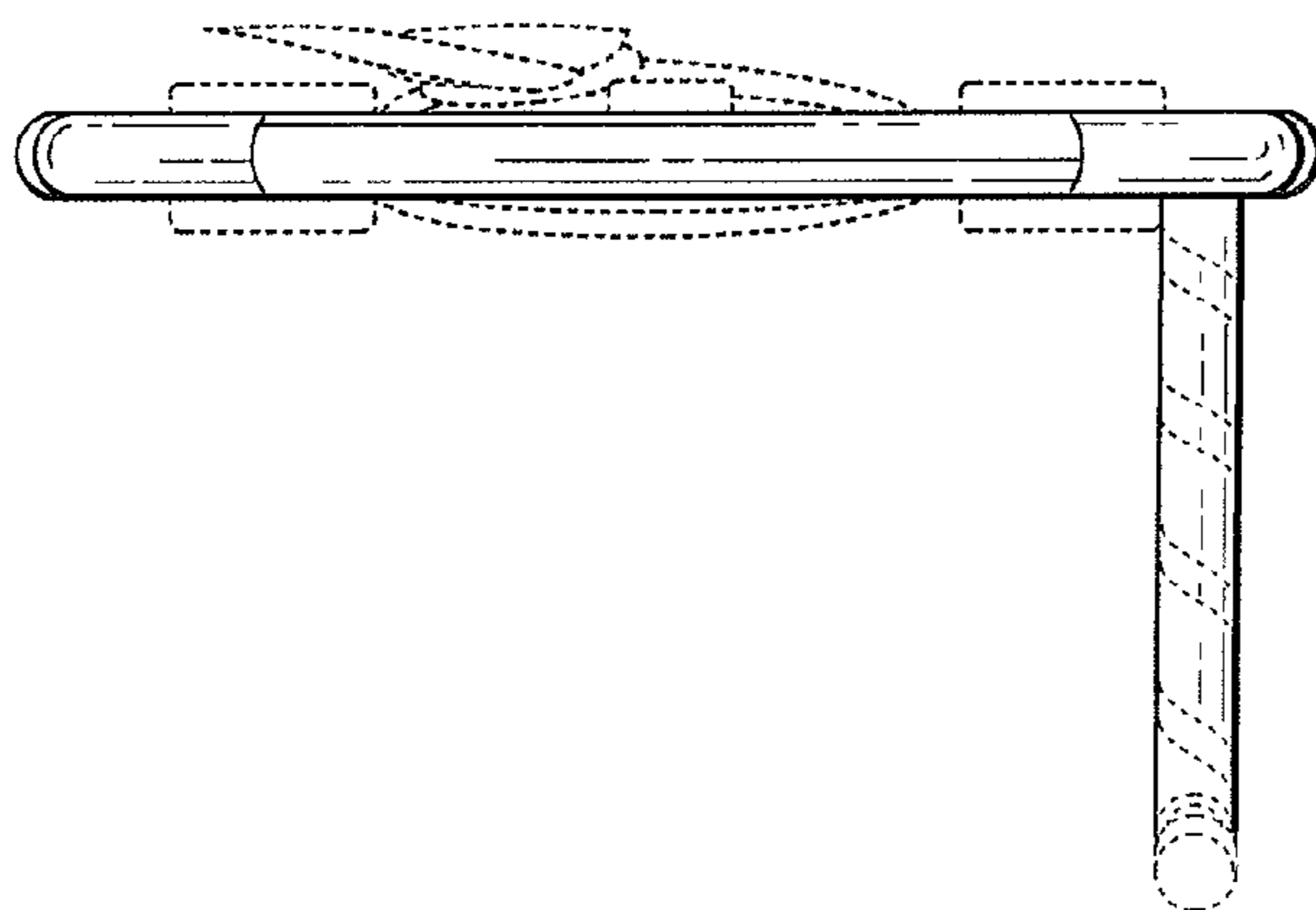
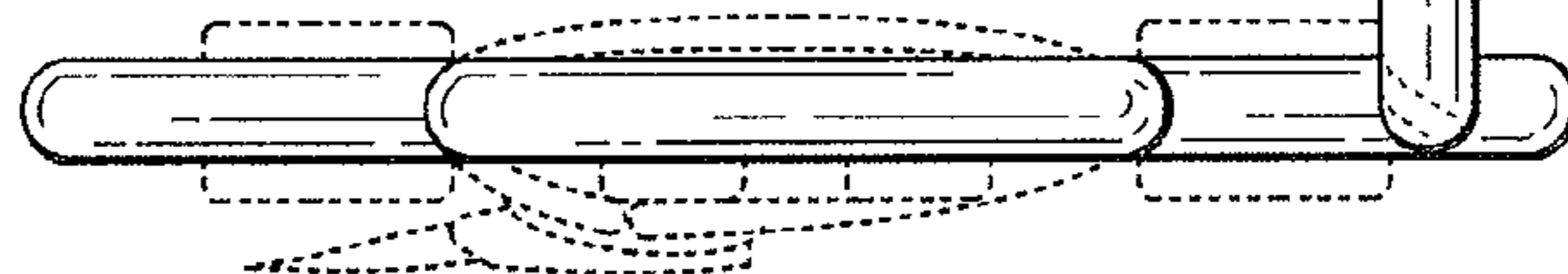


FIG. 10

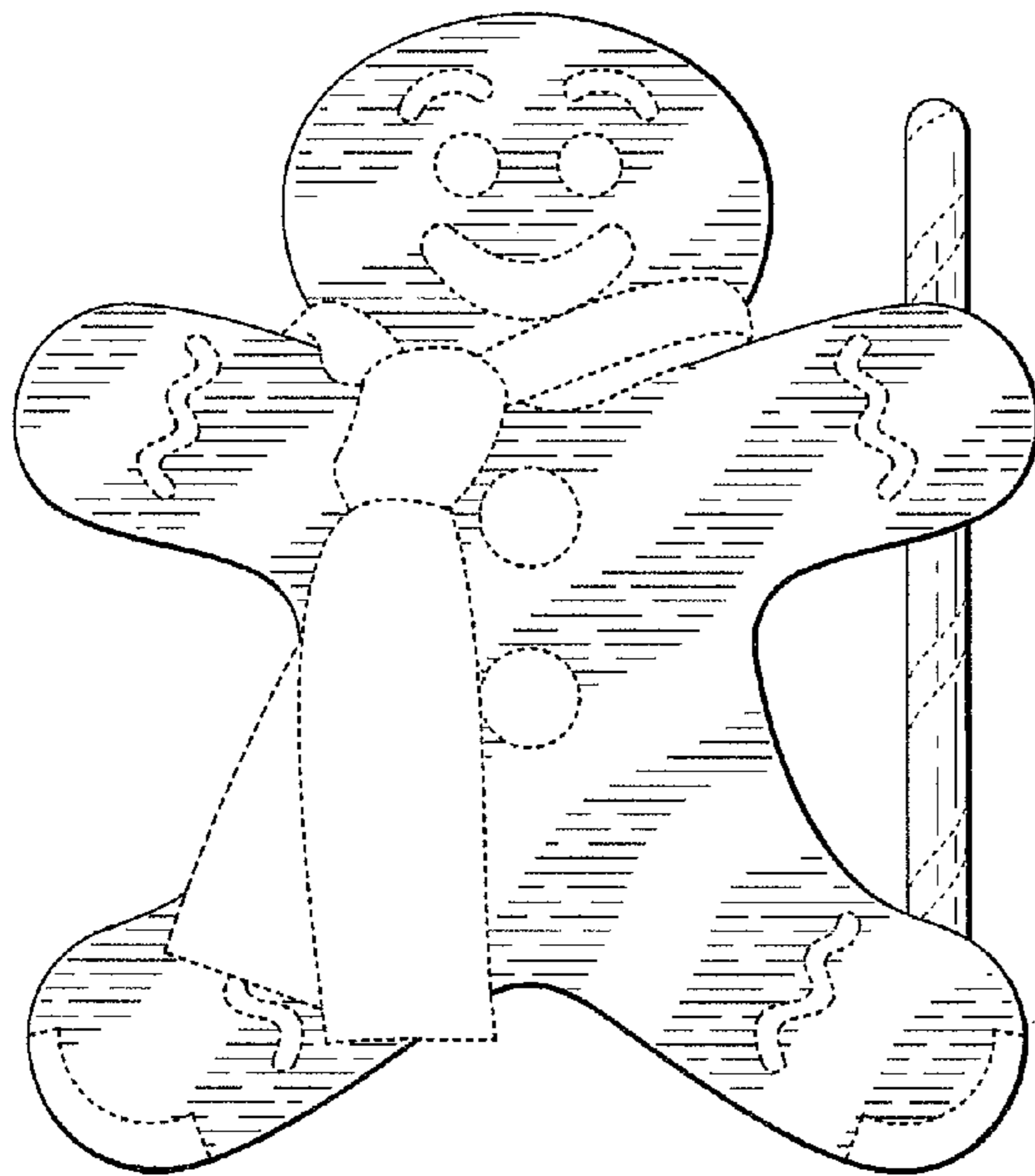


FIG. 11

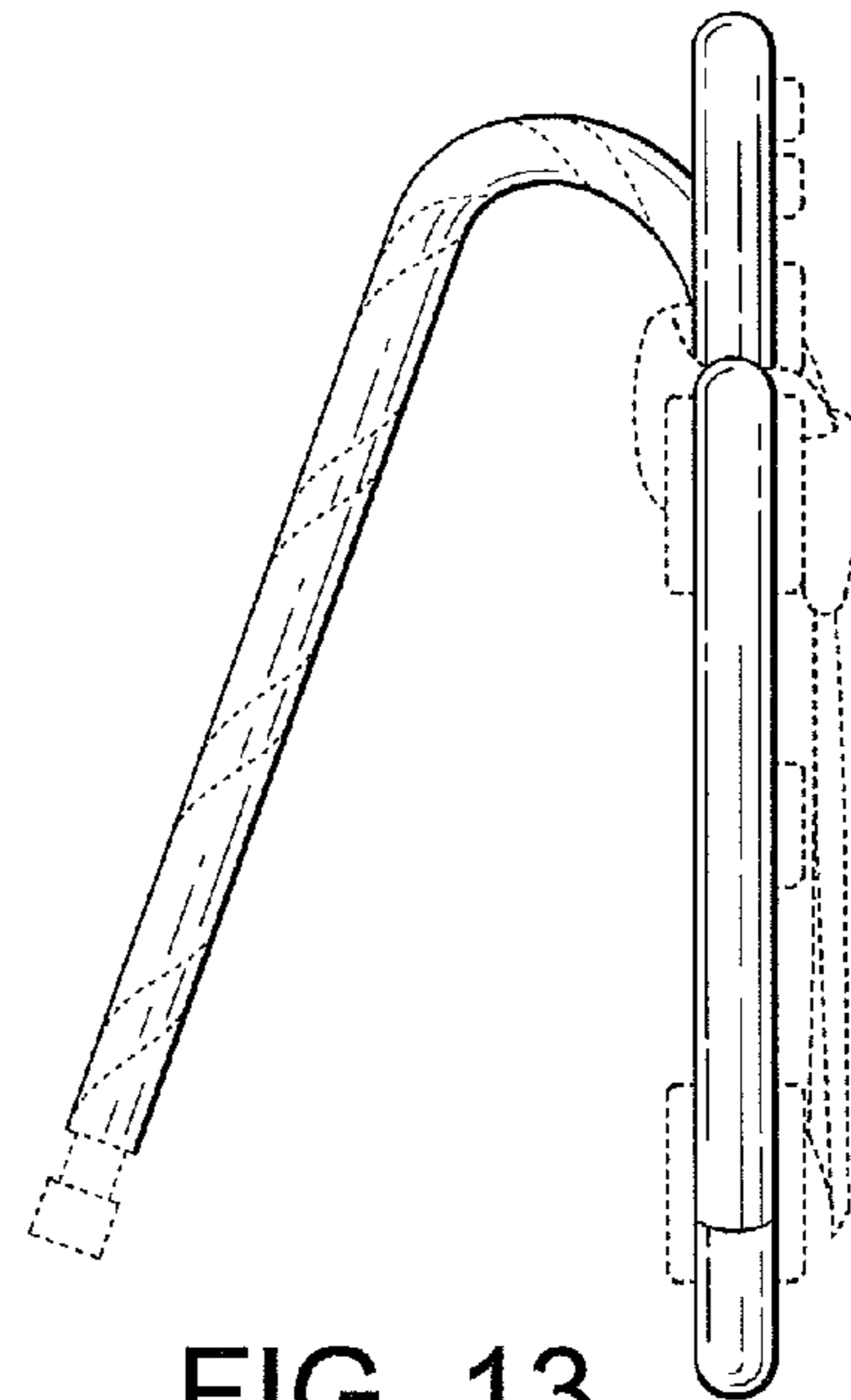


FIG. 13

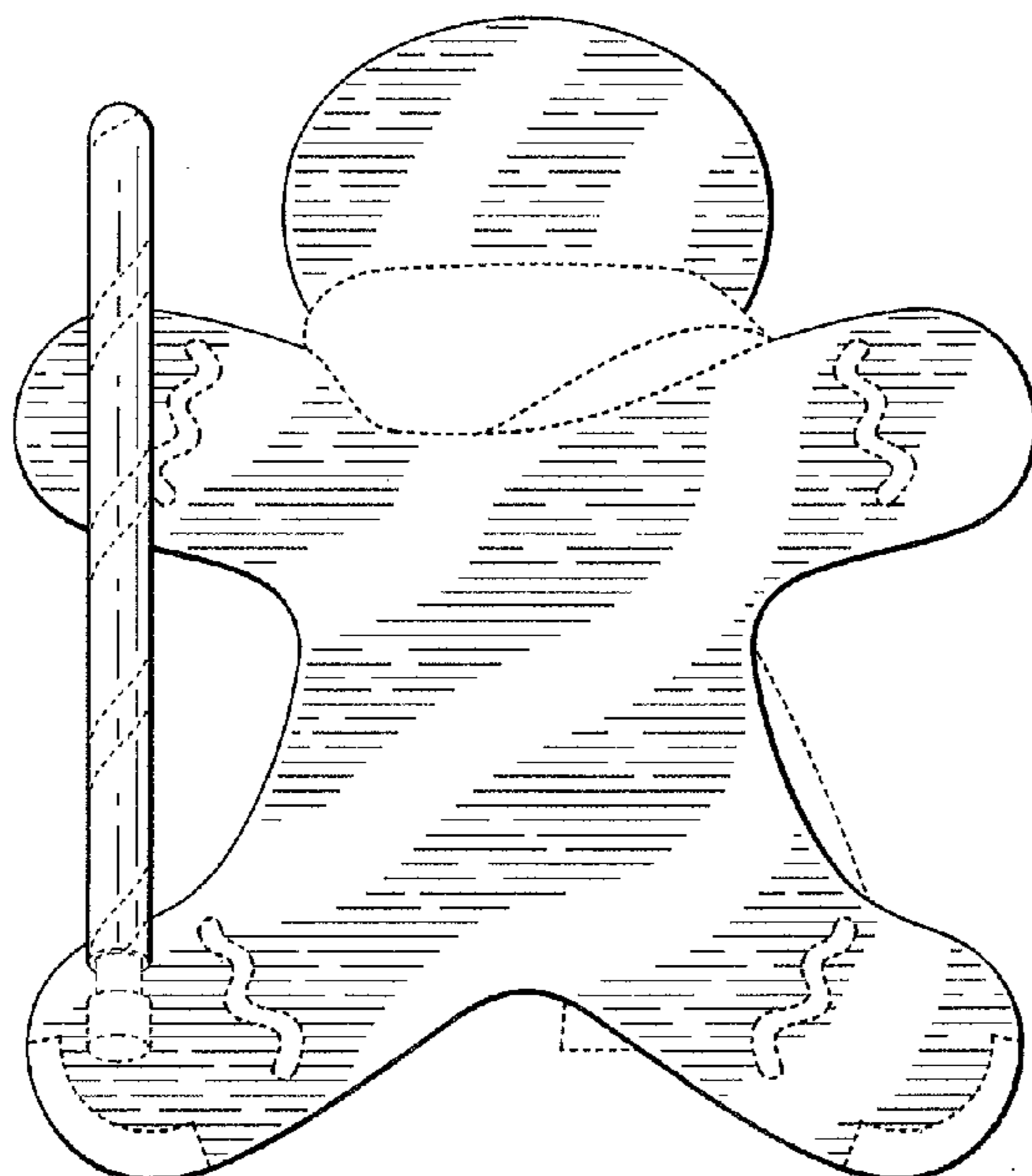


FIG. 12

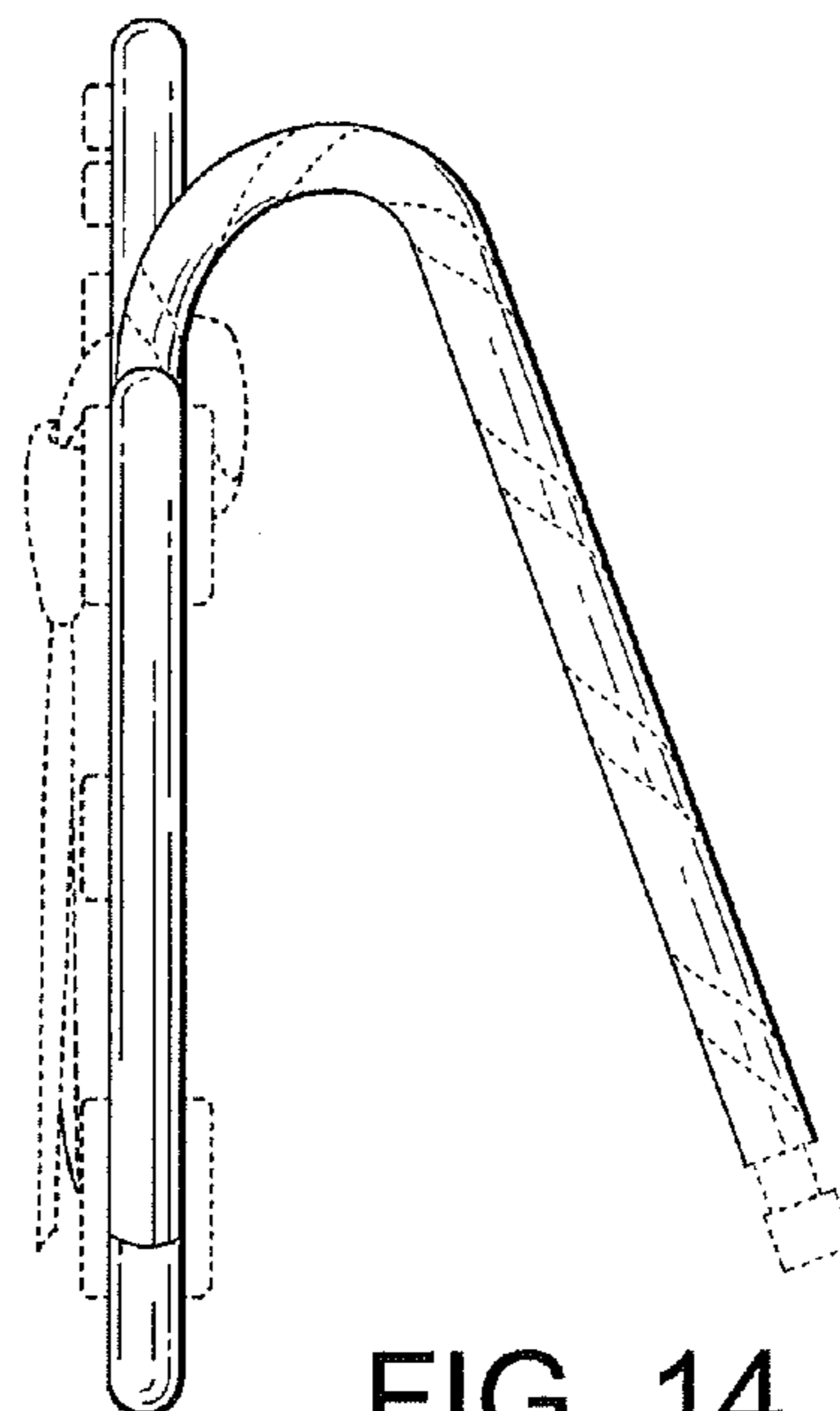


FIG. 14

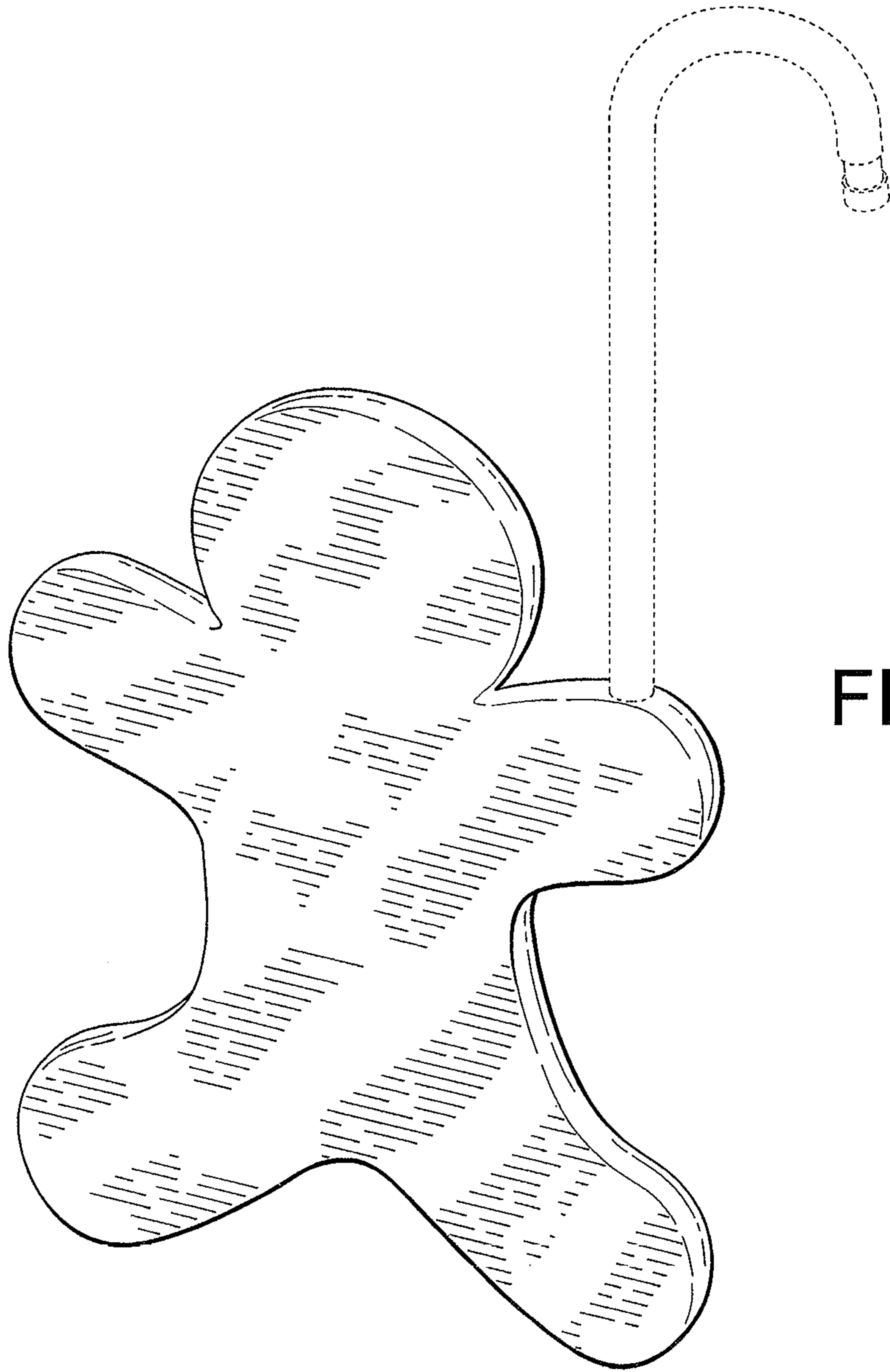


FIG. 15

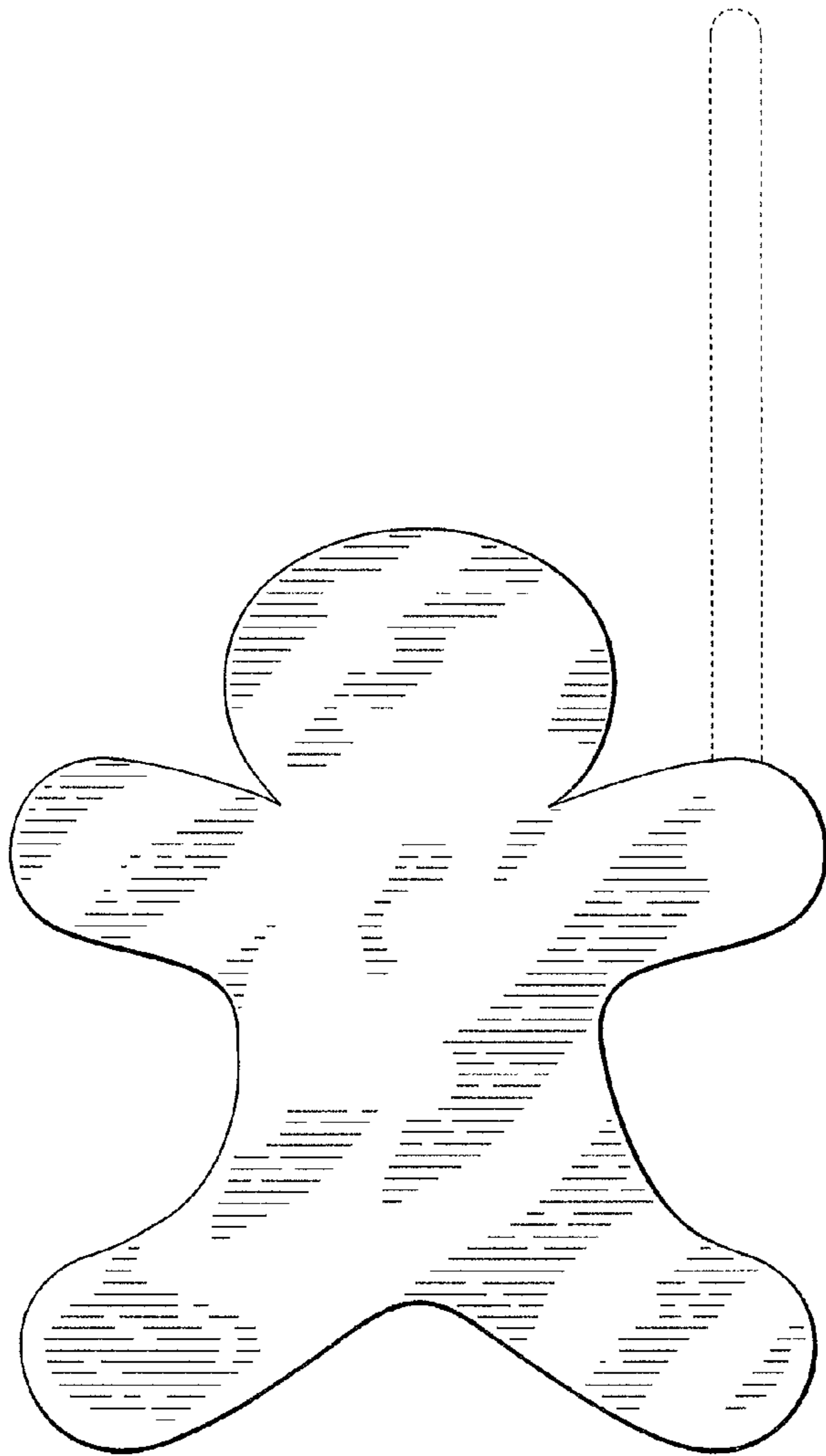


FIG. 18

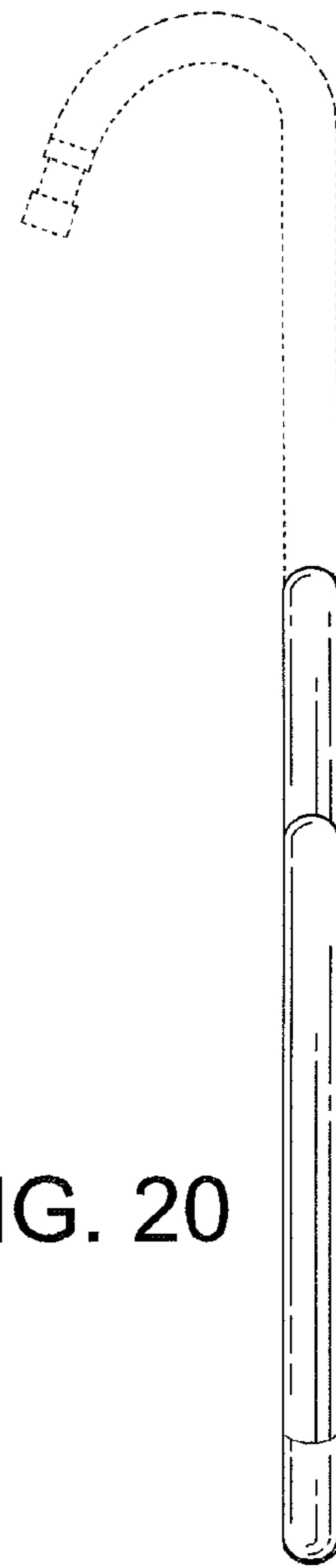
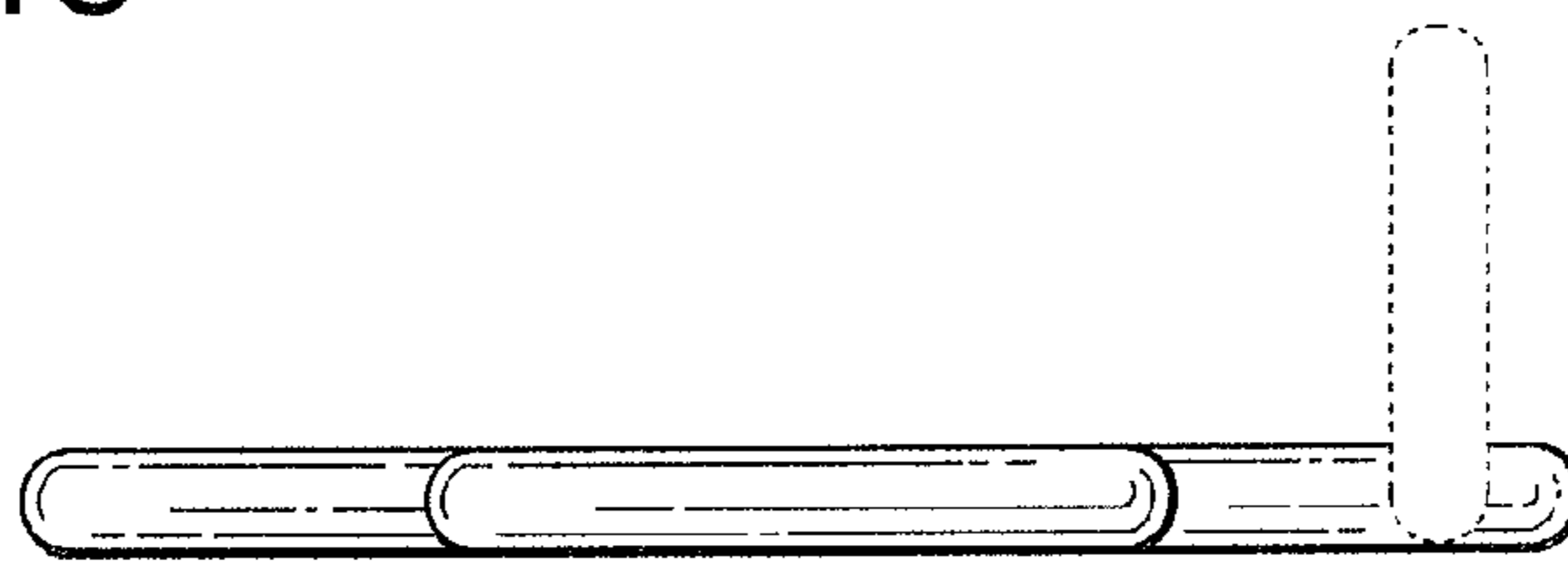


FIG. 20

FIG. 16



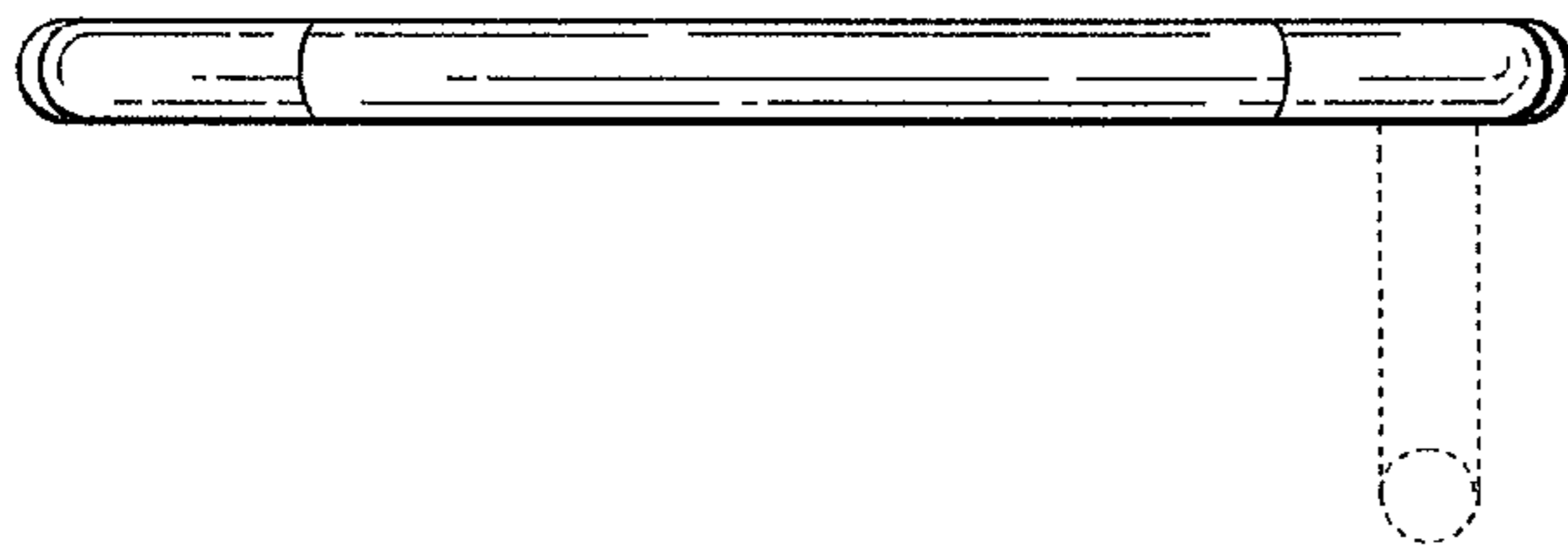


FIG. 17

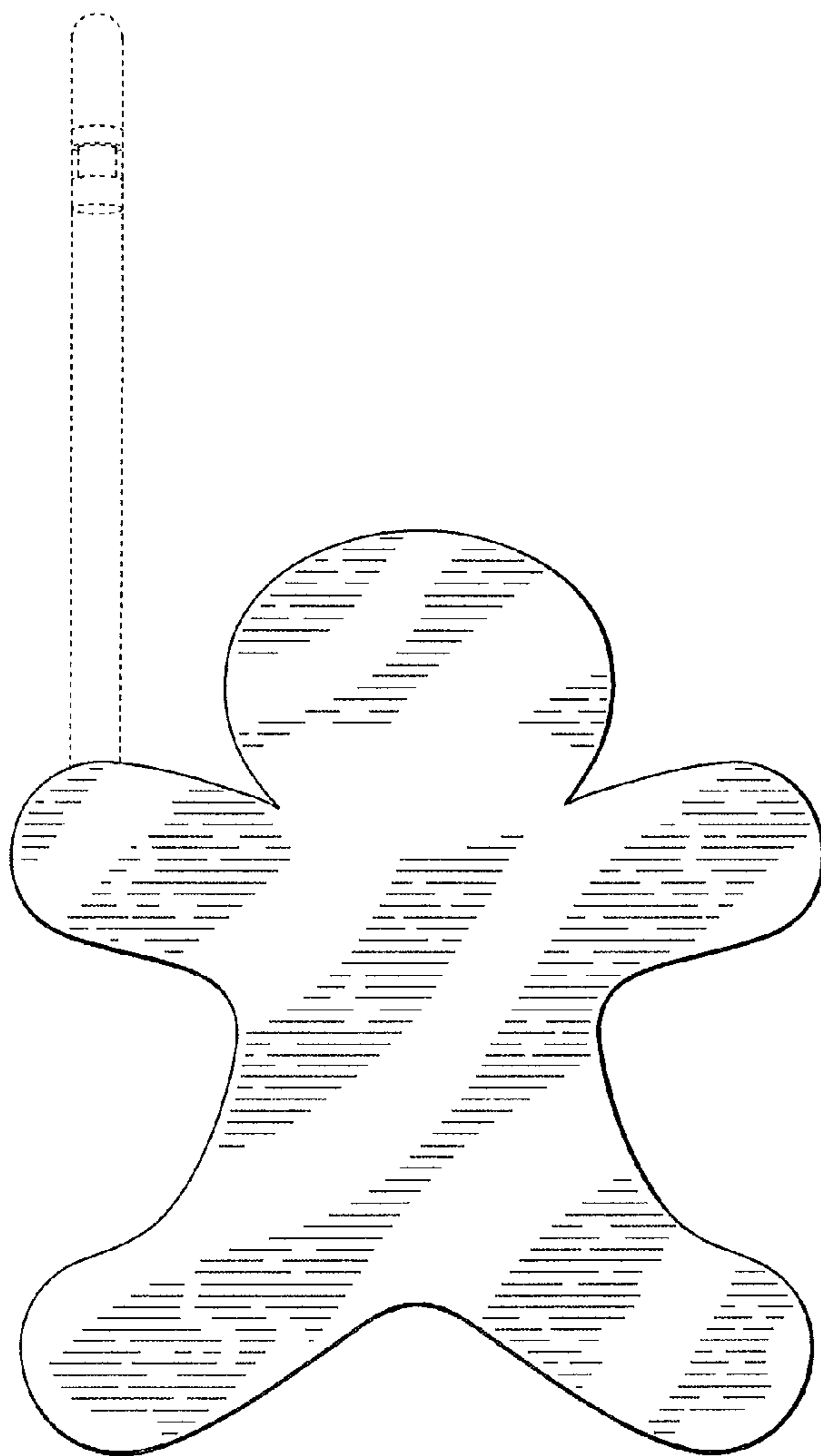


FIG. 19

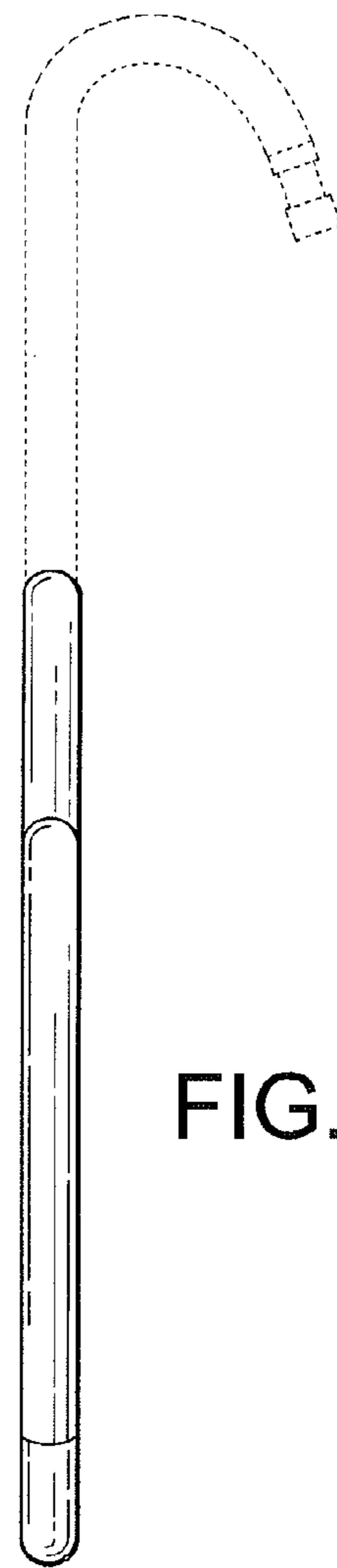


FIG. 21

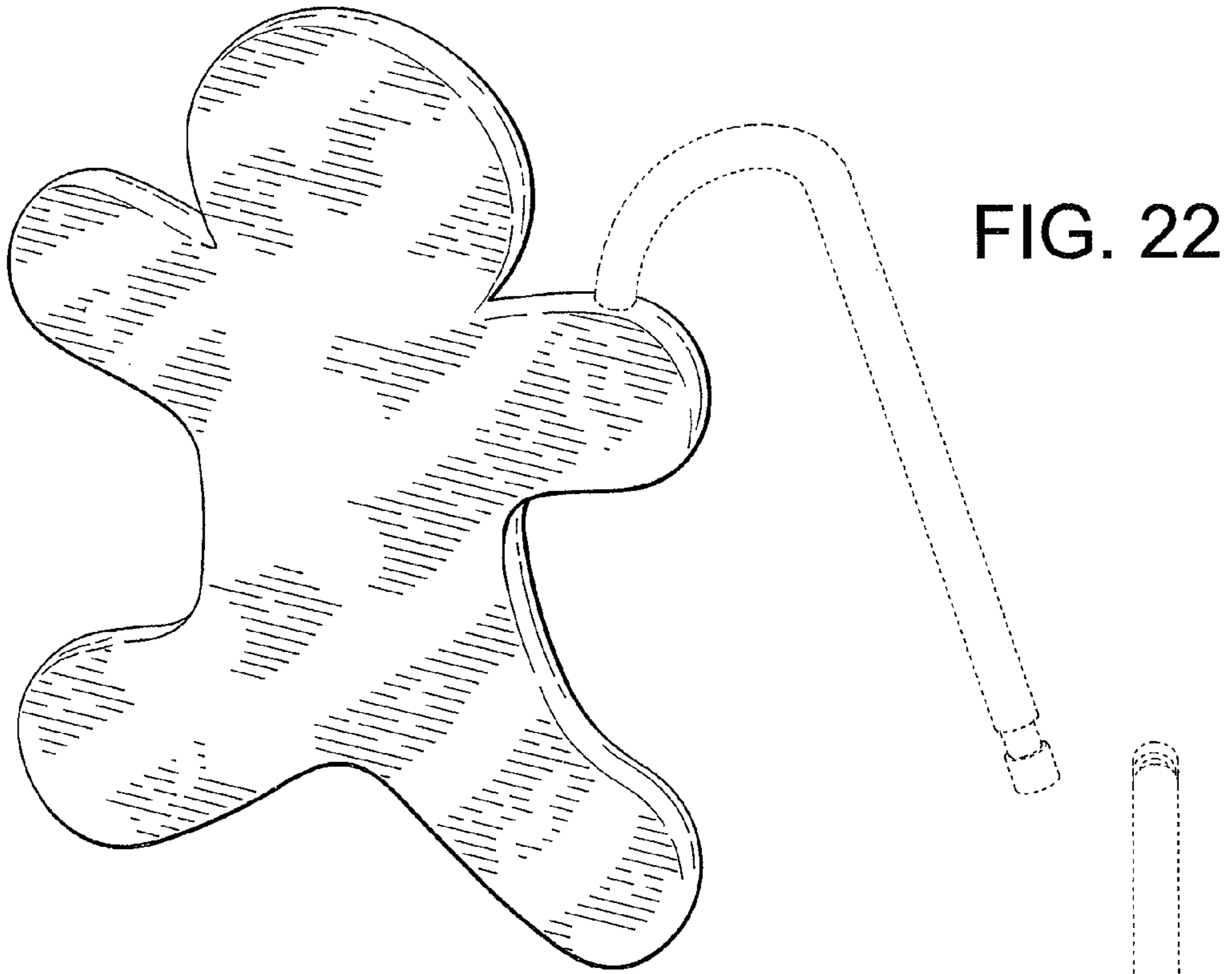


FIG. 22

FIG. 23

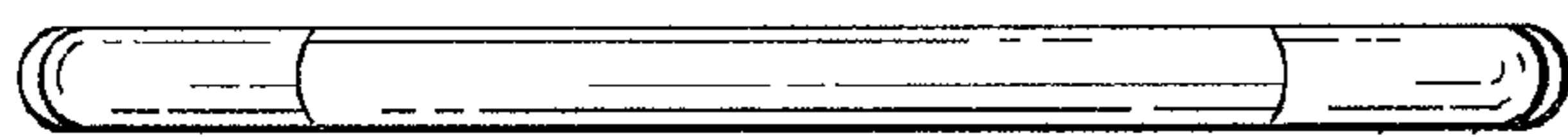
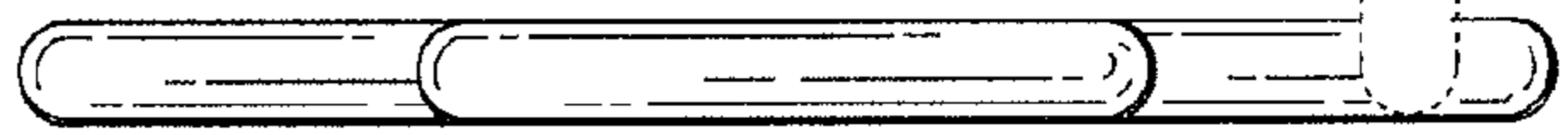


FIG. 24

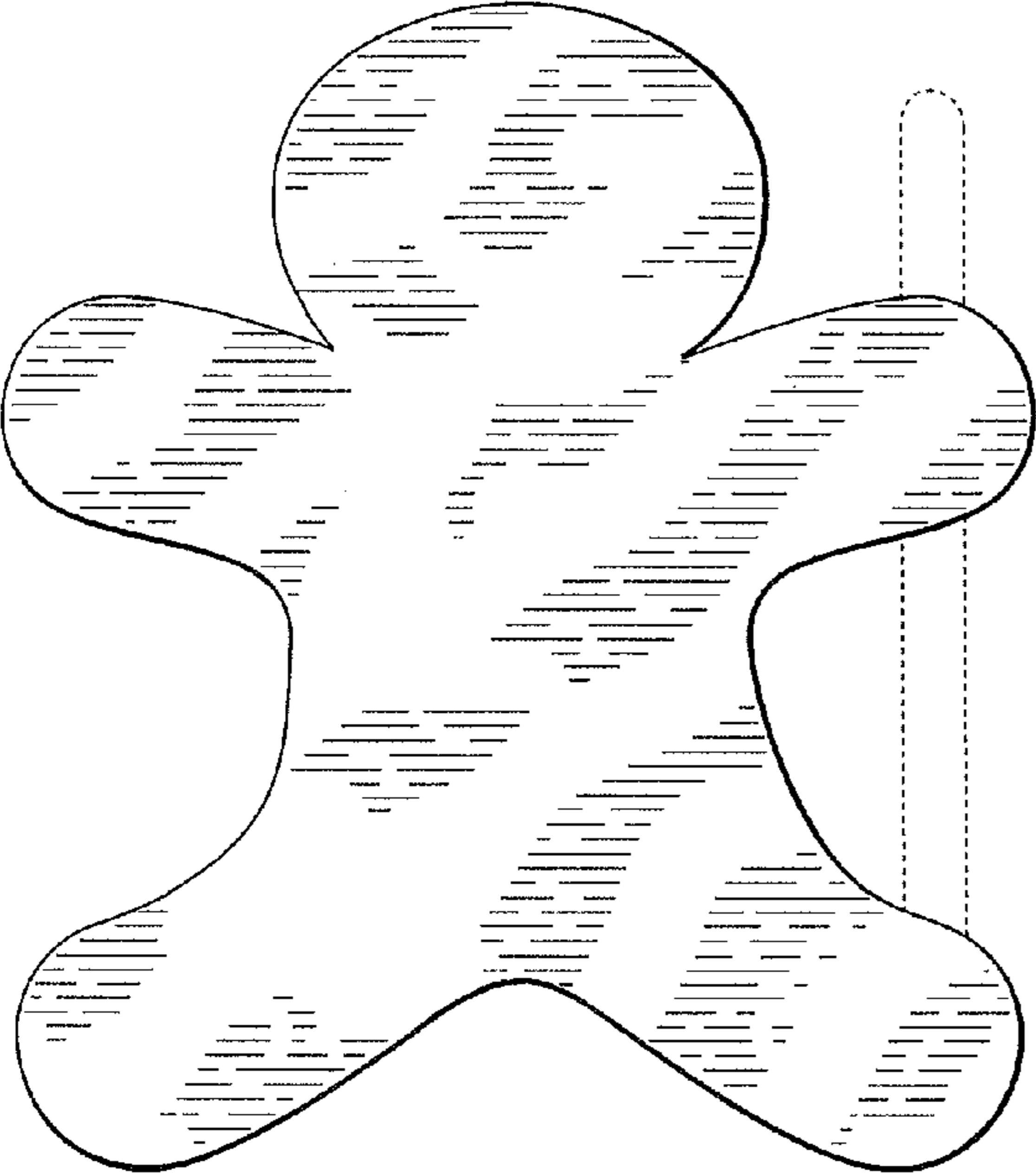


FIG. 25

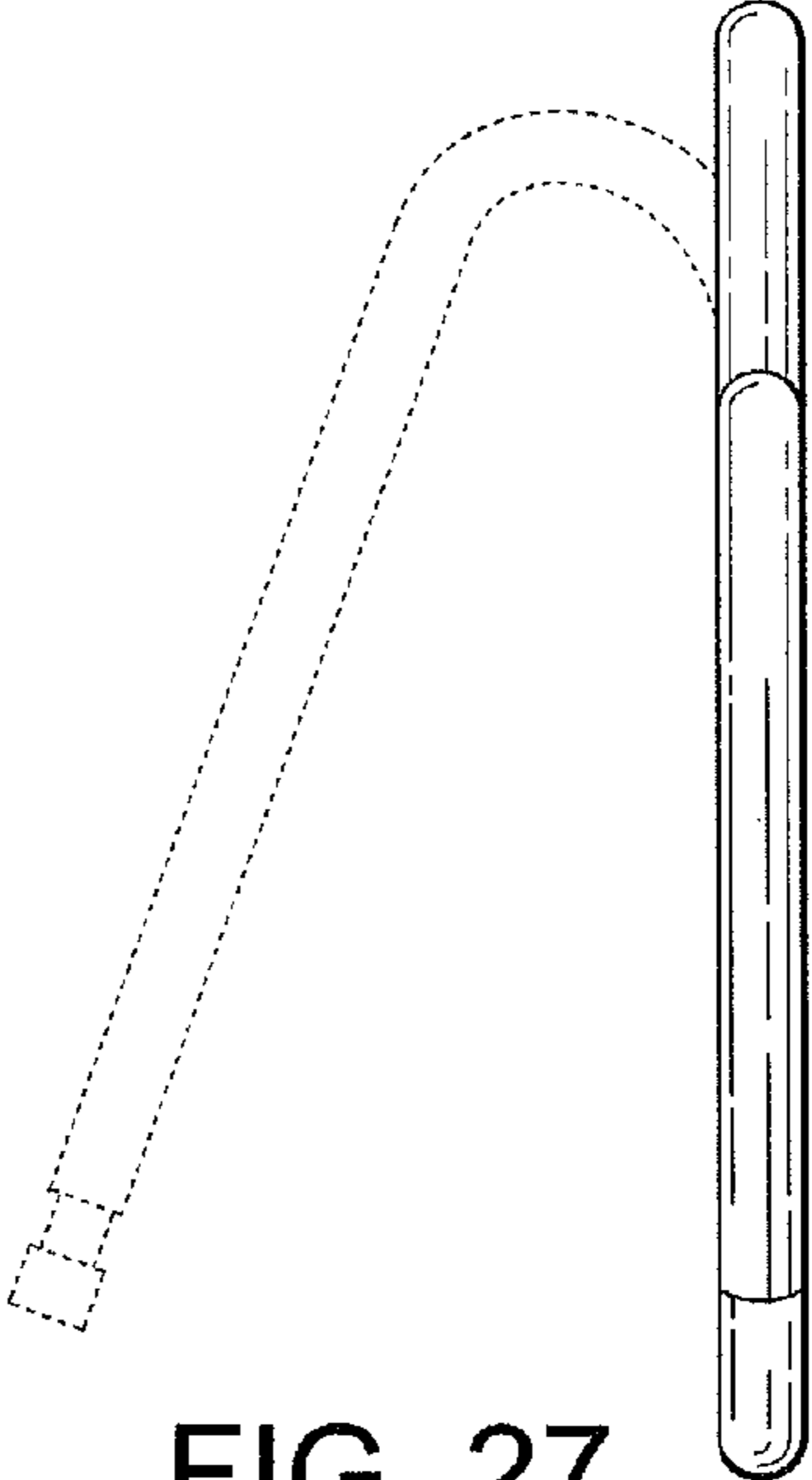


FIG. 27

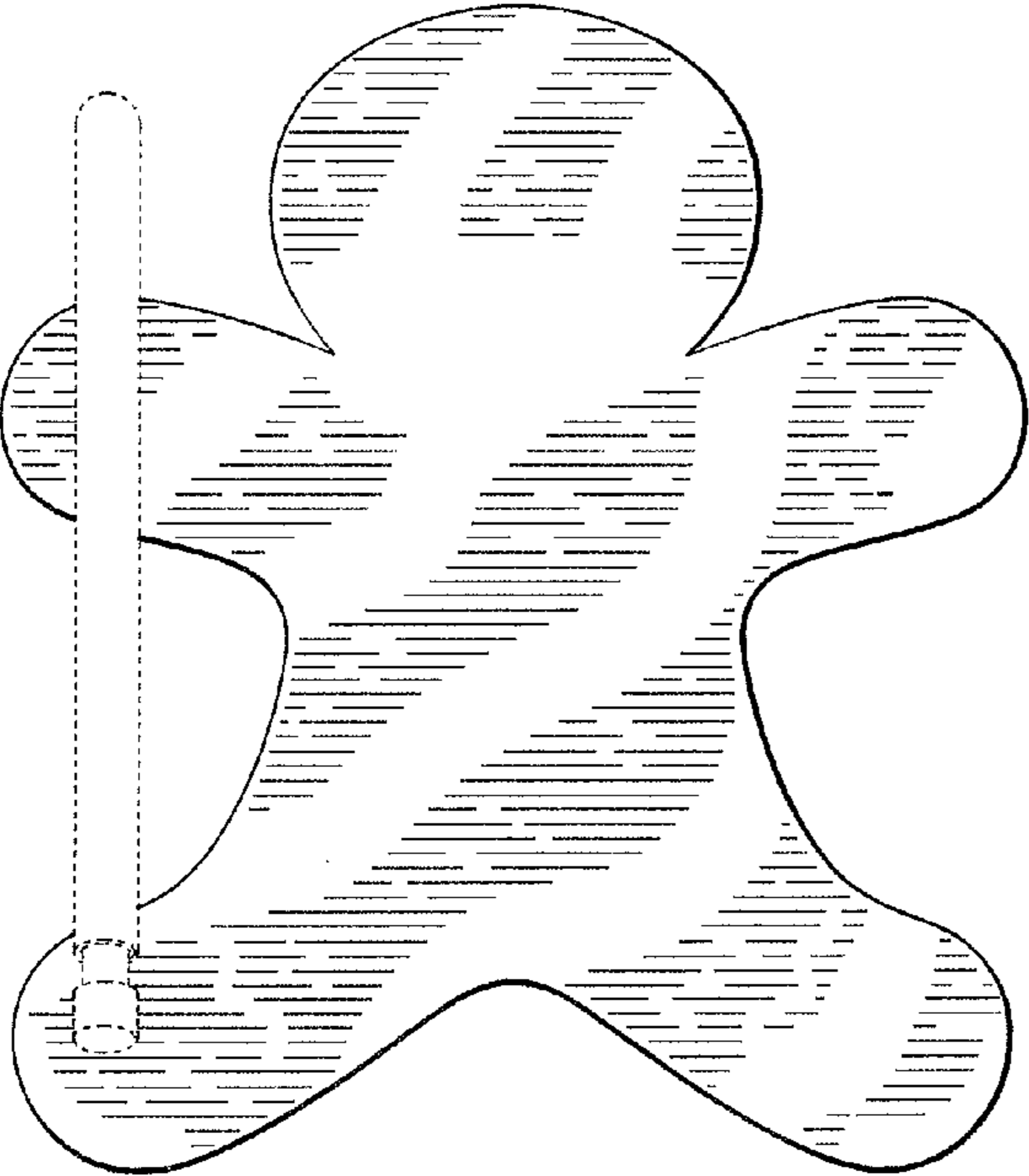


FIG. 26

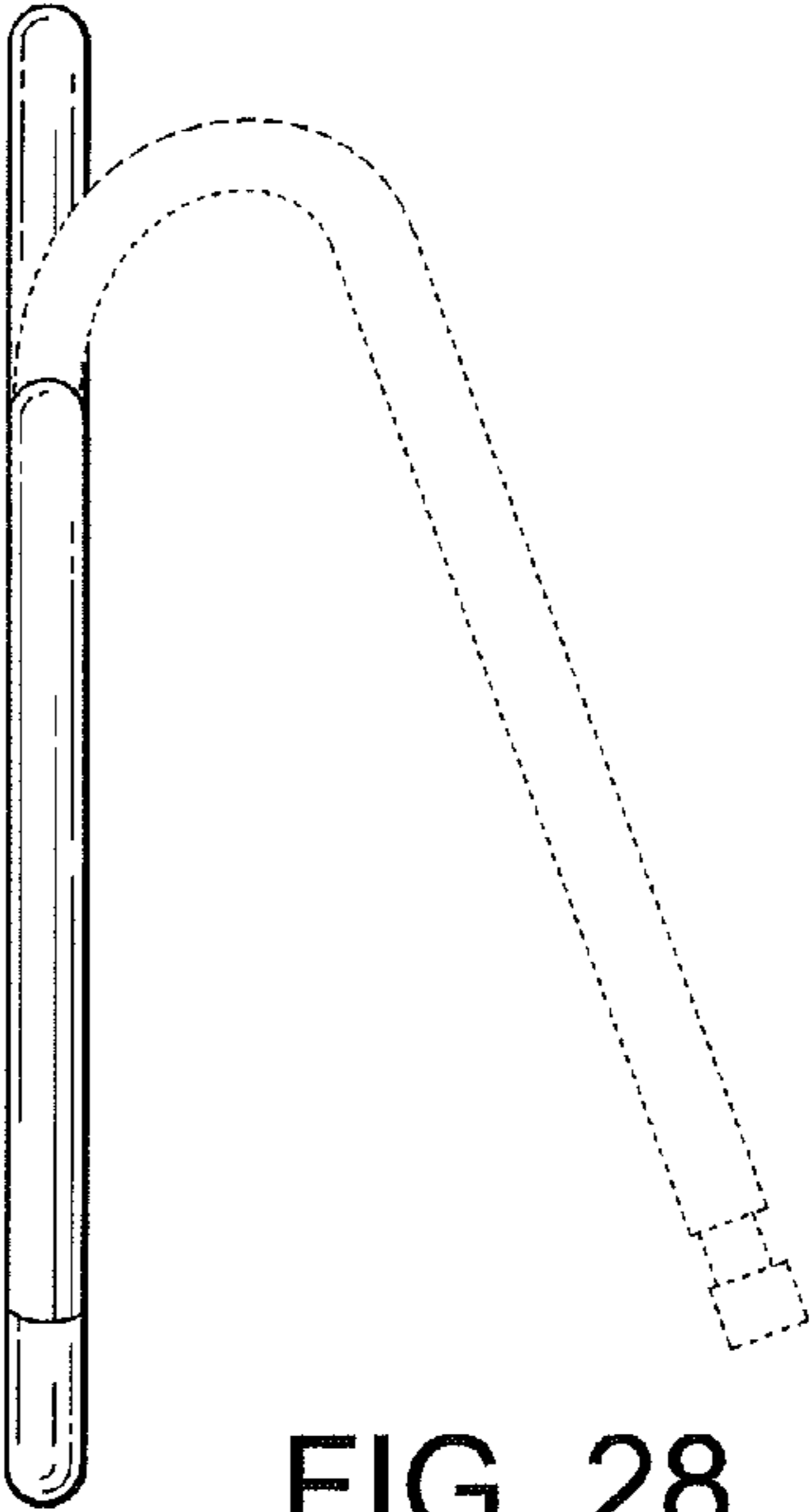


FIG. 28