



US00D714920S

(12) **United States Design Patent**
Kergoet

(10) **Patent No.:** **US D714,920 S**

(45) **Date of Patent:** **** Oct. 7, 2014**

(54) **PLUMBING FIXTURE**

- (71) Applicant: **Kohler Co.**, Kohler, WI (US)
- (72) Inventor: **François Kergoet**, Malakoff (FR)
- (73) Assignee: **Kohler Co.**, Kohler, WI (US)
- (**) Term: **14 Years**
- (21) Appl. No.: **29/466,679**

(22) Filed: **Sep. 10, 2013**

(30) **Foreign Application Priority Data**

Mar. 11, 2013 (EM) 0001364145

(51) **LOC (10) Cl.** **23-02**

(52) **U.S. Cl.**
USPC **D23/308**

(58) **Field of Classification Search**
CPC E03C 1/18; E03C 1/14; E03C 1/16
USPC D23/284, 293.1, 292, 303, 308; 4/619
See application file for complete search history.

(56) **References Cited**

U.S. PATENT DOCUMENTS

D259,137 S *	5/1981	Knox	D23/290
D510,132 S *	9/2005	Piatt	D23/293.1
D545,416 S *	6/2007	Maruhashi et al.	D23/293.1
D564,078 S *	3/2008	Hobby, III	D23/284
7,377,661 B2 *	5/2008	Douglass	362/101
D582,528 S *	12/2008	Gallob	D23/290
D588,245 S *	3/2009	Kohler et al.	D23/293.1
D630,716 S *	1/2011	Thomas	D23/293.1
D631,143 S *	1/2011	Thomas	D23/284
D636,855 S *	4/2011	Thomas	D23/293.1
D697,596 S *	1/2014	Spangler	D23/293.1

OTHER PUBLICATIONS

Verso Washbasins (various models, including 112VN00), Catalano Catalog, Jan. 2013 (p. 89; see also pp. 42-47). Pdfpages 43-48, 90.
 Verso Water Closet (Model 1BSVE00), Catalano Catalog, Jan. 2013 (p. 90; see also pp. 42-43). Pdfpages 43-44, 91.
 Verso Bidet (Model 1VSVE00), Catalano Catalog, Jan. 2013 (e.g., pp. 42-43, and 90). Pdfpages 43-44, 91.
 Living City Washbasins (various models, including 1843.1), Living Catalog, Laufen, Aug. 2012 (p. 44; see also pp. 4-13, 43, and 45). Pdf pp. 3-6 and 22-23.
 Living Wall-hung Water Closet (Model 2043.5), Living Catalog, Laufen, Aug. 2012 (p. 49; see also pp. 4-13). Pdf pp. 3-6 and 25.

(Continued)

Primary Examiner — Robert Delehanty
(74) *Attorney, Agent, or Firm* — Foley & Lardner LLP

(57) **CLAIM**

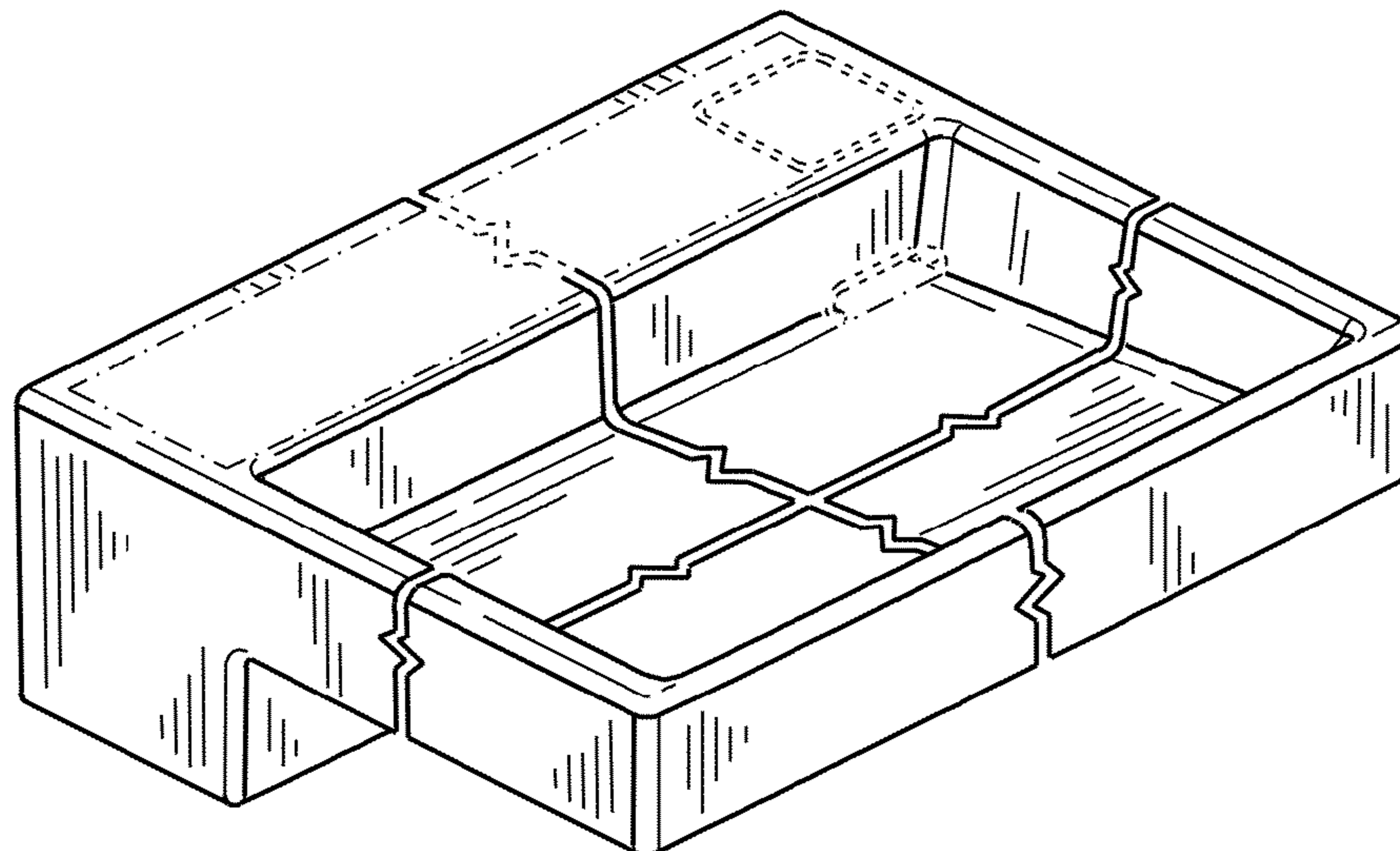
I claim the ornamental design for a plumbing fixture, as shown and described.

DESCRIPTION

FIG. 1 is a top, left, front perspective view of an embodiment of the claimed design;
 FIG. 2 is a left elevation view thereof;
 FIG. 3 is a right elevation view thereof;
 FIG. 4 is a top plan view thereof;
 FIG. 5 is a front elevation view thereof;
 FIG. 6 is a rear elevation view thereof; and,
 FIG. 7 is a bottom plan view thereof.

The ornamental design which is claimed is shown in solid lines in the drawings. The broken lines in the drawings are for illustrative purposes only and form no part of the claimed design. Broken lines formed by equal length dashes show unclaimed portions of the design. Broken lines formed of unequal length dashes (i.e., dash-dot) show boundaries between claimed and unclaimed portions of the design. Lines having a jagged element are not part of the claimed design and show that no particular length of the portion is claimed.

1 Claim, 3 Drawing Sheets



(56)

References Cited

OTHER PUBLICATIONS

Living Wall-hung Bidet (Model 3043.2), Living Catalog, Laufen, Aug. 2012 (p. 49; see also pp. 4-13). Pdf pp. 3-6 and 25.

Preciosa I and II Wash Basins (various models, including 124200), Price List 2011, Sani-Consult Ltd., 2011 (p. 19; see also p. 20). Pdf pp. 26-27.

Preciosa I and II Wash-down Water Closet (Model 203200), Price List 2011, Sani-Consult Ltd., 2011 (p. 21). Pdf p. 29.

Preciosa I and II Water Closet Seat with Cover (Model 571280), Price List 2011, Sani-Consult Ltd., 2011 (p. 21). Pdf p. 29.

Preciosa I and II Bidet, Wall Hung (Model 233200), Price List 2011, Sani-Consult Ltd., 2011 (e.g., pp. 21). Pdf p. 29.

Vero Washbasins (various models, including 045412.001), badmagazin, Duravit, 2012 (p. 314; see also pp. 60-69, 313, and 315). pdfpages 32-36, 158-159.

Vero Toilets (various models including 221709.641a), badmagazin, Duravit, 2012 (p. 316; see also pp. 60-69). pdfpages 32-36, 160.

Vero Bidets (various models, including 223915.001), badmagazin, Duravit, 2012 (p. 315; see also pp. 60-69, and 316). pdfpages 32-36, 159-160).

Memento Washbasins (various models, including 5133.50), Choice of Collections Bathroom & Wellness, Villeroy & Boch, 2012 (p. 66; see also pp. 19-20, and 63-64) Pdf pp. 12 35 36.

Memento Wall-mounted Washdown Water Closet (Model 5628 10), Choice of Collections Bathroom & Wellness, Villeroy & Boch, 2012 (p. 68; see also pp. 19-20). Pdf pp. 12 37.

Memento Wall-mounted Bidet (Model 5428 10), Choice of Collections Bathroom & Wellness, Villeroy & Boch, 2012 (p. 69; see also pp. 19-20). Pdf pp. 12 38.

* cited by examiner

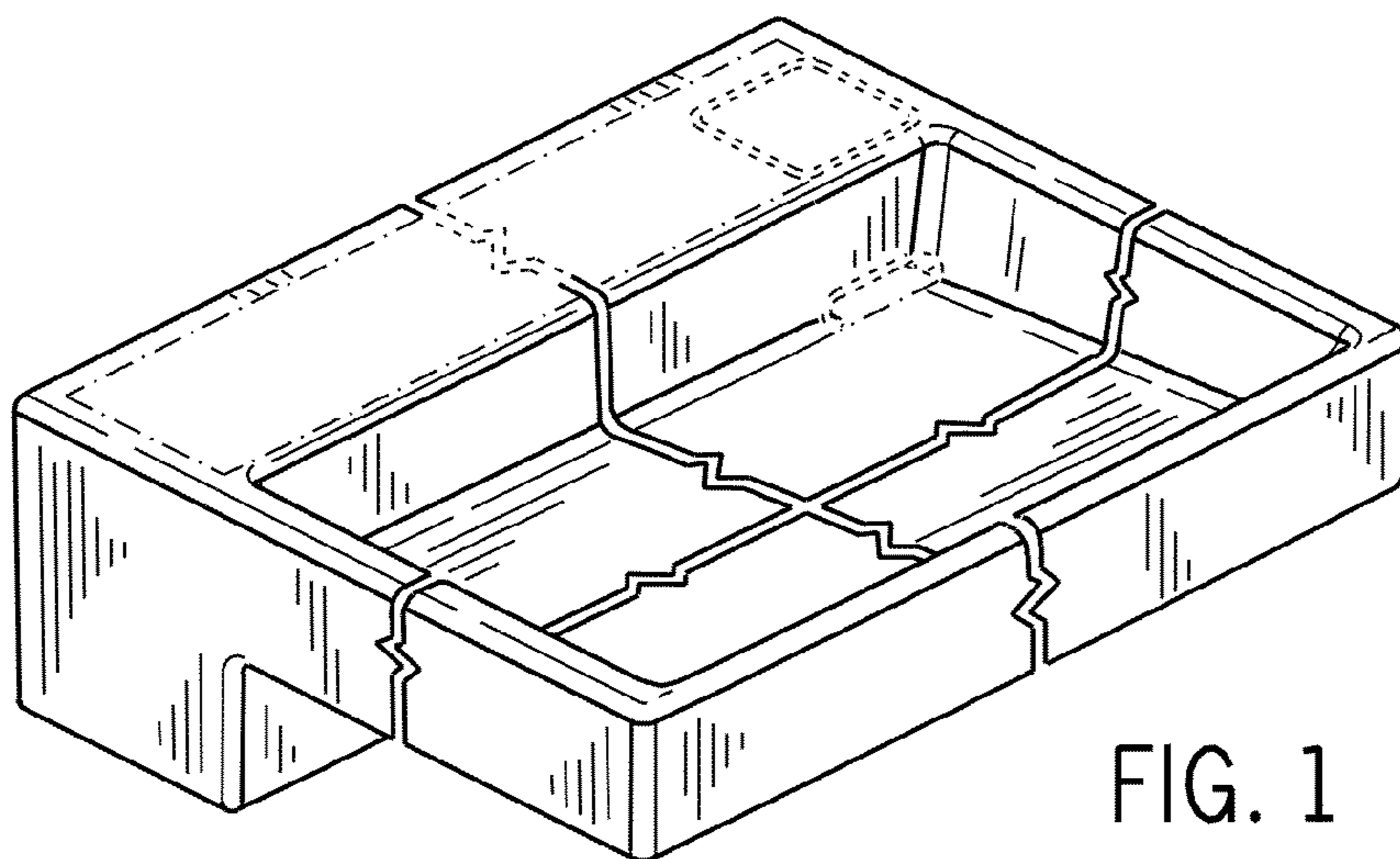


FIG. 1

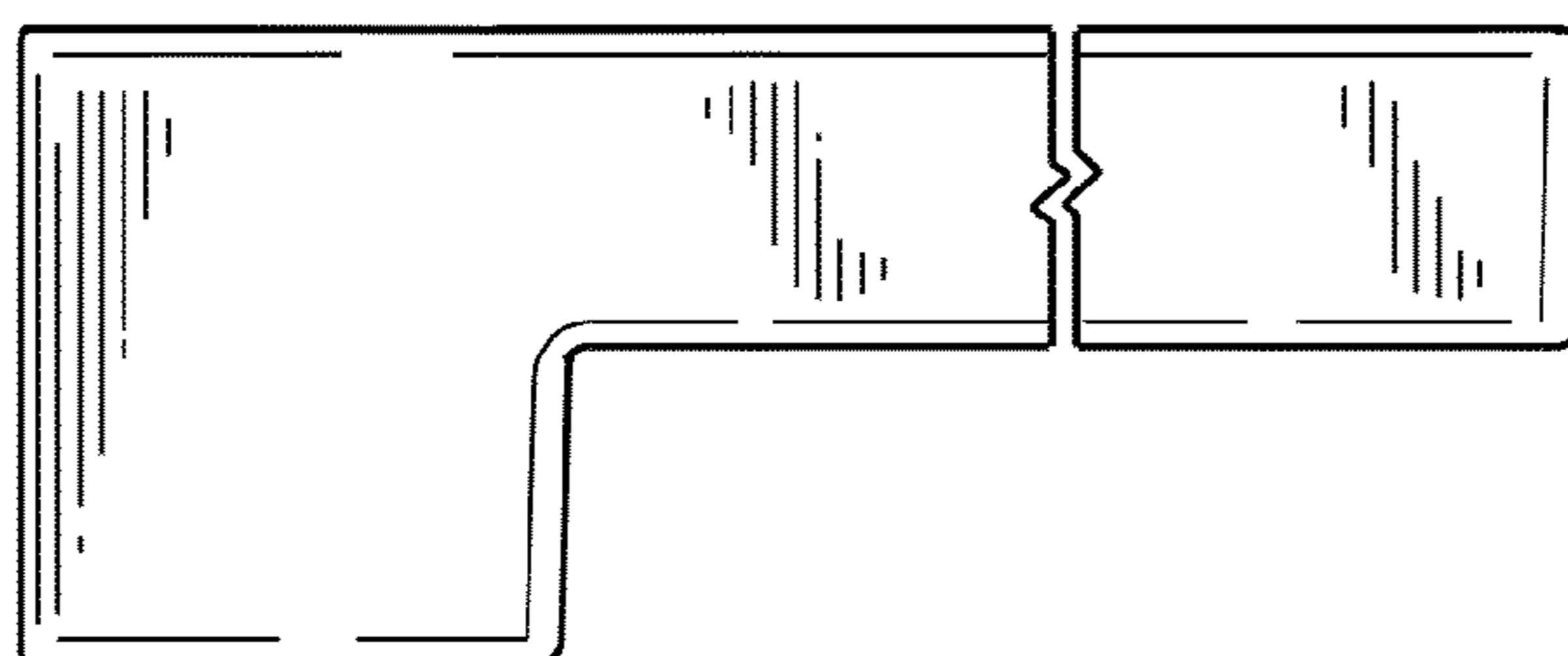


FIG. 2

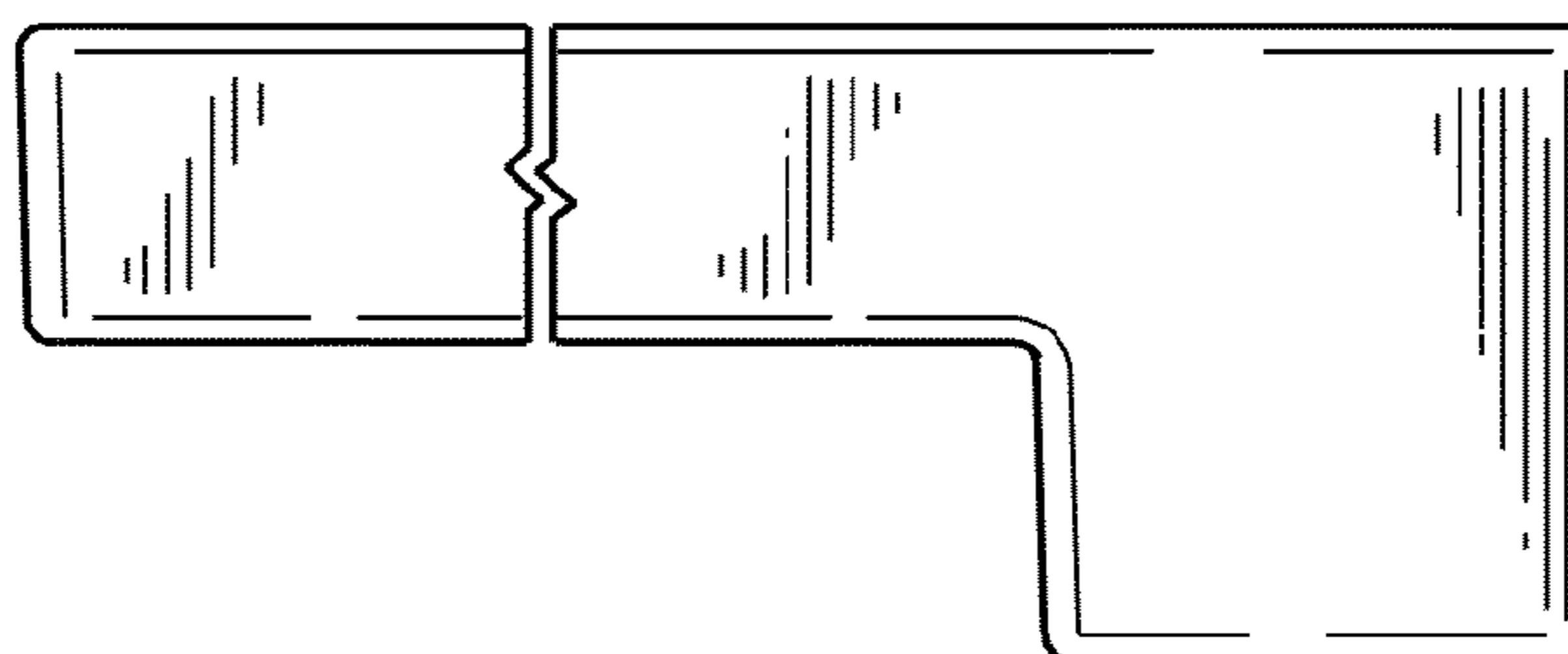


FIG. 3

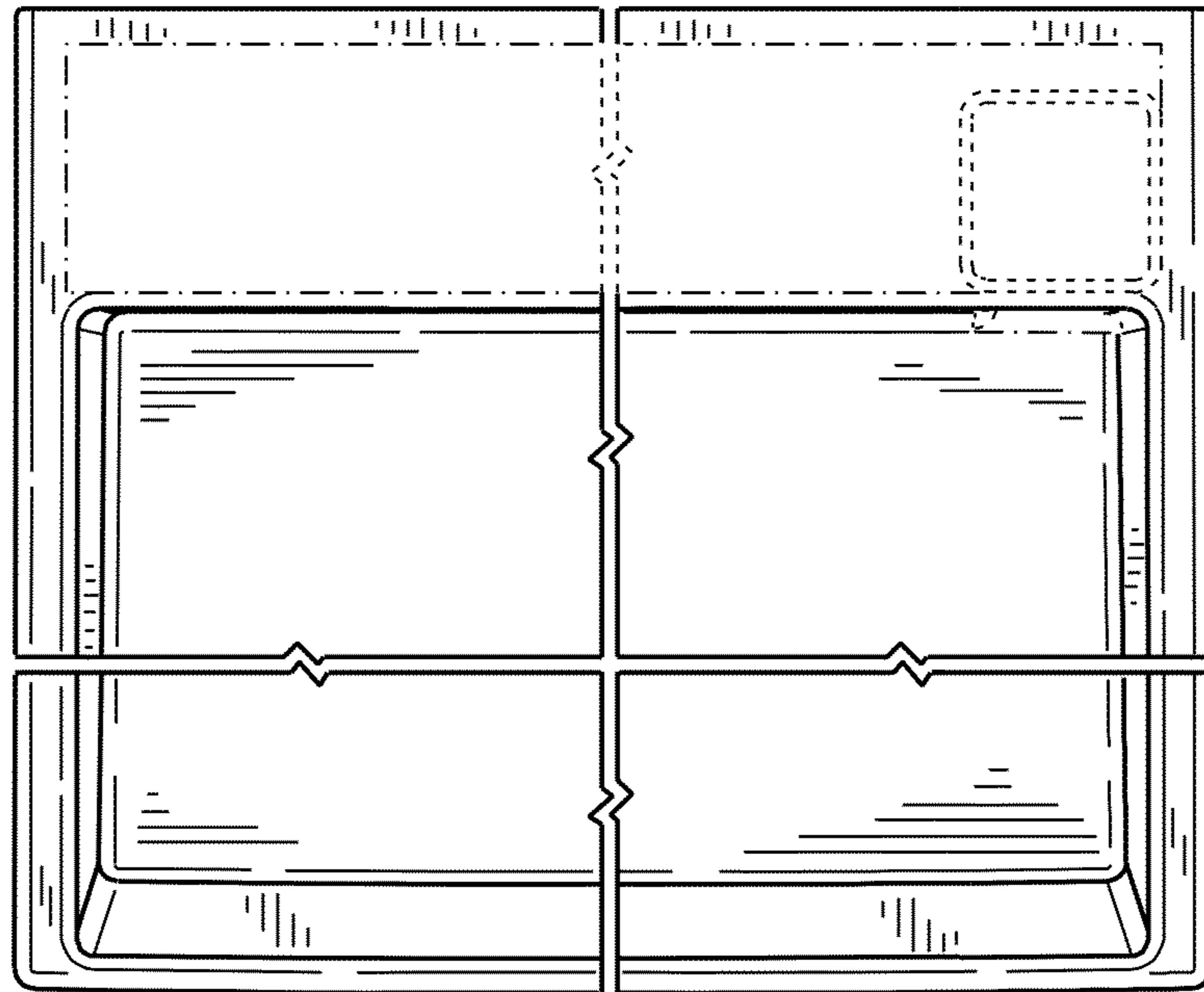


FIG. 4

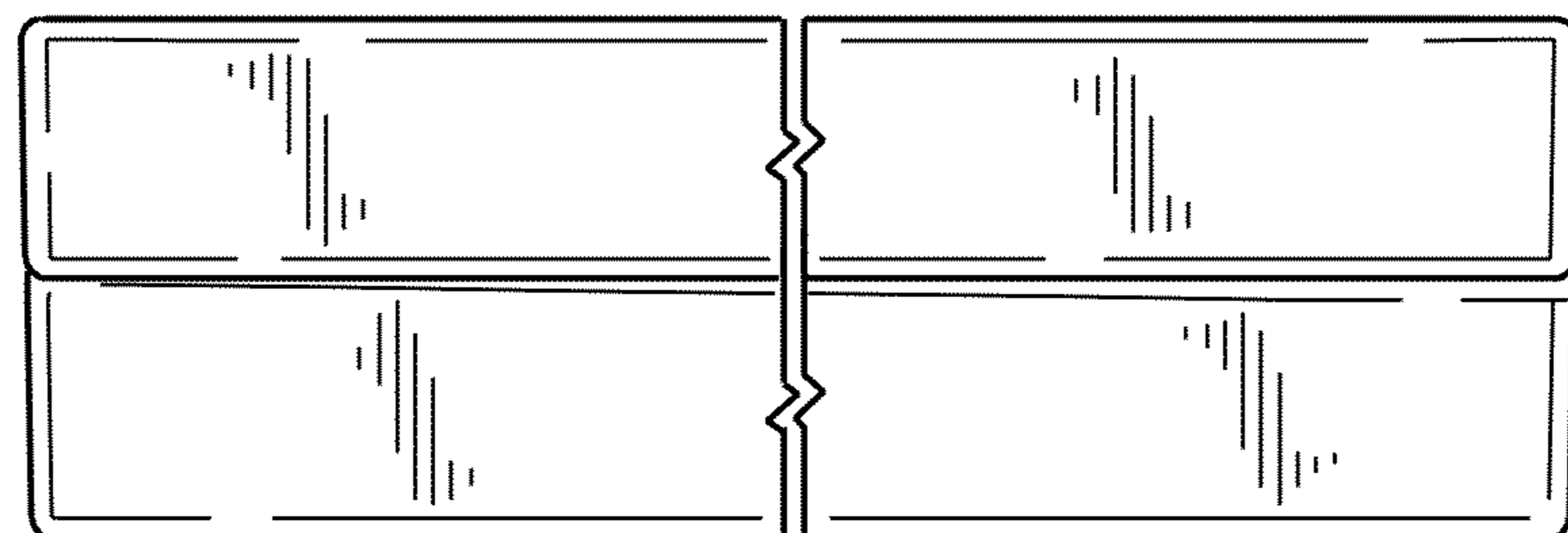


FIG. 5

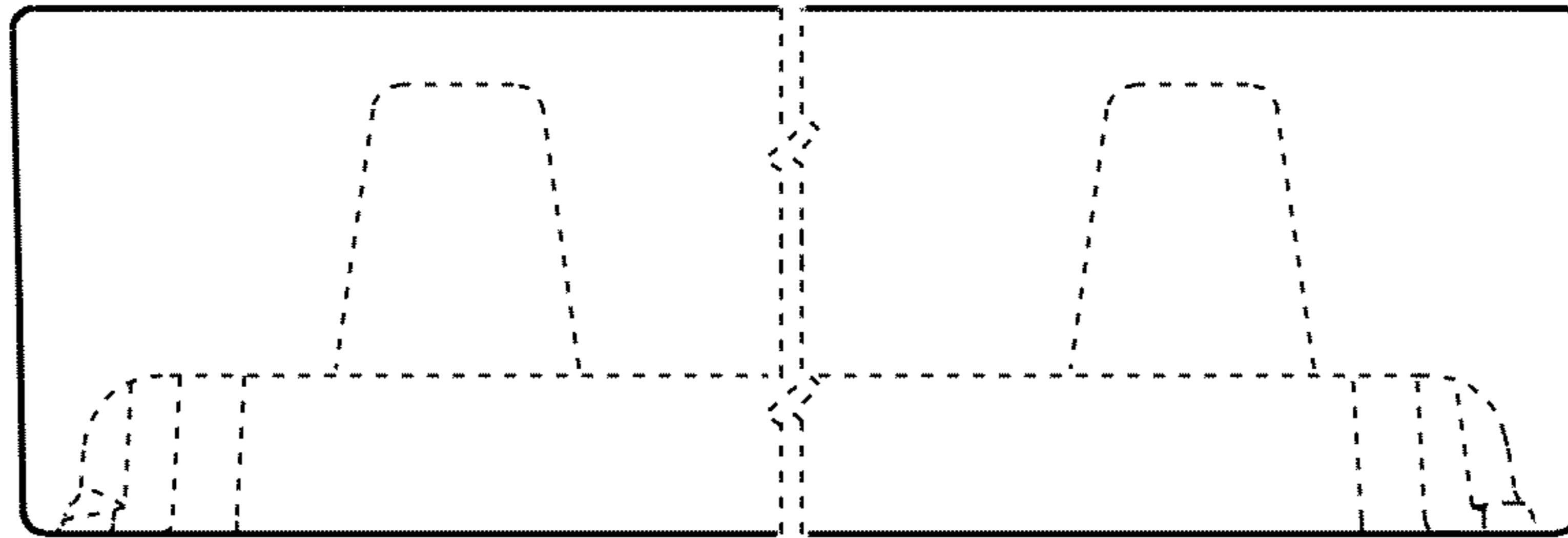


FIG. 6

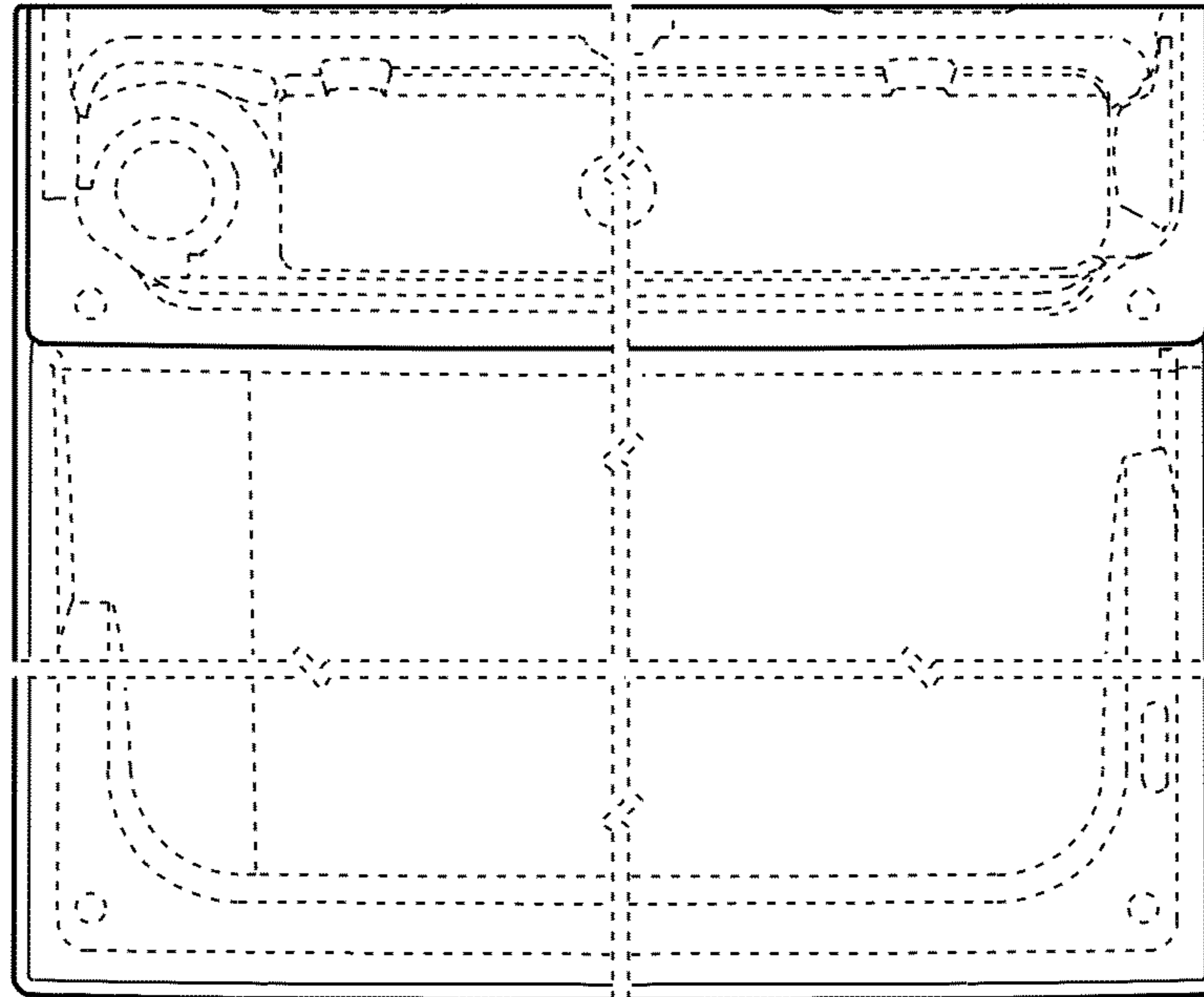


FIG. 7