



US00D714918S

(12) **United States Design Patent**
Melki

(10) **Patent No.:** **US D714,918 S**
(45) **Date of Patent:** **** Oct. 7, 2014**

(54) **PORTABLE HAND-WASHING STATION**

(71) Applicant: **David Melki**, Jerusalem (IL)

(72) Inventor: **David Melki**, Jerusalem (IL)

(**) Term: **14 Years**

(21) Appl. No.: **29/438,331**

(22) Filed: **Nov. 29, 2012**

(51) **LOC (10) Cl.** **23-02**

(52) **U.S. Cl.**
USPC **D23/271**

(58) **Field of Classification Search**

CPC E03C 1/18; E03C 1/014; E03C 1/16;
E03C 1/182; A47K 1/04; A47K 1/02
USPC D23/284, 285, 292, 293.1, 303, 308,
D23/271, 201; 4/619, 624.625, 629;
D7/565, 570, 317-318

See application file for complete search history.

(56) **References Cited**

U.S. PATENT DOCUMENTS

D85,516 S * 11/1931 Ebinger D23/290
D288,352 S * 2/1987 Smith D23/285
D319,368 S * 8/1991 Picozza et al. D7/317

D338,367 S * 8/1993 Fonville D7/317
D403,057 S * 12/1998 Van Marcke D23/292
6,401,274 B1 * 6/2002 Brown 4/619
7,730,561 B2 * 6/2010 Kostelyk 4/625

* cited by examiner

Primary Examiner — Robert Delehanty

(74) *Attorney, Agent, or Firm* — Mark M. Friedman

(57) **CLAIM**

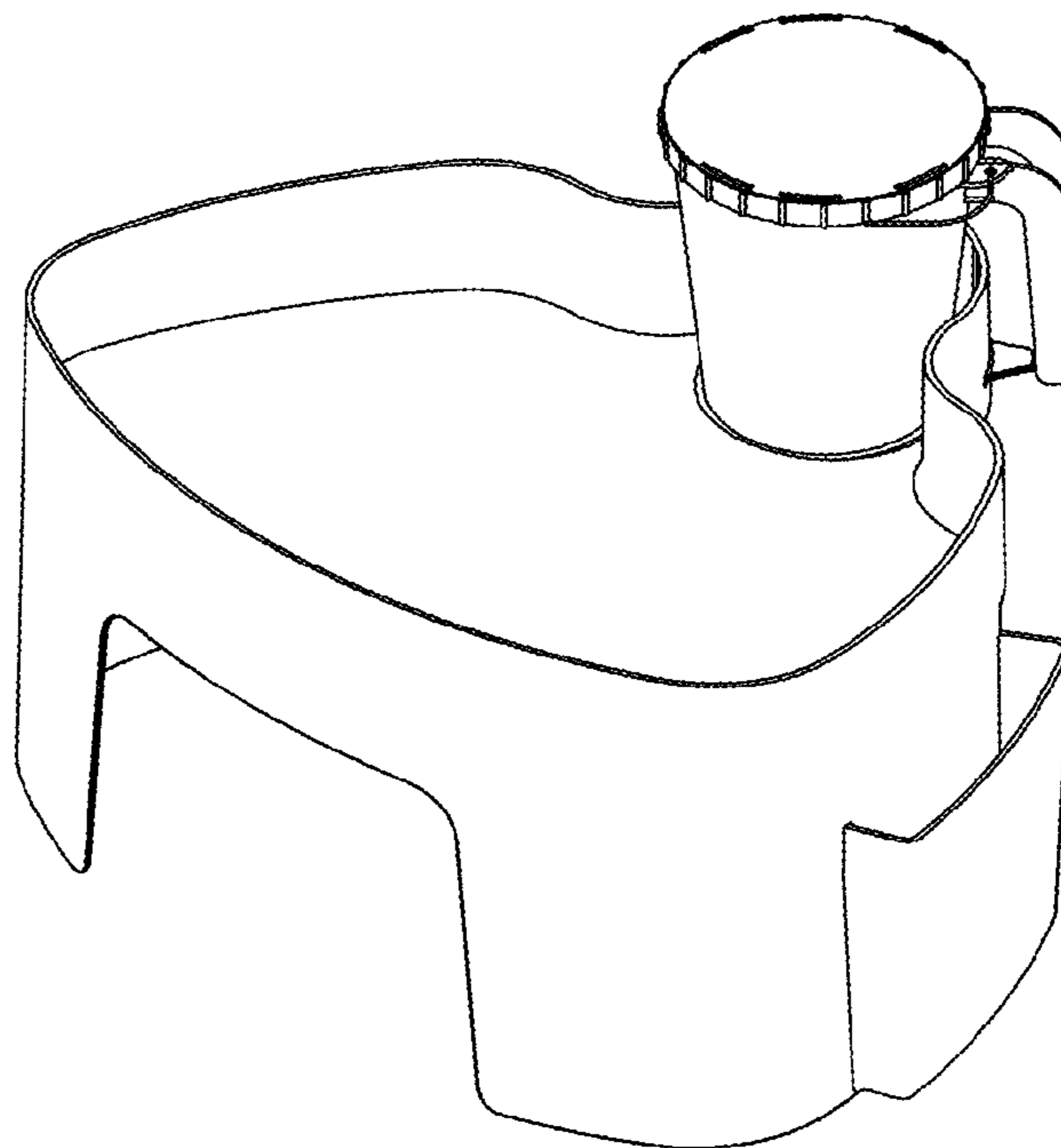
I hereby claim the design for the portable hand-washing station, as shown and described.

DESCRIPTION

FIG. 1 is a perspective view of a portable hand-washing station showing my design;
FIG. 2 is a front view thereof;
FIG. 3 is a side view thereof,
FIG. 4 is a top view thereof;
FIG. 5 is a bottom view thereof;
FIG. 6 is an explosion view thereof; and,
FIG. 7 is a sectional view thereof.

The broken line shown in the drawing views are included for the purpose of illustrating a portion of the station that forms no part of the claimed design.

1 Claim, 7 Drawing Sheets



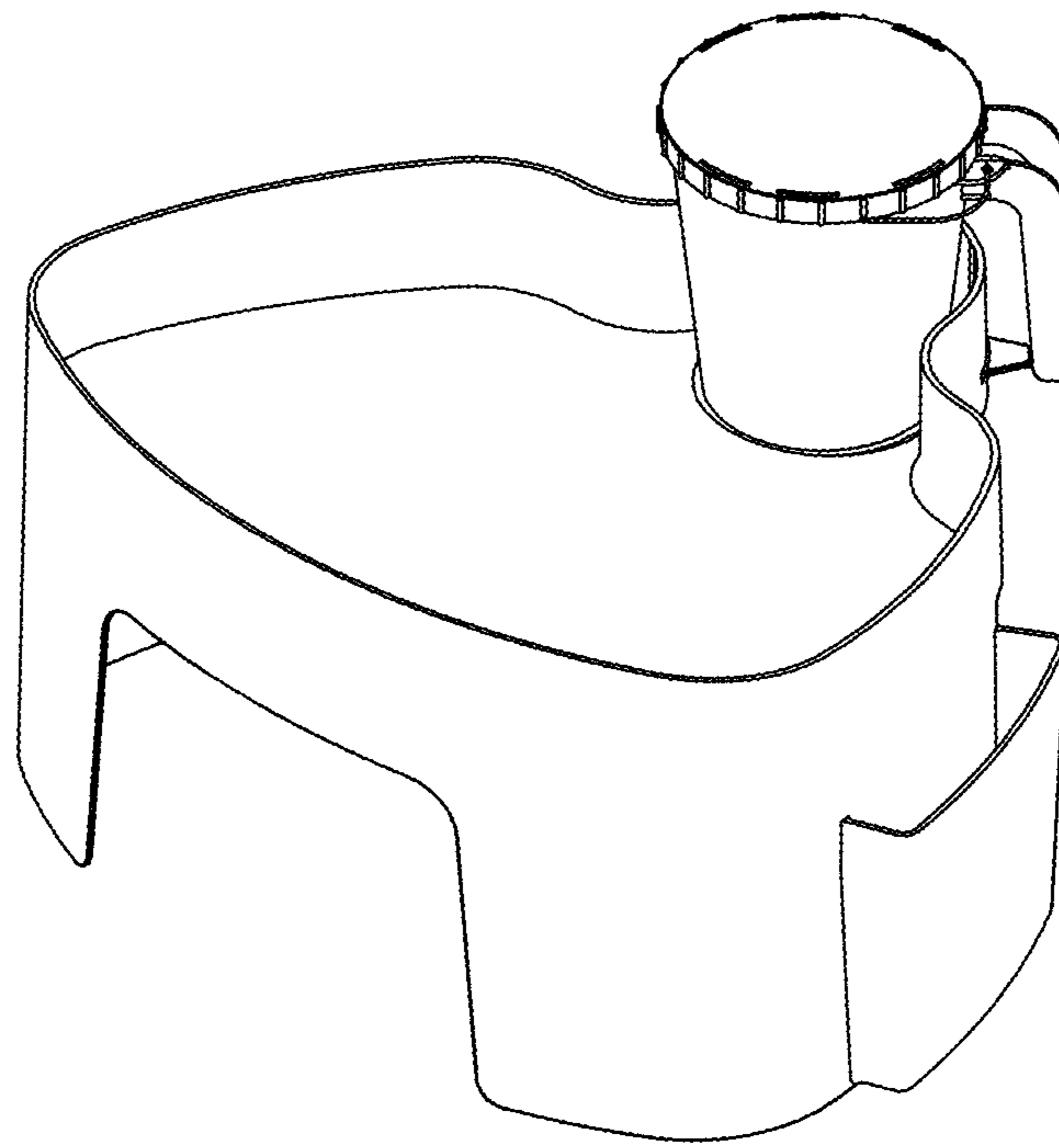


FIG. 1

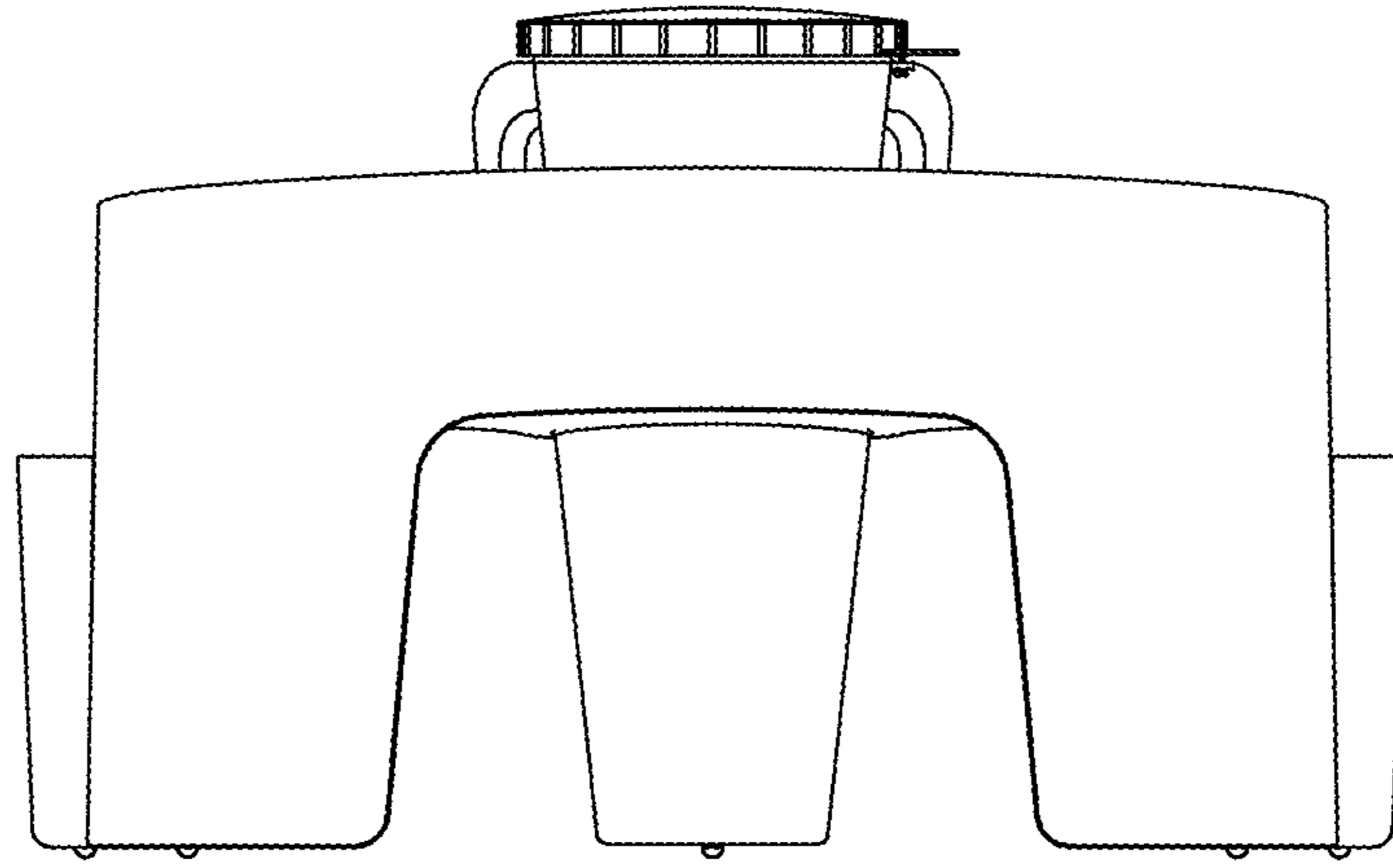


FIG. 2

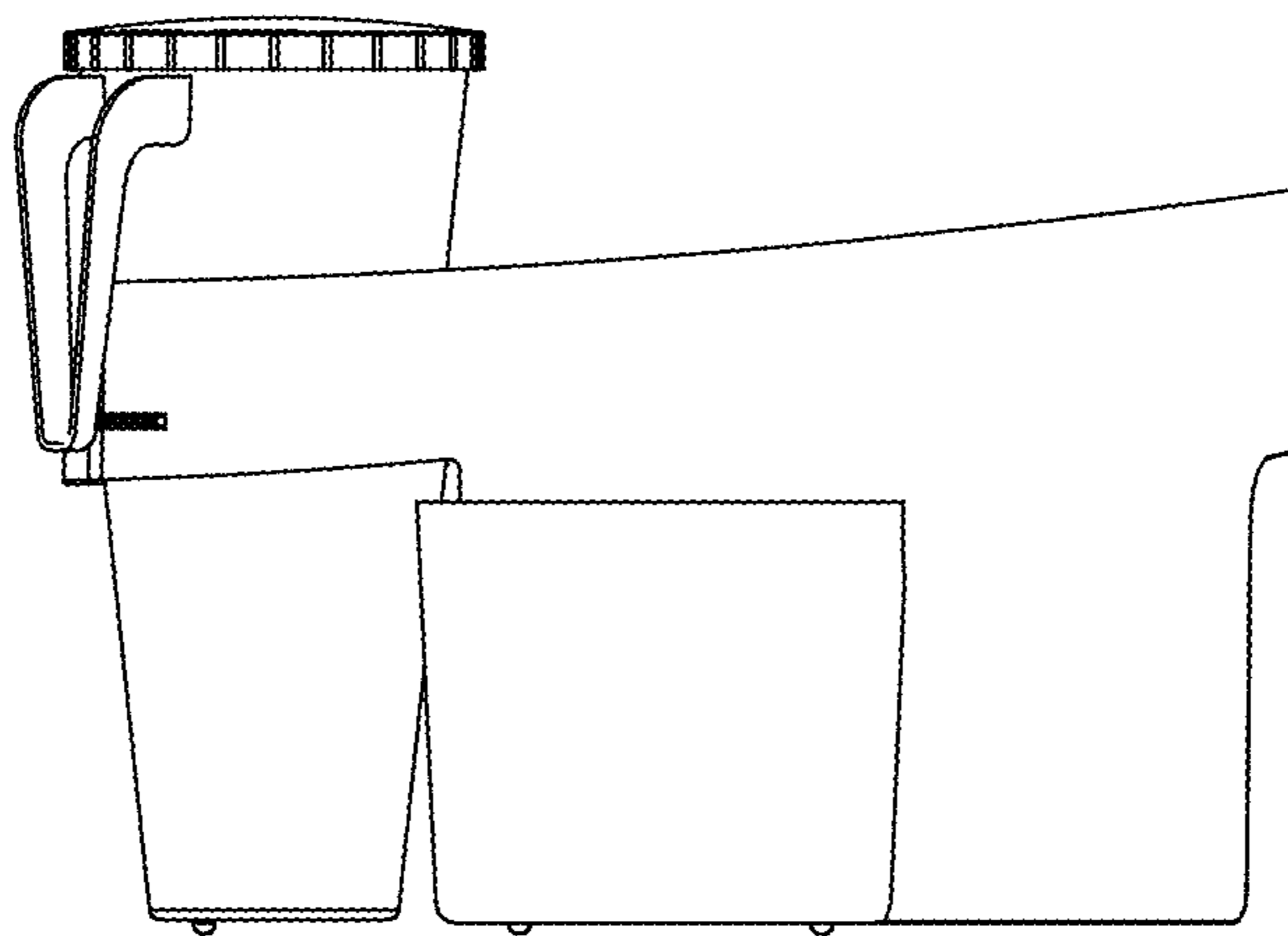


FIG. 3

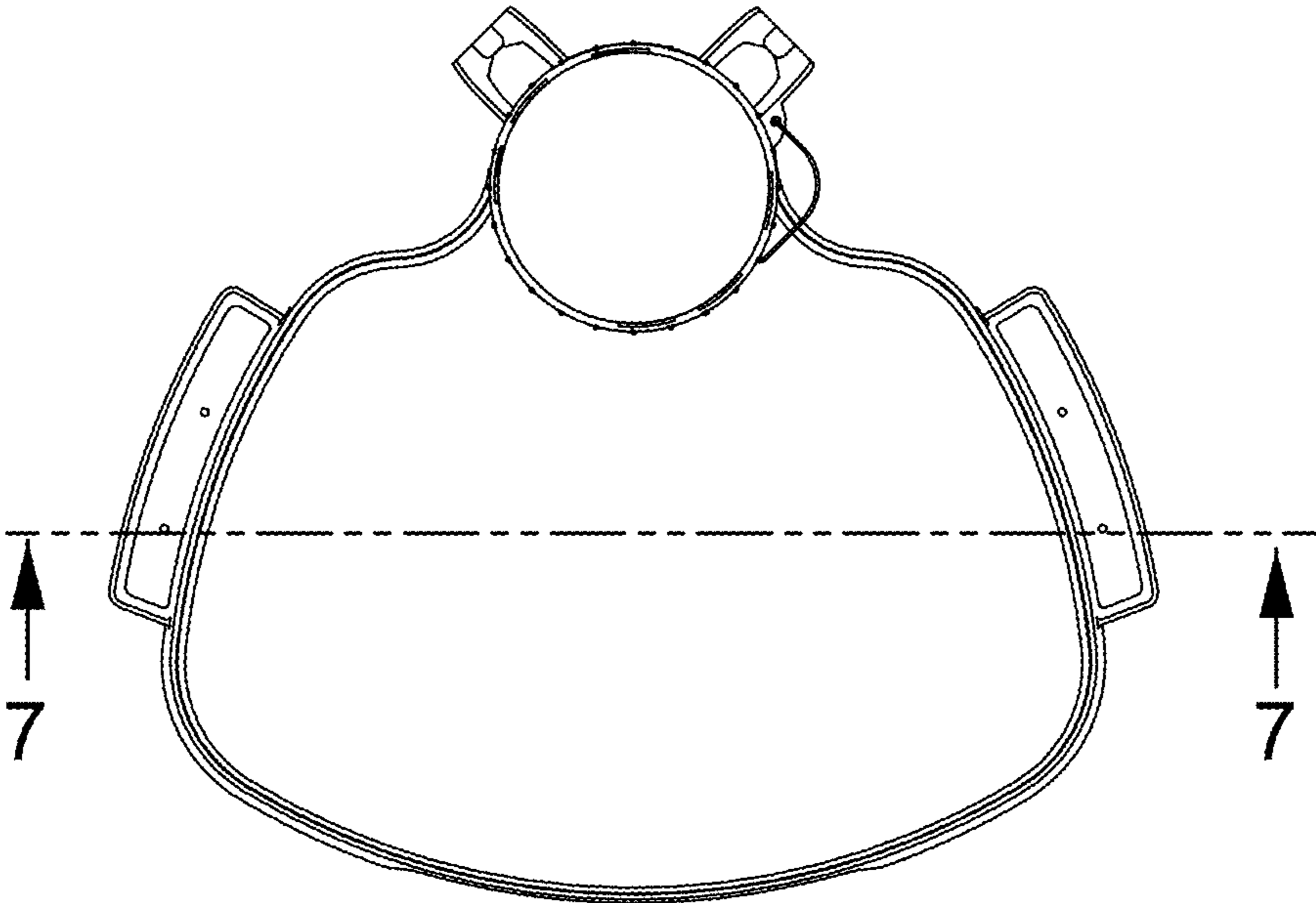


FIG. 4

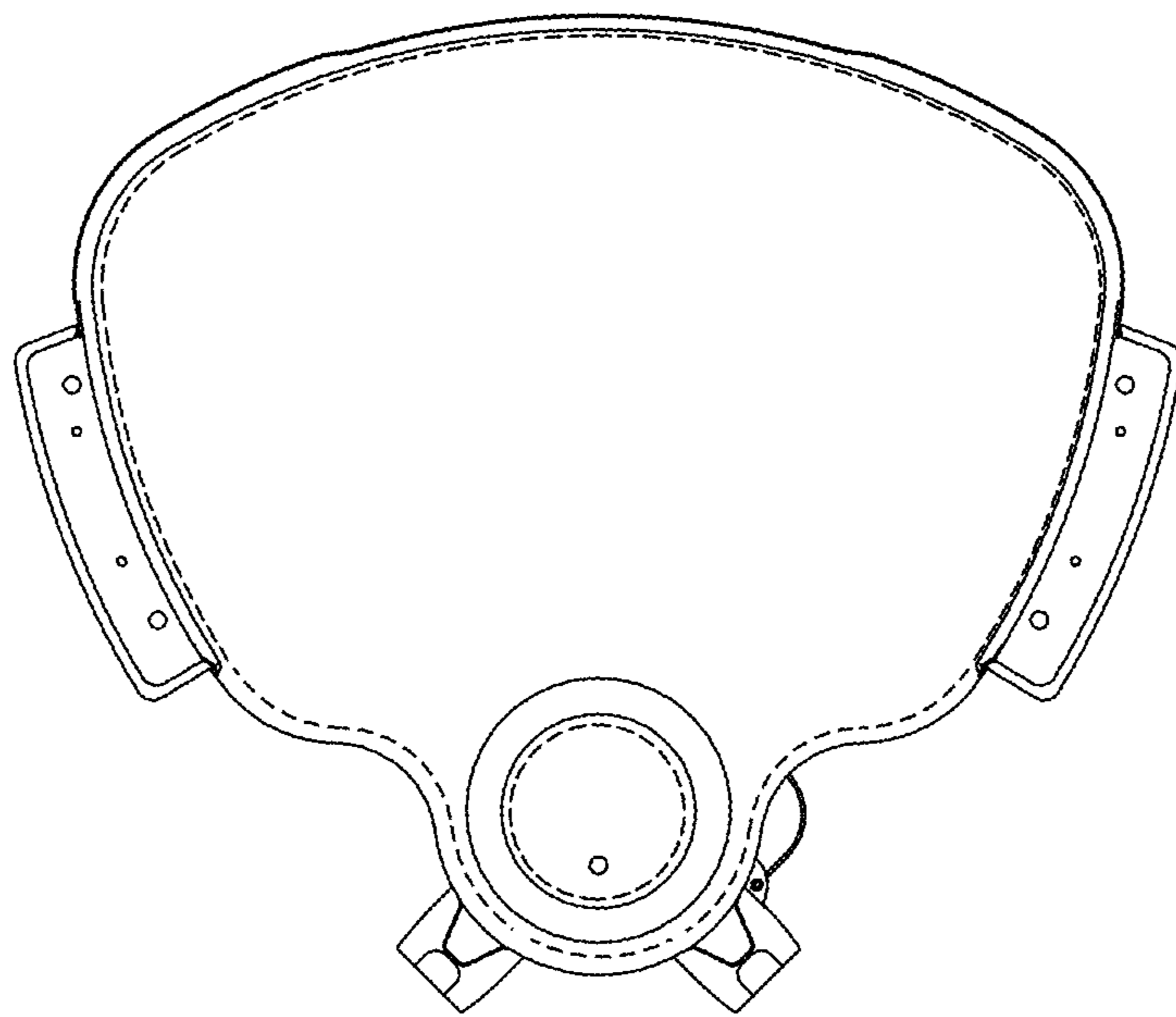


FIG. 5

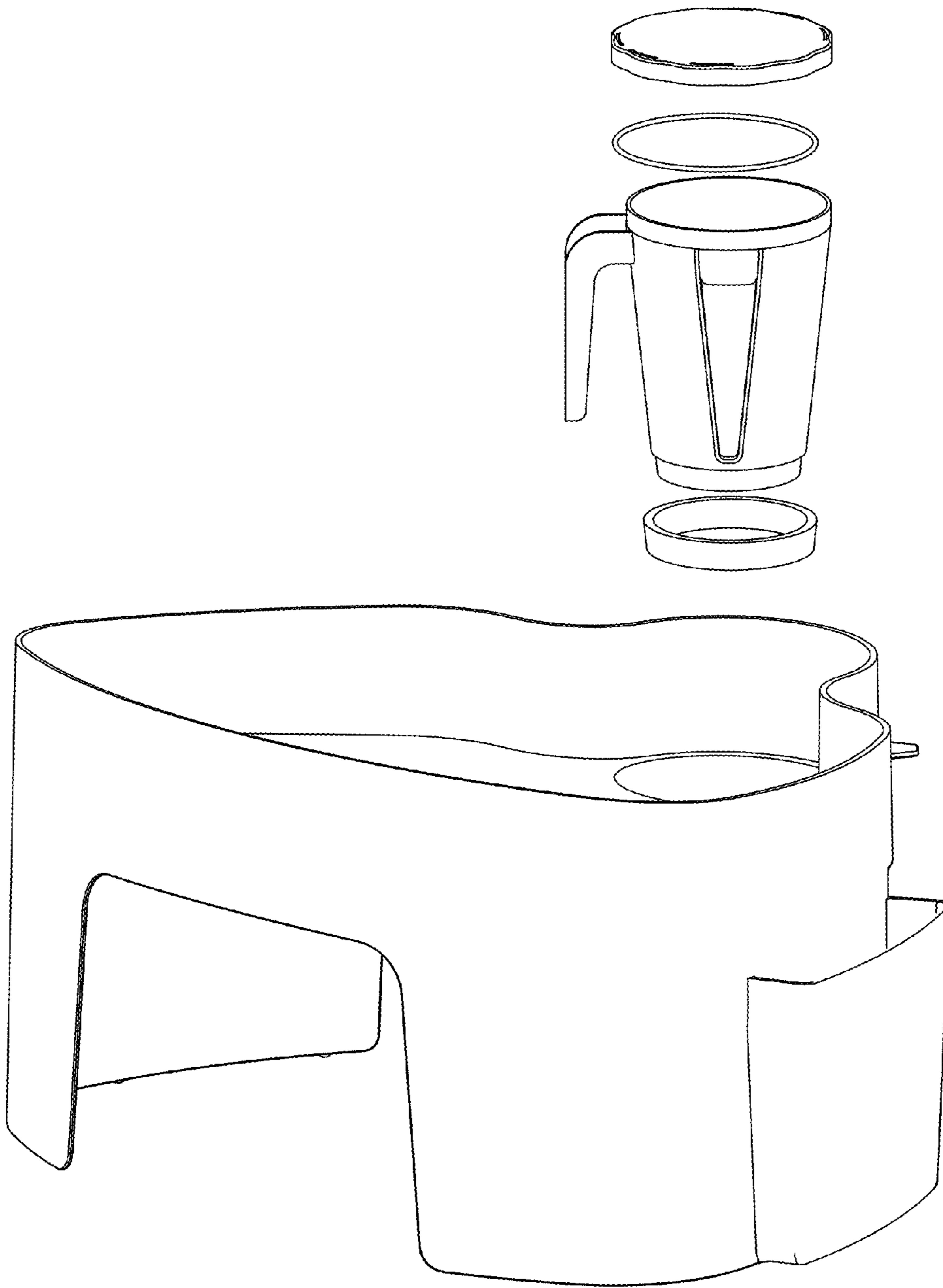


FIG. 6

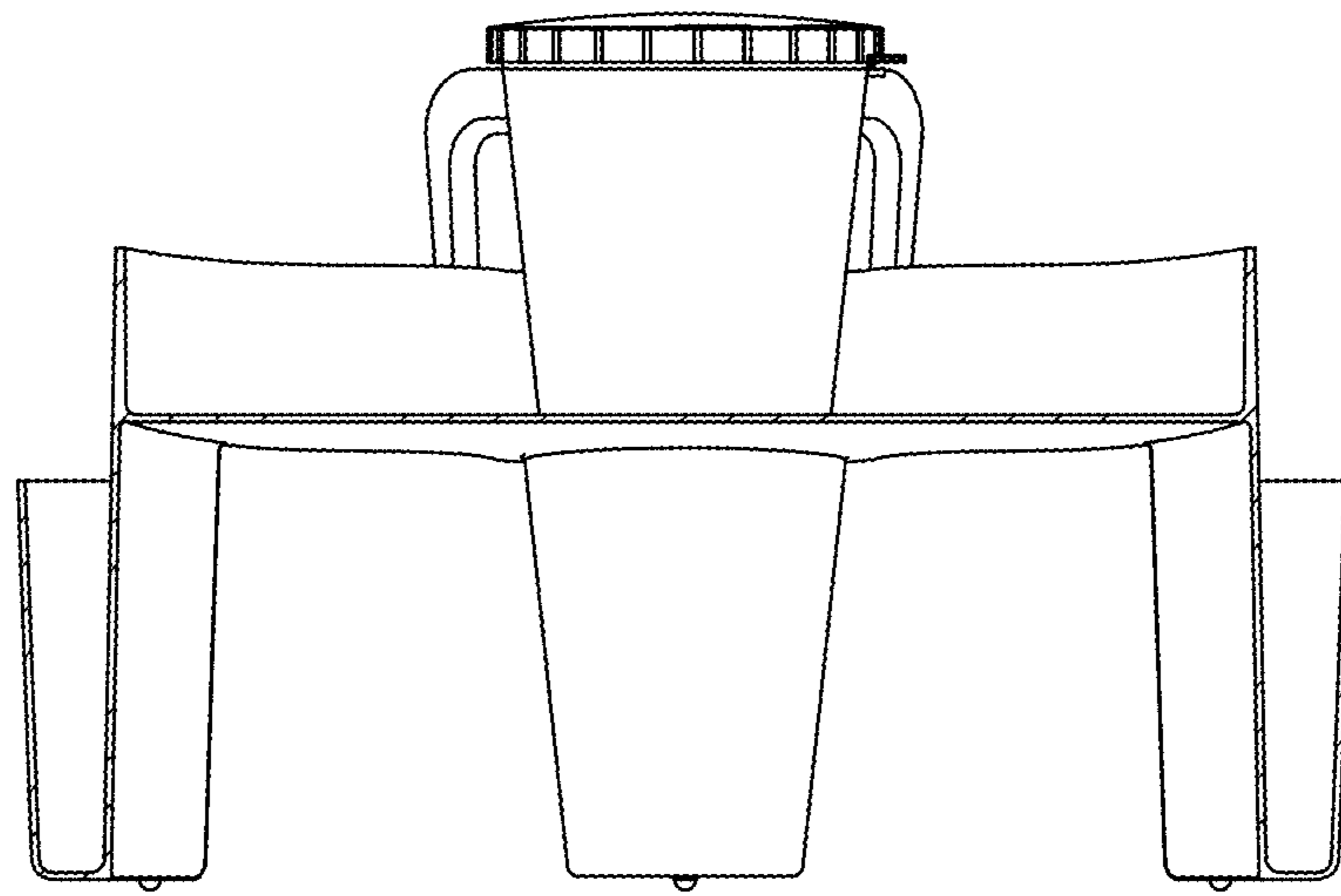


FIG. 7