



US00D714917S

(12) **United States Design Patent**
Miller et al.

(10) **Patent No.:** **US D714,917 S**
(45) **Date of Patent:** **** Oct. 7, 2014**

- (54) **WAXLESS URINAL GASKET**
- (71) Applicants: **Jody Dale Miller**, Indianapolis, IN (US);
James Robert Sweet, Indianapolis, IN (US); **Robert Martin Grimmett**, Indianapolis, IN (US)
- (72) Inventors: **Jody Dale Miller**, Indianapolis, IN (US);
James Robert Sweet, Indianapolis, IN (US); **Robert Martin Grimmett**, Indianapolis, IN (US)

| | | | | | |
|--------------|------|---------|--------------------|-------|---------|
| 4,907,301 | A * | 3/1990 | Tucker | | 4/252.5 |
| 4,962,938 | A * | 10/1990 | Cooper | | 277/598 |
| 5,377,361 | A * | 1/1995 | Piskula | | 4/252.4 |
| D372,074 | S * | 7/1996 | Wallace et al. | | D23/269 |
| 5,660,417 | A * | 8/1997 | Reeves | | 285/93 |
| D482,697 | S * | 11/2003 | Tsen | | D14/457 |
| D644,721 | S * | 9/2011 | Bond et al. | | D23/269 |
| D656,591 | S * | 3/2012 | Miller et al. | | D23/269 |
| 8,321,970 | B2 * | 12/2012 | Ball | | 4/680 |
| 8,505,132 | B2 * | 8/2013 | Ball | | 4/680 |
| 2005/0280214 | A1 * | 12/2005 | Richards | | 277/608 |
| 2009/0273143 | A1 * | 11/2009 | Nagawa et al. | | 277/608 |
| 2013/0152291 | A1 * | 6/2013 | Stonecipher et al. | | 4/252.1 |

(**) Term: **14 Years**

* cited by examiner

(21) Appl. No.: **29/421,798**

Primary Examiner — Eric Goodman

(22) Filed: **Sep. 26, 2012**

(57) **CLAIM**

(51) **LOC (10) Cl.** **23-01**

The ornamental design for waxless urinal gasket, as shown and described.

(52) **U.S. Cl.**

USPC **D23/269**

DESCRIPTION

(58) **Field of Classification Search**

USPC D23/259, 262, 264, 260; 277/602, 608, 277/625, 626, 910; 285/105, 232, 337, 370, 285/95; 4/252.1, 252.4, 252.5, 680

See application file for complete search history.

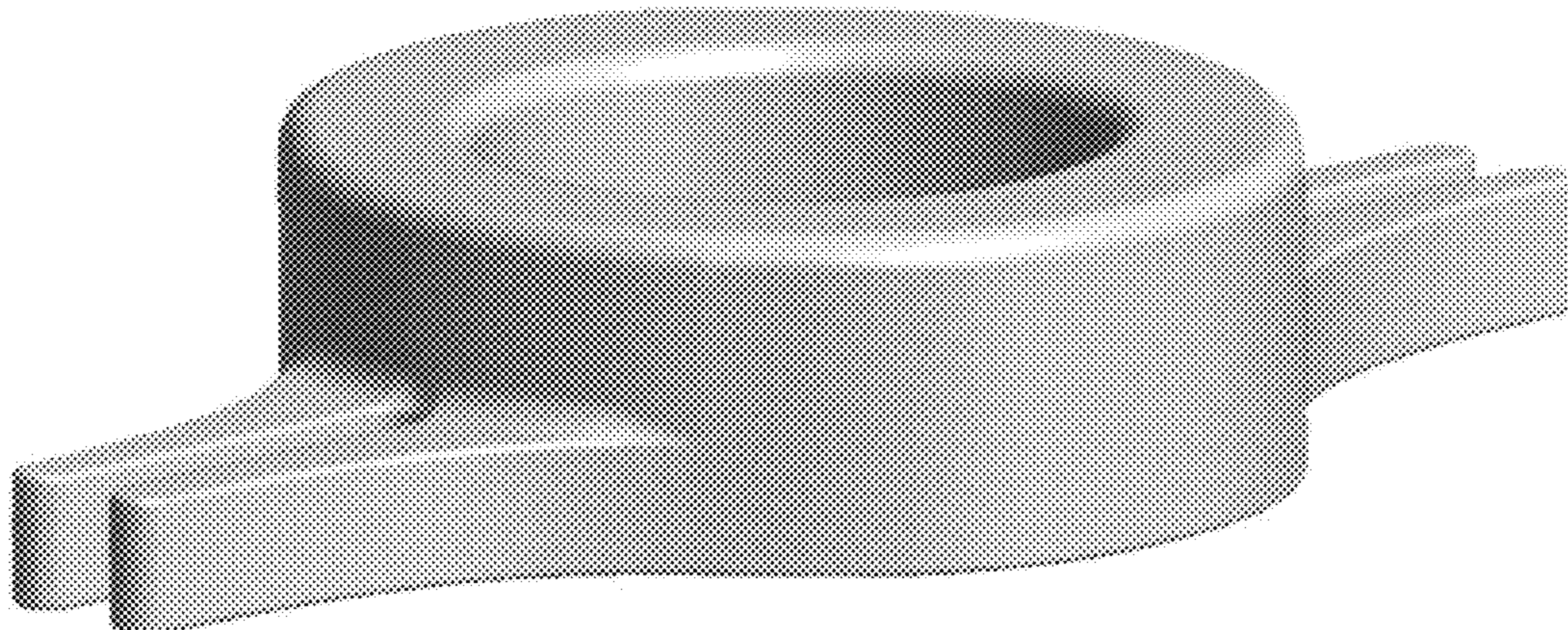
(56) **References Cited**

U.S. PATENT DOCUMENTS

| | | | | | |
|-----------|-----|---------|----------------|-------|---------|
| 1,342,001 | A * | 6/1920 | Schulte | | 429/121 |
| 1,942,704 | A * | 1/1934 | Hubbard et al. | | 277/601 |
| 3,229,242 | A * | 1/1966 | Finney et al. | | 439/679 |
| 3,311,391 | A * | 3/1967 | Harrell | | 285/58 |
| 3,579,670 | A * | 5/1971 | Frank | | 4/252.5 |
| 3,921,229 | A * | 11/1975 | Yavitch | | 4/252.5 |
| 4,052,759 | A * | 10/1977 | Hill | | 4/252.4 |
| 4,090,267 | A * | 5/1978 | Cuschera | | 4/252.5 |
| 4,139,883 | A * | 2/1979 | Ilzig et al. | | 362/404 |
| 4,355,828 | A * | 10/1982 | Taunton | | 285/342 |
| 4,384,910 | A * | 5/1983 | Prodyrna | | 156/92 |
| 4,574,402 | A * | 3/1986 | Brown, Sr. | | 4/252.5 |

FIG. 1 is an elevational view of a waxless urinal gasket, showing my new design;
 FIG. 2 is a bottom elevational view thereof;
 FIG. 3 is a top plan view thereof;
 FIG. 4 is a bottom plan view thereof;
 FIG. 5 is a front plan view thereof;
 FIG. 6 is a side plan view thereof;
 FIG. 7 is an exploded view of the waxless urinal gasket, incorporating the present invention positioned between a urinal flange attached to a wall drain and a urinal outlet, the broken lines are included for the purpose of illustrating environment and form no part of the claimed design; and,
 FIG. 8 is a cross-sectional view taken along the line 8-8 of FIG. 7 and viewed in the direction of the arrows, the broken lines are included for the purpose of illustrating environment and form no part of the claimed design.

1 Claim, 8 Drawing Sheets



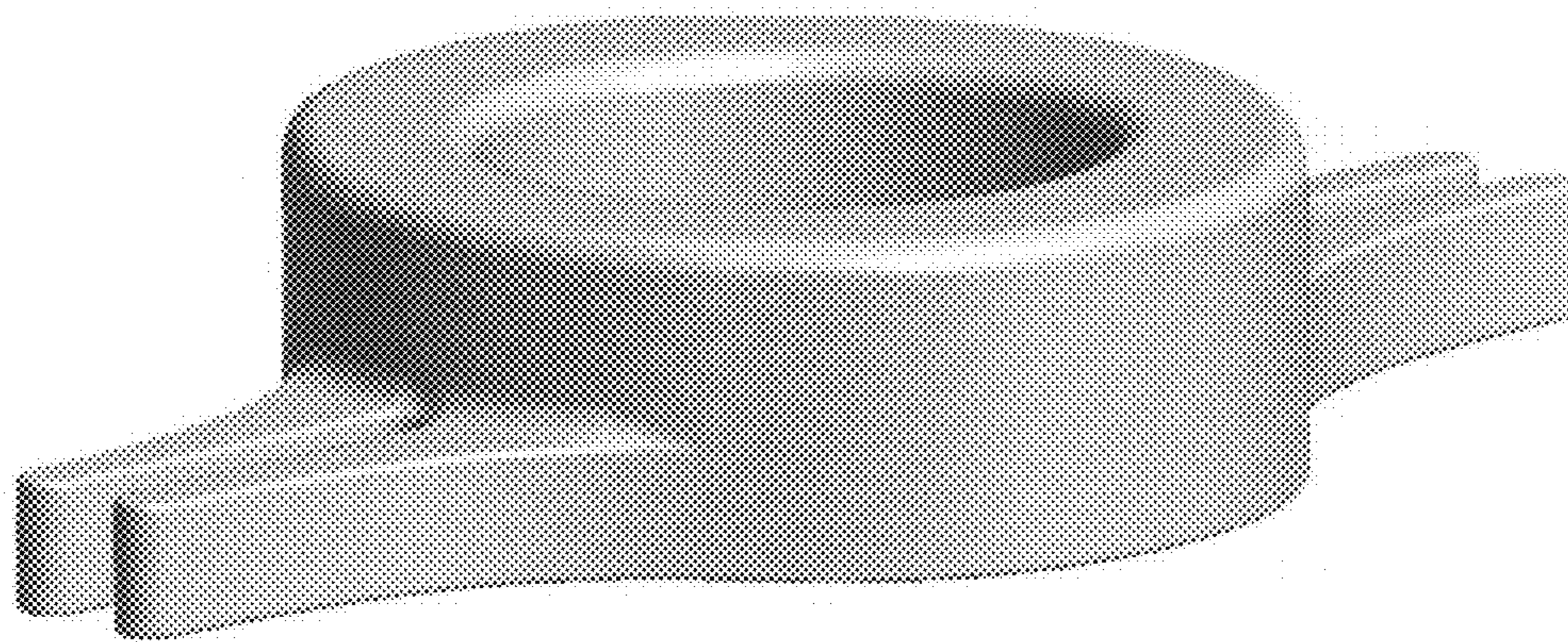


FIG. 1

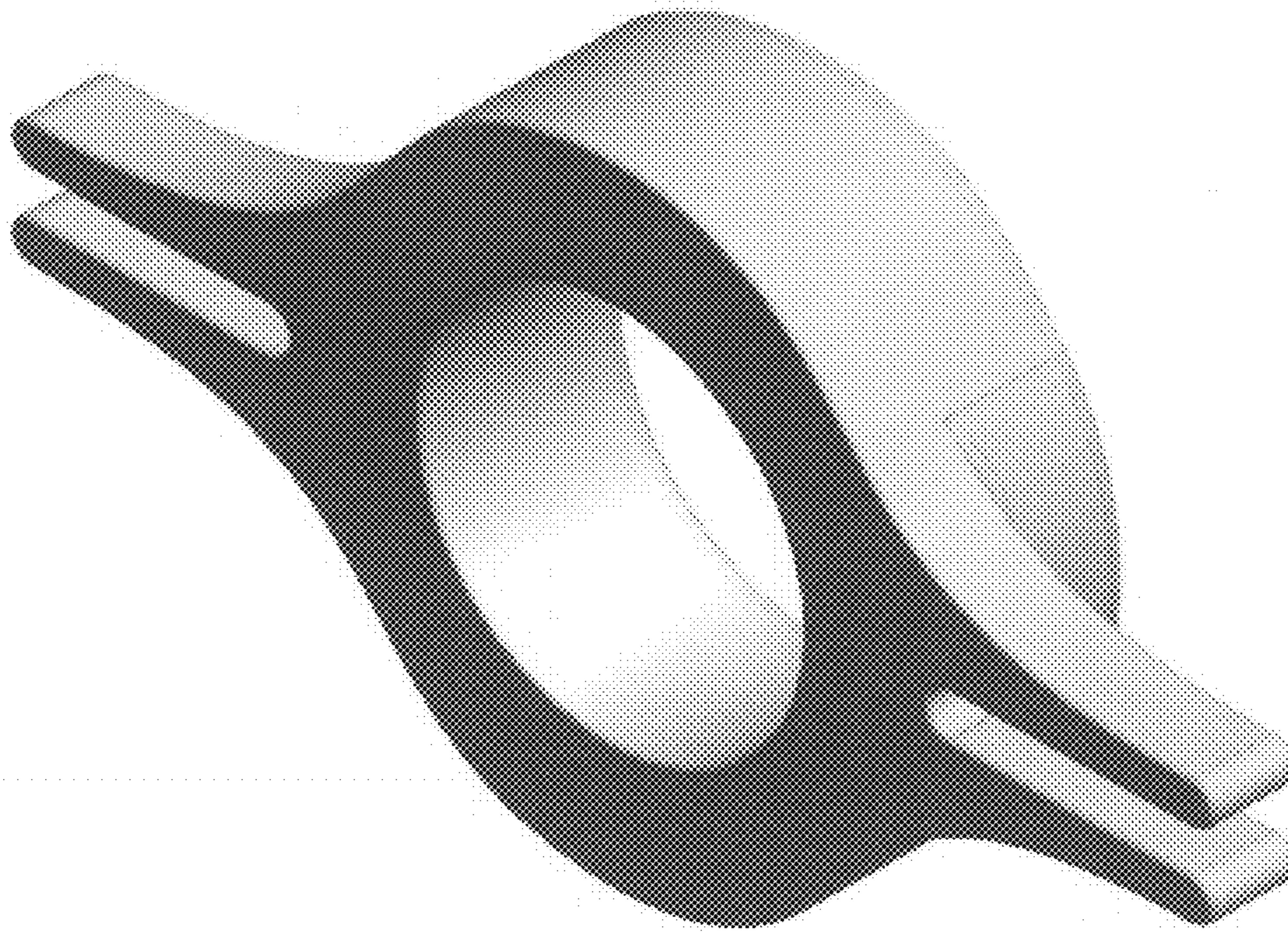


FIG. 2

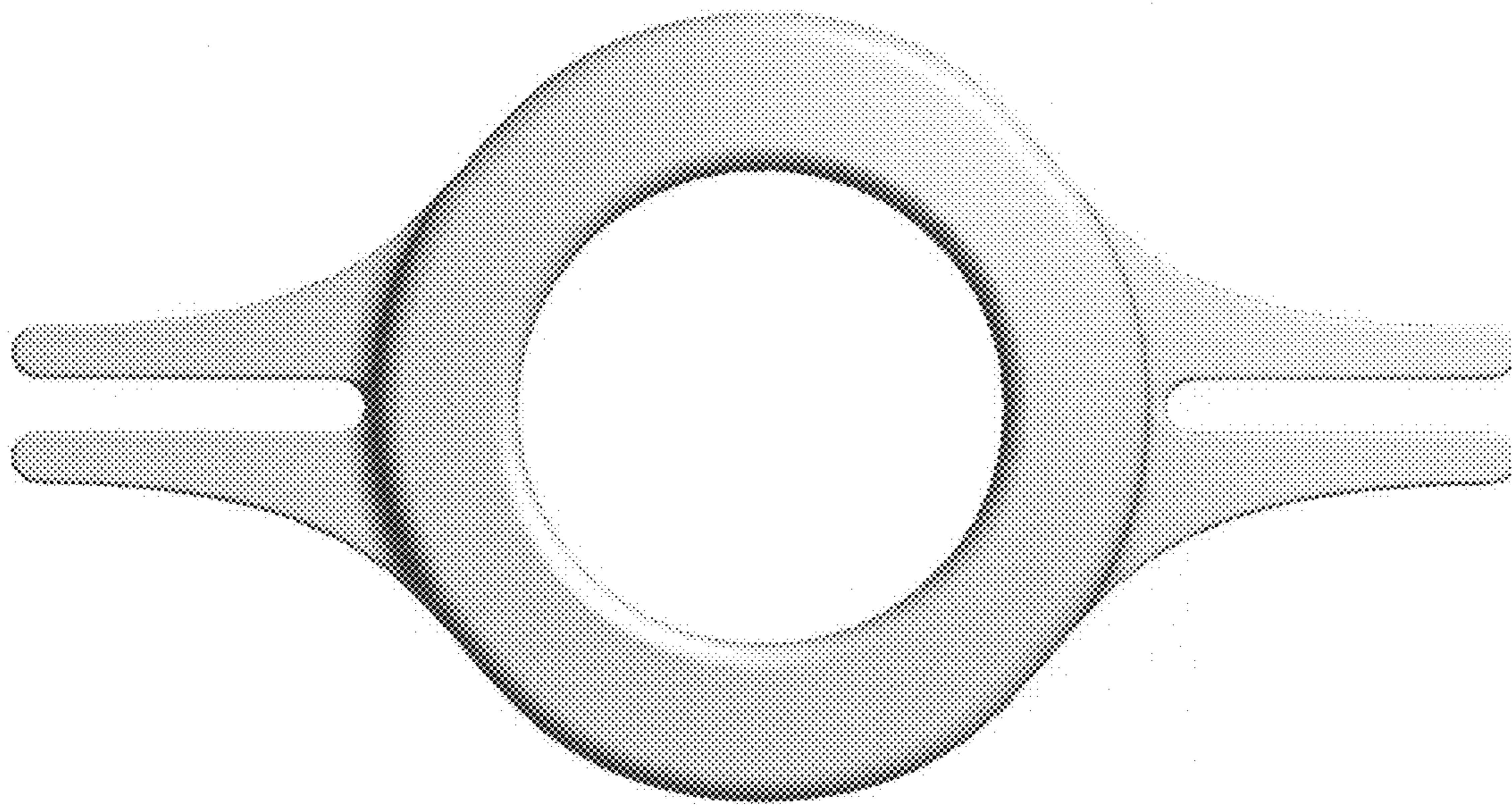


FIG. 3

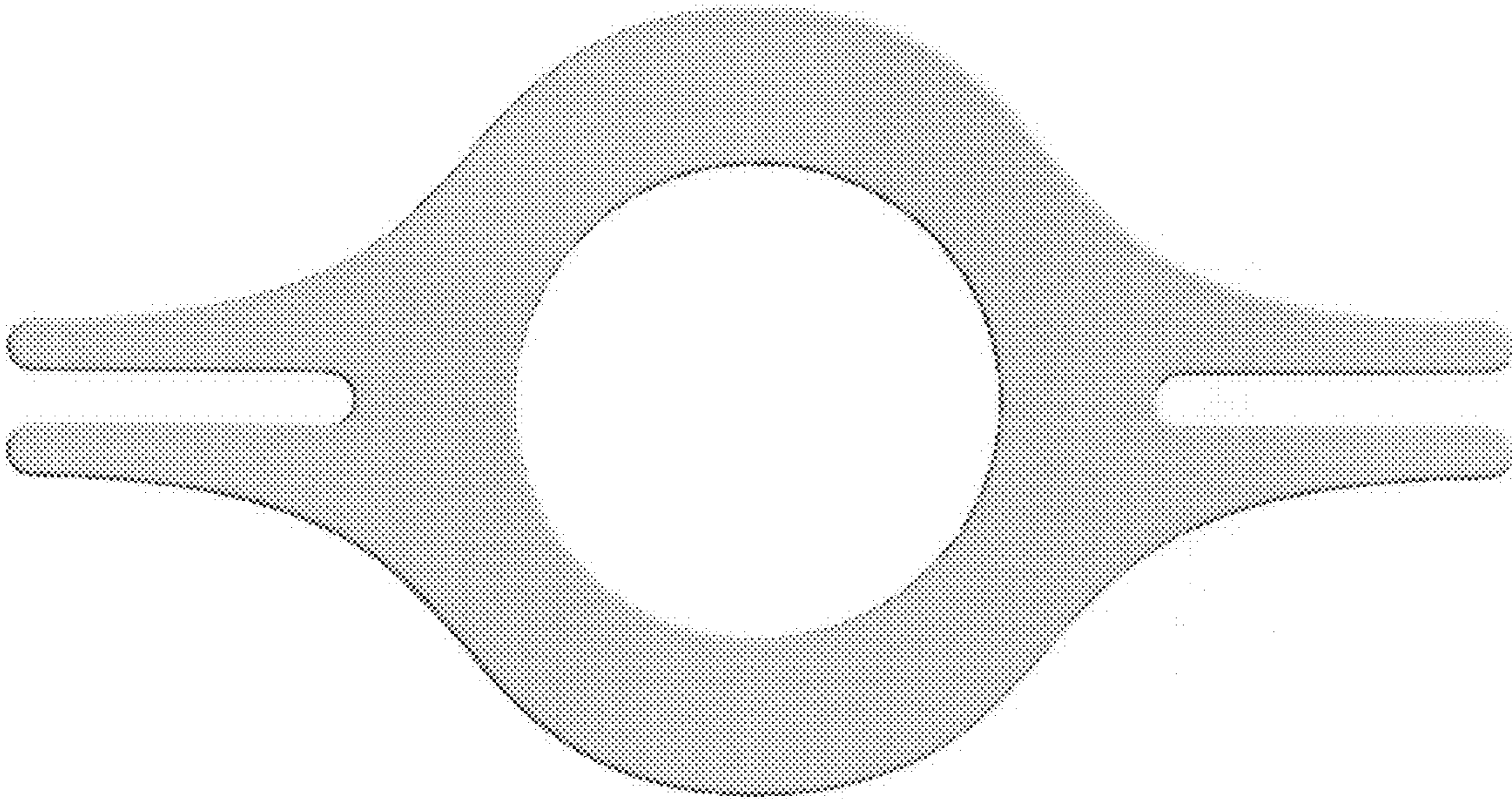


FIG. 4

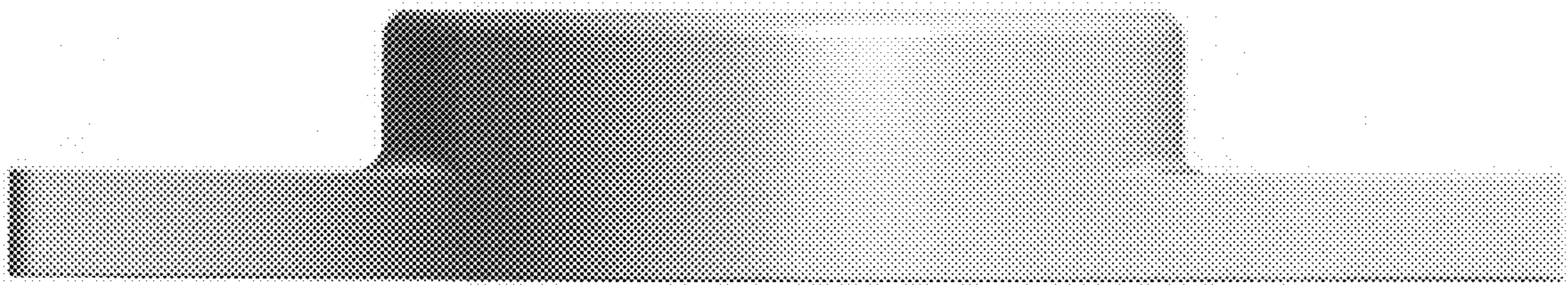


FIG. 5

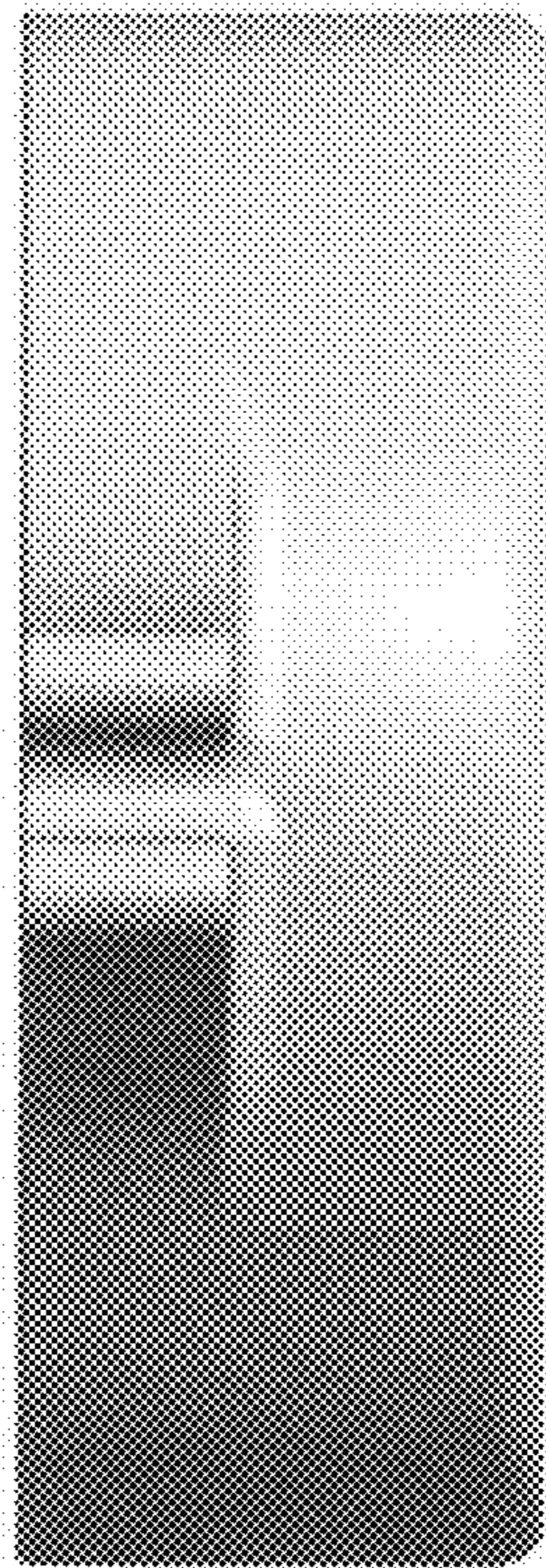


FIG. 6

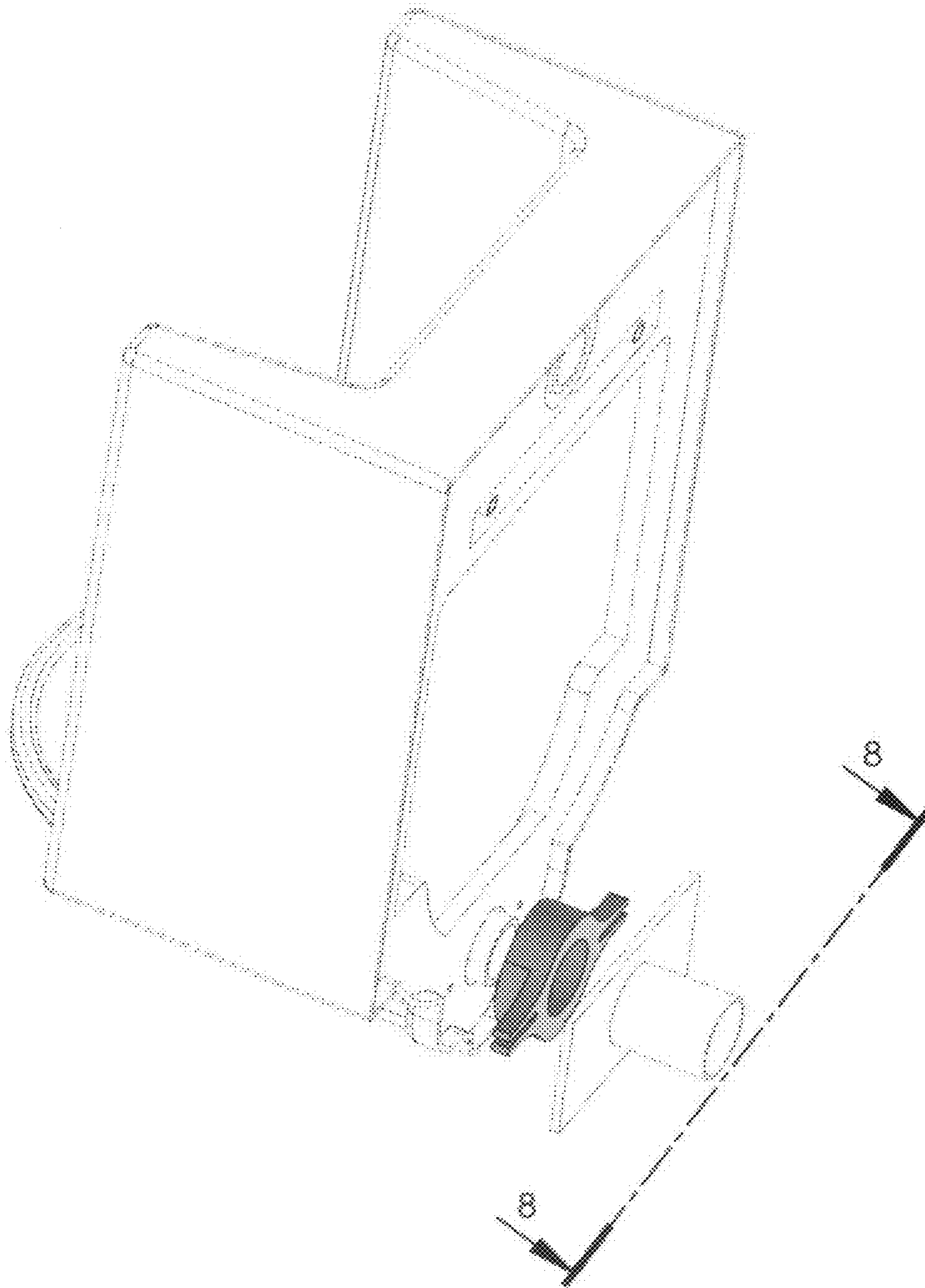


FIG. 7

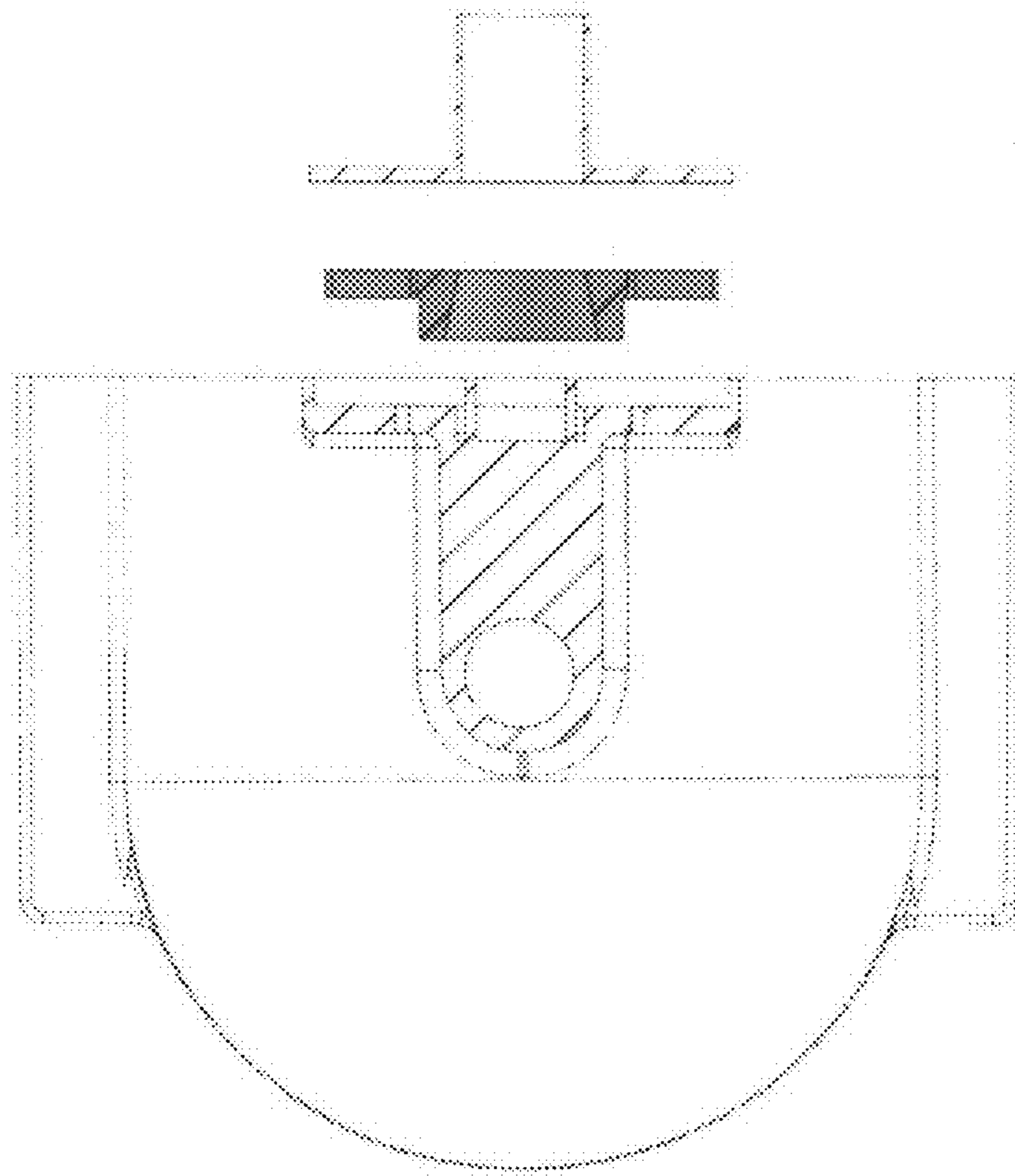


FIG. 8