



US00D714912S

(12) **United States Design Patent**  
**Barry**

(10) **Patent No.:** **US D714,912 S**

(45) **Date of Patent:** **\*\* Oct. 7, 2014**

(54) **FAUCET**

D627,860 S 11/2010 Sedwick  
D634,815 S 3/2011 Barry  
D640,352 S 6/2011 Barry  
D664,630 S 7/2012 Fritz et al.

(71) Applicant: **Kohler Co.**, Kohler, WI (US)

(72) Inventor: **Barbara Barry**, Los Angeles, CA (US)

*Primary Examiner* — Robert Delehanty

(73) Assignee: **Kohler Co.**, Kohler, WI (US)

(74) *Attorney, Agent, or Firm* — Foley & Lardner LLP

(\*\*) Term: **14 Years**

(57) **CLAIM**

(21) Appl. No.: **29/485,642**

I claim the ornamental design for a faucet, as shown and described.

(22) Filed: **Mar. 20, 2014**

**DESCRIPTION**

**Related U.S. Application Data**

(62) Division of application No. 29/452,526, filed on Apr. 17, 2013, now Pat. No. Des. 703,792.

FIG. 1 is a top, left, front perspective view of an embodiment of the claimed design;

(51) **LOC (10) Cl.** ..... **23-01**

FIG. 2 is a front elevation view thereof;

(52) **U.S. Cl.**

FIG. 3 is a rear elevation view thereof;

USPC ..... **D23/249**

FIG. 4 is a right elevation view thereof;

(58) **Field of Classification Search**

USPC ..... D23/238–243, 249, 255, 257;  
4/675–678; 137/801

FIG. 5 is a left elevation view thereof;

See application file for complete search history.

FIG. 6 is a top plan view thereof; and,

FIG. 7 is a bottom plan view thereof.

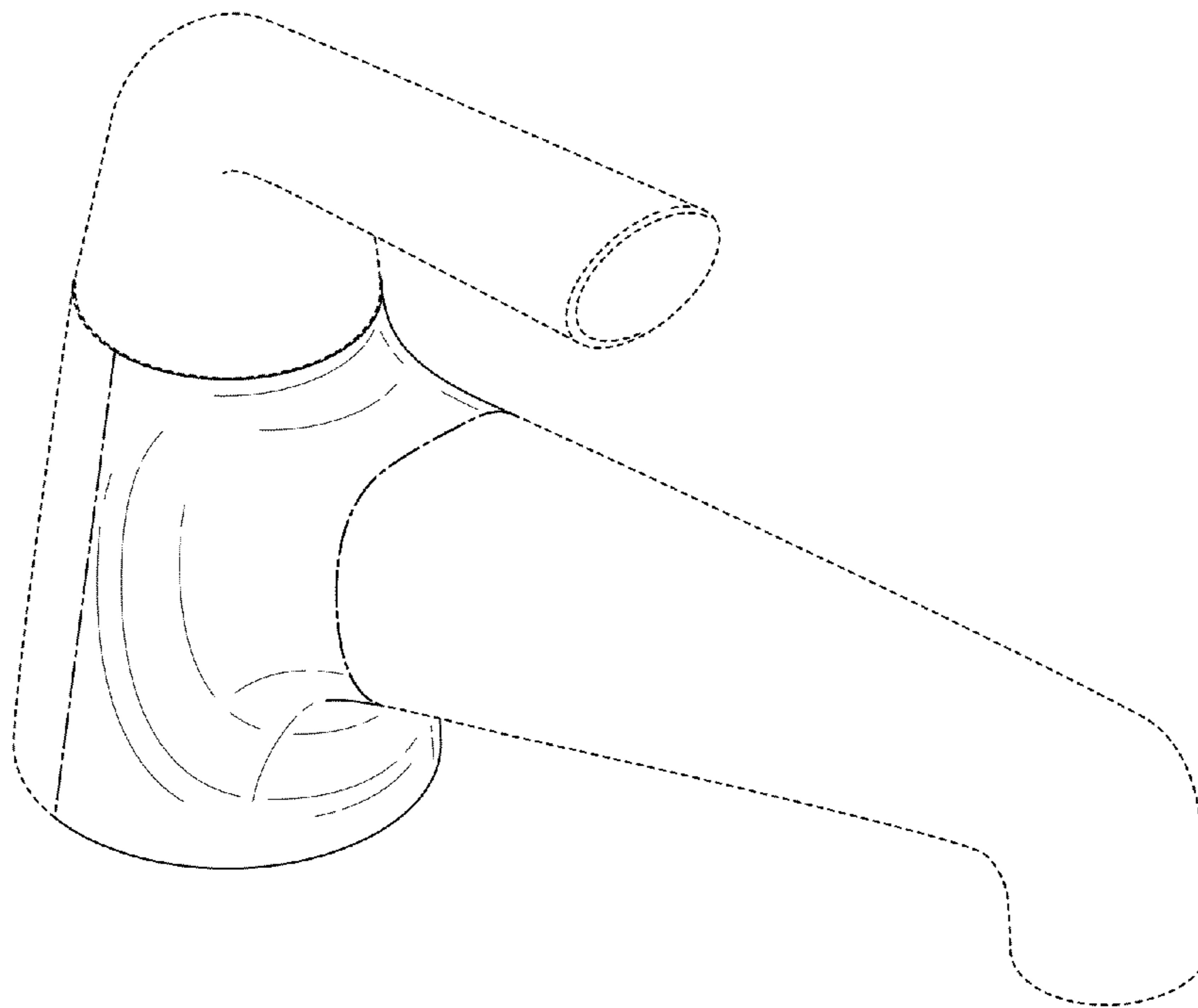
(56) **References Cited**

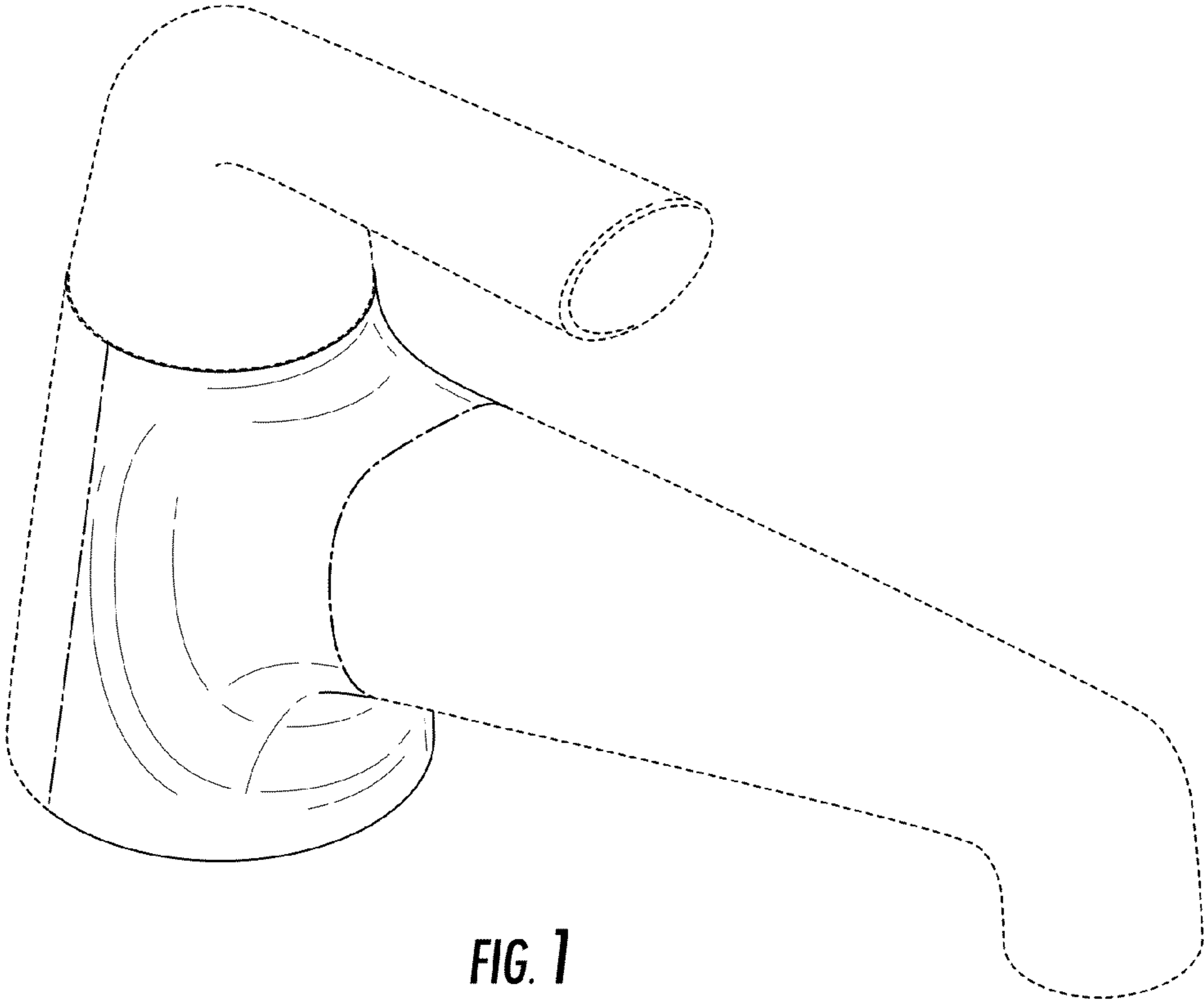
The ornamental design which is claimed is shown in solid lines in the drawings. The broken lines in the drawings are for illustrative purposes only and form no part of the claimed design. Broken lines formed by equal length dashes show unclaimed portions of the design. Broken lines formed of unequal length dashes (i.e., dash-dot) show boundaries between claimed and unclaimed portions of the design.

**U.S. PATENT DOCUMENTS**

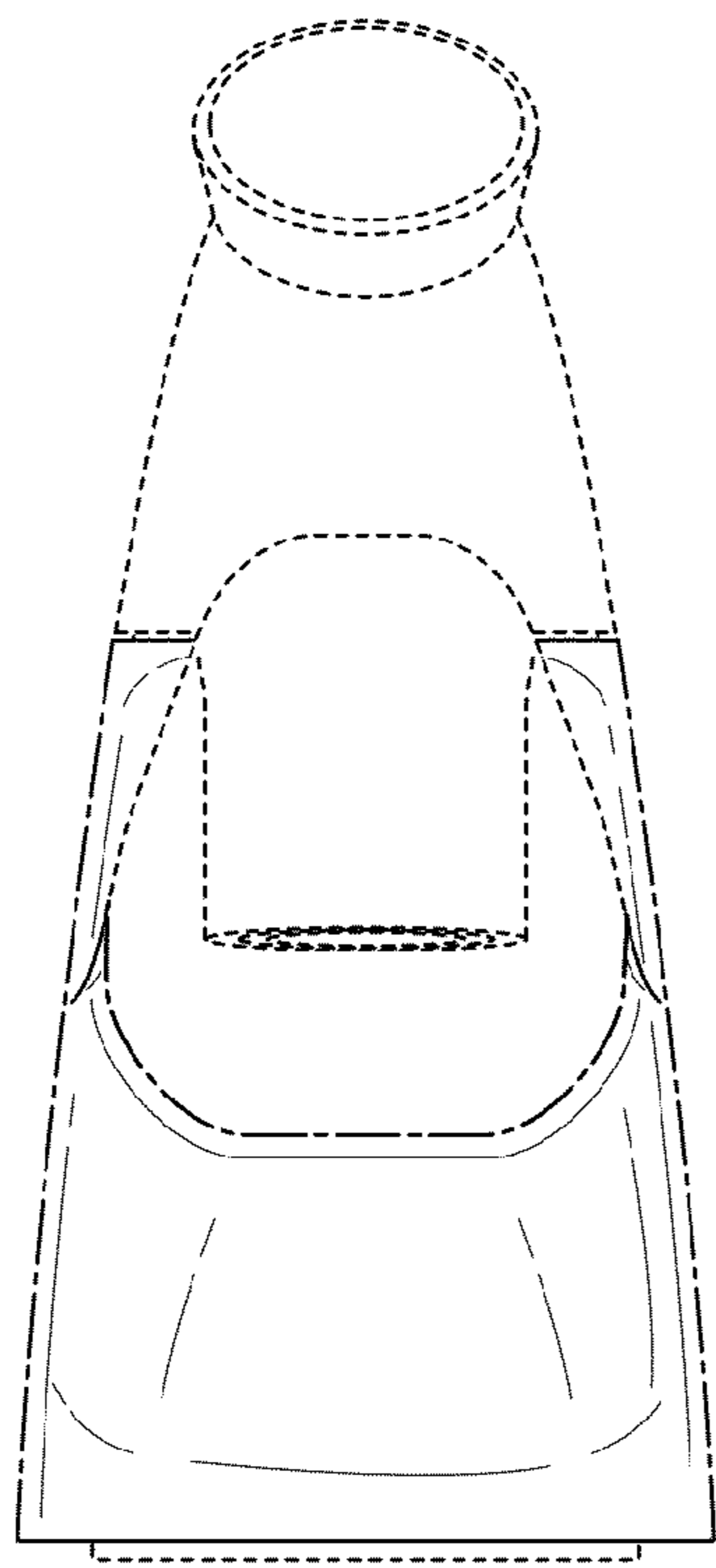
D578,616 S 10/2008 Fritz et al.  
D622,817 S 8/2010 Painter

**1 Claim, 5 Drawing Sheets**

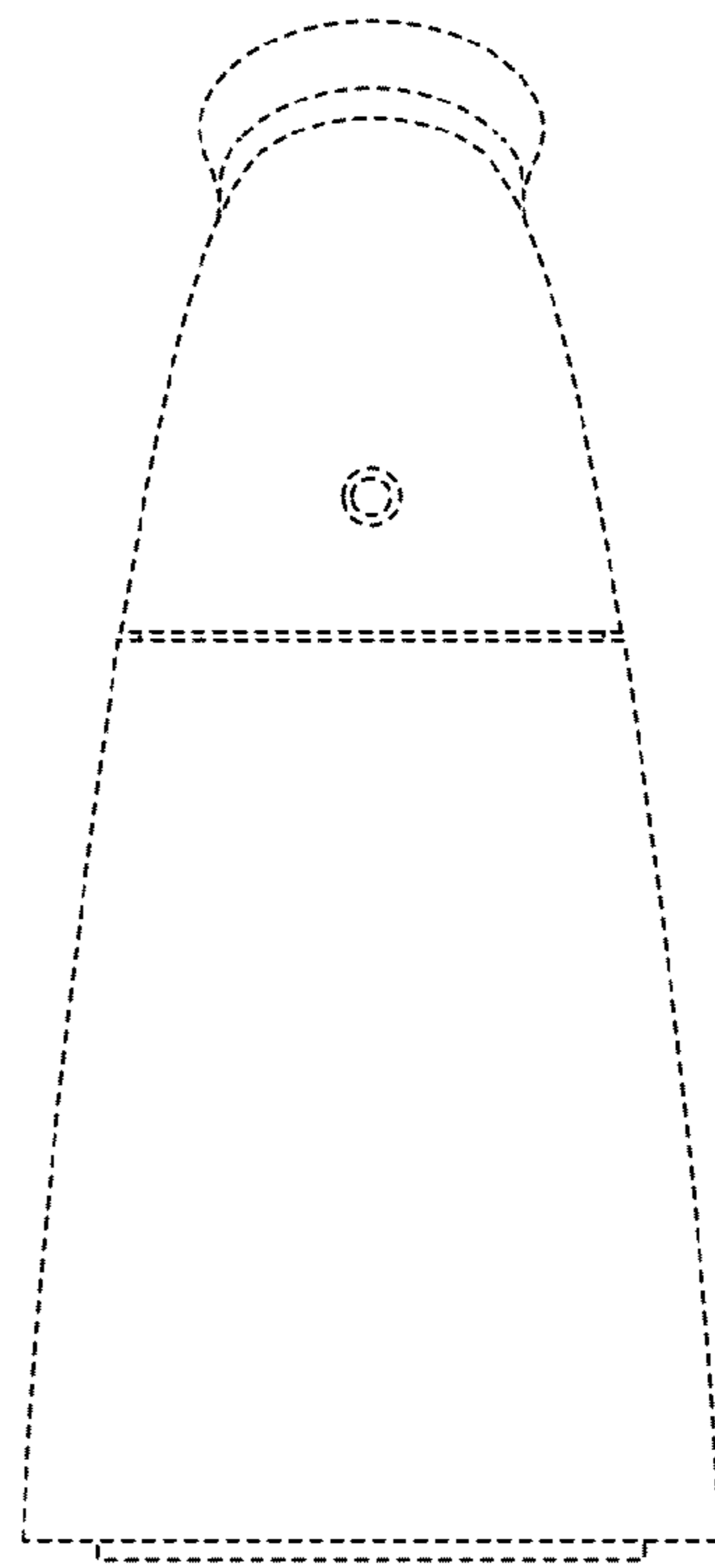




**FIG. 1**



**FIG. 2**



**FIG. 3**

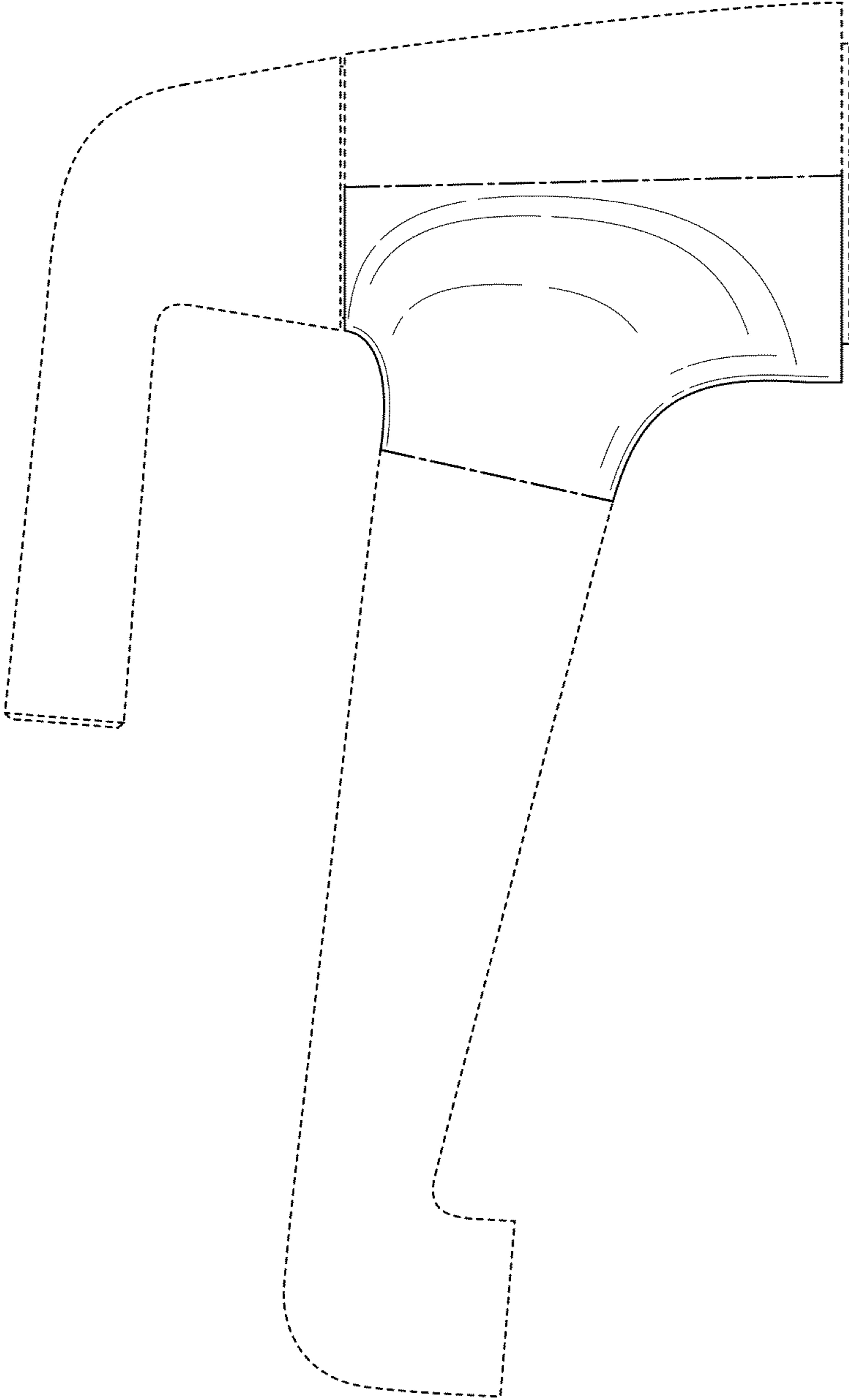


FIG. 4

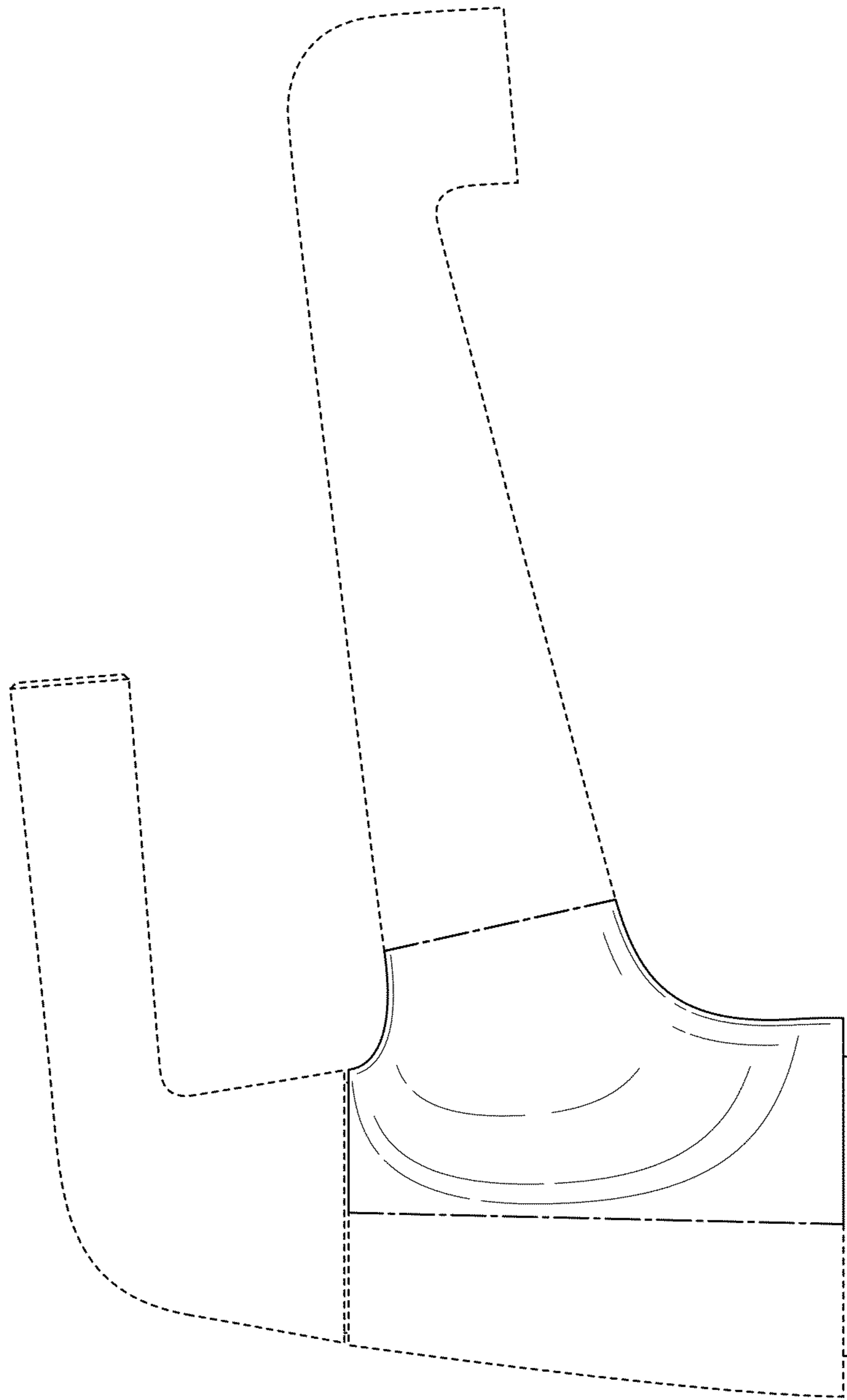
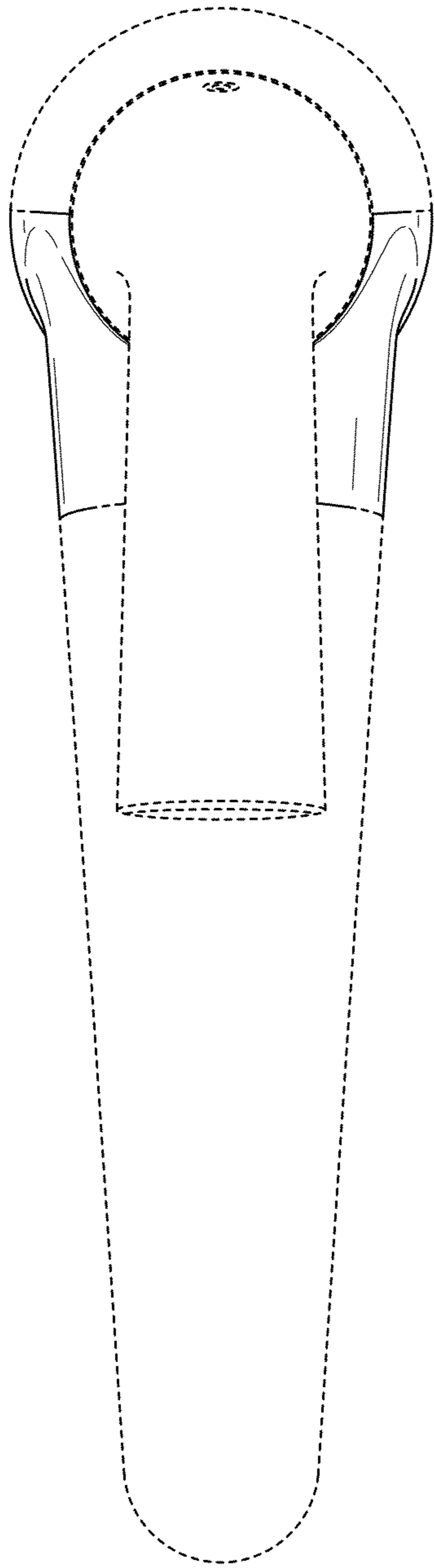
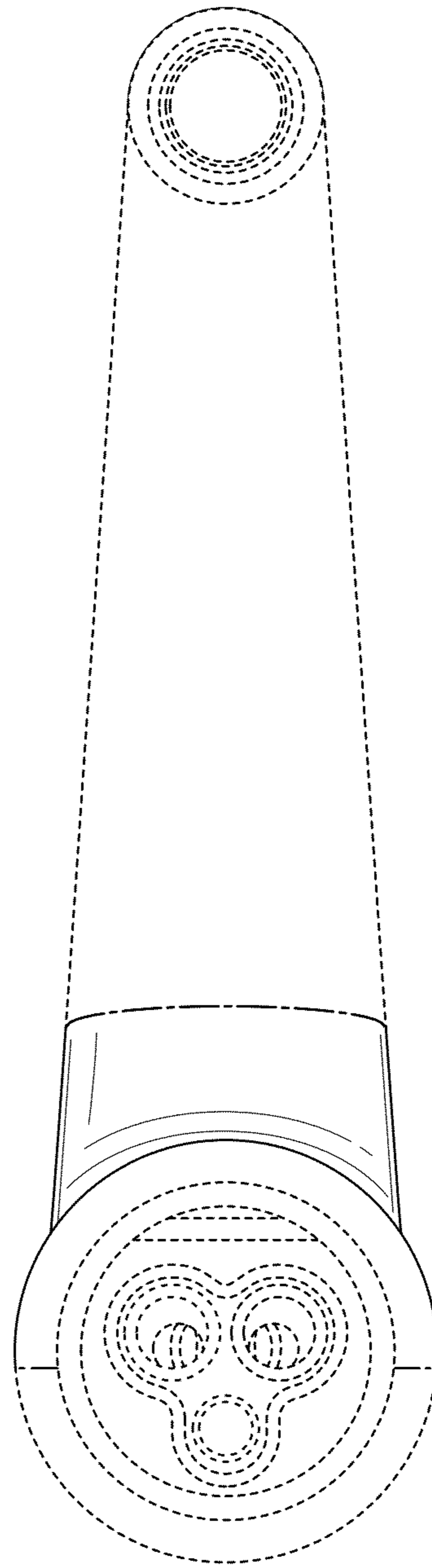


FIG. 5



**FIG. 6**



**FIG. 7**