



US00D714911S

(12) **United States Design Patent**
Cai

(10) **Patent No.:** **US D714,911 S**

(45) **Date of Patent:** **** Oct. 7, 2014**

(54) **FAUCET SET**

(71) Applicant: **TWI International Taiwan, Inc.,**
Taichung (TW)

(72) Inventor: **Jia-Lin Cai,** Taichung (TW)

(**) Term: **14 Years**

(21) Appl. No.: **29/475,788**

(22) Filed: **Dec. 6, 2013**

(51) **LOC (10) Cl.** **23-01**

(52) **U.S. Cl.**
USPC **D23/249**

(58) **Field of Classification Search**
USPC D23/238–243, 250, 254–255, 257, 249;
4/675–678; 137/801
See application file for complete search history.

(56) **References Cited**

U.S. PATENT DOCUMENTS

D462,421 S * 9/2002 Hundley D23/252
D584,383 S * 1/2009 Eilmus D23/241

D686,301 S * 7/2013 Fritz D23/249

* cited by examiner

Primary Examiner — Robert Delehanty

(57) **CLAIM**

The ornamental design for a faucet set, as shown and described.

DESCRIPTION

FIG. 1 is a perspective view of a faucet set showing my new design;

FIG. 2 is a front elevational view thereof;

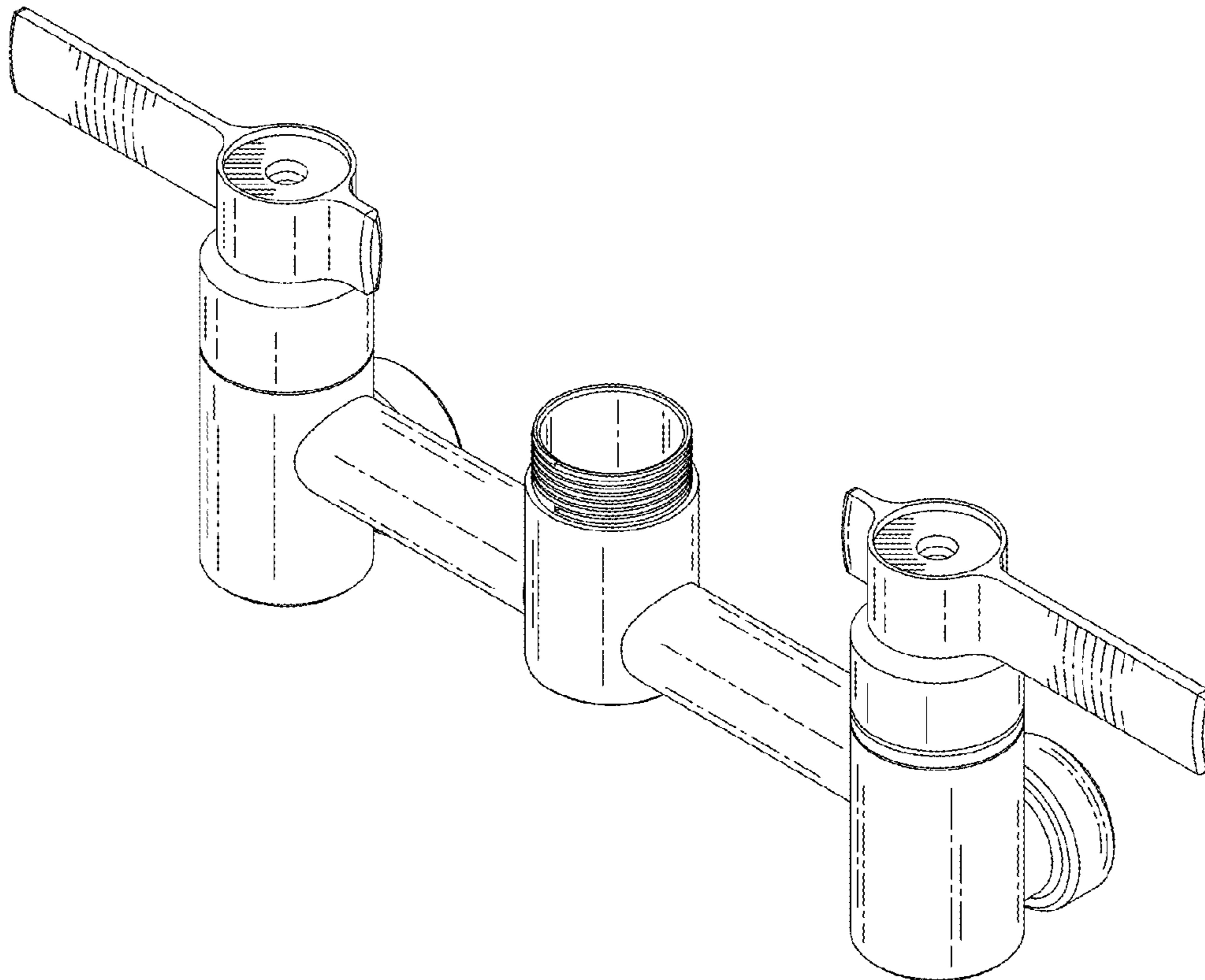
FIG. 3 is a left side elevational view thereof;

FIG. 4 is a right side elevational view thereof;

FIG. 5 is a perspective schematic view illustrating an application of a faucet set showing my design, wherein the broken lines illustrate environmental structure and form no part of the claimed design; and,

FIG. 6 is another perspective schematic view illustrating an application of a faucet set showing my design, wherein the broken lines illustrate environmental structure and form no part of the claimed design.

1 Claim, 5 Drawing Sheets



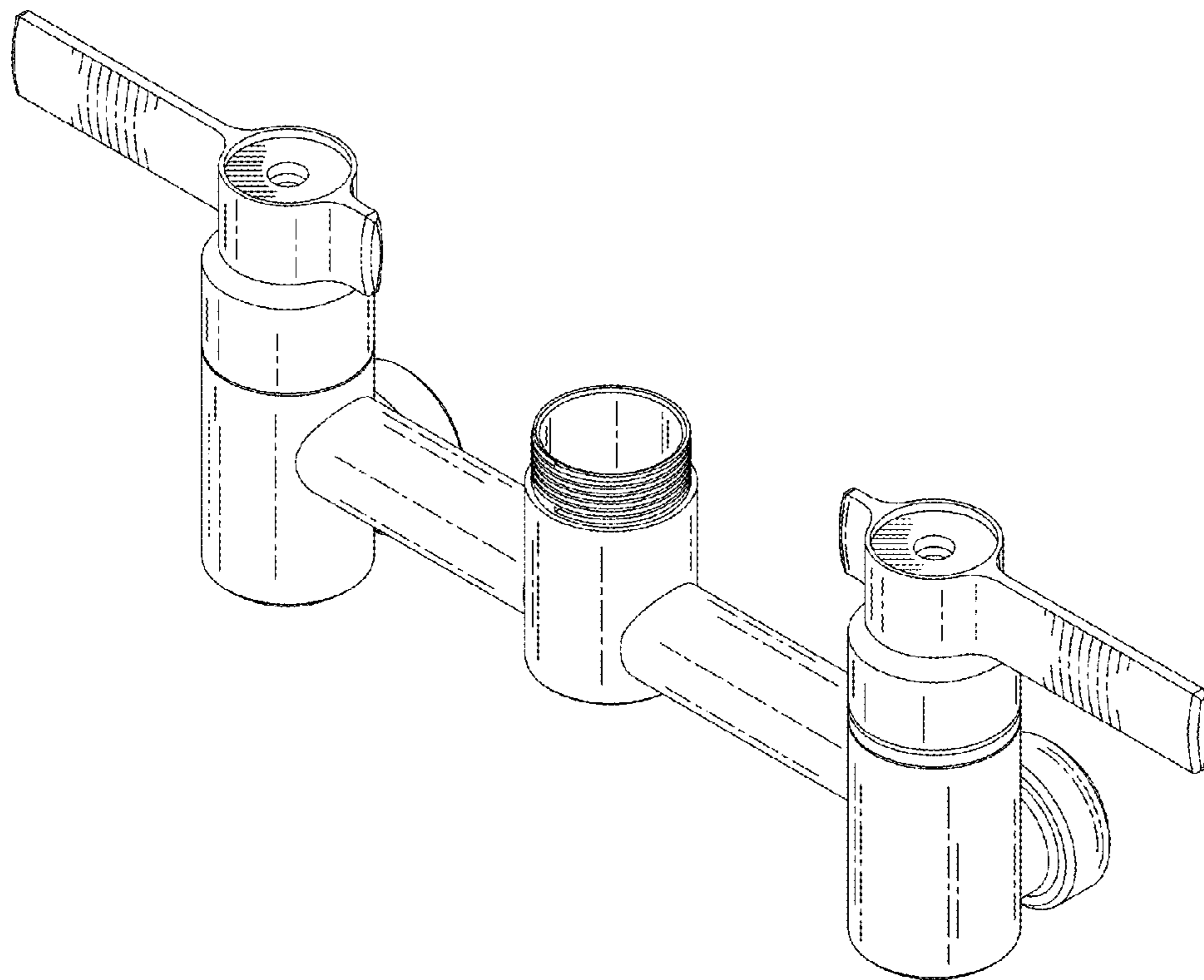


FIG. 1

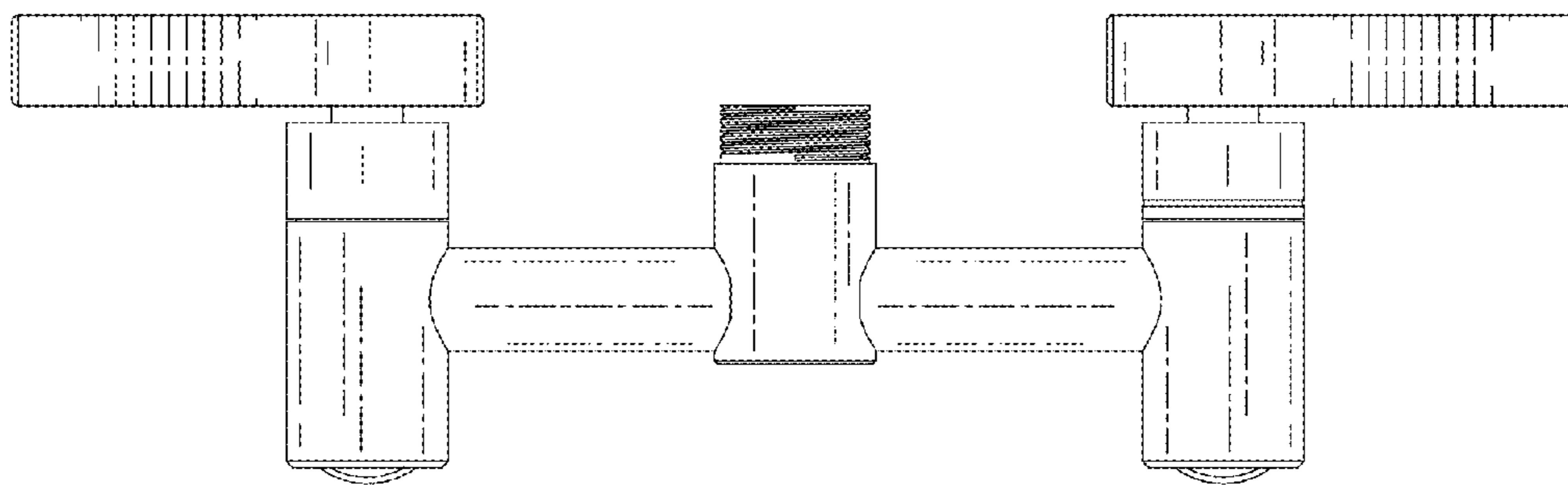


FIG. 2

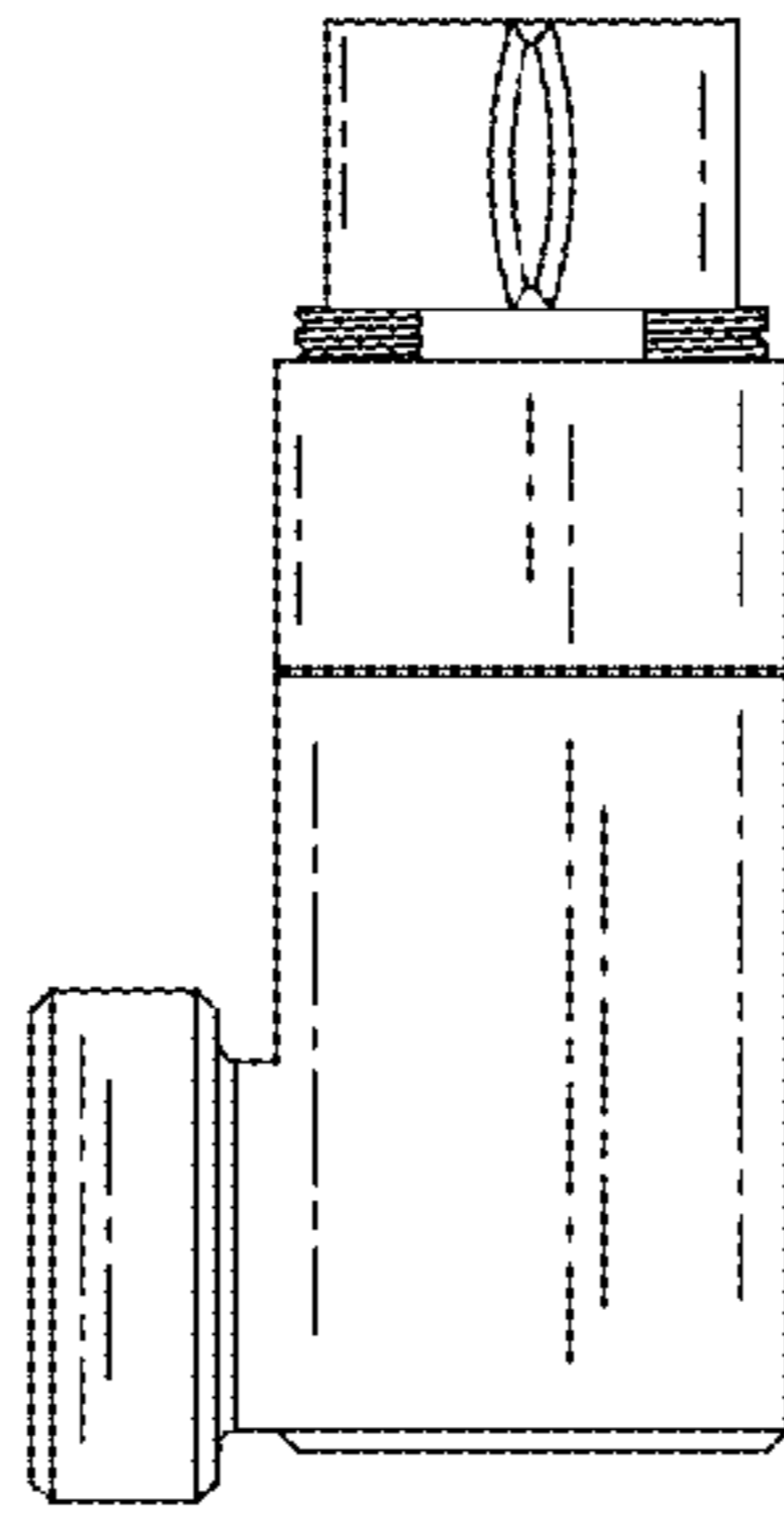


FIG. 3

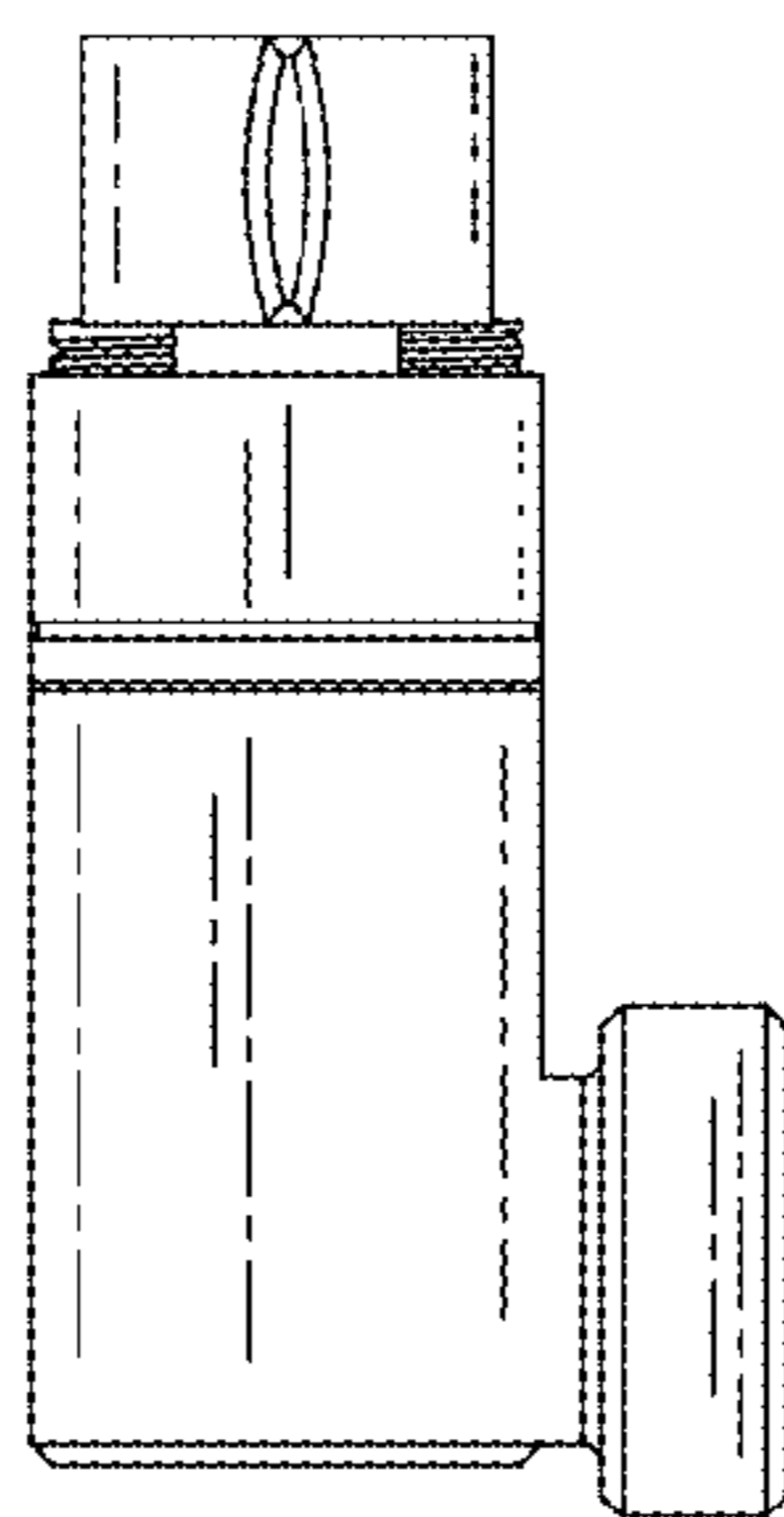


FIG. 4

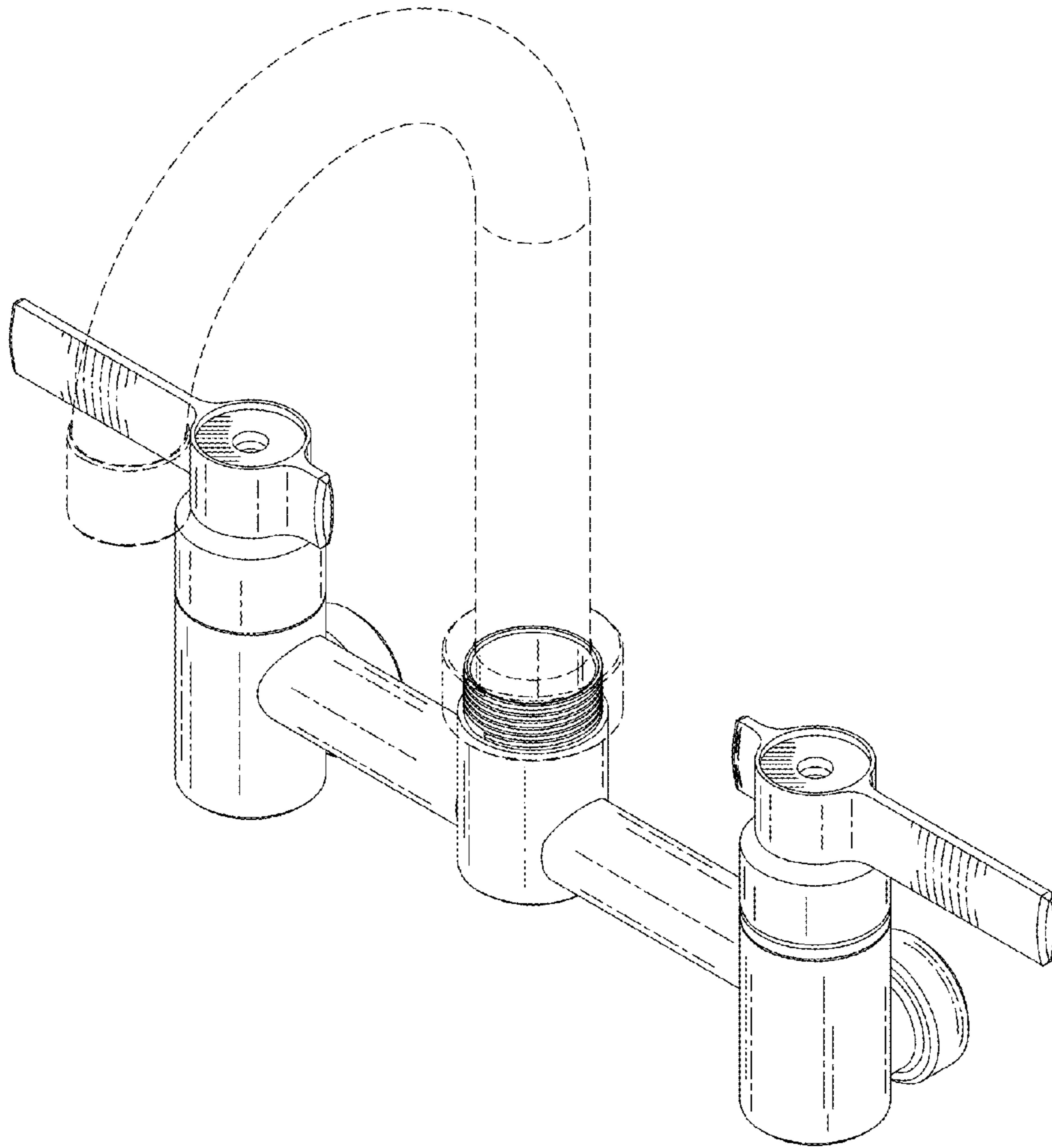


FIG. 5

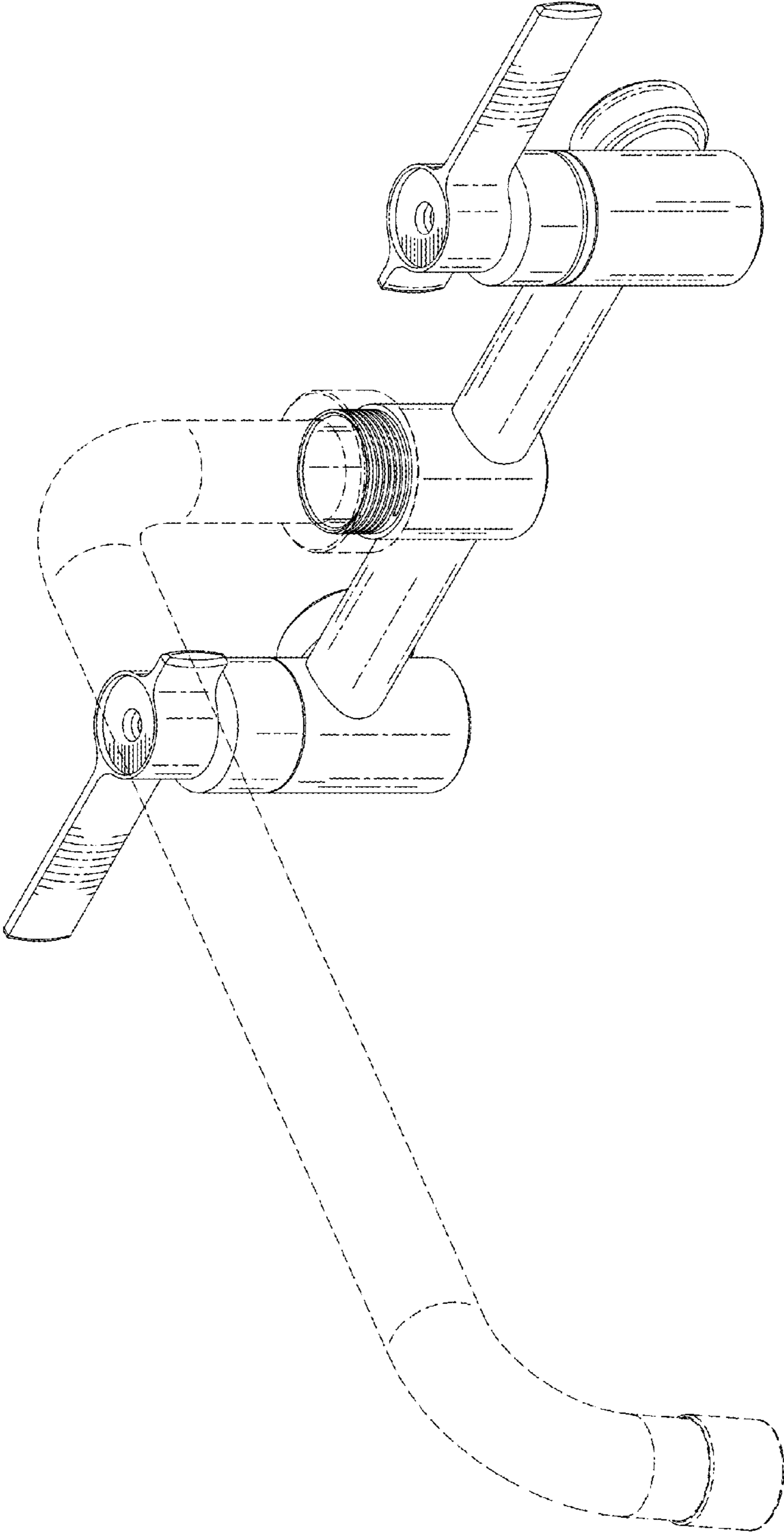


FIG. 6