



US00D714910S

(12) **United States Design Patent**
Roden

(10) **Patent No.:** **US D714,910 S**

(45) **Date of Patent:** **** Oct. 7, 2014**

(54) **VALVE ASSEMBLY**

(71) Applicant: **TYL, Inc.**, Fort Worth, TX (US)

(72) Inventor: **Tripp Roden**, Keller, TX (US)

(73) Assignee: **TYL, Inc.**, Forth Worth, TX (US)

(**) Term: **14 Years**

(21) Appl. No.: **29/467,216**

(22) Filed: **Sep. 17, 2013**

(51) **LOC (10) Cl.** **23-01**

(52) **U.S. Cl.**
USPC **D23/233**

(58) **Field of Classification Search**

CPC E03B 9/16; E03B 9/04; E03B 9/14;
E03B 9/20; F16K 27/006; F16K 15/188;
F16K 15/181

USPC D23/233-237, 244-249; 137/299, 300,
137/138, 218, 594, 318

See application file for complete search history.

(56) **References Cited**

U.S. PATENT DOCUMENTS

D522,616 S * 6/2006 Minnick et al. D23/233
D620,553 S * 7/2010 Li et al. D23/233
D635,644 S * 4/2011 Yamada D23/233
D637,270 S * 5/2011 Nicolia et al. D23/235

D667,082 S * 9/2012 Fukushima D23/235
D678,981 S * 3/2013 Shengyong D23/233
D690,800 S * 10/2013 Ren D23/233
D705,396 S * 5/2014 Roden D23/233
D705,901 S * 5/2014 Johnson D23/233

OTHER PUBLICATIONS

Valve assembly (undated photograph).

* cited by examiner

Primary Examiner — Cynthia Ramirez

(74) *Attorney, Agent, or Firm* — Sterne, Kessler, Goldstein & Fox P.L.L.C.

(57) **CLAIM**

The ornamental design for a valve assembly, as shown and described.

DESCRIPTION

FIG. 1 is a bottom front perspective view of a valve assembly showing our new design;

FIG. 2 is a front view thereof;

FIG. 3 is a left side view thereof;

FIG. 4 is a rear view thereof;

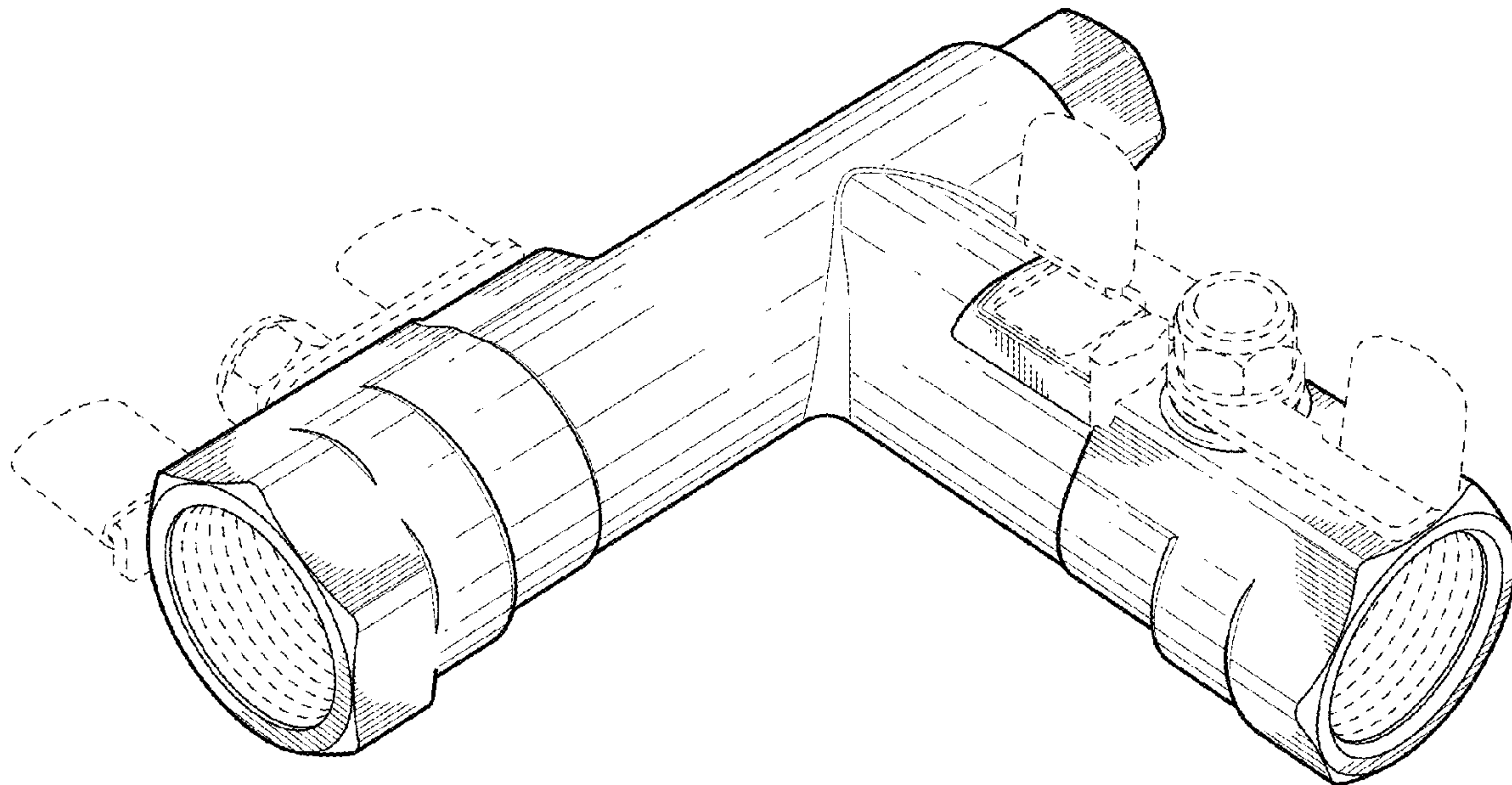
FIG. 5 is a right side view thereof;

FIG. 6 is a top view thereof; and,

FIG. 7 is a bottom view thereof.

The broken lines in the Figures show portions of the valve assembly that form no part of the claimed design.

1 Claim, 6 Drawing Sheets



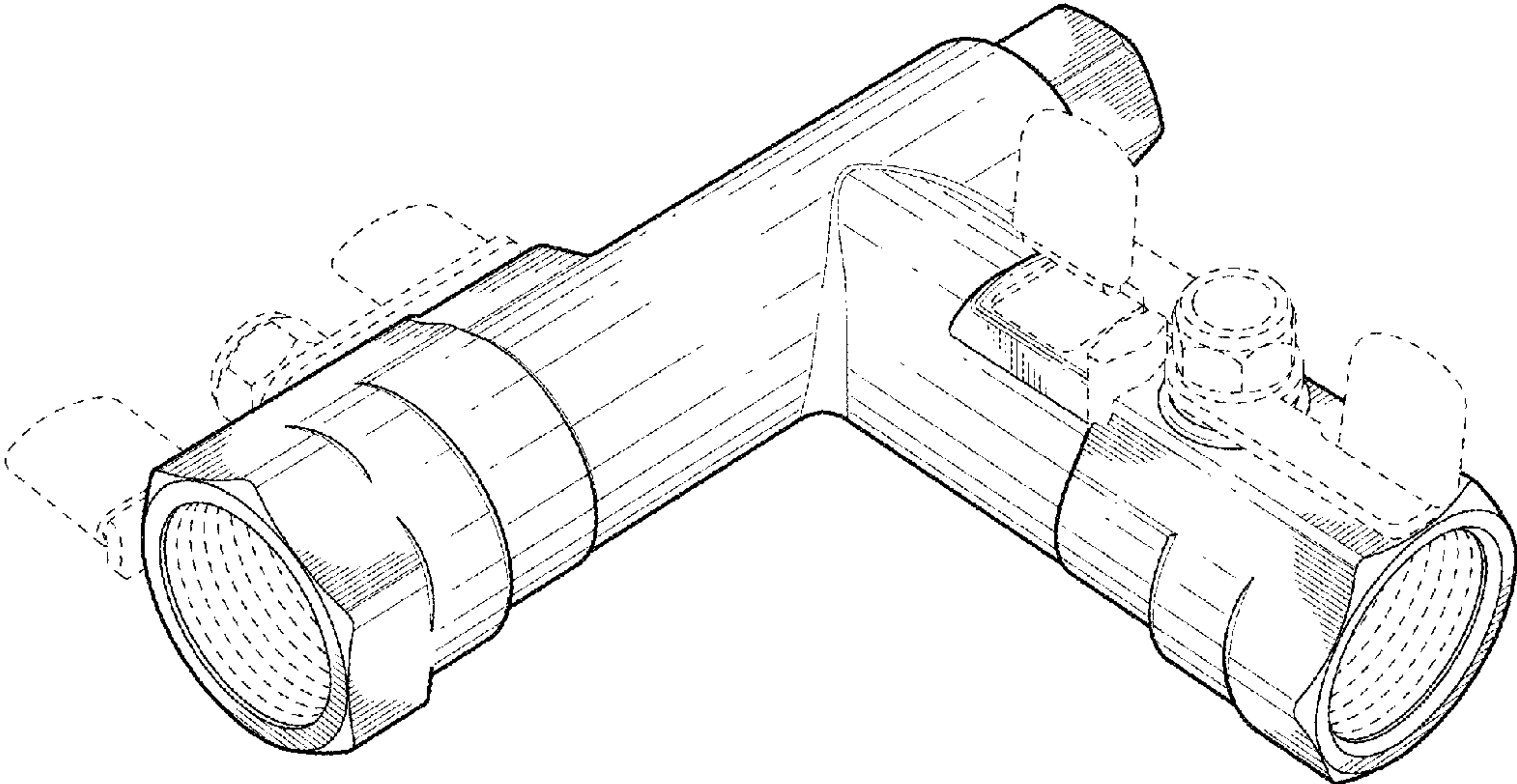


FIG. 1

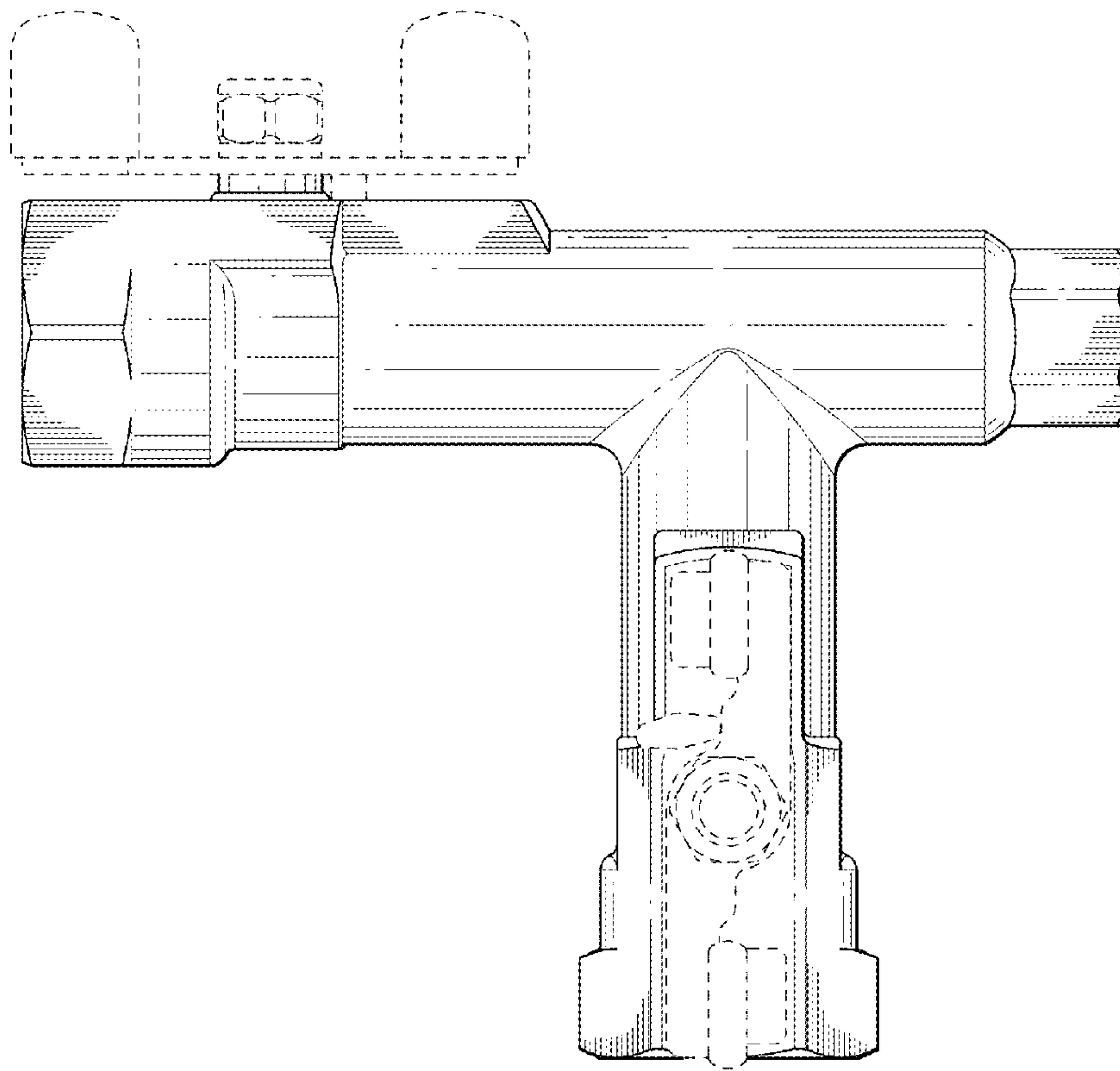


FIG. 2

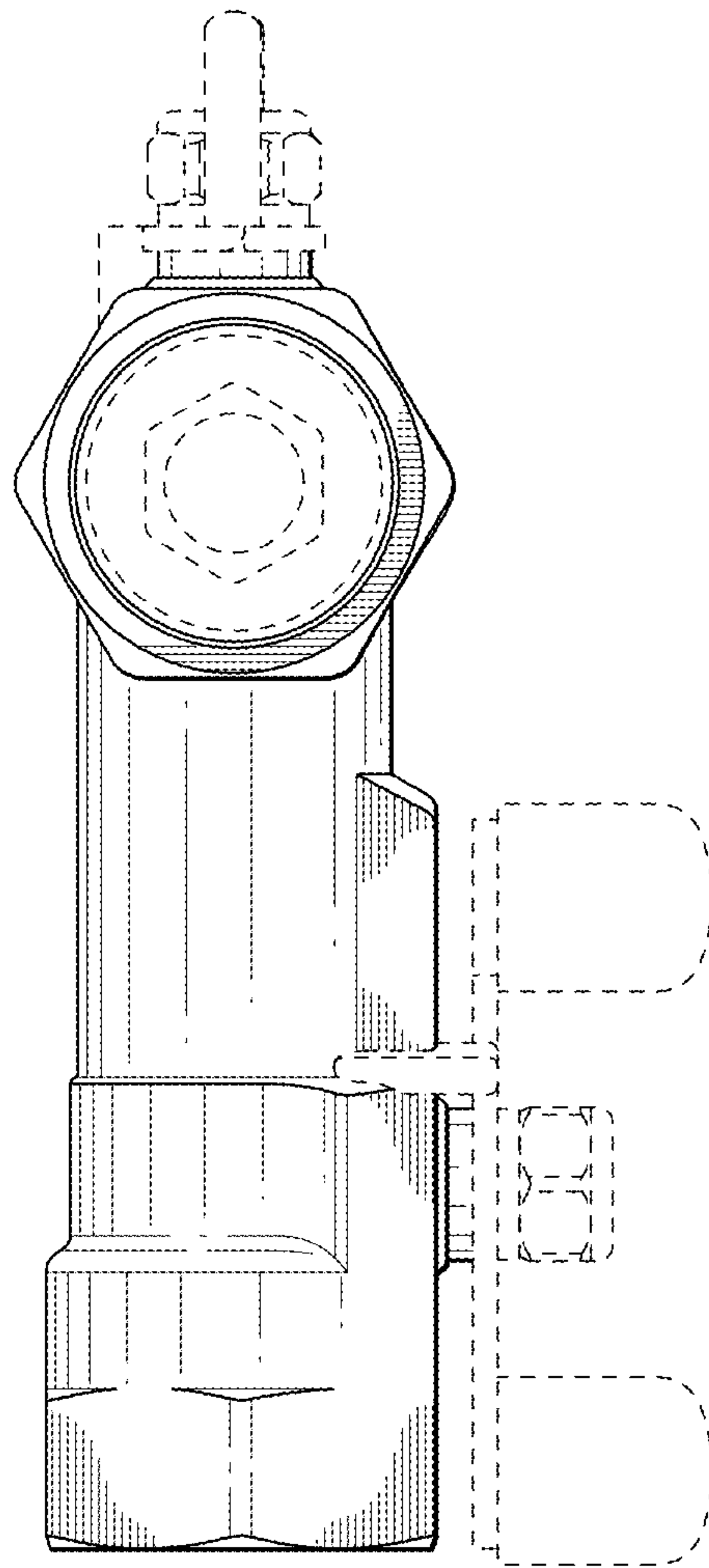


FIG. 3

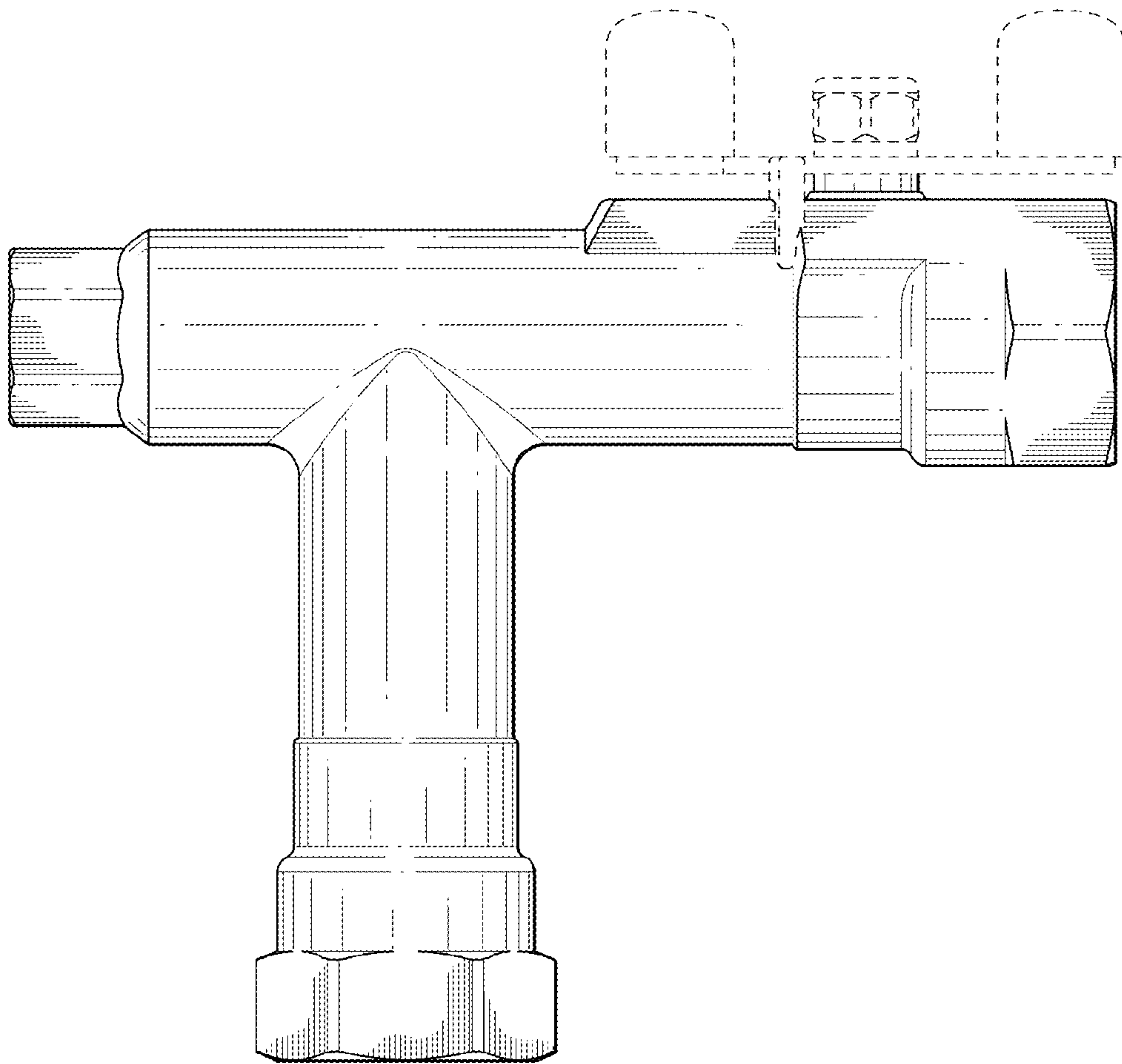


FIG. 4

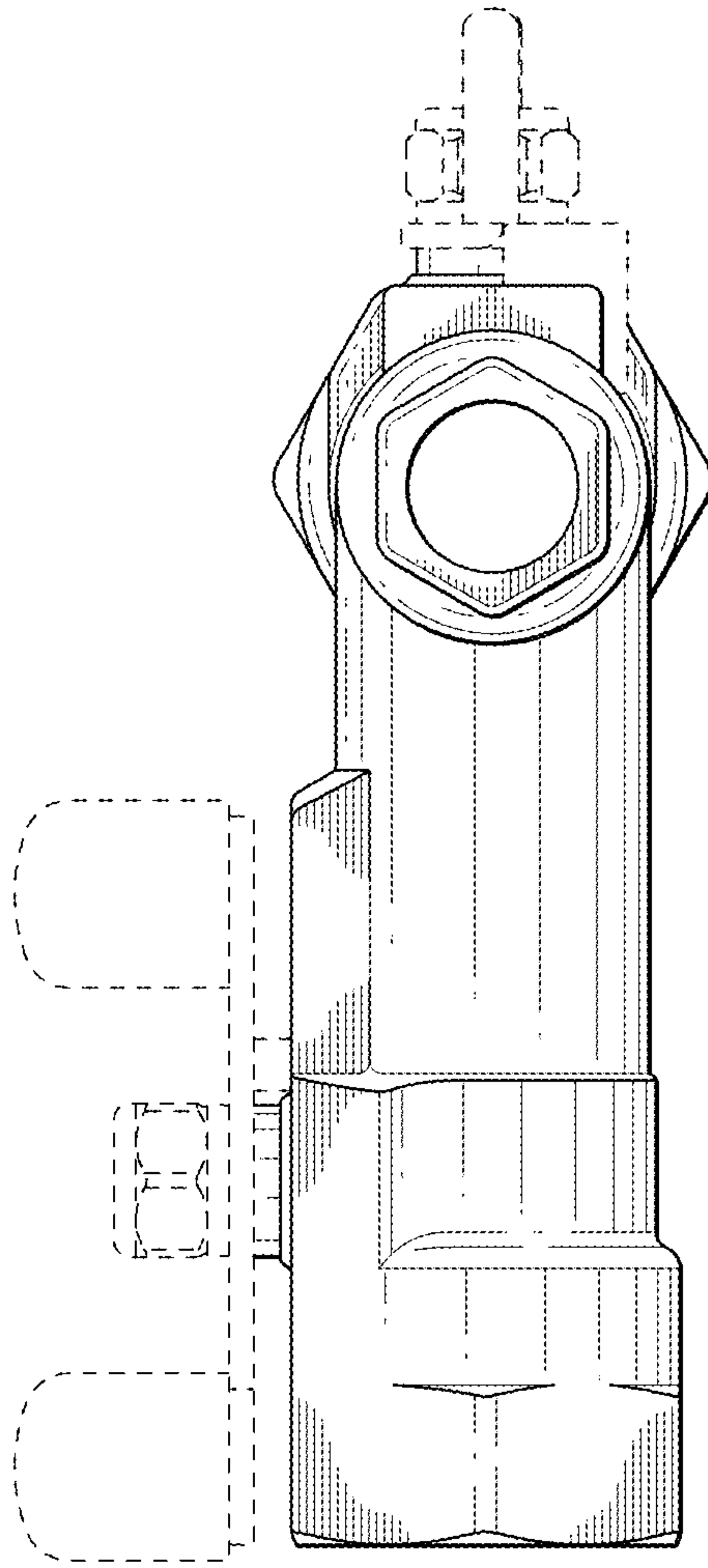


FIG. 5

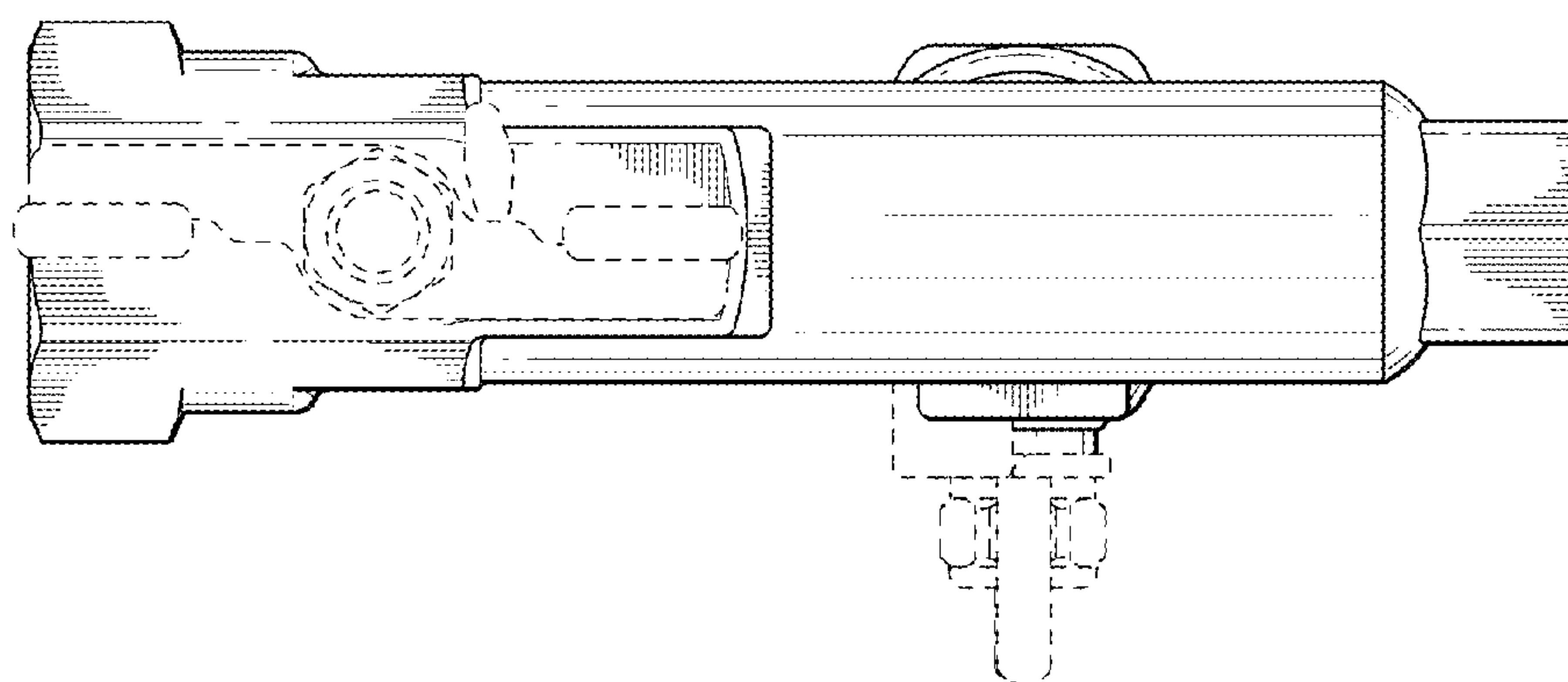


FIG. 6

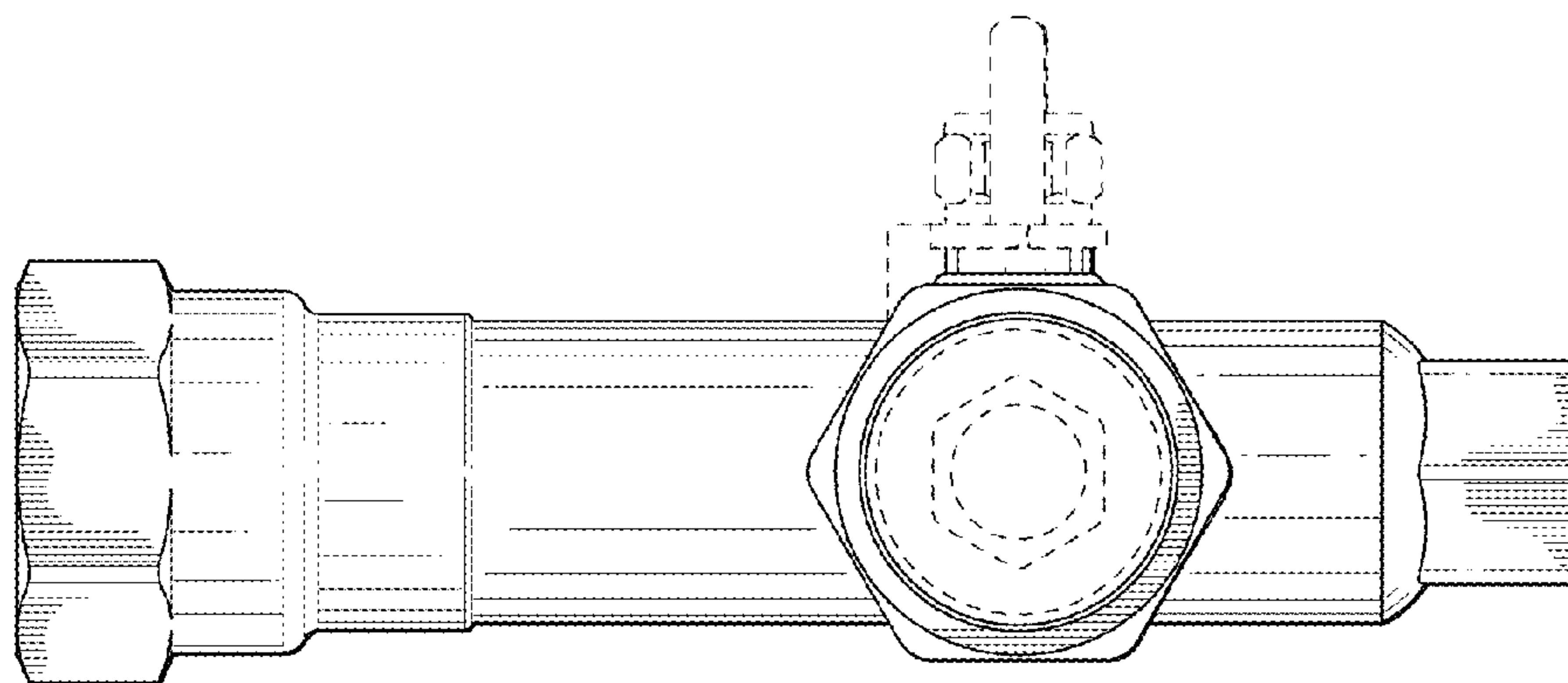


FIG. 7