



US00D714909S

(12) **United States Design Patent**
Boothe

(10) **Patent No.:** **US D714,909 S**
(45) **Date of Patent:** **** Oct. 7, 2014**

- (54) **STABILIZED CONNECTOR WITH INTEGRATED BLOCK VALVE**
- (71) Applicant: **PGI International, Ltd.**, Houston, TX (US)
- (72) Inventor: **Brian J. Boothe**, Richmond, TX (US)
- (73) Assignee: **PGI International, Ltd.**, Houston, TX (US)
- (**) Term: **14 Years**
- (21) Appl. No.: **29/438,965**
- (22) Filed: **Dec. 5, 2012**
- (51) **LOC (10) Cl.** **23-01**
- (52) **U.S. Cl.**
USPC **D23/233**
- (58) **Field of Classification Search**
CPC F16L 15/00; F16L 41/10; F16L 41/08;
G01L 19/0007; G01L 19/0015; F16K 27/006;
F16K 15/188; B21C 37/29
USPC D23/233-237, 244-249, 254, 213, 258;
137/884, 317, 318, 299, 300, 138, 218,
137/594; 285/219, 114, 116, 363, 143.1;
73/861.27; 222/319, 519
See application file for complete search history.

6,871,881	B1	3/2005	Hutton	
D530,789	S *	10/2006	Holmes	D23/249
D548,818	S *	8/2007	Feng et al.	D23/233
7,458,614	B2	12/2008	Hutton	
D588,232	S *	3/2009	Giacomini	D23/233
D601,661	S *	10/2009	Foster	D23/233
D615,617	S	5/2010	Hutton	
7,938,453	B2	5/2011	George	
D646,753	S *	10/2011	Juul et al.	D23/233
D690,390	S *	9/2013	Garm et al.	D23/233
D697,587	S *	1/2014	Nissen et al.	D23/233
D699,815	S *	2/2014	Petersen	D23/233
2011/0114865	A1 *	5/2011	Wu	251/321

* cited by examiner

Primary Examiner — Cynthia Ramirez

(74) *Attorney, Agent, or Firm* — Renner, Otto, Boisselle & Sklar, LLP

(57) **CLAIM**

The ornamental design for a stabilized connector with integrated block valve, as shown and described.

DESCRIPTION

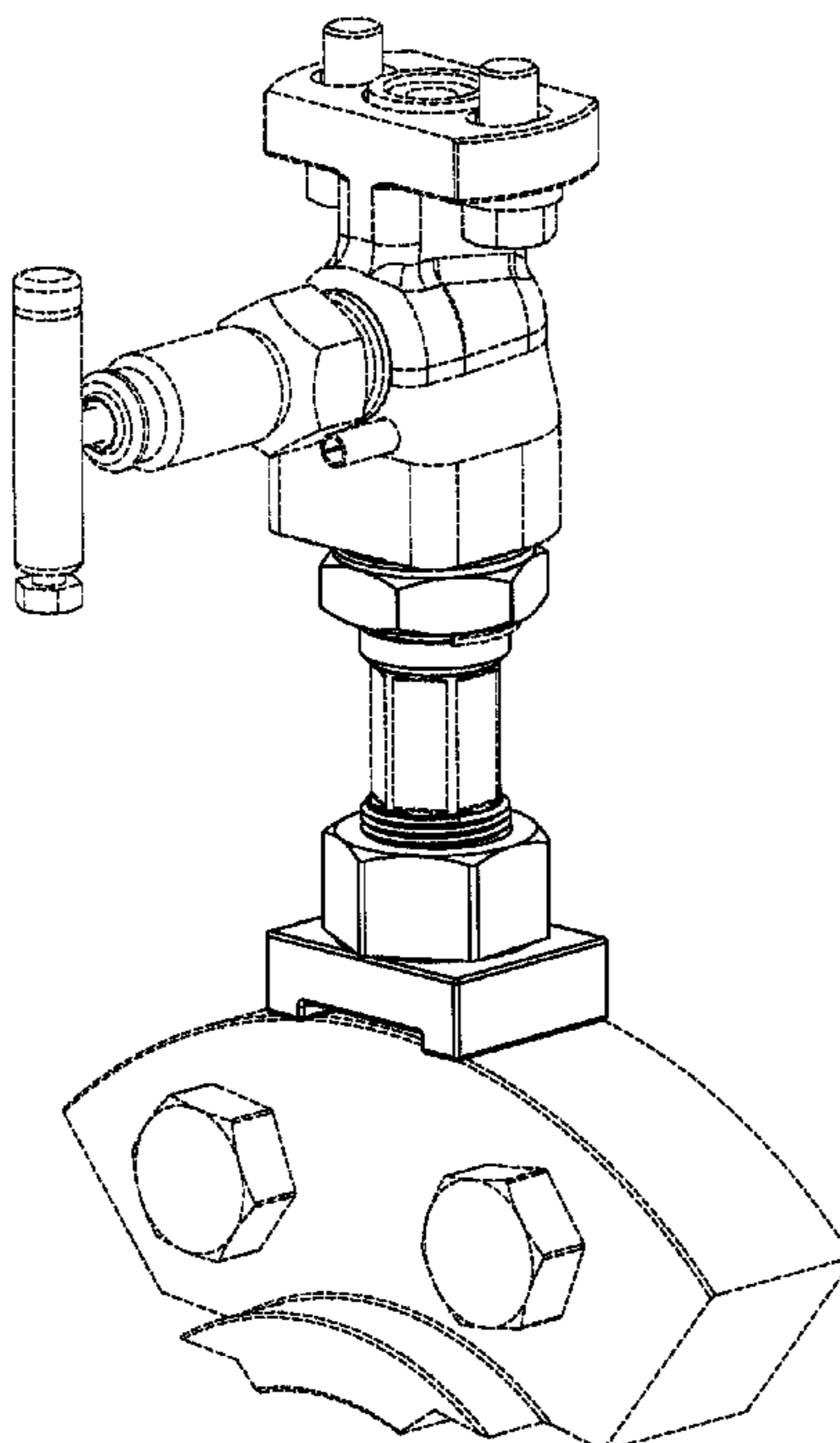
FIG. 1 is a front view of a stabilizer connector according to my invention;
 FIG. 2 is a rear view thereof;
 FIG. 3 is a bottom view thereof;
 FIG. 4 is a top view thereof;
 FIG. 5 is a left side view thereof;
 FIG. 6 is a right side view thereof; and,
 FIG. 7 is a perspective view thereof.
 The broken line showings in the figures is included for the purpose of illustrating portions of the stabilized connector and forms no part of the claimed design.

(56) **References Cited**

U.S. PATENT DOCUMENTS

RE27,431	E *	7/1972	Nielsen, Jr.	137/318
4,920,626	A	5/1990	Nimberger	
D395,485	S *	6/1998	Deaso, Sr.	D23/245
6,609,730	B1	8/2003	Hutton	

1 Claim, 7 Drawing Sheets



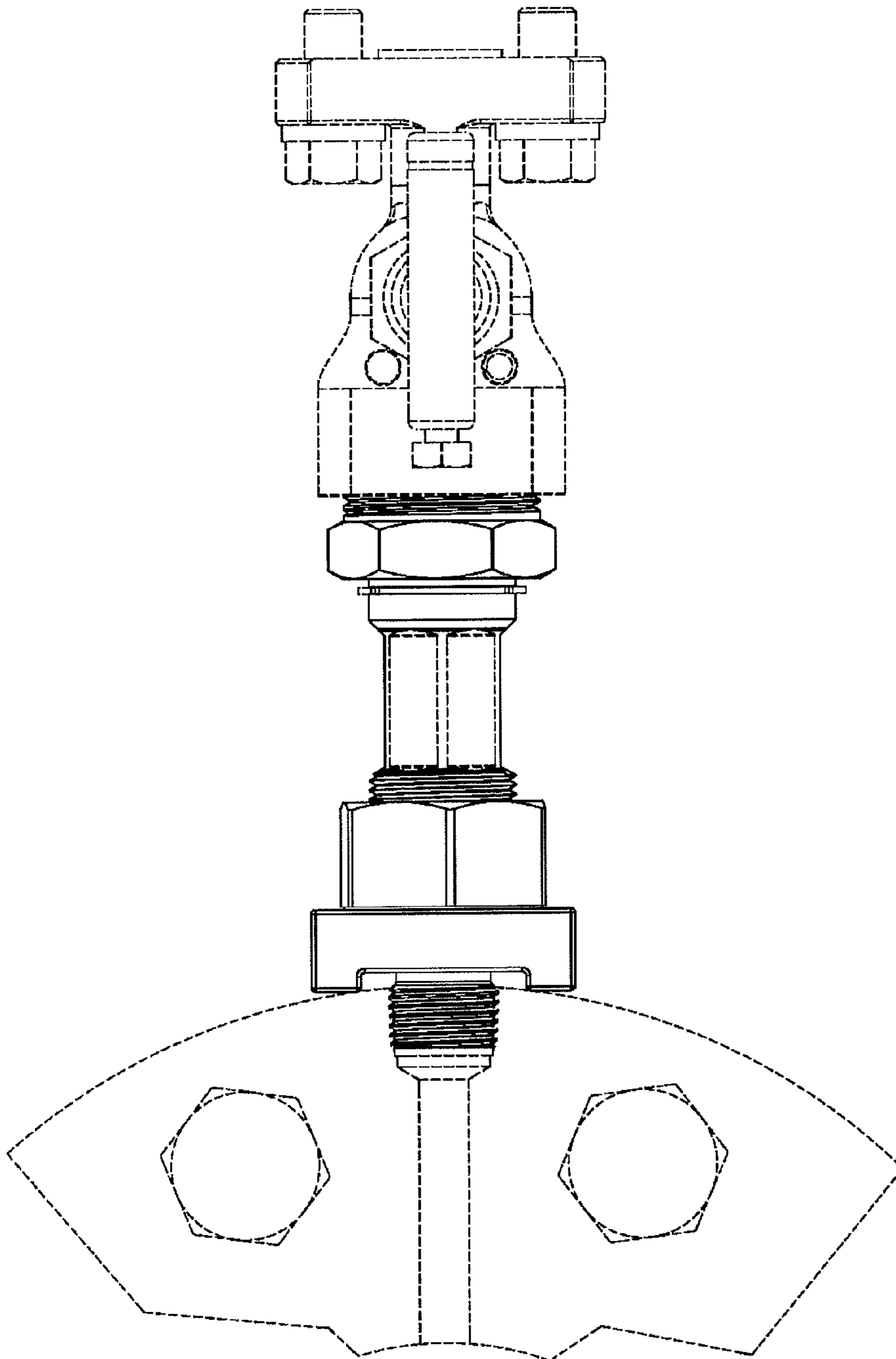


FIG. 1

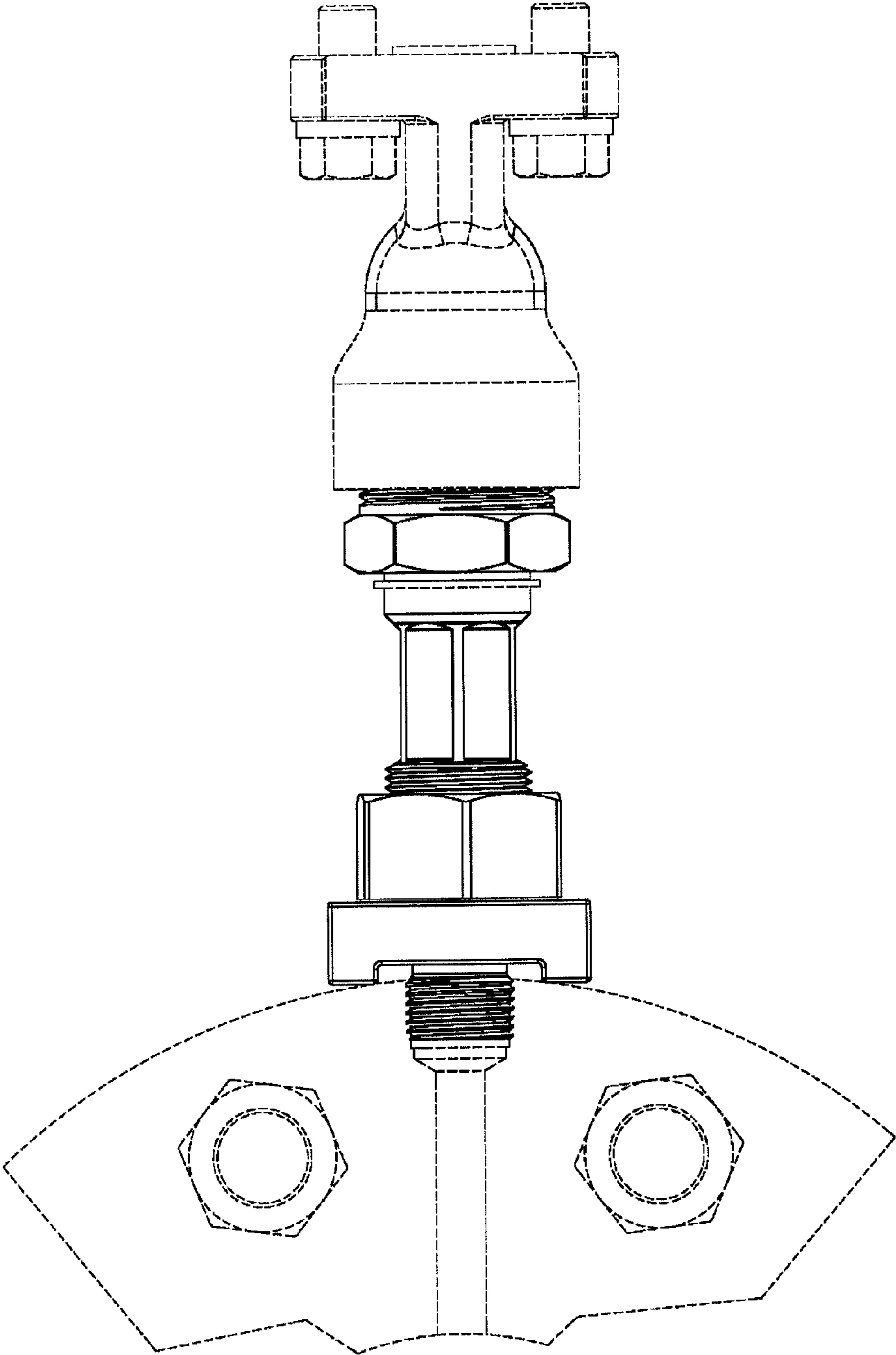


FIG. 2

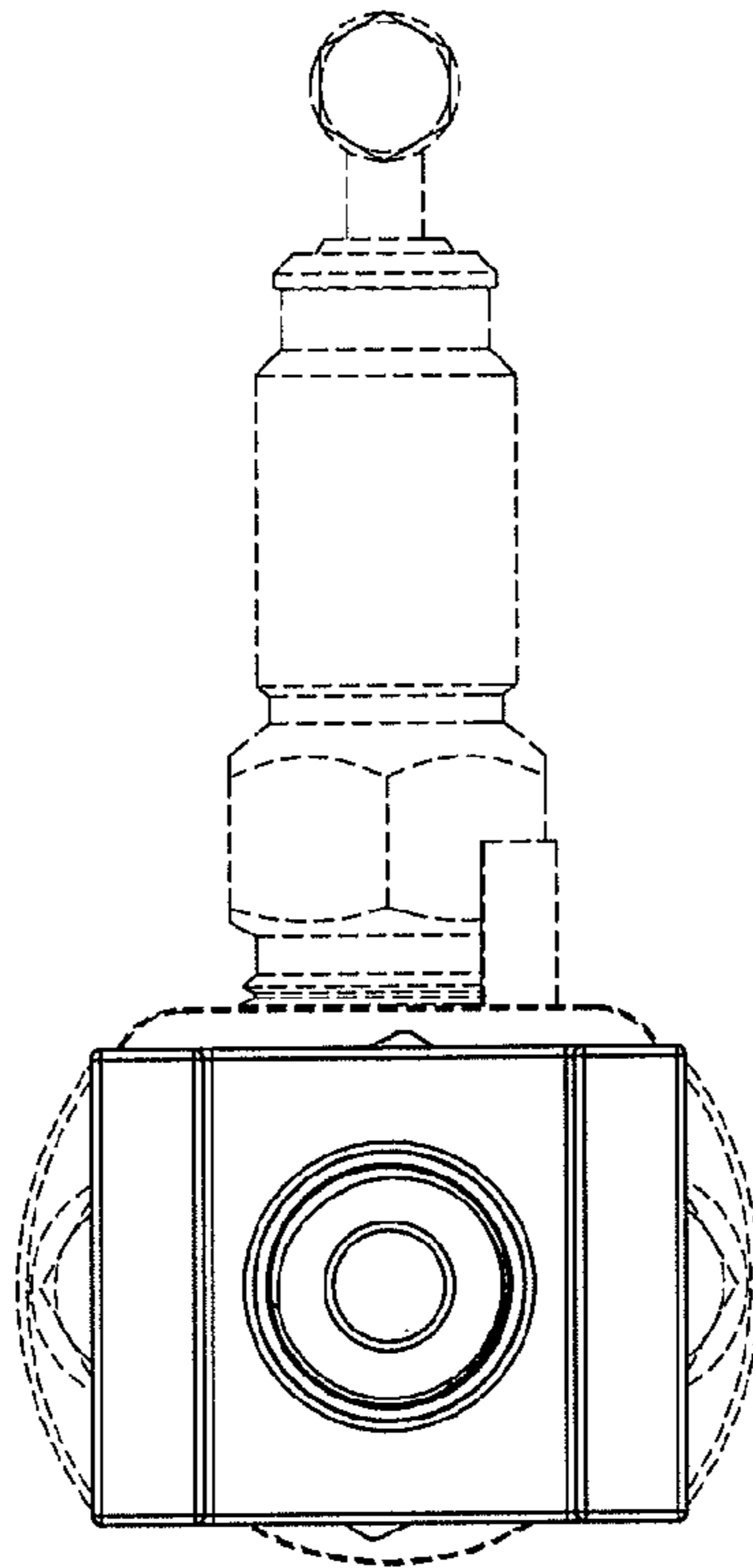


FIG. 3

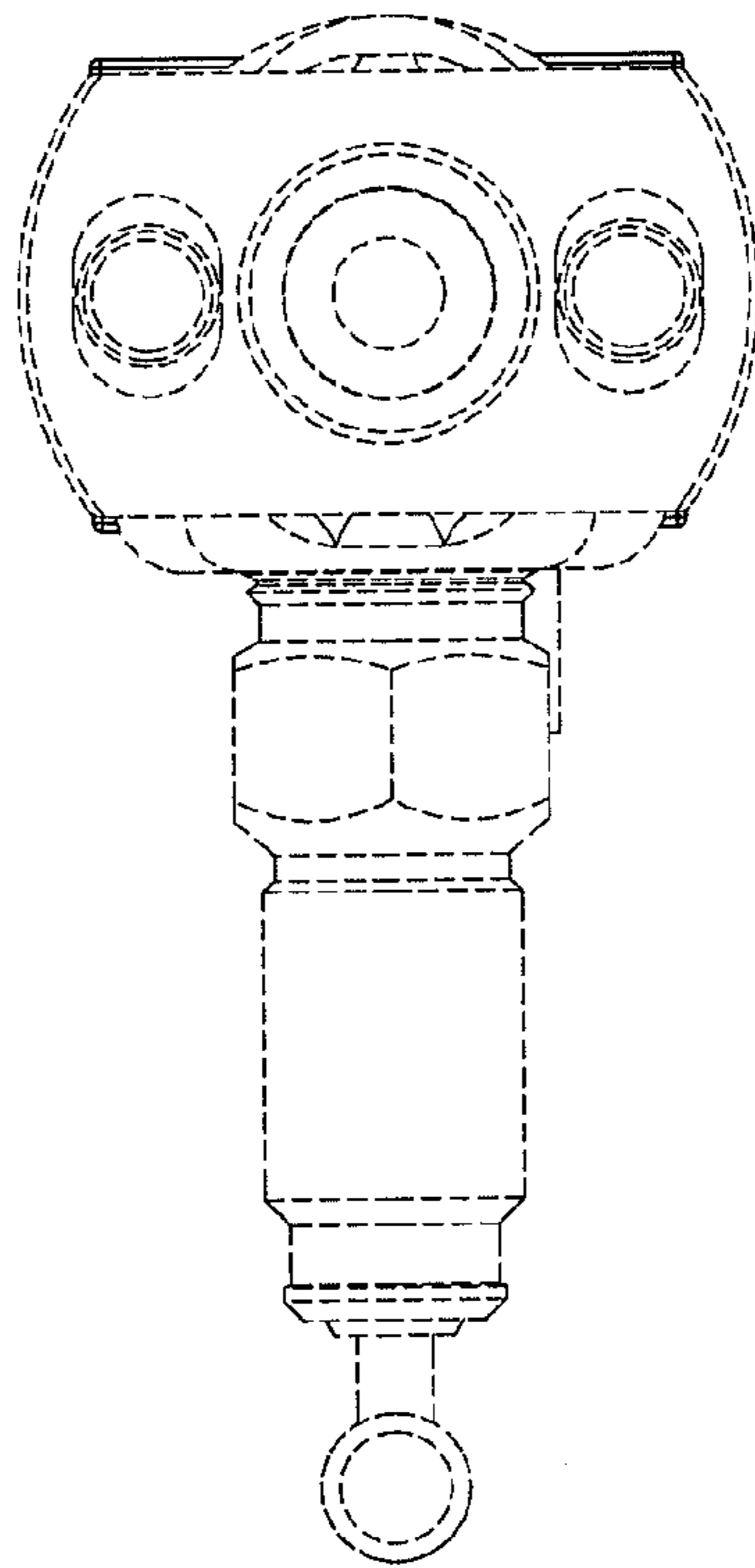


FIG. 4

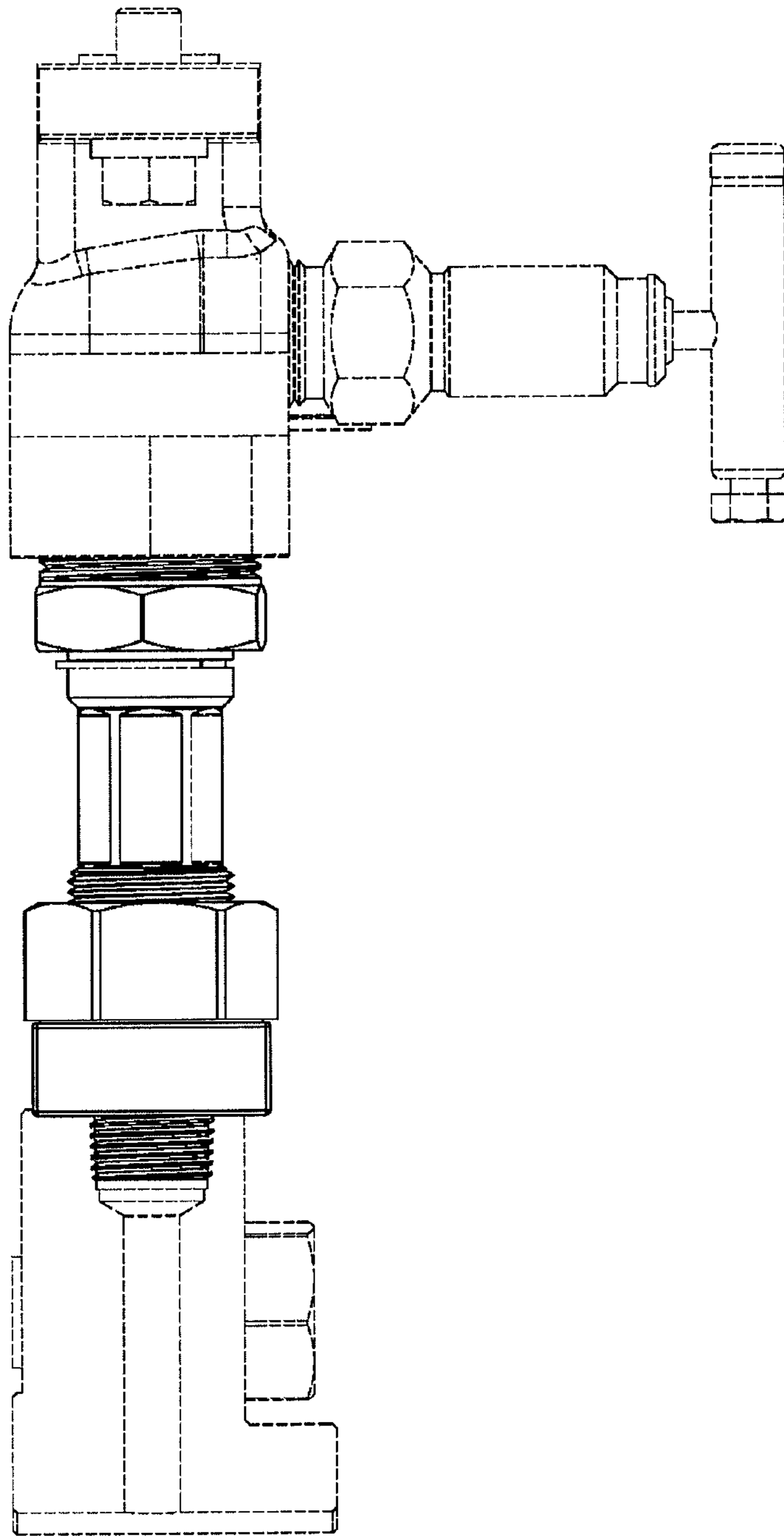


FIG. 5

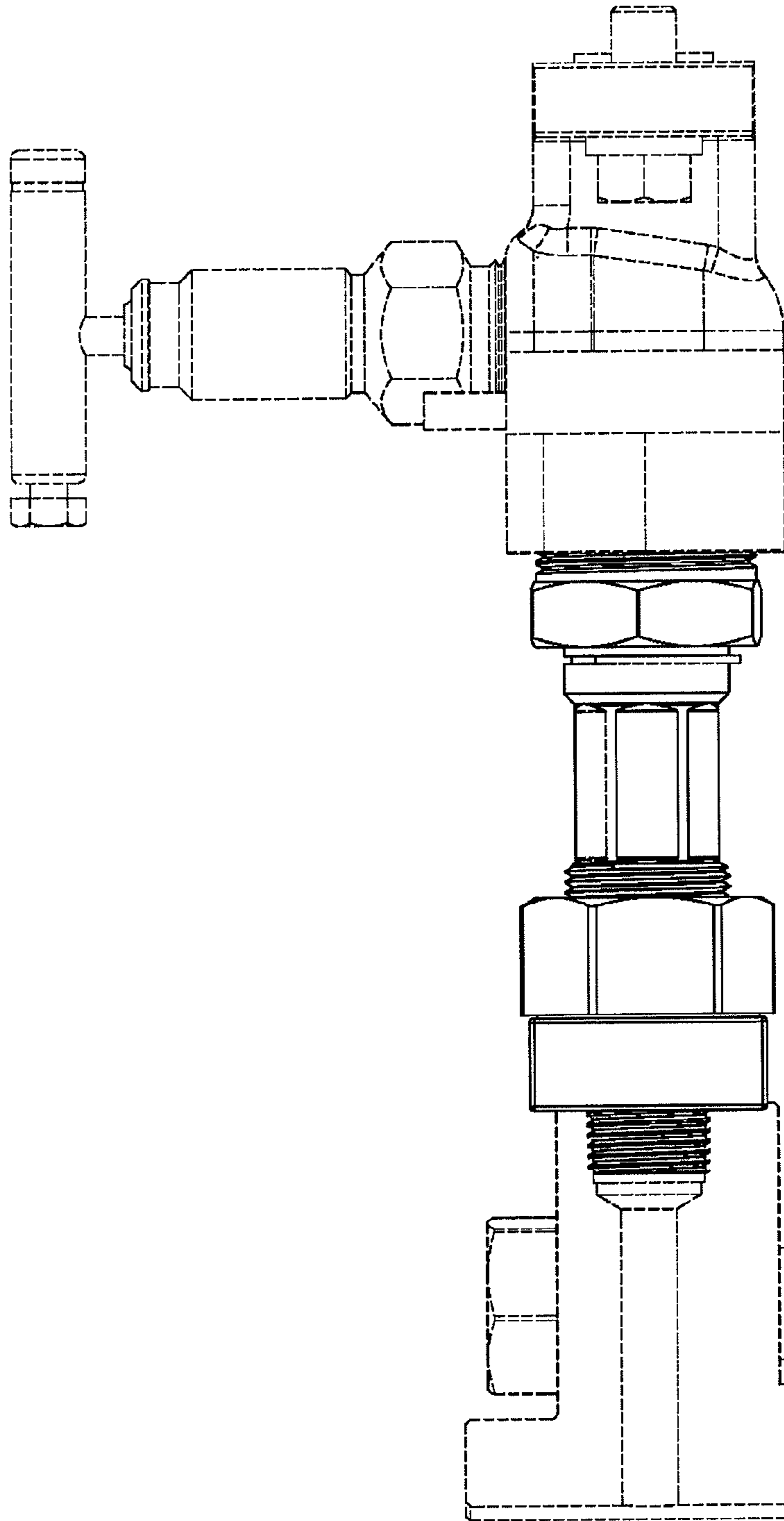


FIG. 6

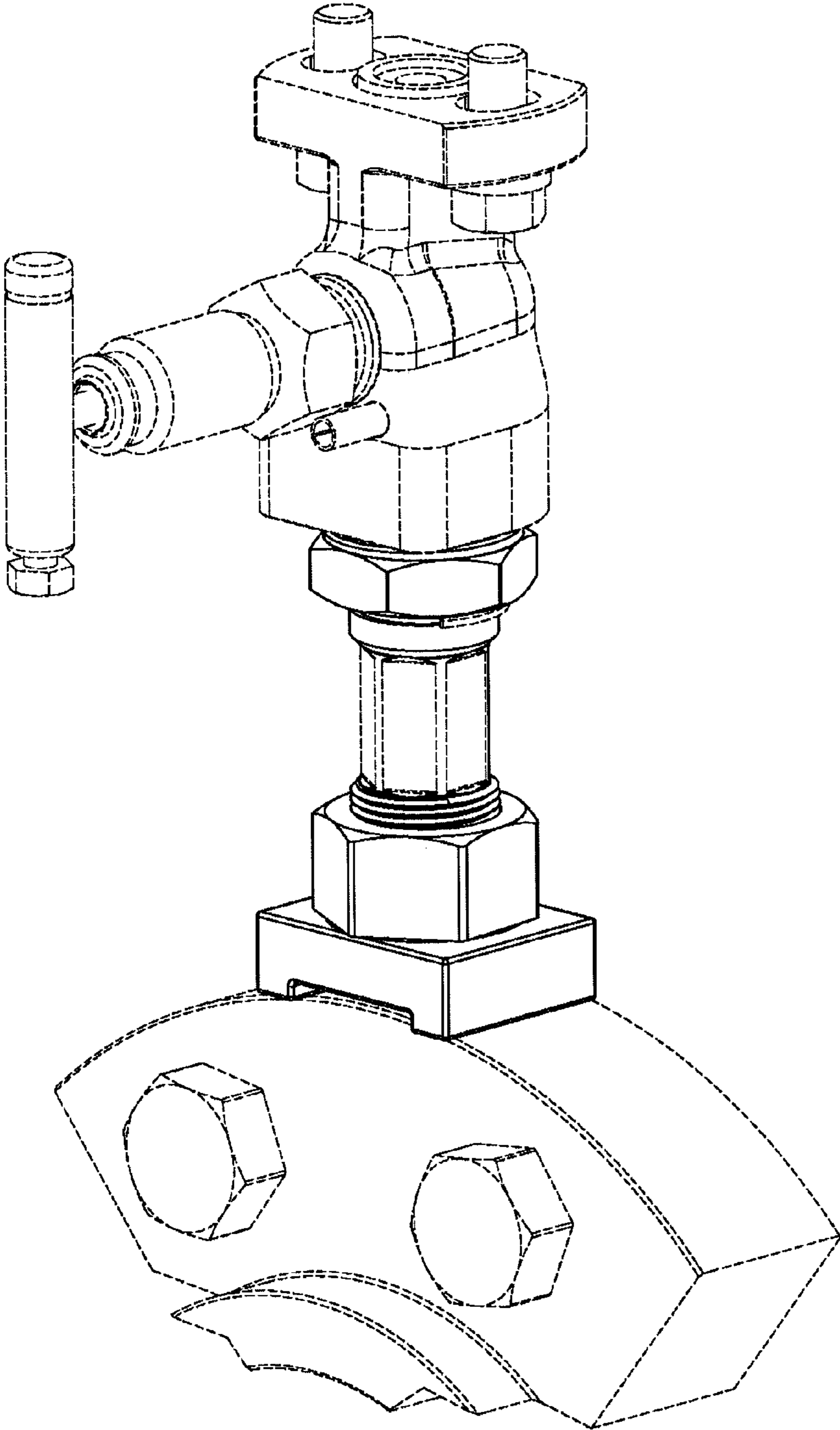


FIG. 7