



US00D714906S

(12) **United States Design Patent**  
**Williams et al.**

(10) **Patent No.:** **US D714,906 S**

(45) **Date of Patent:** **\*\* \*Oct. 7, 2014**

(54) **FLUID APPLICATOR**

(71) Applicants: **Craig A. Williams**, Maumee, OH (US);  
**Bradley Alan Spraw**, Maumee, OH (US)

(72) Inventors: **Craig A. Williams**, Maumee, OH (US);  
**Bradley Alan Spraw**, Maumee, OH (US)

(73) Assignee: **Designetics, Inc.**, Holland, OH (US)

(\*) Notice: This patent is subject to a terminal disclaimer.

(\*\*) Term: **14 Years**

(21) Appl. No.: **29/447,981**

(22) Filed: **Mar. 8, 2013**

**Related U.S. Application Data**

(63) Continuation-in-part of application No. 13/663,113, filed on Oct. 29, 2012.

(51) **LOC (10) Cl.** ..... **23-01**

(52) **U.S. Cl.**  
USPC ..... **D23/213**

(58) **Field of Classification Search**  
USPC ..... D23/213; D9/723, 724; 239/589, 597,  
239/601; 401/55, 266, 205, 206; 118/264;  
427/429

See application file for complete search history.

(56) **References Cited**

U.S. PATENT DOCUMENTS

D93,865	S	*	11/1934	Czarnecki	.....	D23/213
4,544,099	A	*	10/1985	Norris	.....	239/271
D565,697	S	*	4/2008	Thiel et al.	.....	D23/213
D568,439	S	*	5/2008	Fulkerson et al.	.....	D23/213
7,824,124	B2	*	11/2010	Francavilla et al.	.....	401/278
D639,903	S	*	6/2011	Plotzitzka et al.	.....	D23/213
D669,961	S	*	10/2012	Sanwald	.....	D23/213
D670,356	S	*	11/2012	Sanwald	.....	D23/213

\* cited by examiner

*Primary Examiner* — Robin V Webster

(74) *Attorney, Agent, or Firm* — Donald K. Wedding

(57) **CLAIM**

The ornamental design for a fluid applicator, as shown and described.

**DESCRIPTION**

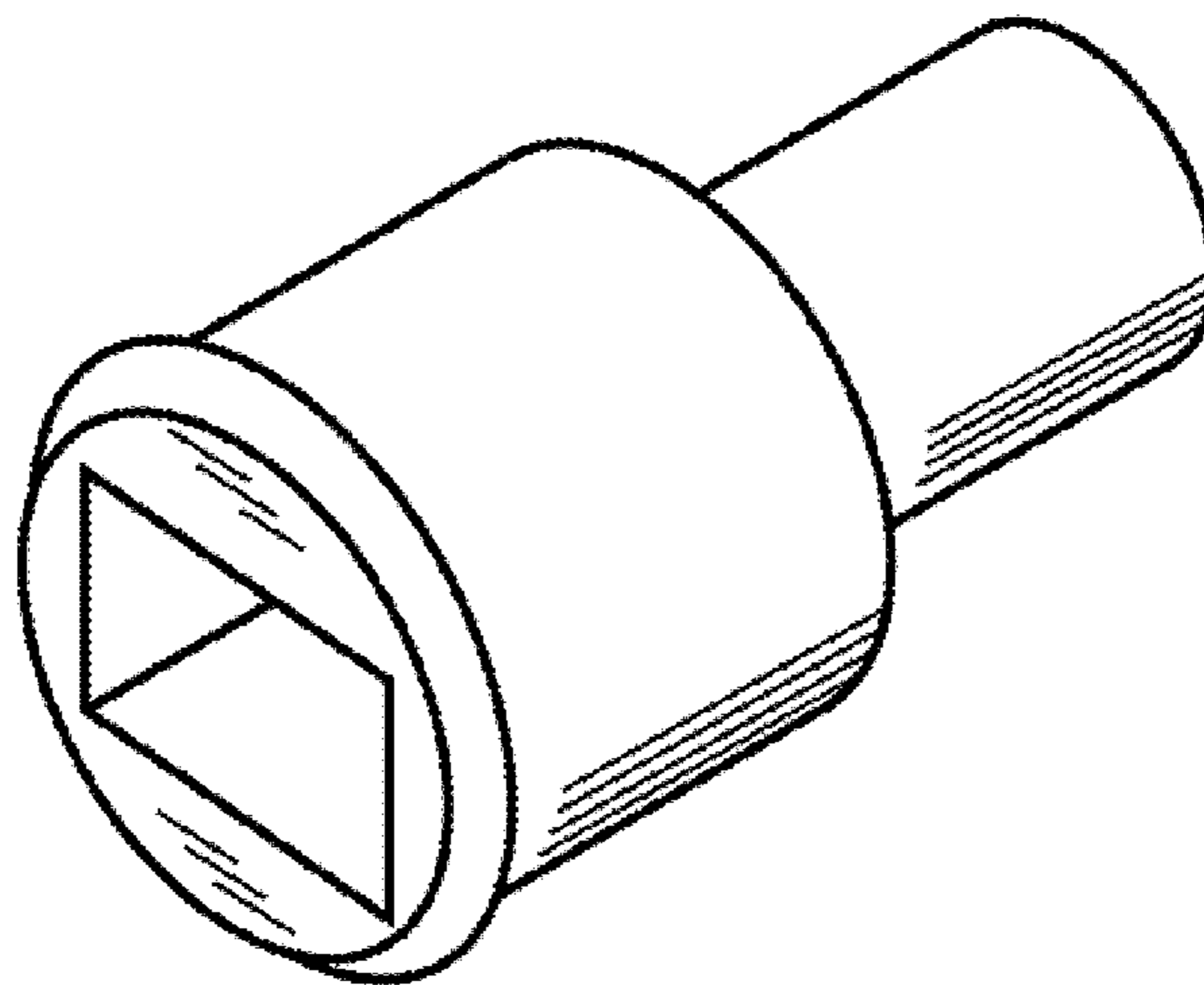
FIG. 1 is a perspective view of our ornamental design for a fluid applicator.

FIG. 2 is a top view of our design shown in FIG. 1.

FIG. 3 is a right plan view of our design shown in FIG. 1, all plan views including the left plan view being identical to the right plan view; and,

FIG. 4 is a bottom view of our design shown in FIG. 1.

**1 Claim, 1 Drawing Sheet**



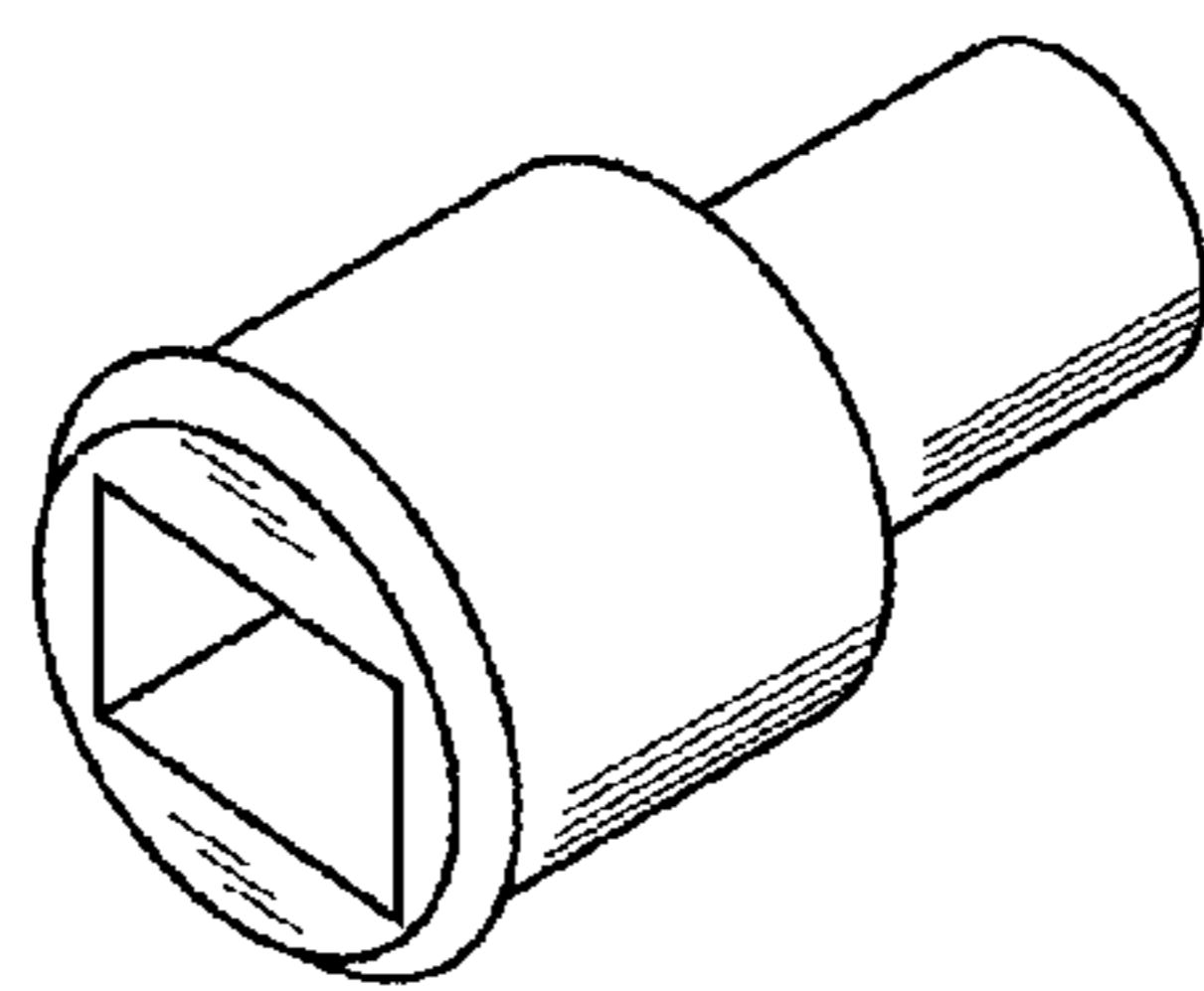


FIG. 1

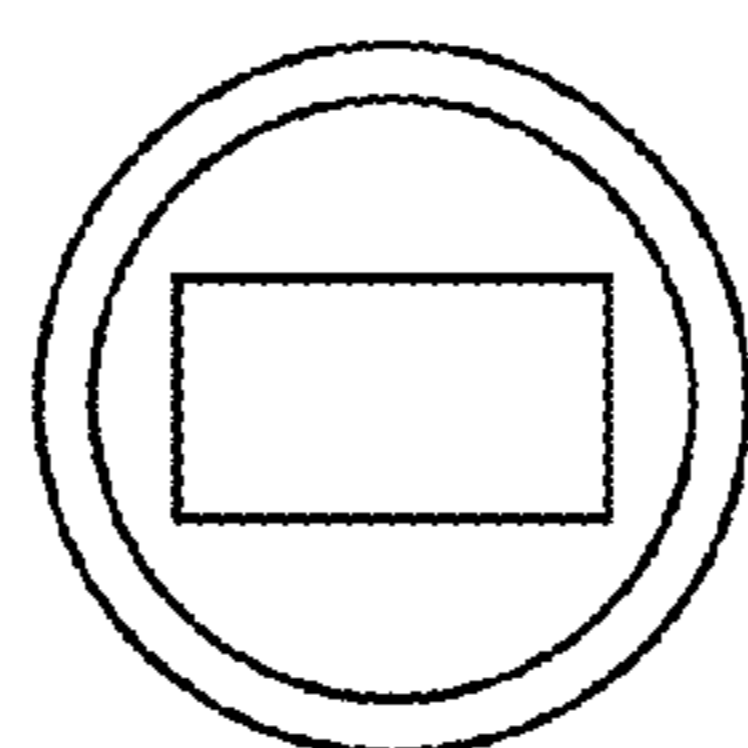


FIG. 2

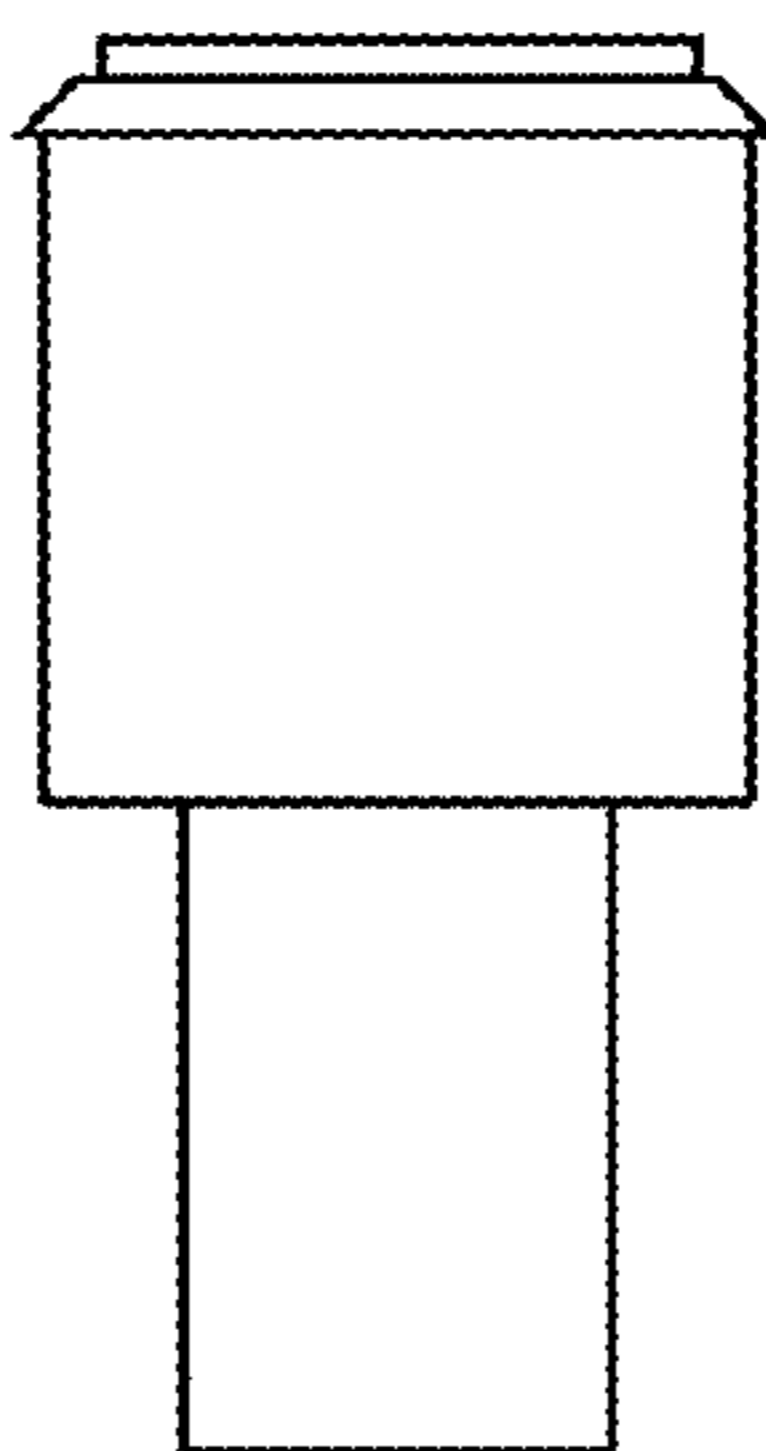


FIG. 3

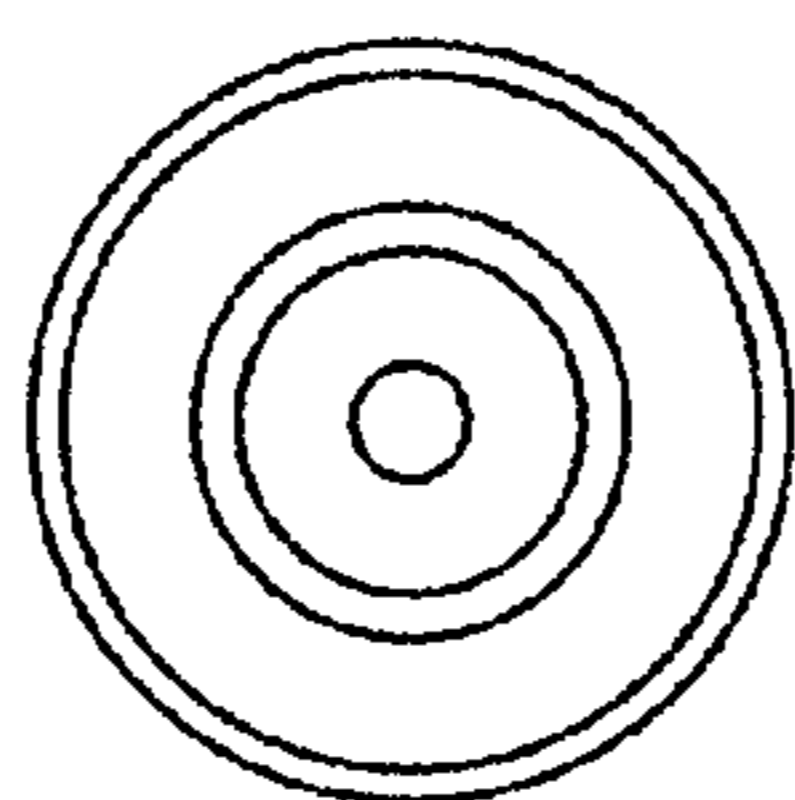


FIG. 4