



US00D714904S

(12) **United States Design Patent**
Williams et al.

(10) **Patent No.:** **US D714,904 S**
(45) **Date of Patent:** **** Oct. 7, 2014**

(54) **FLUID APPLICATOR**

(71) Applicants: **Craig A. Williams**, Maumee, OH (US);
Bradley Alan Spraw, Maumee, OH (US)

(72) Inventors: **Craig A. Williams**, Maumee, OH (US);
Bradley Alan Spraw, Maumee, OH (US)

(73) Assignee: **Designetics, Inc.**, Holland, OH (US)

(**) Term: **14 Years**

(21) Appl. No.: **29/444,102**

(22) Filed: **Jan. 25, 2013**

Related U.S. Application Data

(63) Continuation-in-part of application No. 13/663,113, filed on Oct. 29, 2012.

(51) **LOC (10) Cl.** **23-01**

(52) **U.S. Cl.**
USPC **D23/213**

(58) **Field of Classification Search**
USPC D23/213; D9/723, 724; 239/589, 597,
239/601; 401/55, 266, 205, 206; 118/264;
427/429

See application file for complete search history.

(56) **References Cited**

U.S. PATENT DOCUMENTS

| | | | | | | |
|-----------|----|---|---------|--------------------|-------|---------|
| D93,865 | S | * | 11/1934 | Czarnecki | | D23/213 |
| 4,544,099 | A | * | 10/1985 | Norris | | 239/271 |
| D565,697 | S | * | 4/2008 | Thiel et al. | | D23/213 |
| D568,439 | S | * | 5/2008 | Fulkerson et al. | | D23/213 |
| 7,824,124 | B2 | * | 11/2010 | Francavilla et al. | | 401/278 |
| D639,903 | S | * | 6/2011 | Plotzitzka et al. | | D23/213 |
| D669,961 | S | * | 10/2012 | Sanwald | | D23/213 |
| D670,356 | S | * | 11/2012 | Sanwald | | D23/213 |

* cited by examiner

Primary Examiner — Robin V Webster

(74) *Attorney, Agent, or Firm* — Donald K. Wedding

(57) **CLAIM**

The ornamental design for a fluid applicator, as shown and described.

DESCRIPTION

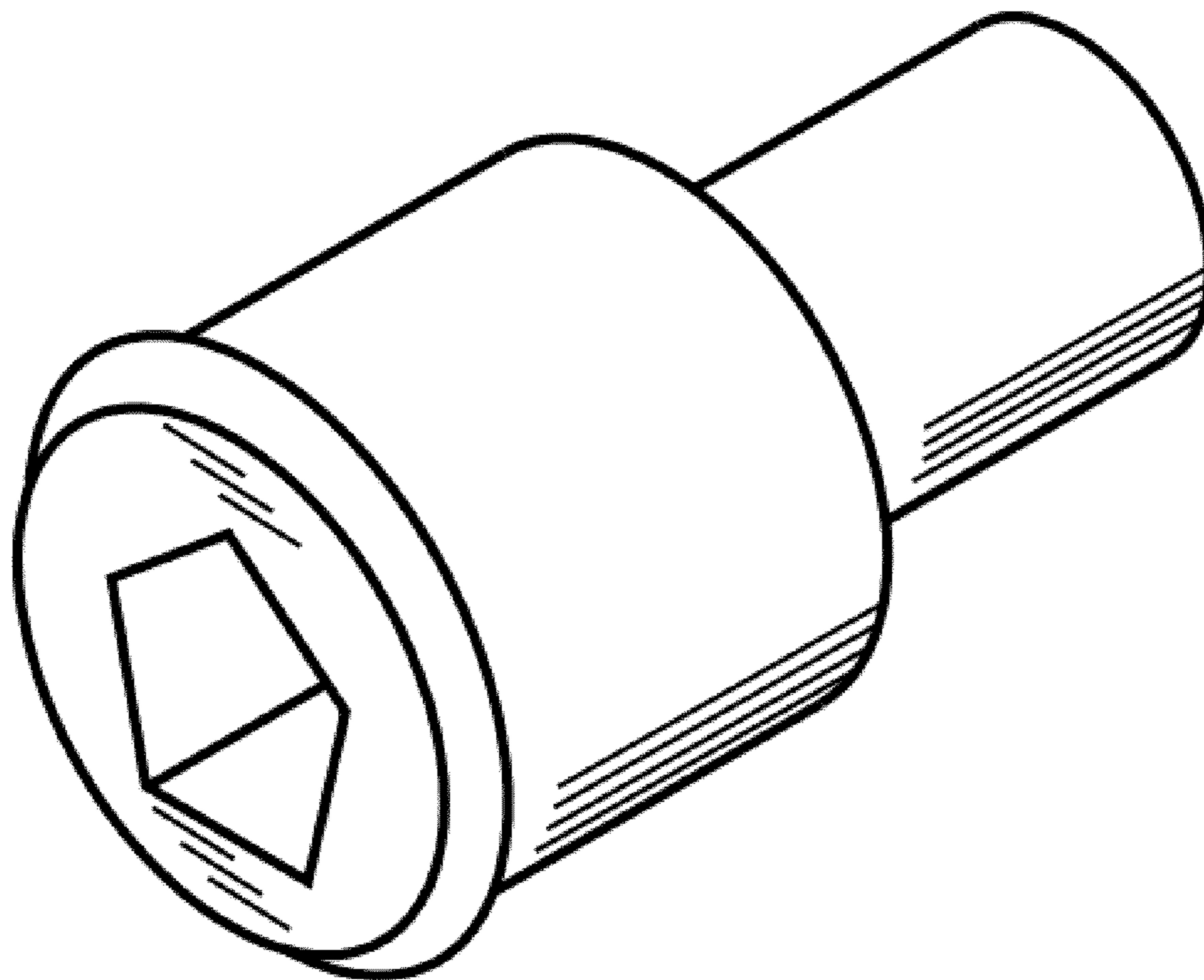
FIG. 1 is a perspective view of our ornamental design for a fluid applicator.

FIG. 2 is a top view of our design shown in FIG. 1.

FIG. 3 is a right plan view of our design shown in FIG. 1, all plan views including the left plan view being identical to the right plan view; and,

FIG. 4 is a bottom view of our design shown in FIG. 1.

1 Claim, 1 Drawing Sheet



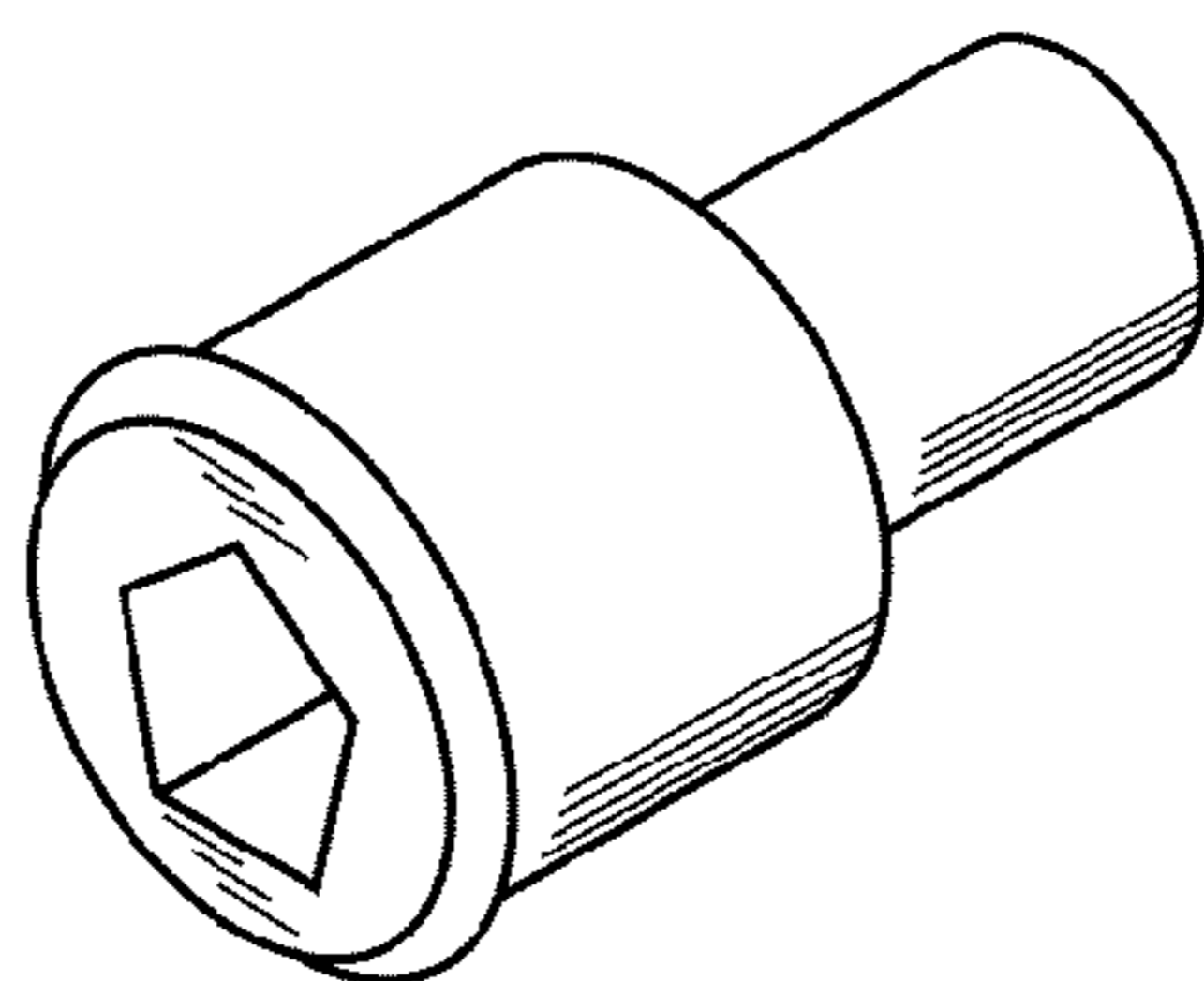


FIG. 1

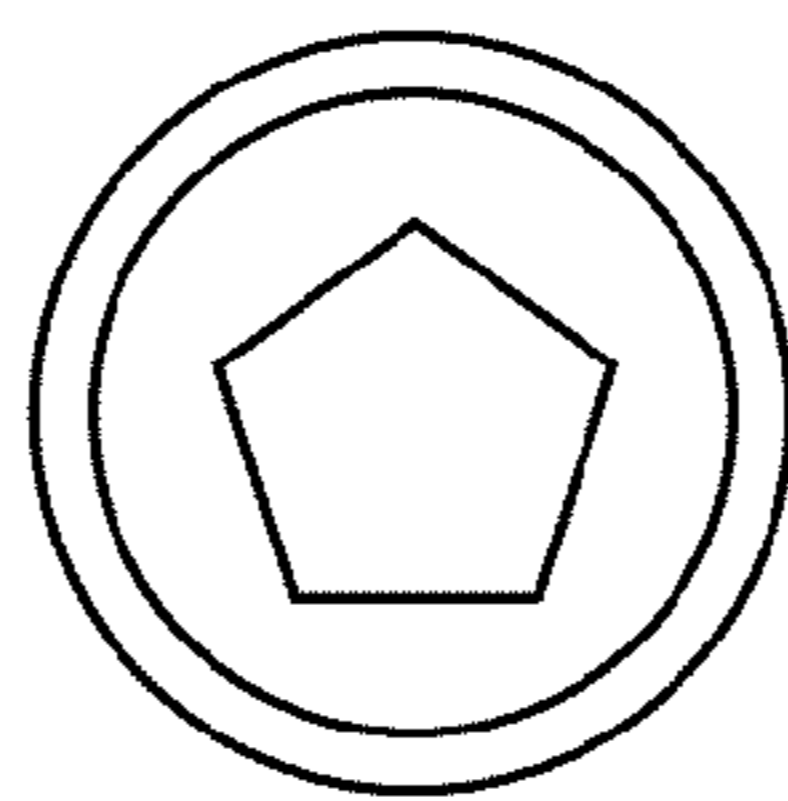


FIG. 2

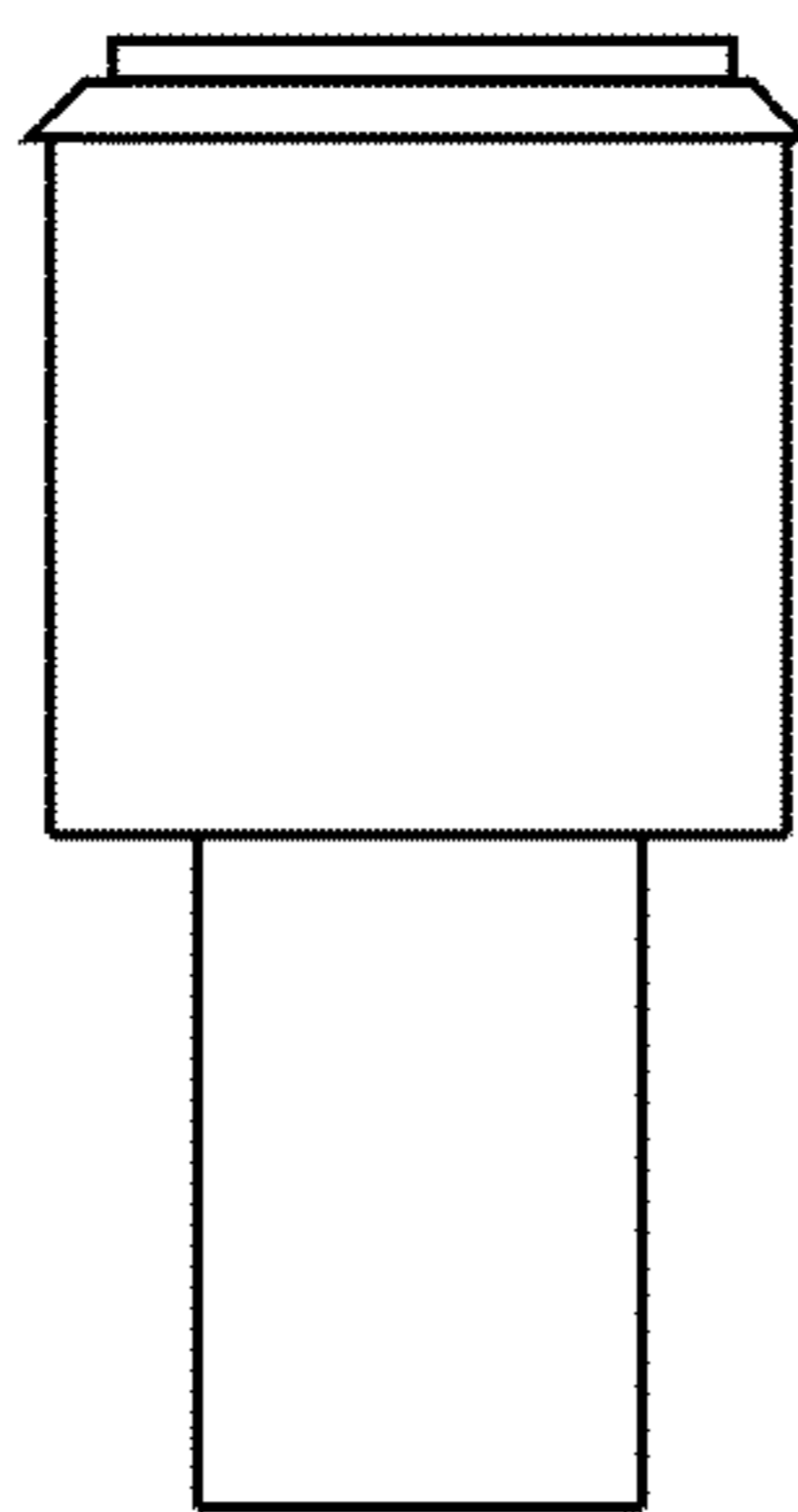


FIG. 3

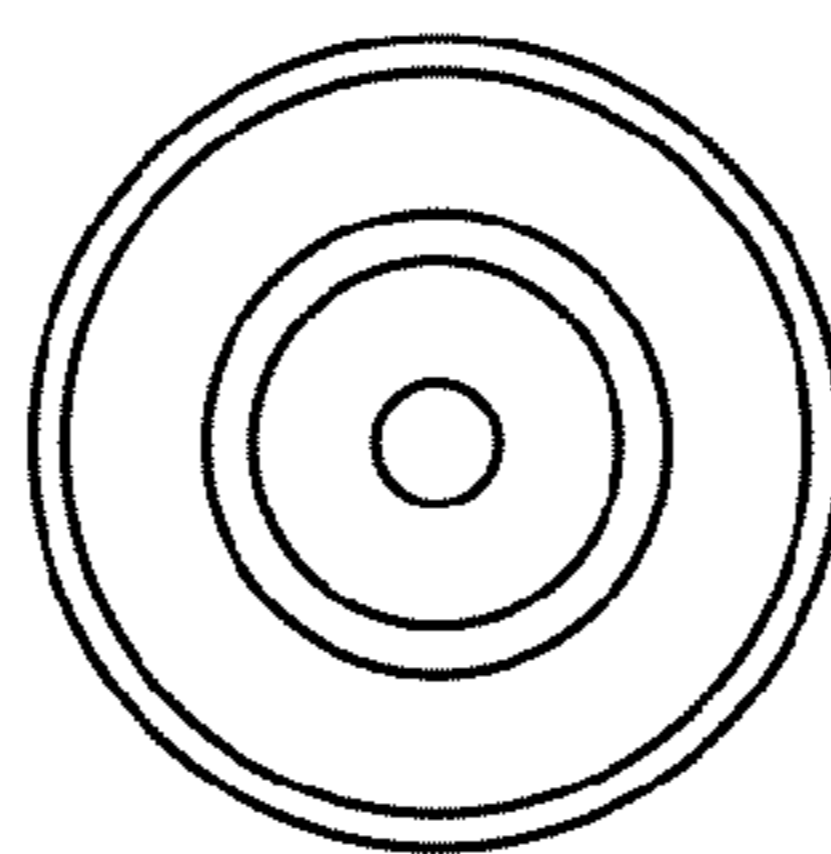


FIG. 4