



US00D714899S

(12) **United States Design Patent**
Bentley

(10) **Patent No.:** **US D714,899 S**

(45) **Date of Patent:** **** Oct. 7, 2014**

(54) **WATER DRUM**

(71) Applicant: **Zubeda Isha Bentley**, Pembroke Pines,
FL (US)

(72) Inventor: **Zubeda Isha Bentley**, Pembroke Pines,
FL (US)

(**) Term: **14 Years**

(21) Appl. No.: **29/459,976**

(22) Filed: **Jul. 5, 2013**

(51) **LOC (10) Cl.** **23-01**

(52) **U.S. Cl.**
USPC **D23/202**

(58) **Field of Classification Search**
USPC D23/202-205; 220/565, 560.04, 581,
220/586, 590

See application file for complete search history.

(56) **References Cited**

U.S. PATENT DOCUMENTS

3,528,582 A * 9/1970 Rigollot 220/581
D399,033 S * 9/1998 Przytulla D34/39
D422,771 S * 4/2000 Schmitt D34/39

* cited by examiner

Primary Examiner — Robin V Webster

(74) *Attorney, Agent, or Firm* — Carol N. Green, Esq.

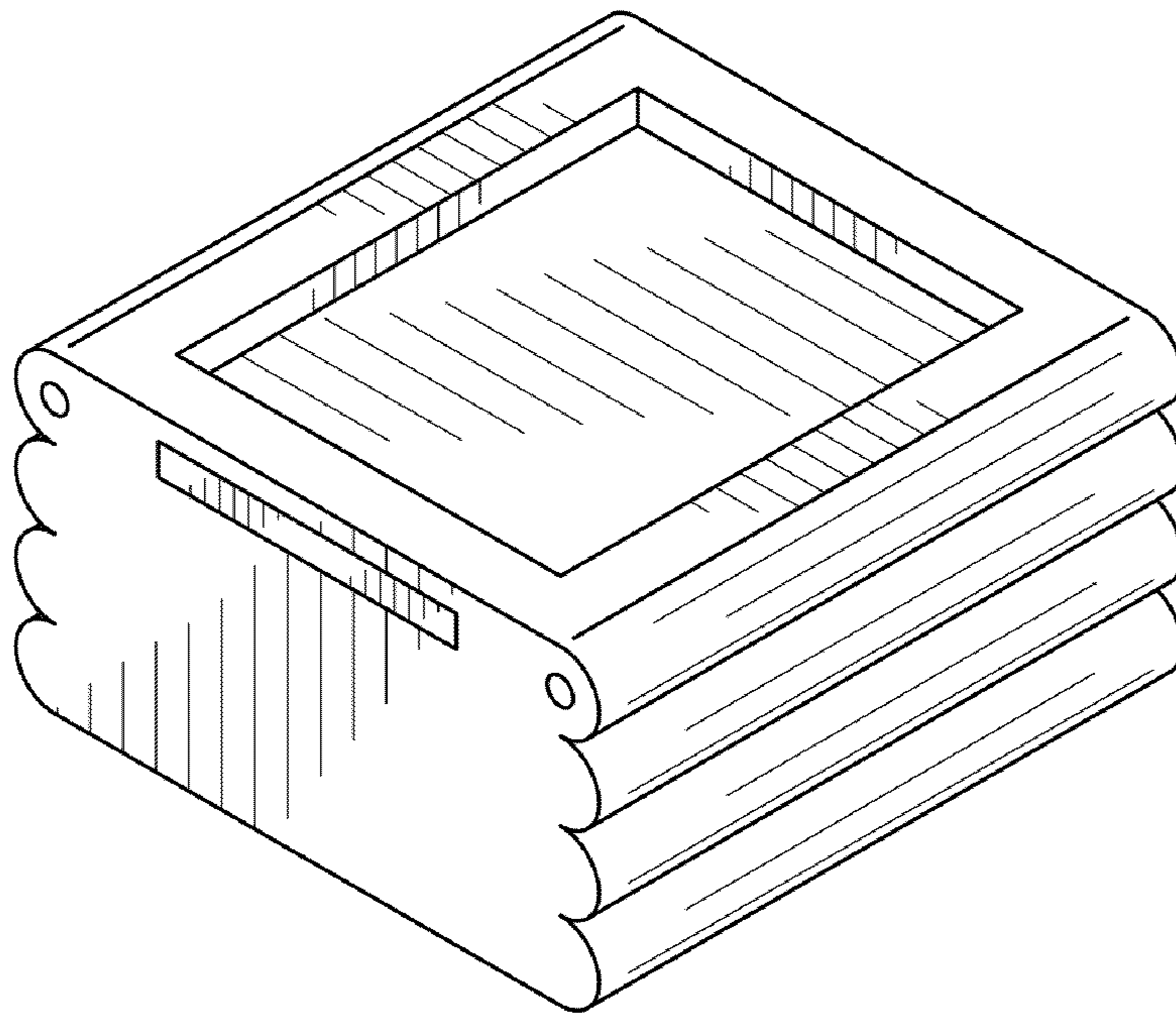
(57) **CLAIM**

The ornamental design for the water drum, as shown and described.

DESCRIPTION

FIG. 1 is a top perspective view of the water drum.
FIG. 2 is a bottom perspective view of the water drum.
FIG. 3 is a top plan view of the water drum.
FIG. 4 is a bottom plan view of the water drum.
FIG. 5 is a side view of the water drum; and,
FIG. 6 is side view of the water drum.

1 Claim, 3 Drawing Sheets



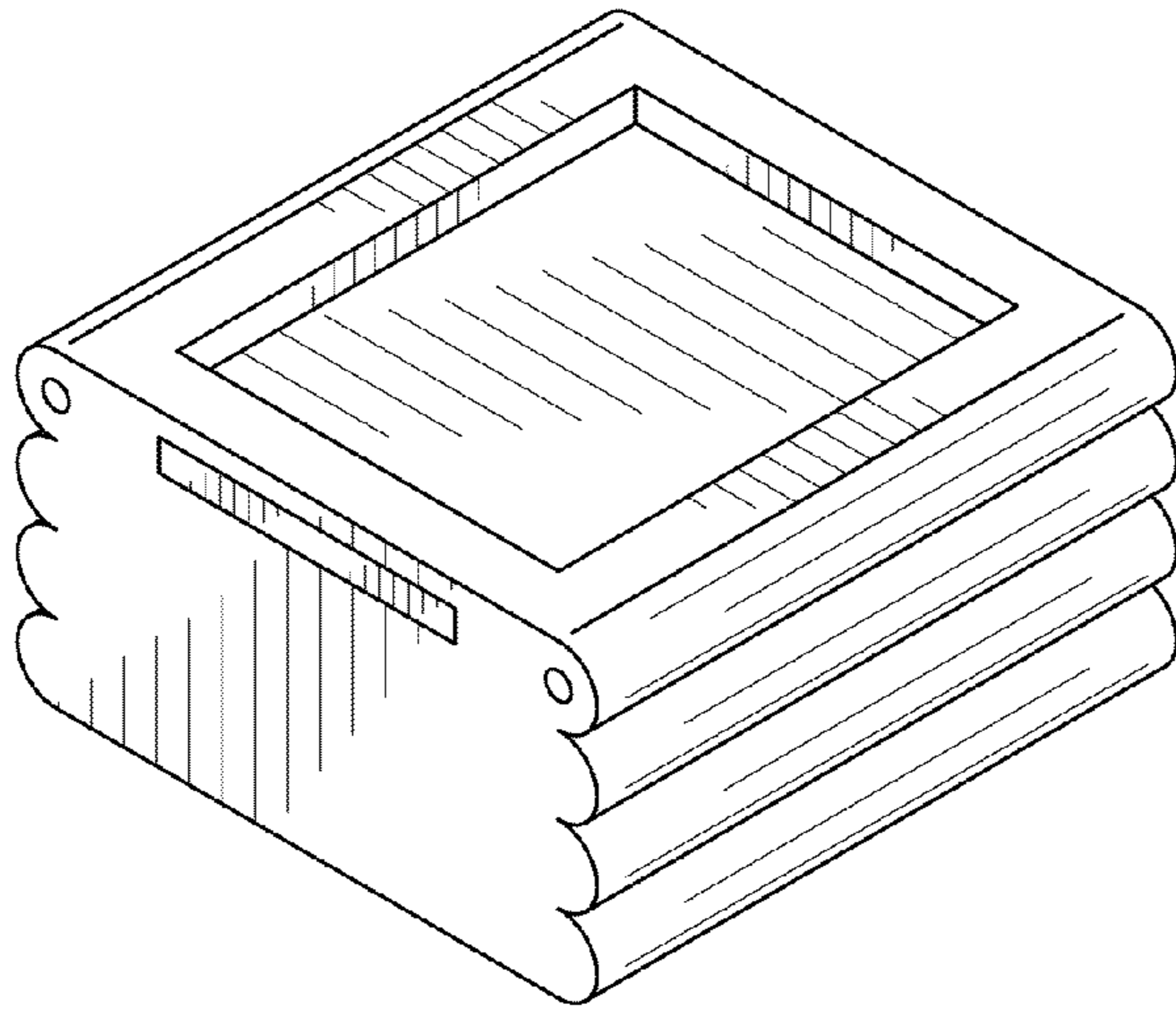


FIG. 1

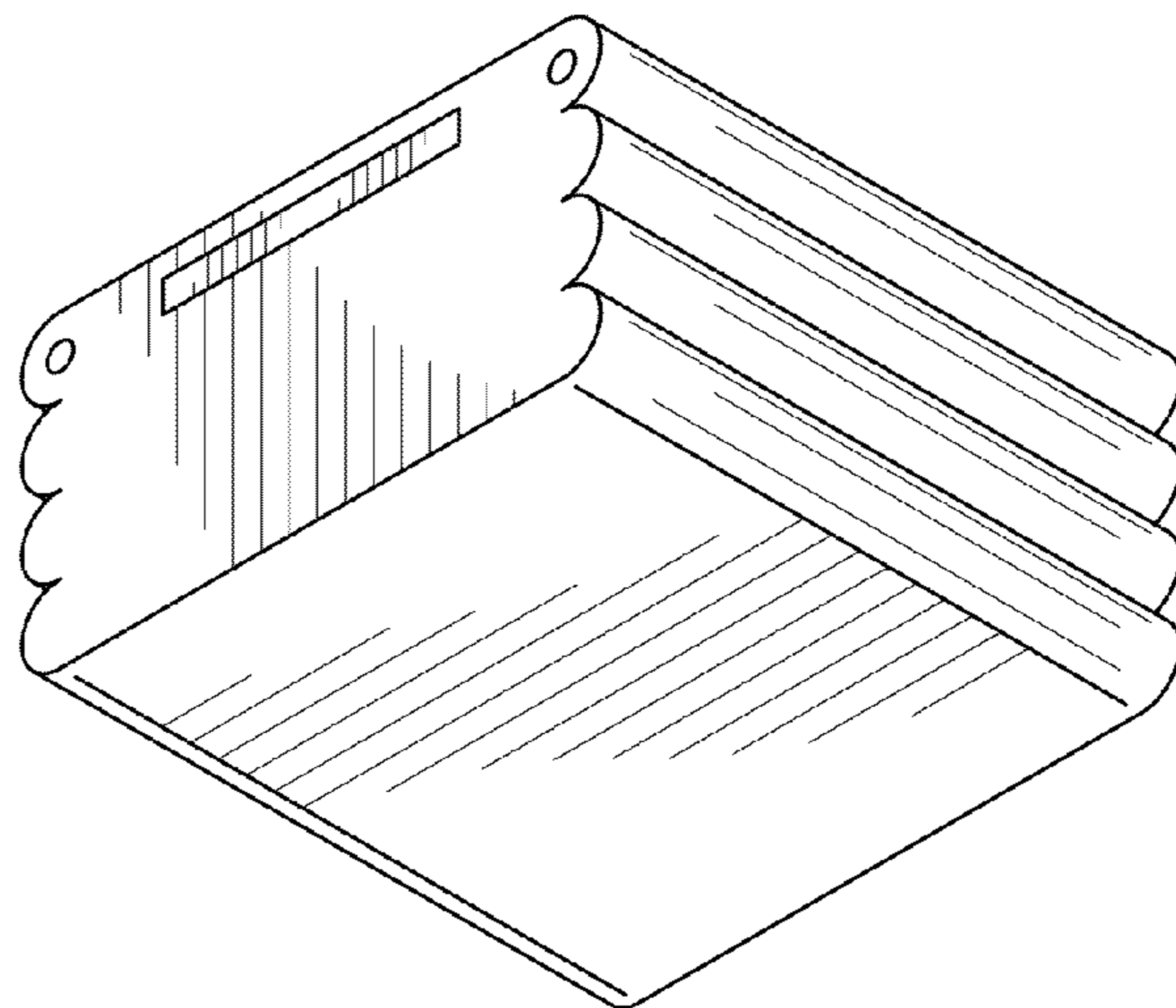


FIG. 2

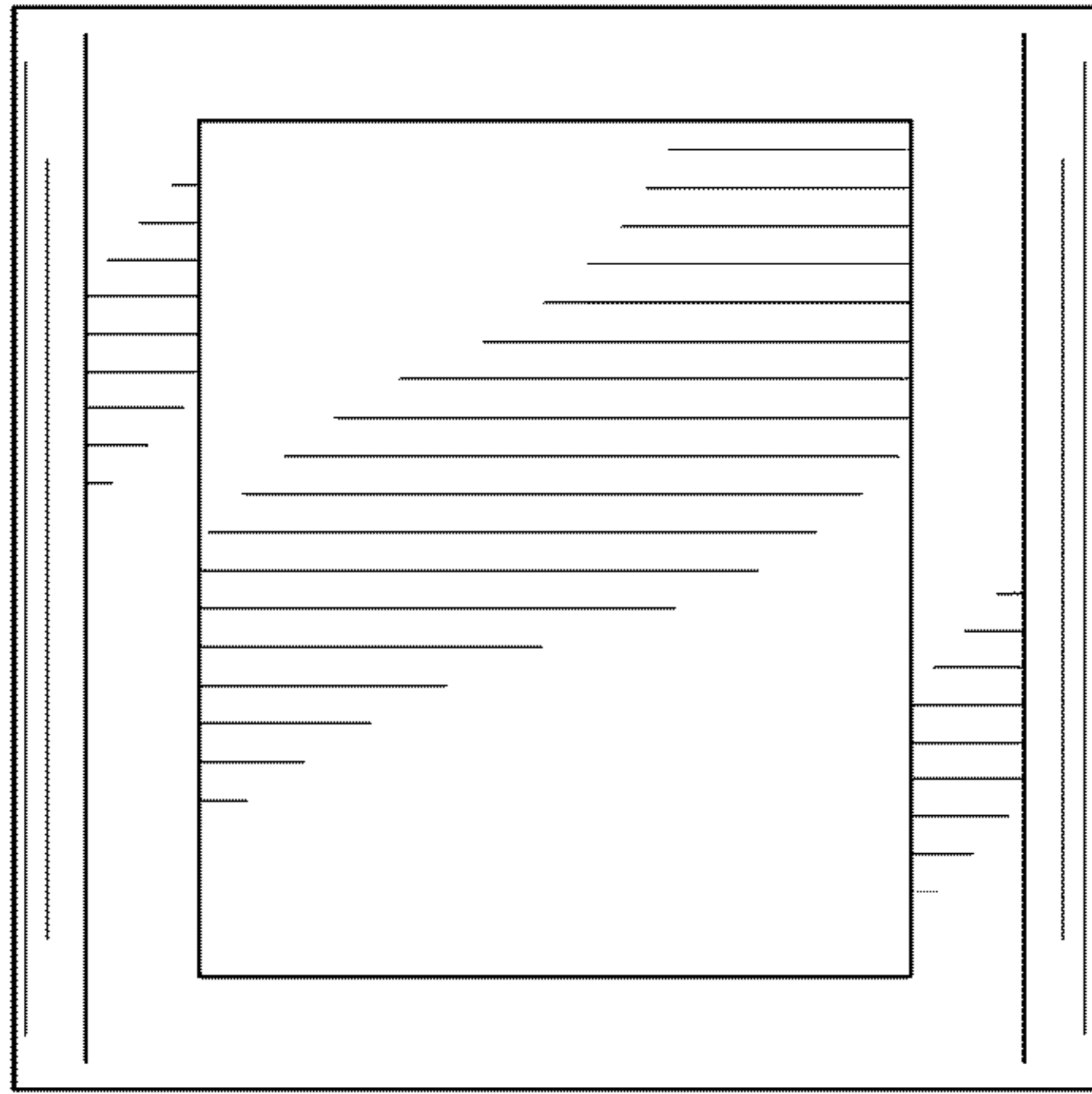


FIG. 3

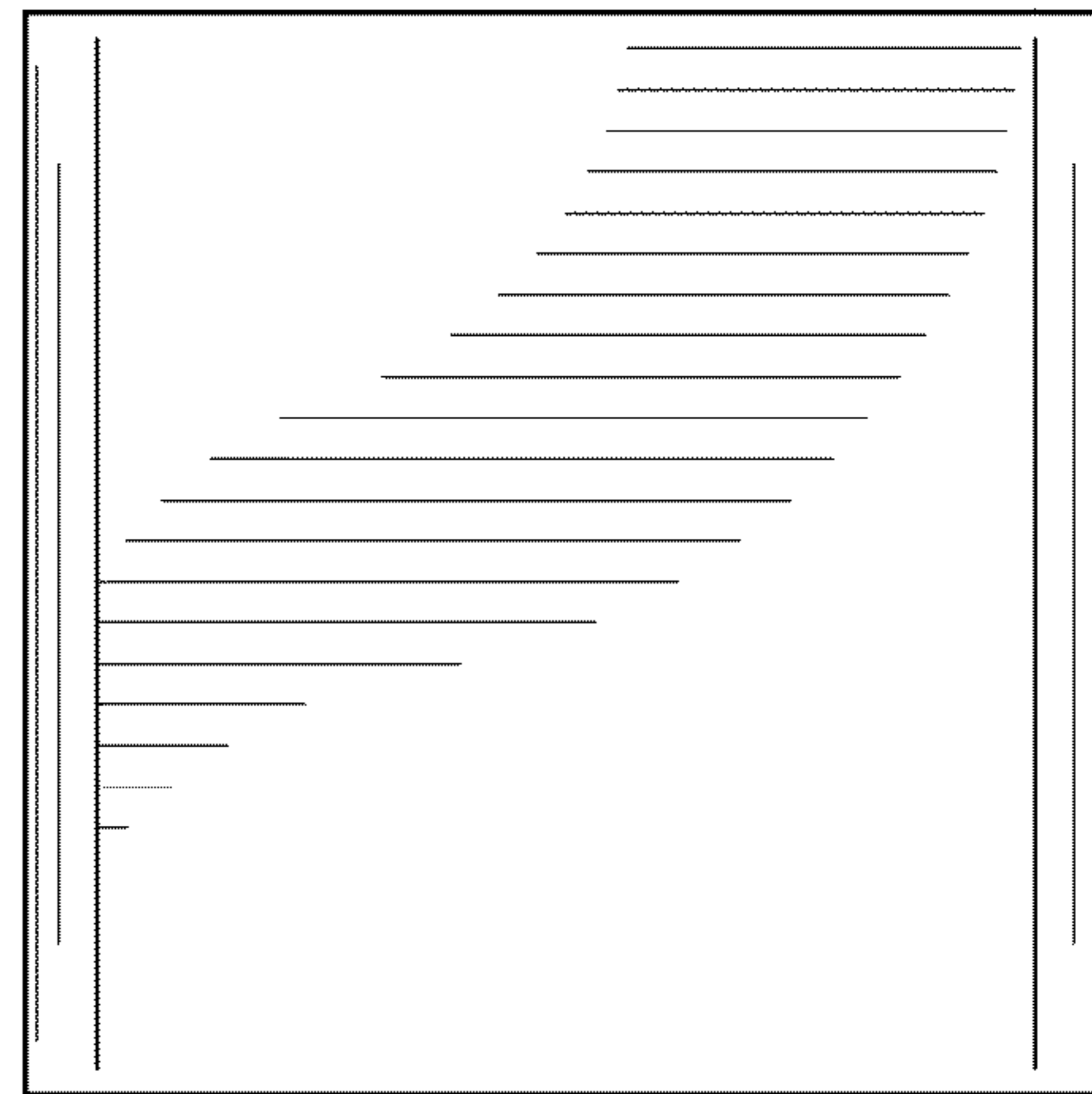


FIG. 4

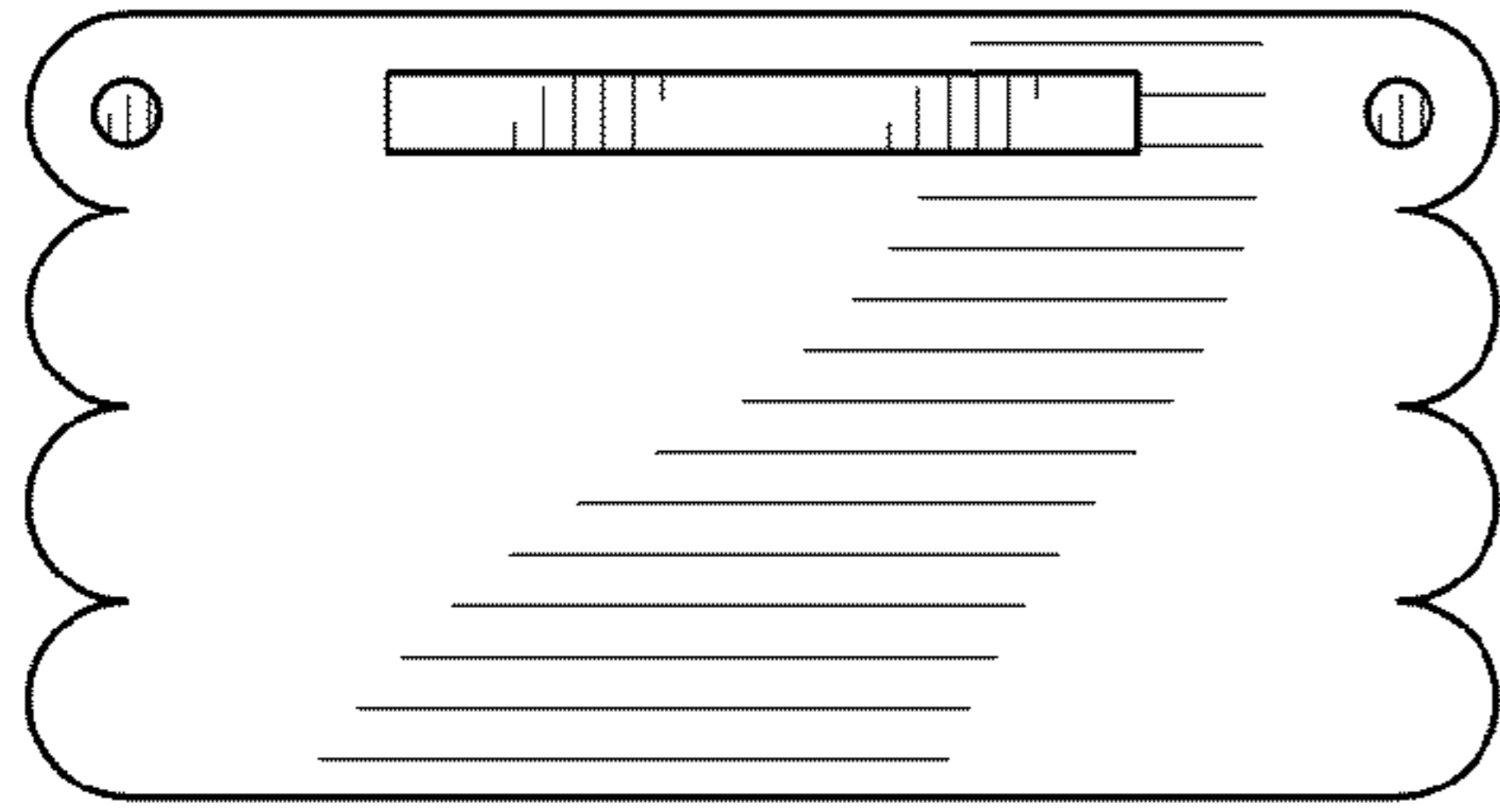


FIG. 5

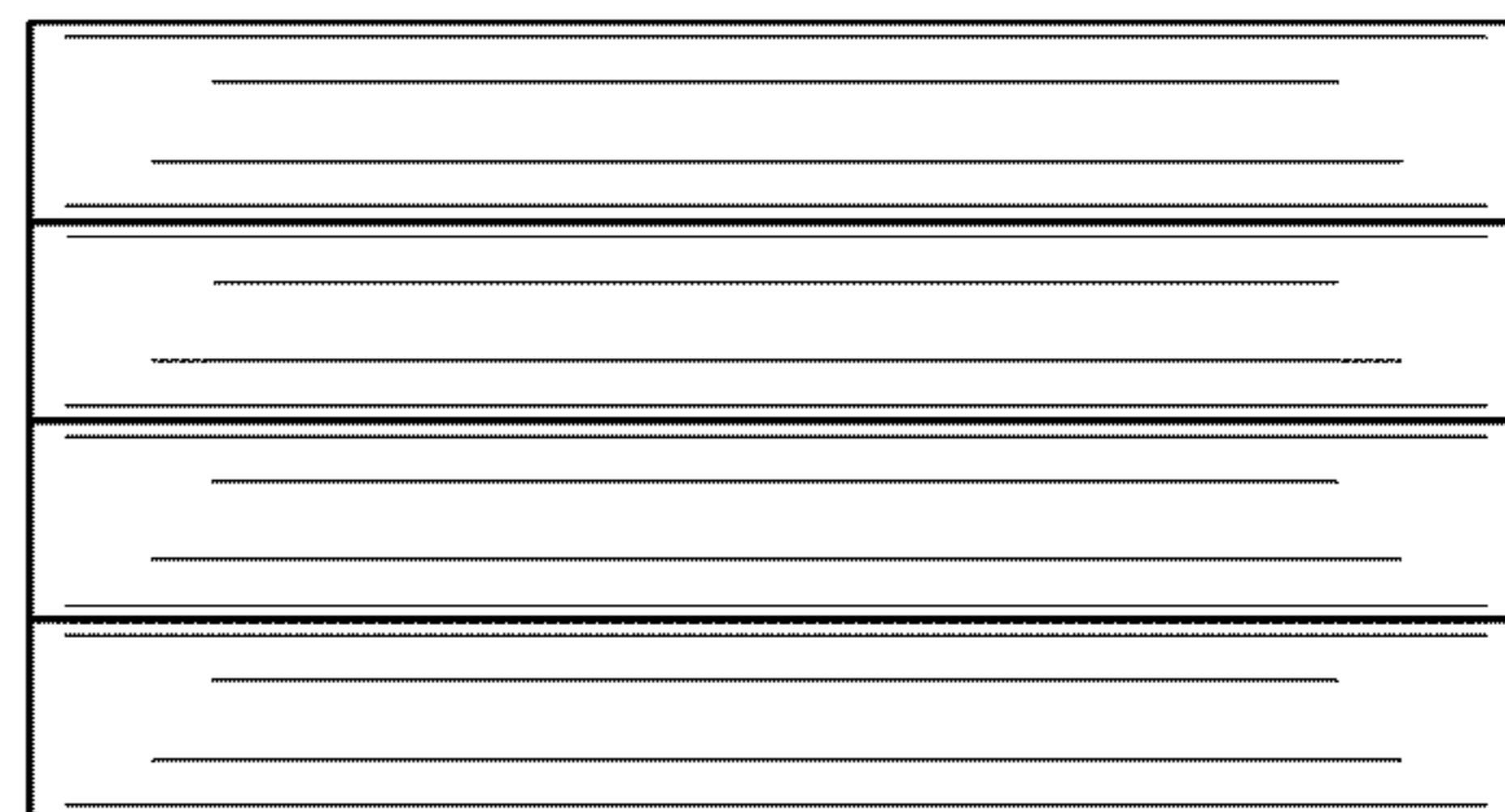


FIG. 6