

US00D714898S

(12) **United States Design Patent**
Franks et al.

(10) **Patent No.:** **US D714,898 S**

(45) **Date of Patent:** **** Oct. 7, 2014**

(54) **BATTERY OPERATED ULTRA-LOW VOLUME FOGGING AND MISTING UNIT**

6,854,661 B2 * 2/2005 Monitto 239/102.2
7,100,540 B2 * 9/2006 Vaughan 122/40
D699,318 S * 2/2014 Hung D23/200

(71) Applicants: **Barry Franks**, Derry, NH (US); **John Vallerand**, Burlington, MA (US)

* cited by examiner

(72) Inventors: **Barry Franks**, Derry, NH (US); **John Vallerand**, Burlington, MA (US)

Primary Examiner — Robin V Webster

(74) *Attorney, Agent, or Firm* — Hayes Soloway P.C.

(**) Term: **14 Years**

(57) **CLAIM**

We claim the ornamental design for a battery operated ultra-low volume fogging and misting unit, as shown and described.

(21) Appl. No.: **29/468,486**

(22) Filed: **Oct. 1, 2013**

DESCRIPTION

(51) **LOC (10) Cl.** **23-01**

(52) **U.S. Cl.**
USPC **D23/200**

(58) **Field of Classification Search**
CPC B05B 1/24; B05B 1/08; B05B 9/002
USPC D23/200, 213; 239/8, 14.1, 431, 419
See application file for complete search history.

FIG. 1 is an upper perspective view of a battery operated ultra-low volume fogging and misting unit showing our new design;

FIG. 2 is a first side view thereof;

FIG. 3 is a top view thereof;

FIG. 4 is a bottom view thereof;

FIG. 5 is a front view thereof;

FIG. 6 is a second side view thereof; and,

FIG. 7 is a rear view thereof.

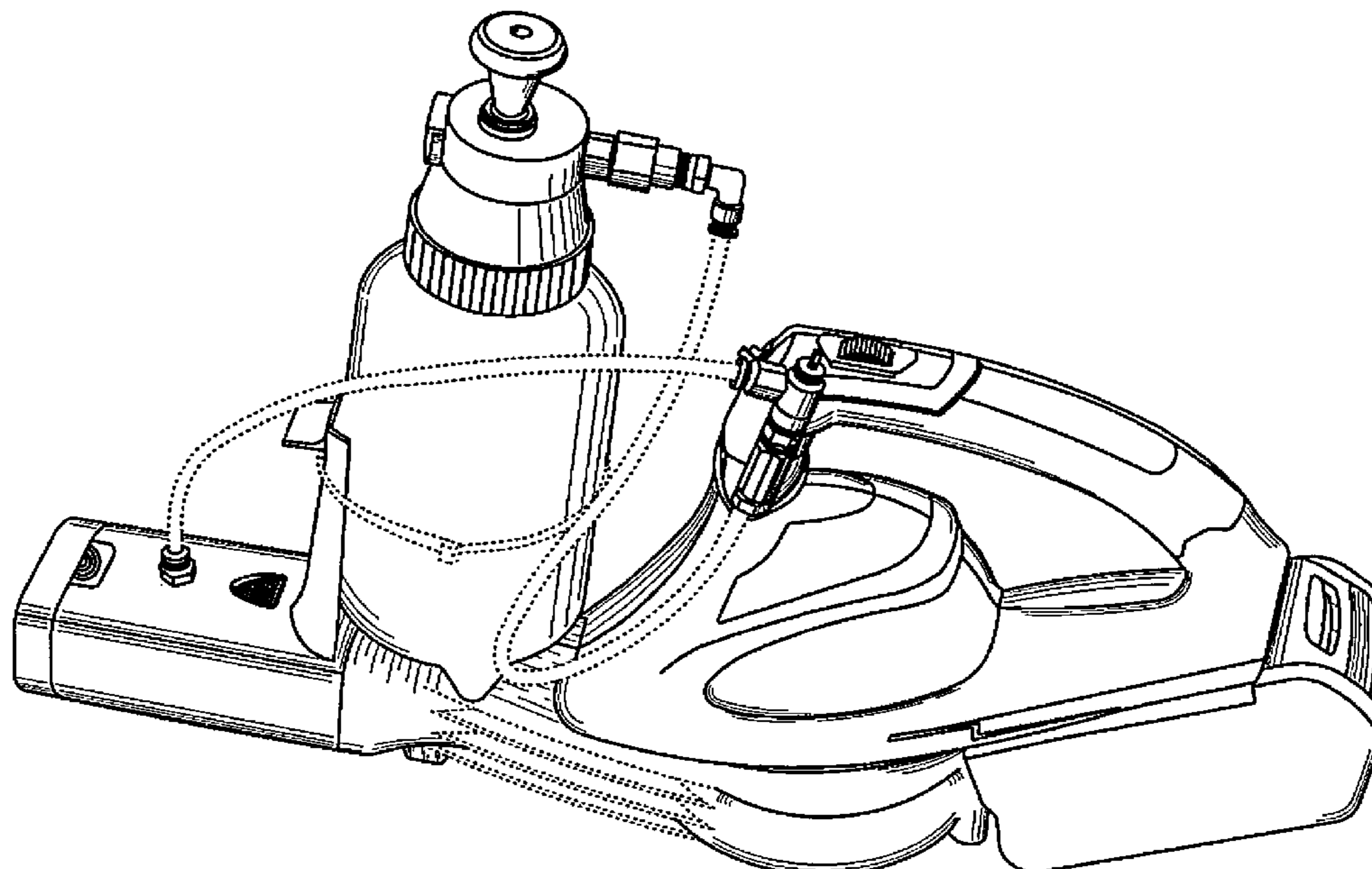
The broken line showing is included for the purpose of illustrating and forms no part of the claimed design.

(56) **References Cited**

U.S. PATENT DOCUMENTS

3,646,701 A * 3/1972 Pfaffenbach 43/129
4,836,452 A * 6/1989 Fox 239/338

1 Claim, 7 Drawing Sheets



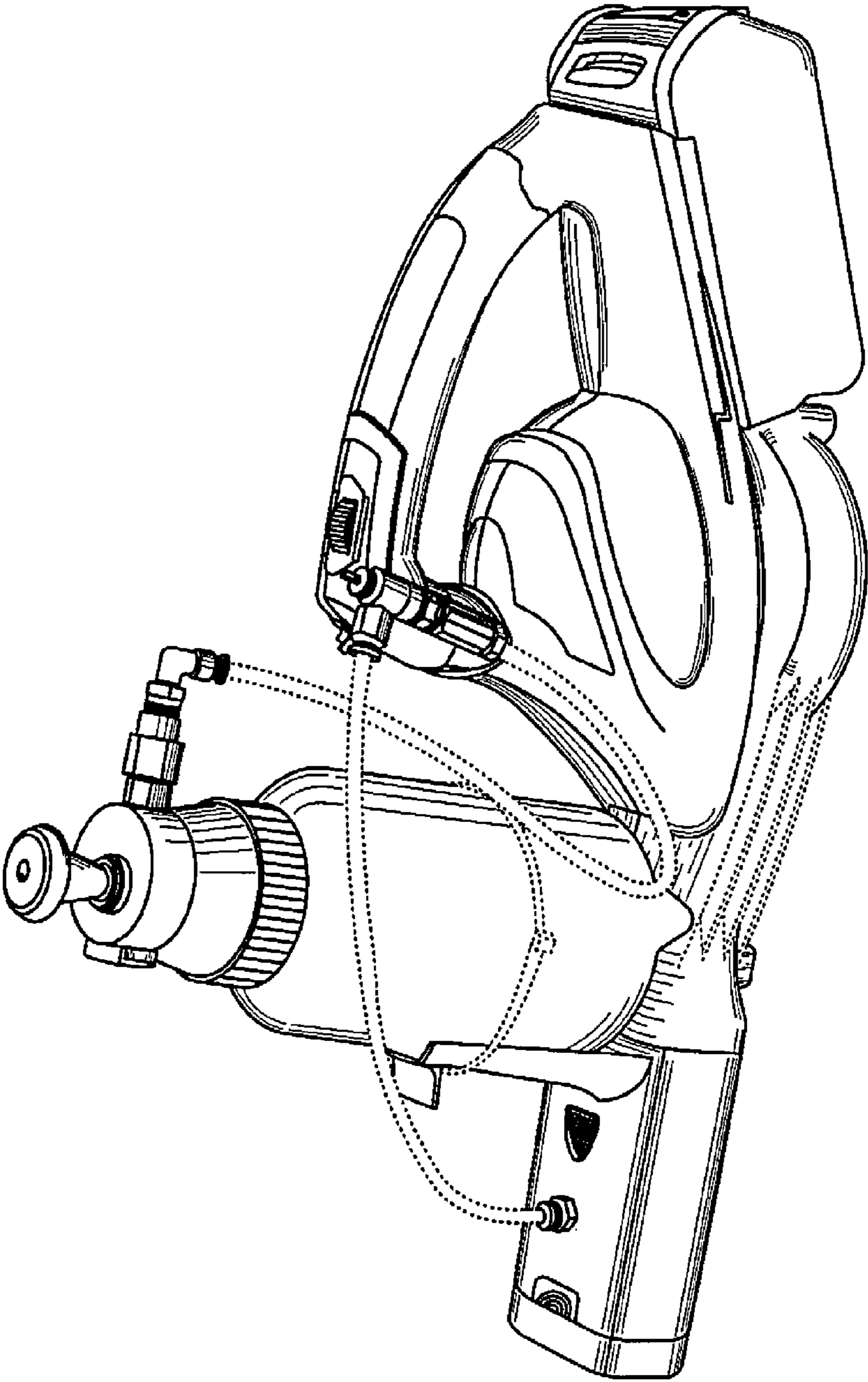


FIG. 1

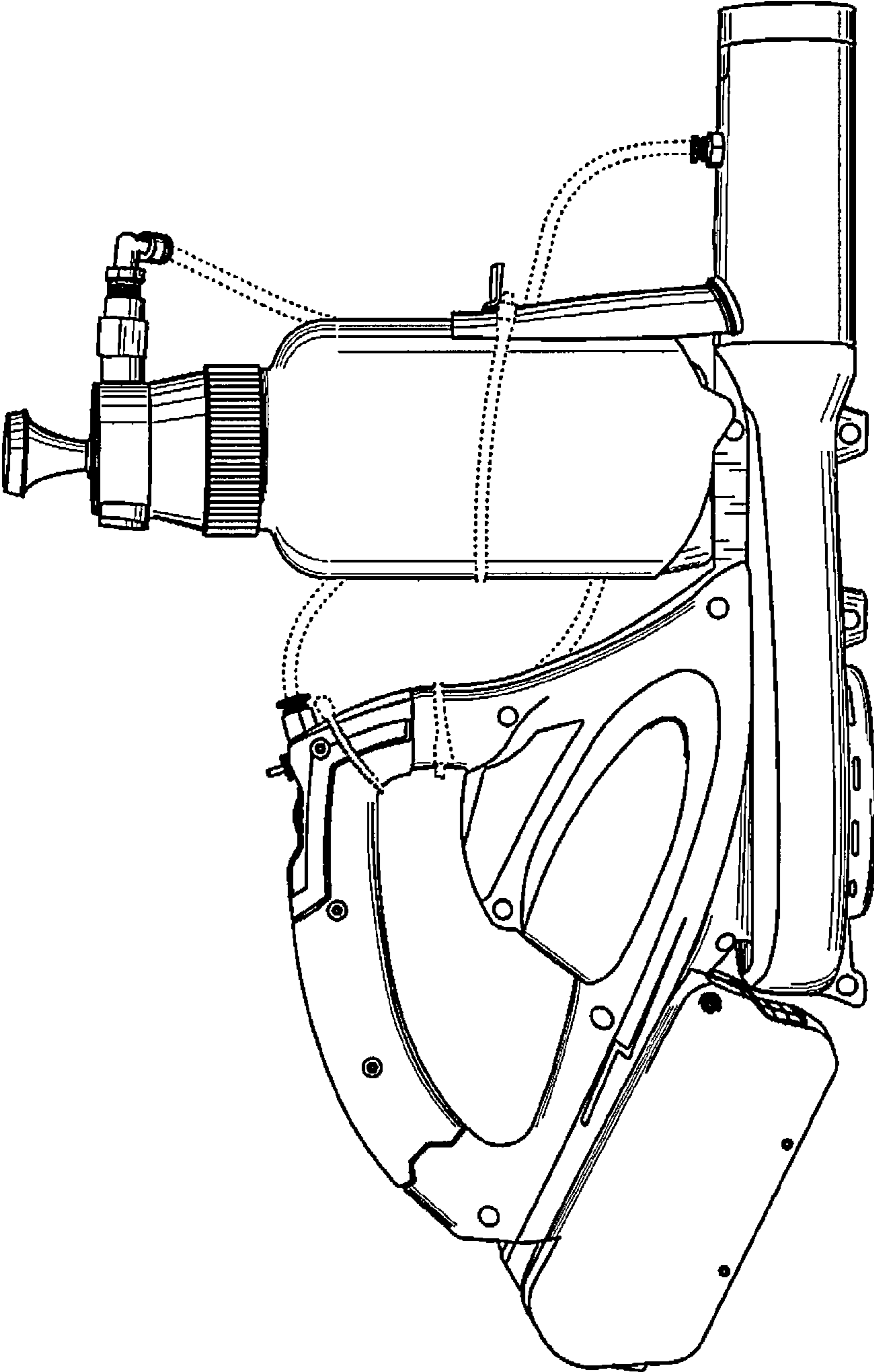


FIG. 2

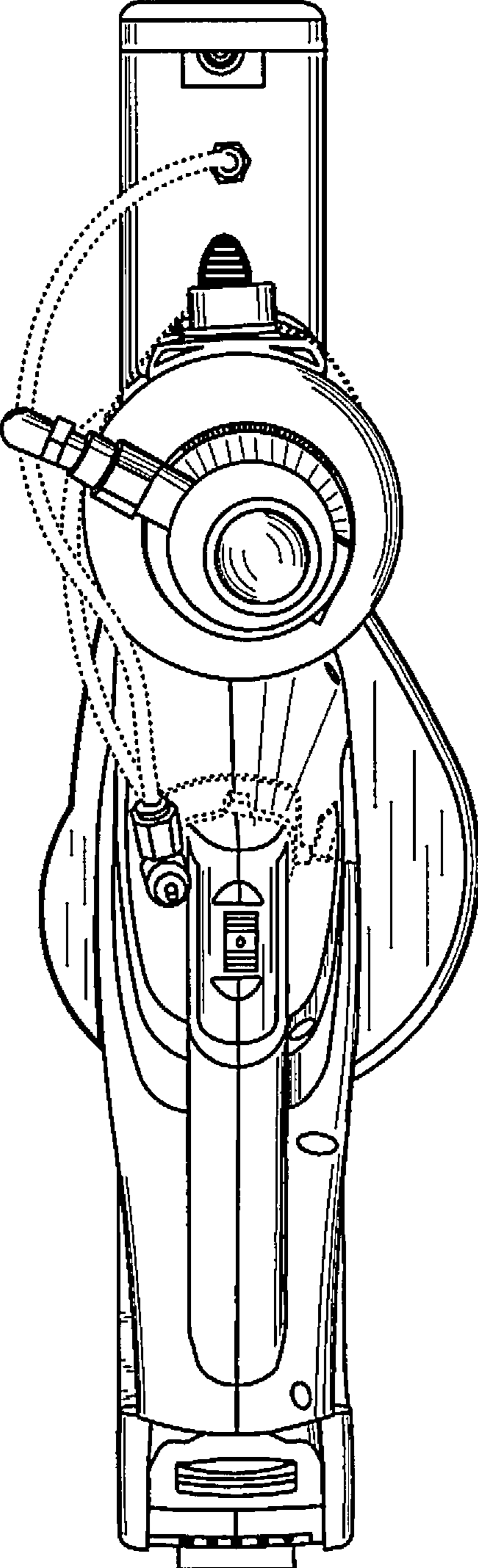


FIG. 3

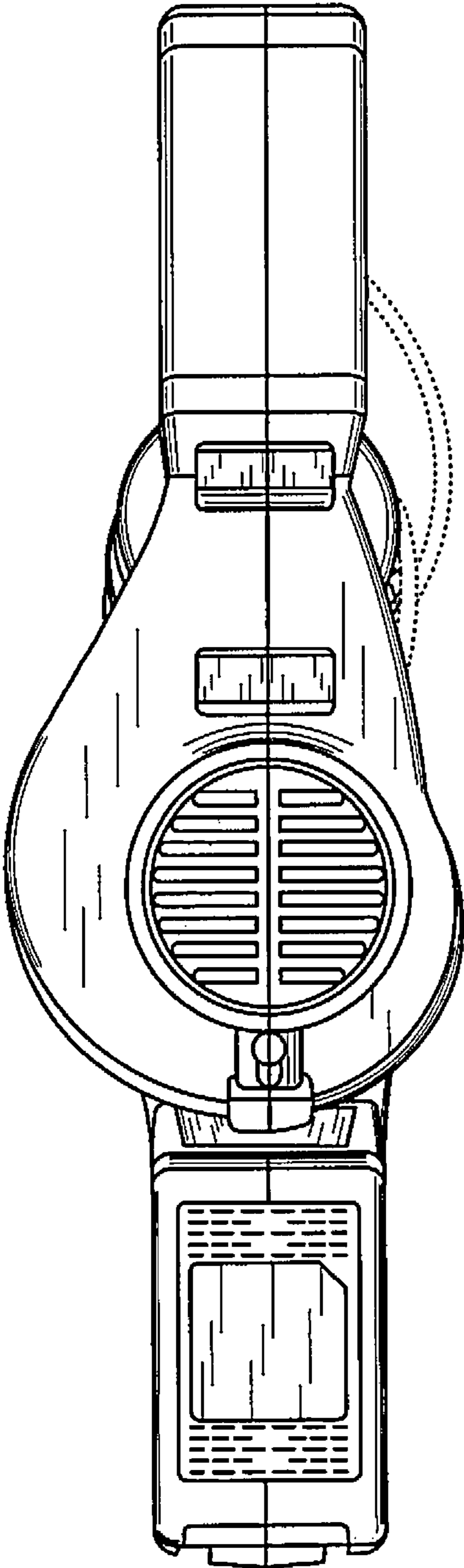


FIG. 4

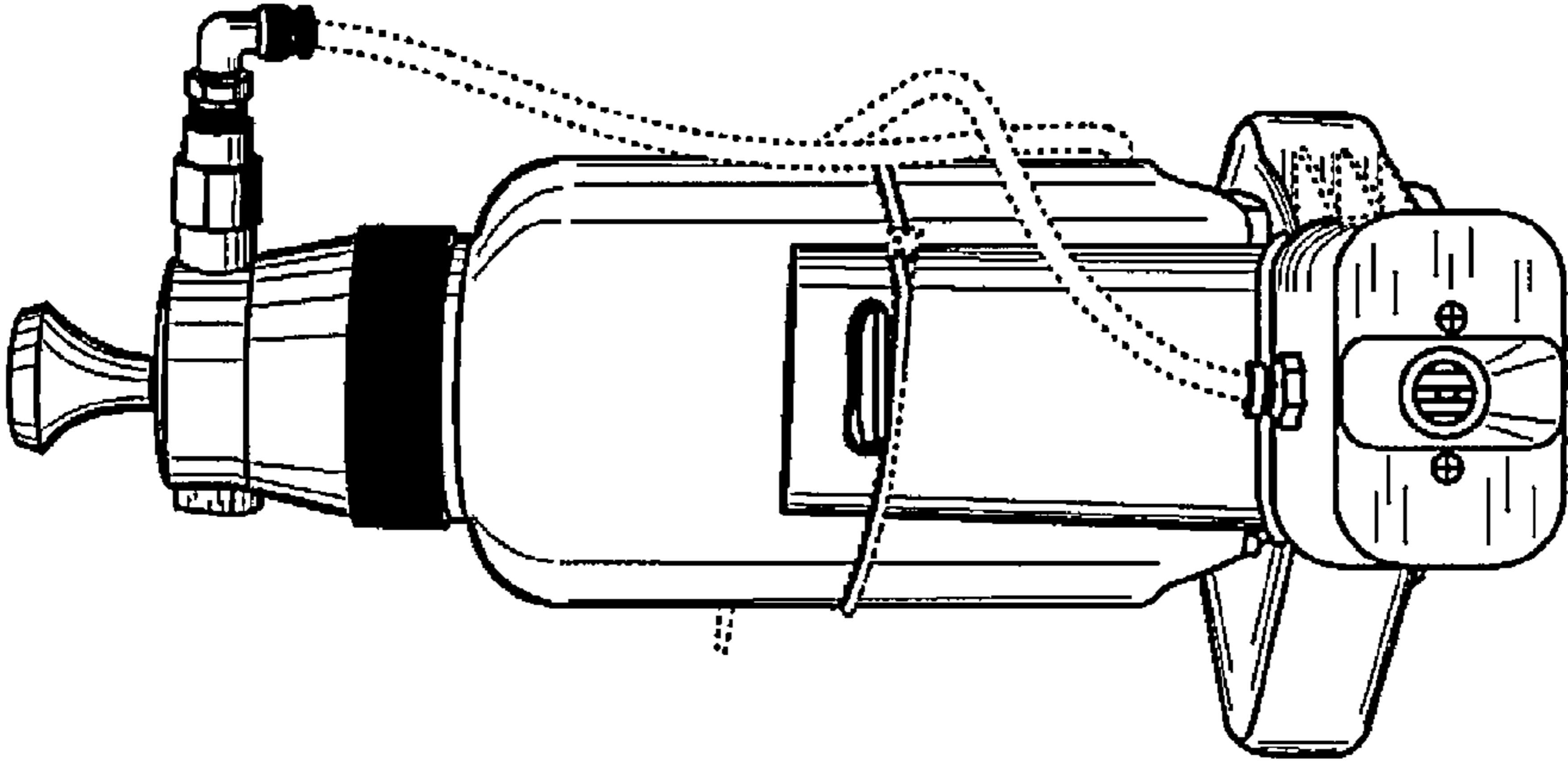


FIG. 5

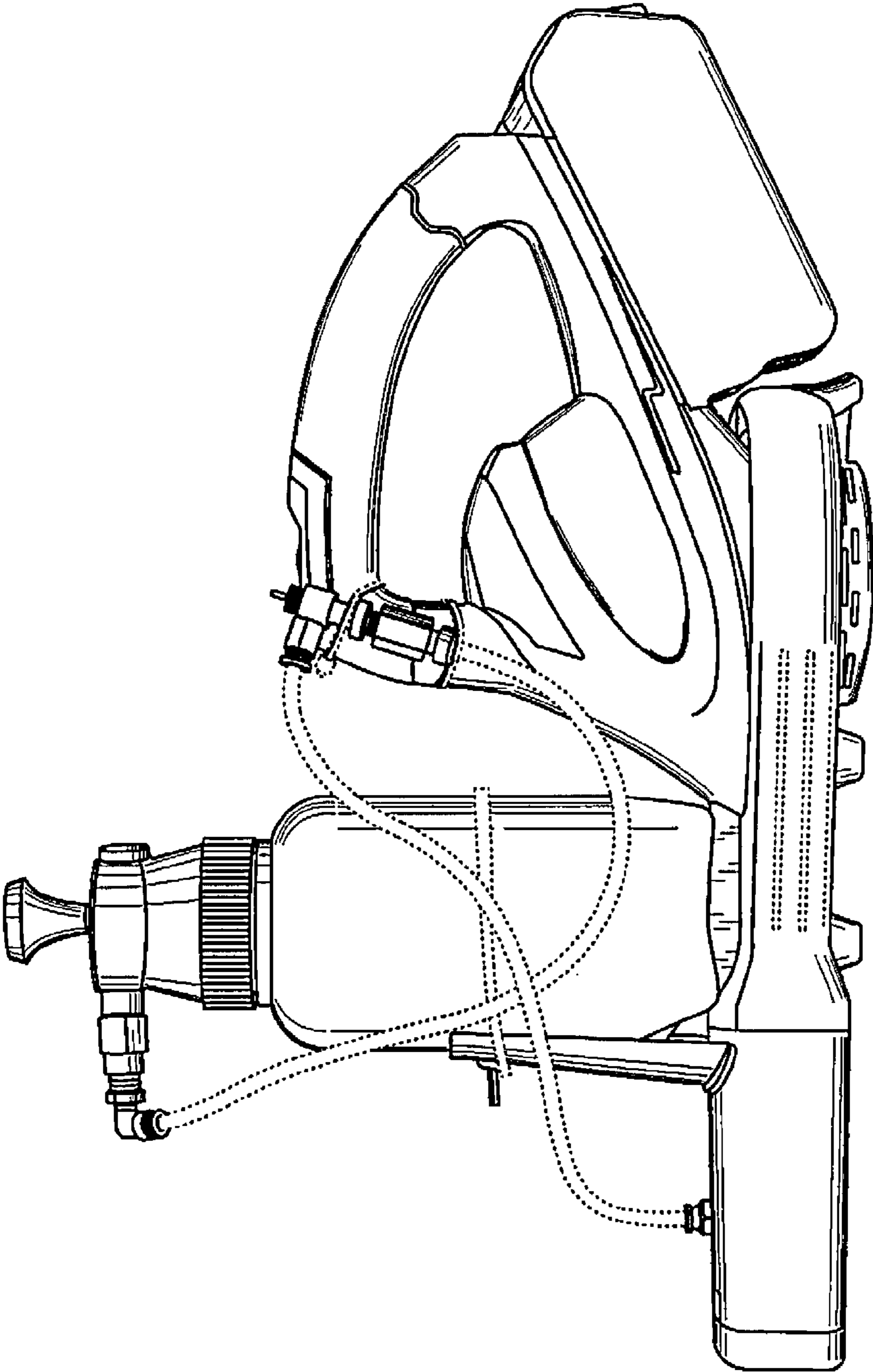


FIG. 6

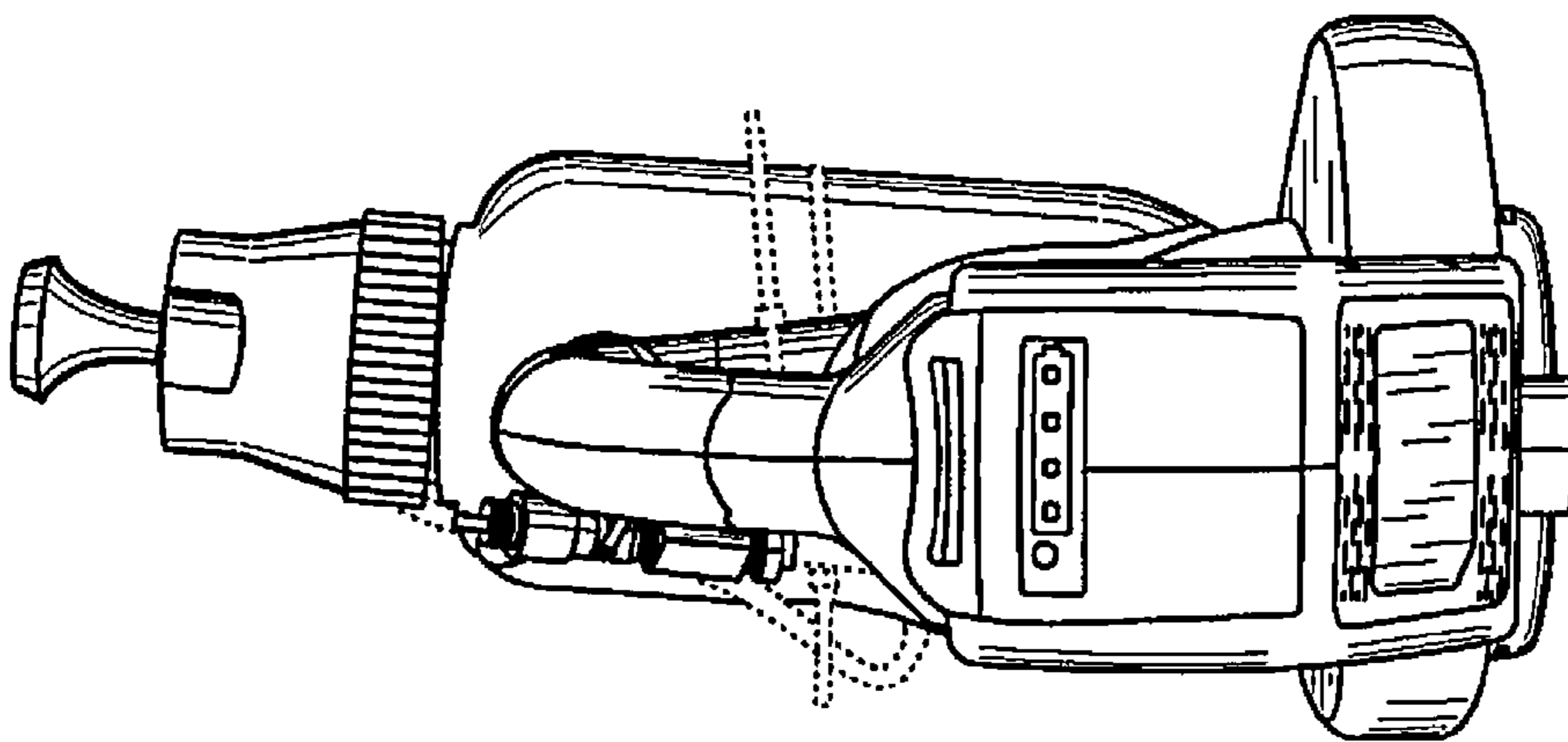


FIG. 7