



US00D714897S

(12) **United States Design Patent**
LoBracco

(10) **Patent No.:** **US D714,897 S**

(45) **Date of Patent:** **** Oct. 7, 2014**

(54) **GOLF TRAINING ASSEMBLY**

D534,233 S * 12/2006 Bullock D21/792
D632,749 S * 2/2011 Montgomery D21/791
8,702,528 B1 * 4/2014 Montgomery 473/157

(71) Applicant: **JoAnn LoBracco**, Phoenix, AZ (US)

* cited by examiner

(72) Inventor: **JoAnn LoBracco**, Phoenix, AZ (US)

Primary Examiner — Mitchell Siegel

(**) Term: **14 Years**

(74) *Attorney, Agent, or Firm* — Venable, Campillo, Logan & Meaney, P.C.

(21) Appl. No.: **29/468,607**

(57) **CLAIM**

(22) Filed: **Oct. 1, 2013**

The ornamental design for a golf training assembly, as shown and described.

(51) **LOC (10) Cl.** **21-02**

(52) **U.S. Cl.**
USPC **D21/791**

DESCRIPTION

(58) **Field of Classification Search**
USPC D21/789–792; 473/157, 158, 162, 173,
473/174
See application file for complete search history.

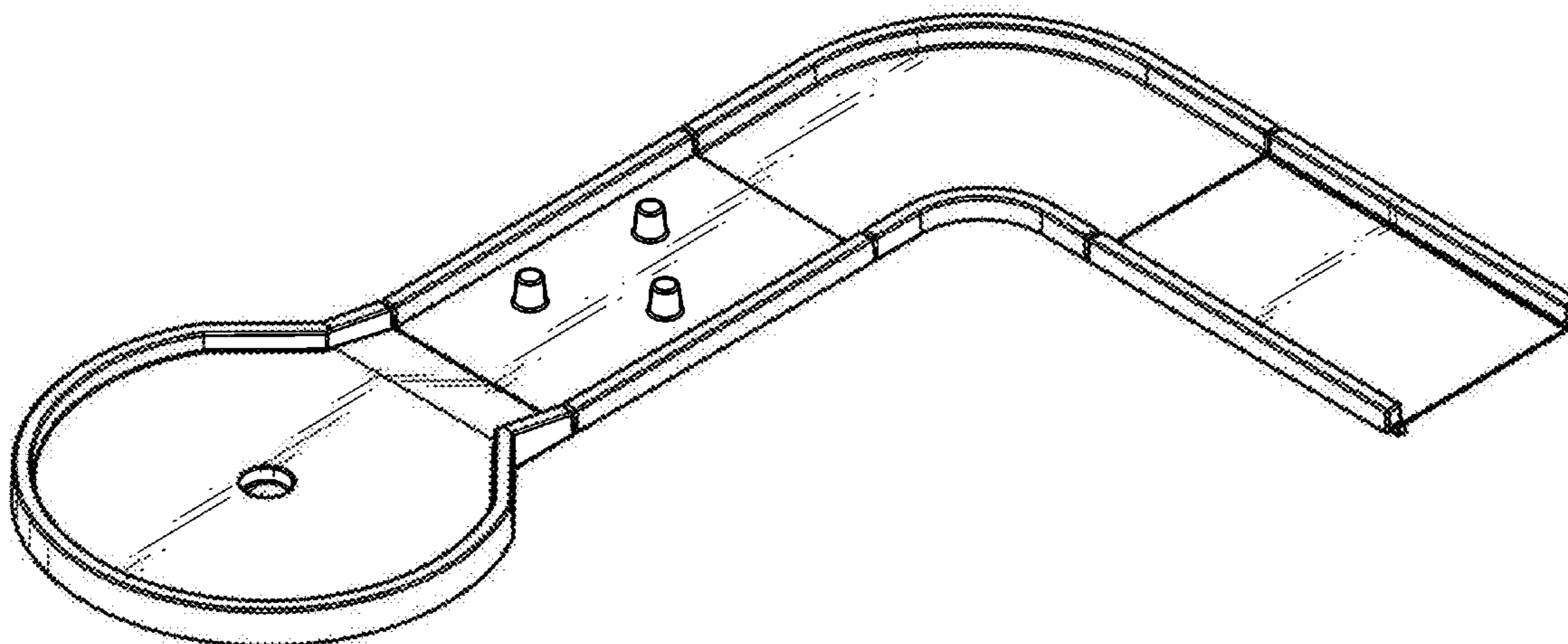
(56) **References Cited**

U.S. PATENT DOCUMENTS

1,582,237	A	*	4/1926	Angell	473/158
4,596,391	A	*	6/1986	Carolan, Jr.	473/158
4,877,250	A	*	10/1989	Centafanti	473/157
D388,856	S	*	1/1998	Desjardins	D21/792
D389,211	S	*	1/1998	Desjardins	D21/792
D389,213	S	*	1/1998	Desjardins	D21/792
5,749,789	A	*	5/1998	Karl	473/162
D400,631	S	*	11/1998	Moore	D21/791
D407,458	S	*	3/1999	Soonlan	D21/792

FIG. 1 is a front and left side perspective view of a golf training assembly embodying the new design;
FIG. 2 is a perspective view of a first track piece of the embodiment of FIG. 1;
FIG. 3 is a perspective view of a second track piece of the embodiment of FIG. 1;
FIG. 4 is a perspective view of a third track piece of the embodiment of FIG. 1;
FIG. 5 is a perspective view of a fourth track piece of the embodiment of FIG. 1;
FIG. 6 is a top plan view of the golf training assembly of FIG. 1; and,
FIG. 7 is a left side view of the golf training assembly of FIG. 1.

1 Claim, 6 Drawing Sheets



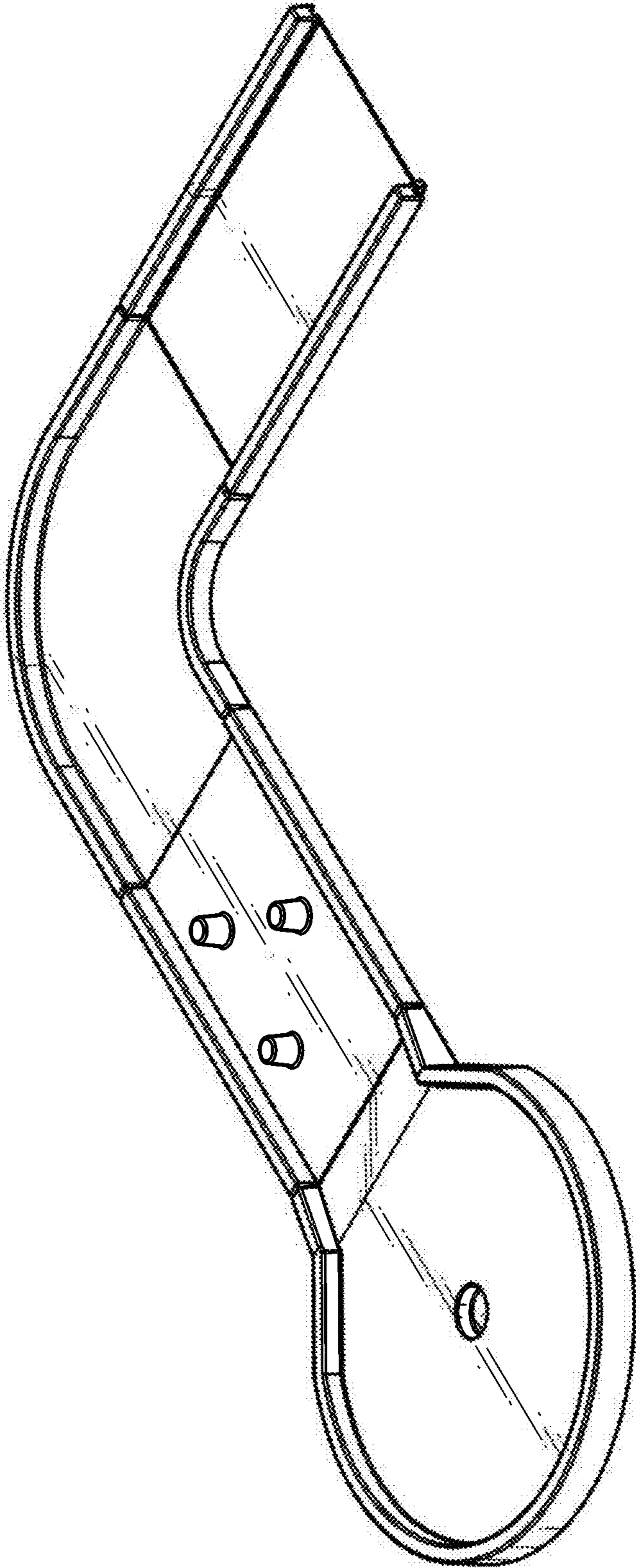


FIG. 1

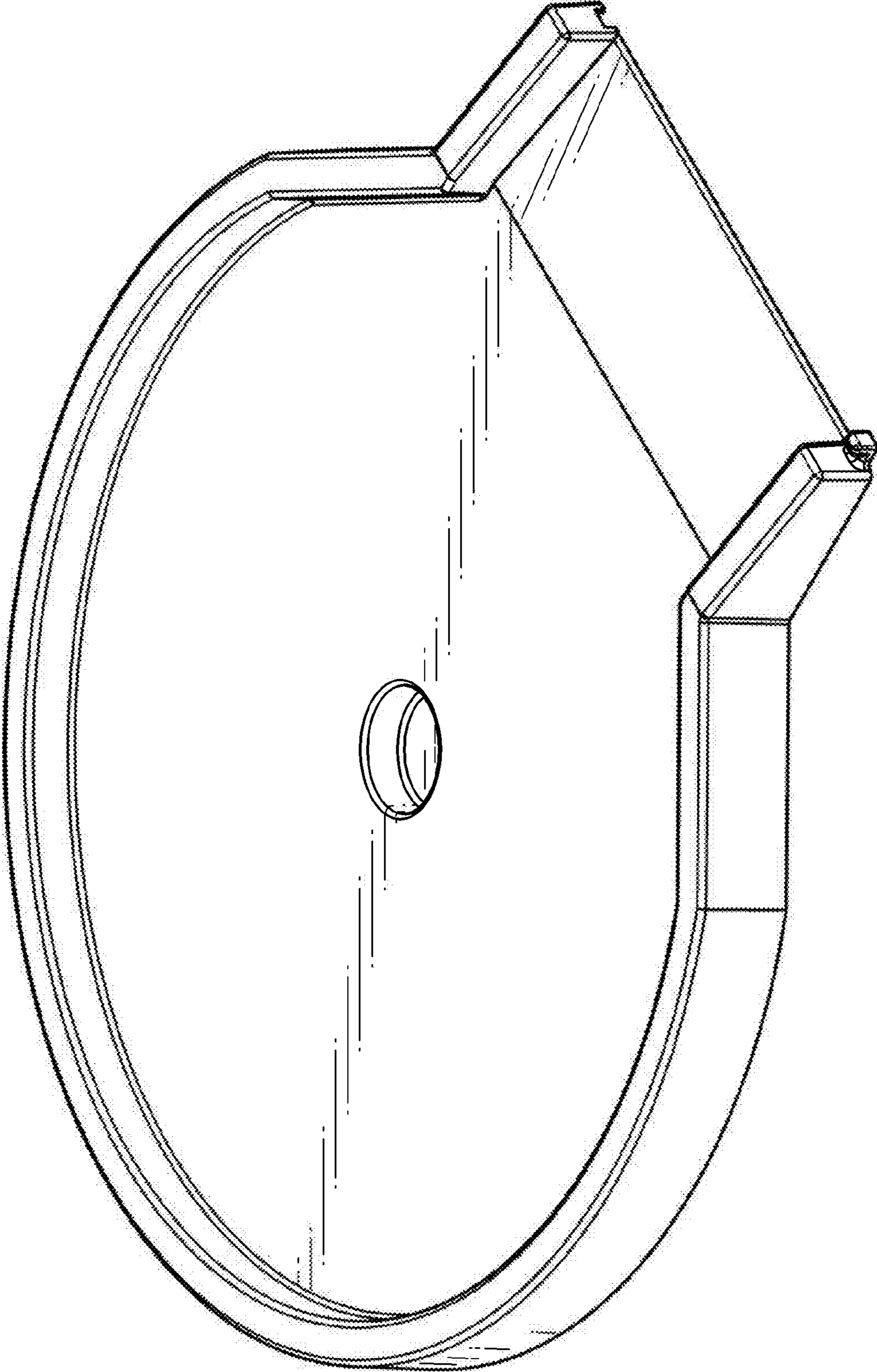


FIG. 2

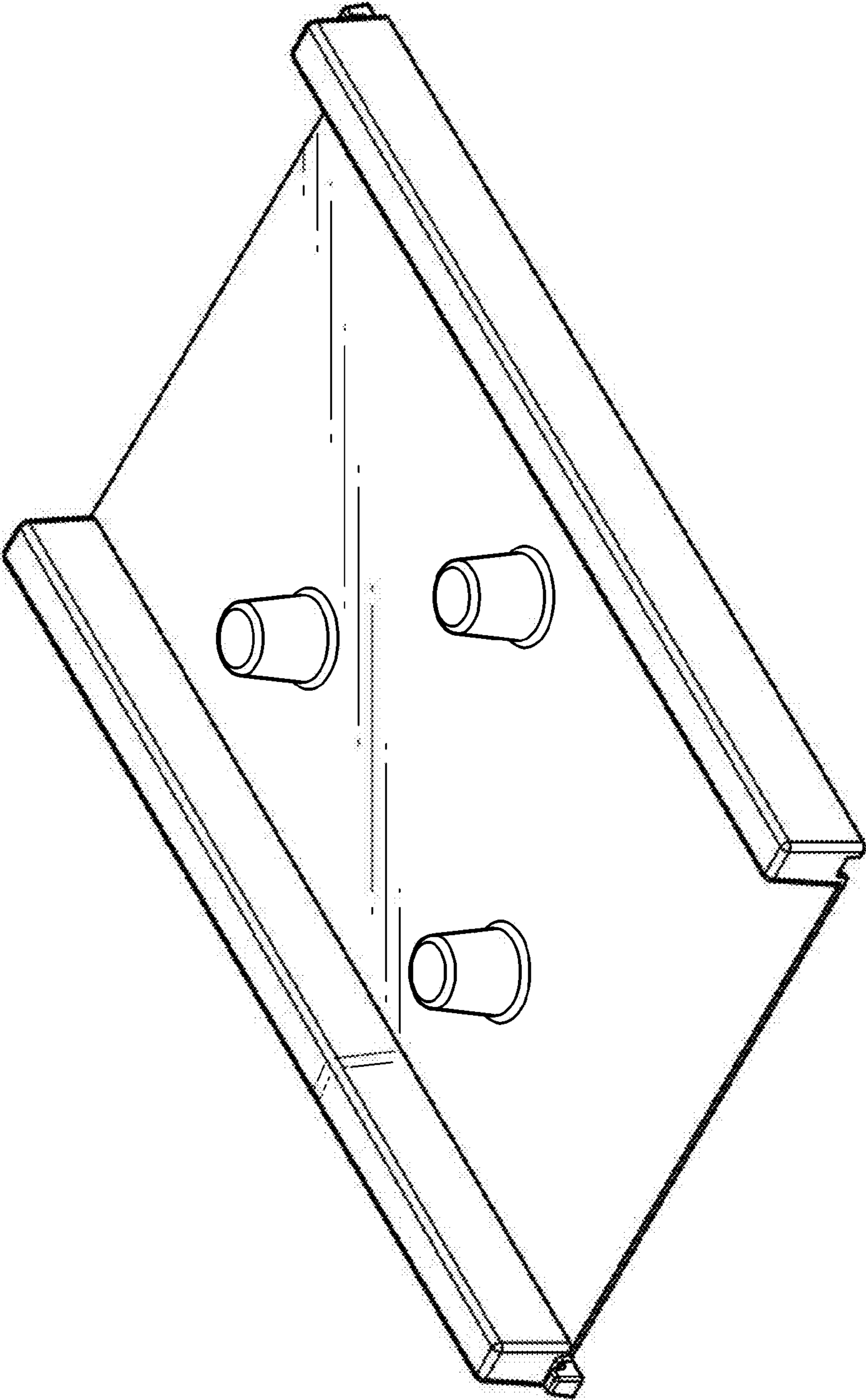


FIG. 3

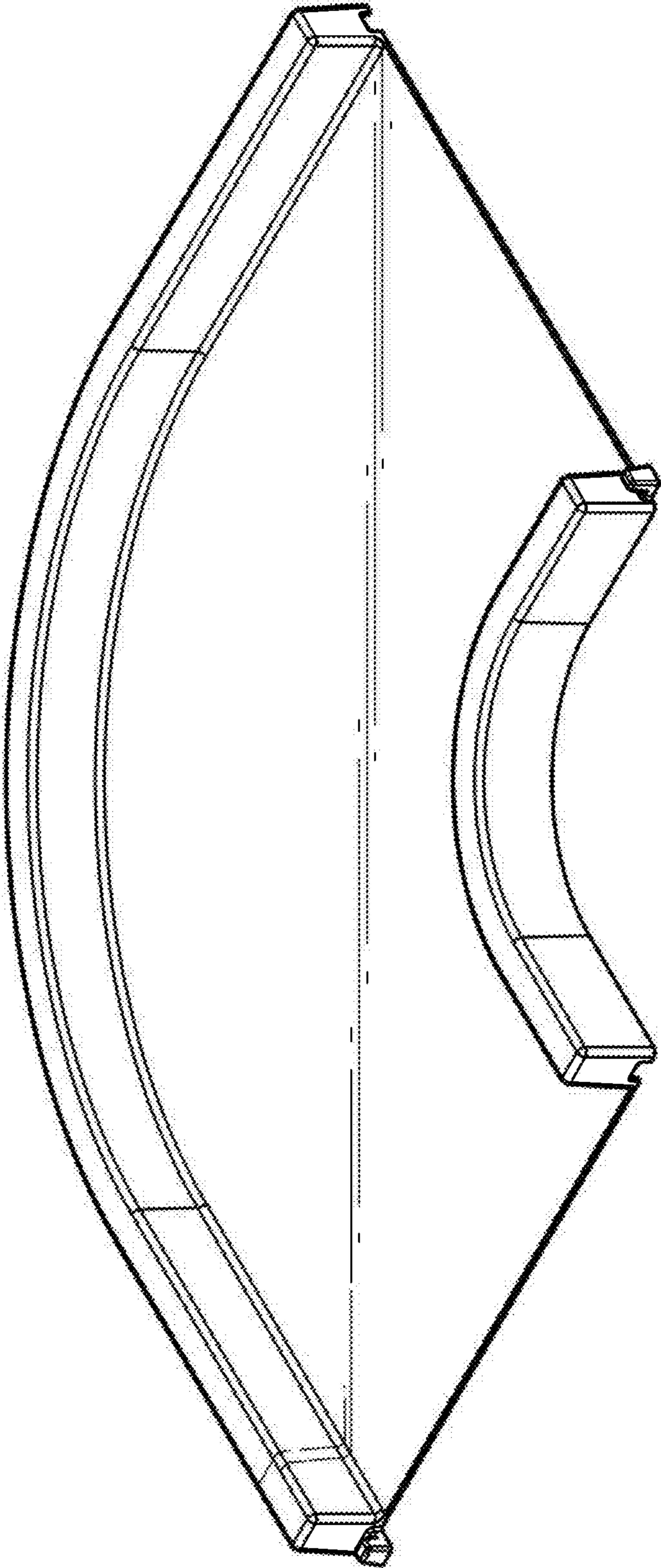


FIG. 4

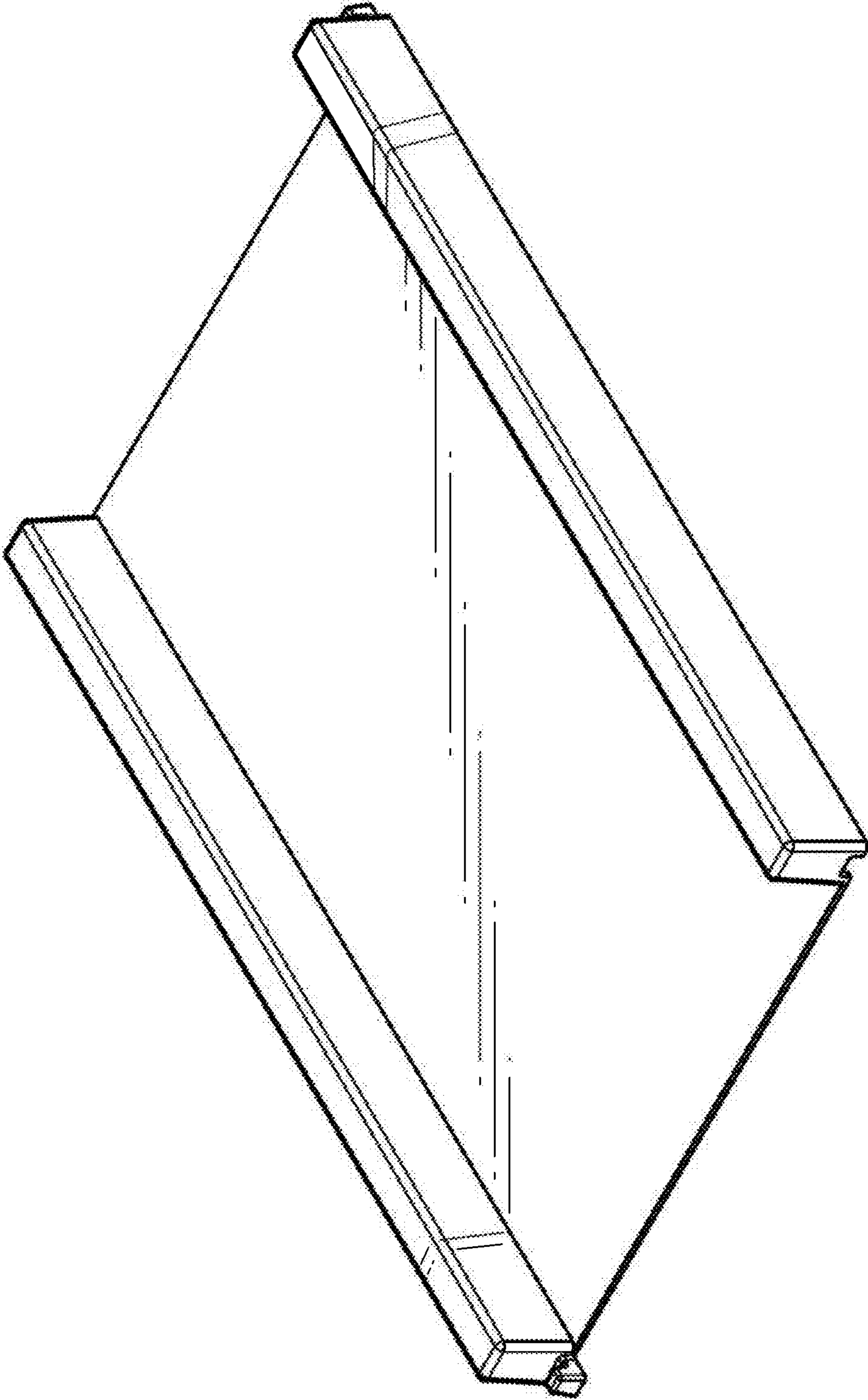


FIG. 5

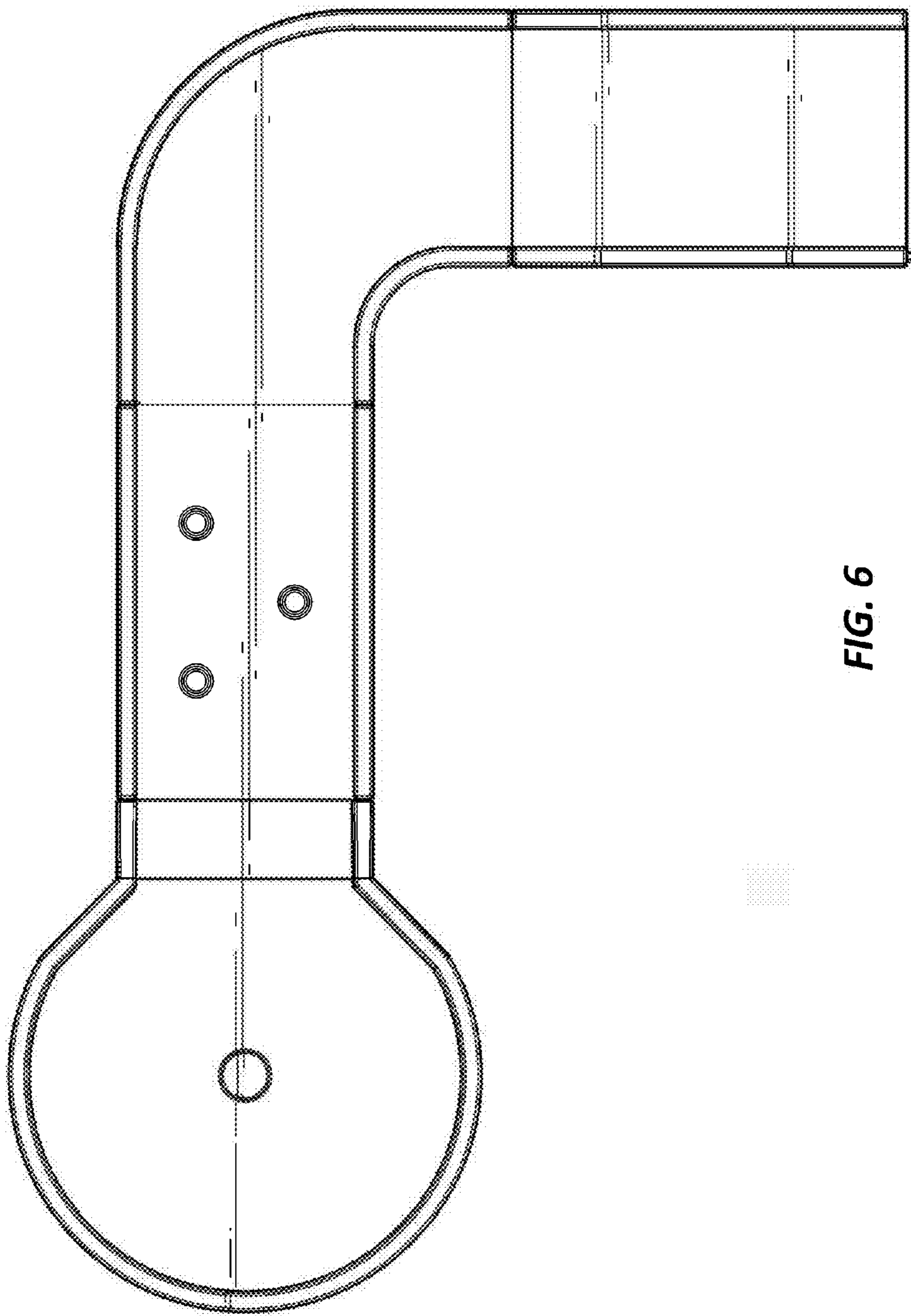


FIG. 6

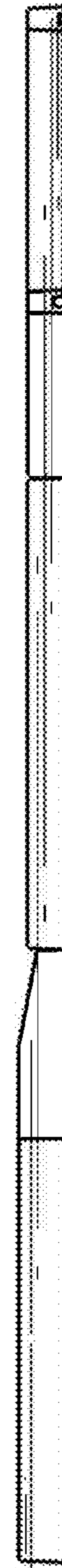


FIG. 7