



US00D714894S

(12) **United States Design Patent**  
**Tang et al.**

(10) **Patent No.:** **US D714,894 S**

(45) **Date of Patent:** **\*\* Oct. 7, 2014**

(54) **GOLF CLUB HEAD**

(71) Applicant: **Callaway Golf Company**, Carlsbad, CA (US)

(72) Inventors: **Larry Tang**, Carlsbad, CA (US); **Tim Goudarzi**, San Marcos, CA (US); **James A. Seluga**, Carlsbad, CA (US); **Denver Holt**, Carlsbad, CA (US)

(73) Assignee: **Callaway Golf Company**, Carlsbad, CA (US)

(\*\*) Term: **14 Years**

(21) Appl. No.: **29/469,398**

(22) Filed: **Oct. 9, 2013**

(51) **LOC (10) Cl.** ..... **21-02**

(52) **U.S. Cl.**  
USPC ..... **D21/759**

(58) **Field of Classification Search**  
USPC ..... D21/733, 752, 759; 473/324–331,  
473/343–346  
See application file for complete search history.

(56) **References Cited**

**U.S. PATENT DOCUMENTS**

D253,778 S \* 12/1979 Madison ..... D21/752  
D499,158 S \* 11/2004 Imamoto ..... D21/752

D507,615 S \* 7/2005 Imamoto ..... D21/752  
D508,969 S \* 8/2005 Hasebe ..... D21/752  
D533,612 S \* 12/2006 Kohno ..... D21/759  
D534,980 S \* 1/2007 Kohno ..... D21/759  
D656,211 S \* 3/2012 Foster ..... D21/752  
D661,754 S \* 6/2012 Cameron et al. .... D21/759  
D697,155 S \* 1/2014 Sargent et al. .... D21/759  
D707,771 S \* 6/2014 Cameron ..... D21/759

\* cited by examiner

*Primary Examiner* — Mitchell Siegel

(74) *Attorney, Agent, or Firm* — Rebecca Hanovice;  
Michael A. Catania; Sonia Lari

(57) **CLAIM**

The ornamental design for a golf club head, as shown and described.

**DESCRIPTION**

FIG. 1 is a rear perspective view of the golf club head of the present invention;

FIG. 2 is a rear elevational view thereof;

FIG. 3 is a front elevational view thereof;

FIG. 4 right side elevational view thereof;

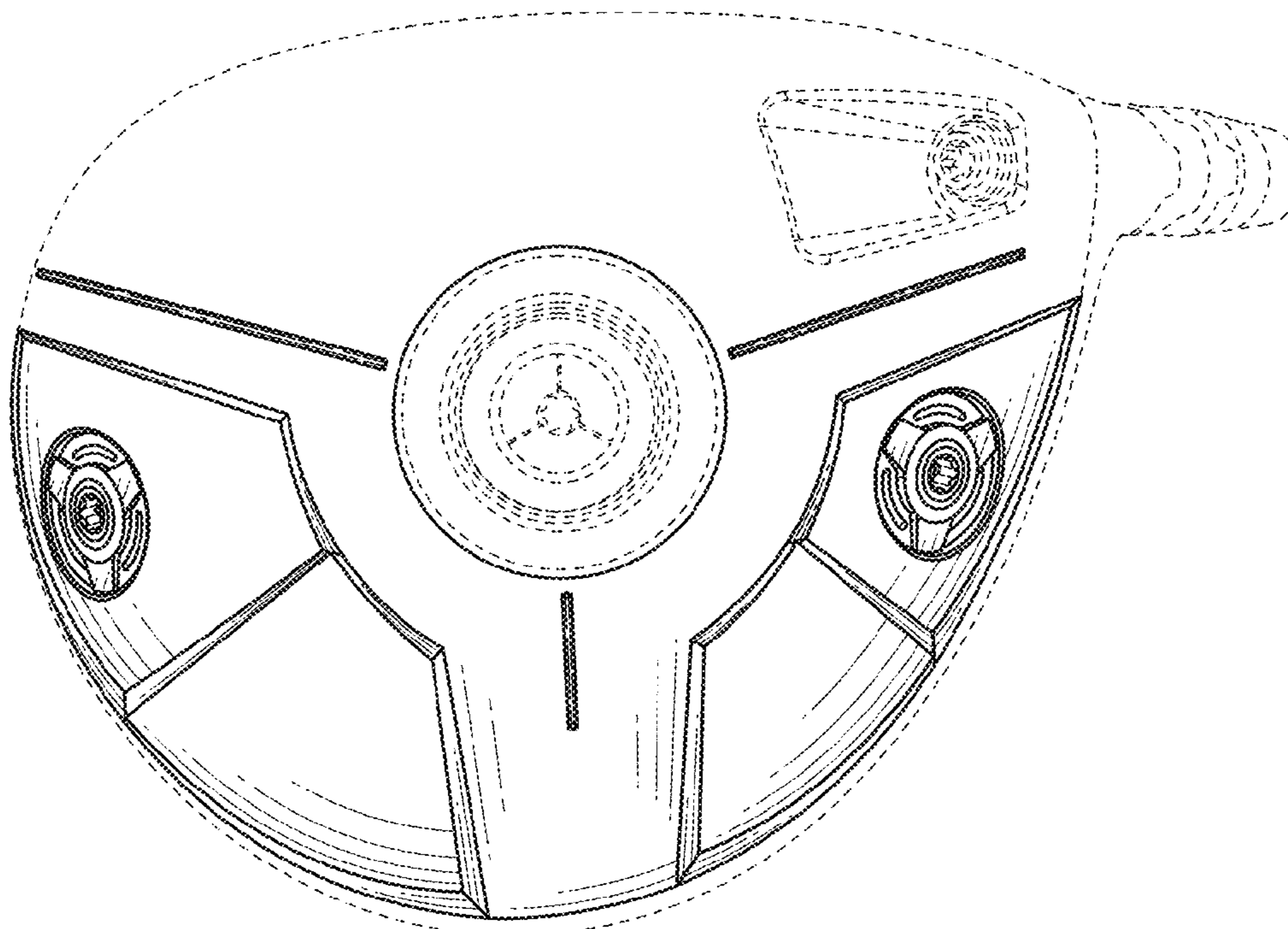
FIG. 5 is a left side elevational view thereof;

FIG. 6 is a top plan view thereof; and,

FIG. 7 is a bottom plan view thereof.

The broken lines are included for the purpose of illustration only and form no part of the claimed design.

**1 Claim, 4 Drawing Sheets**



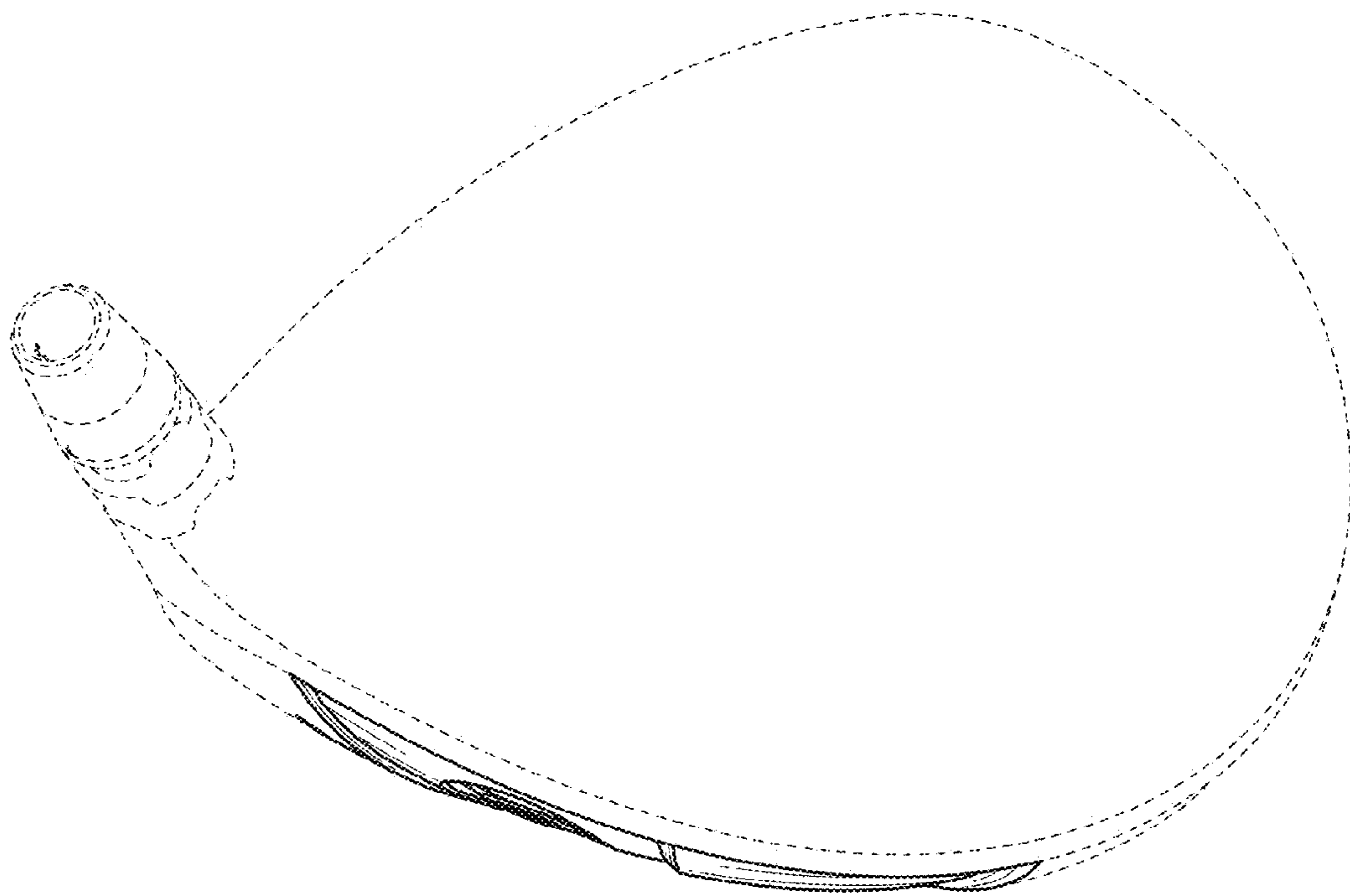


FIG. 1

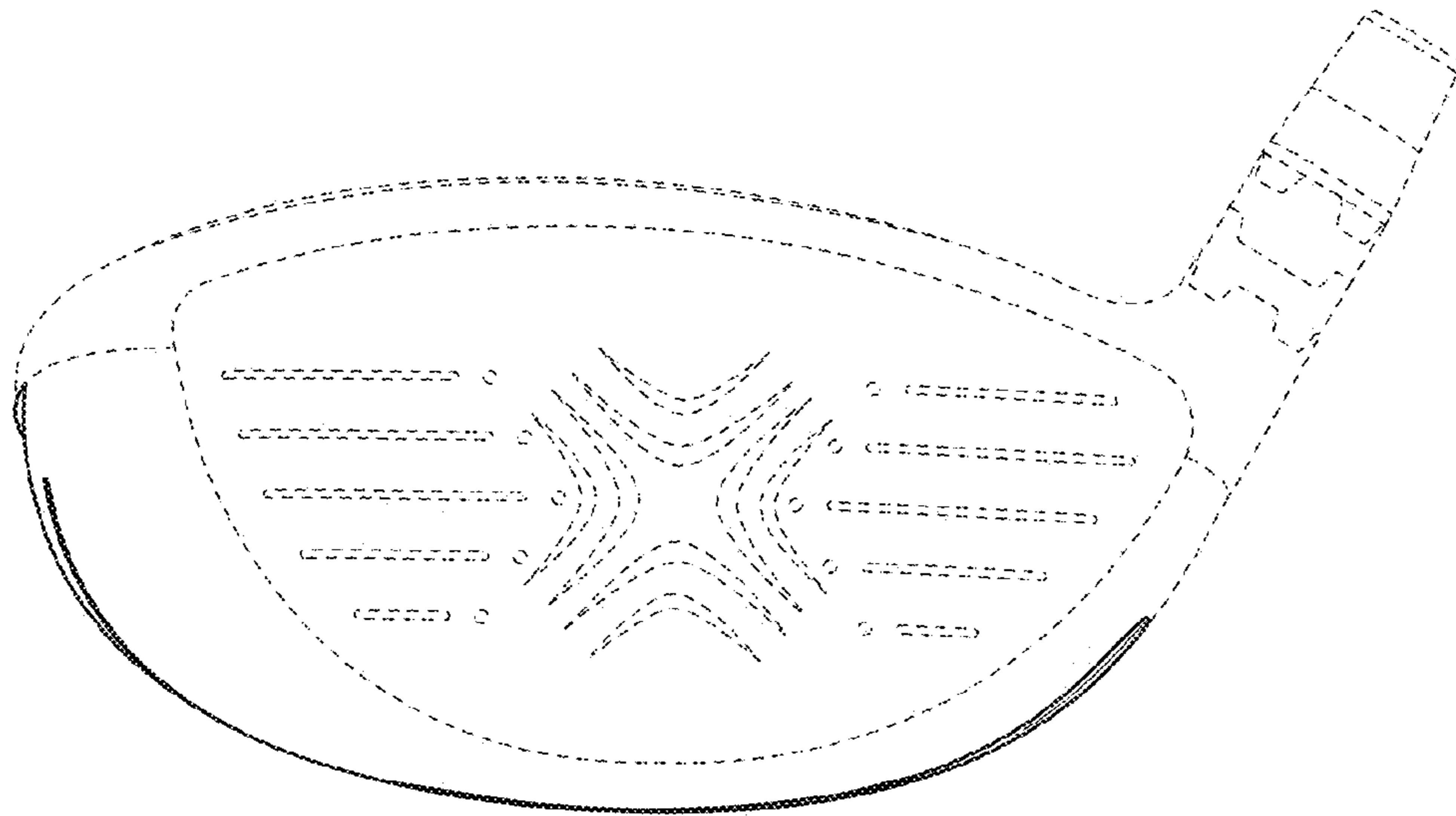


FIG. 2

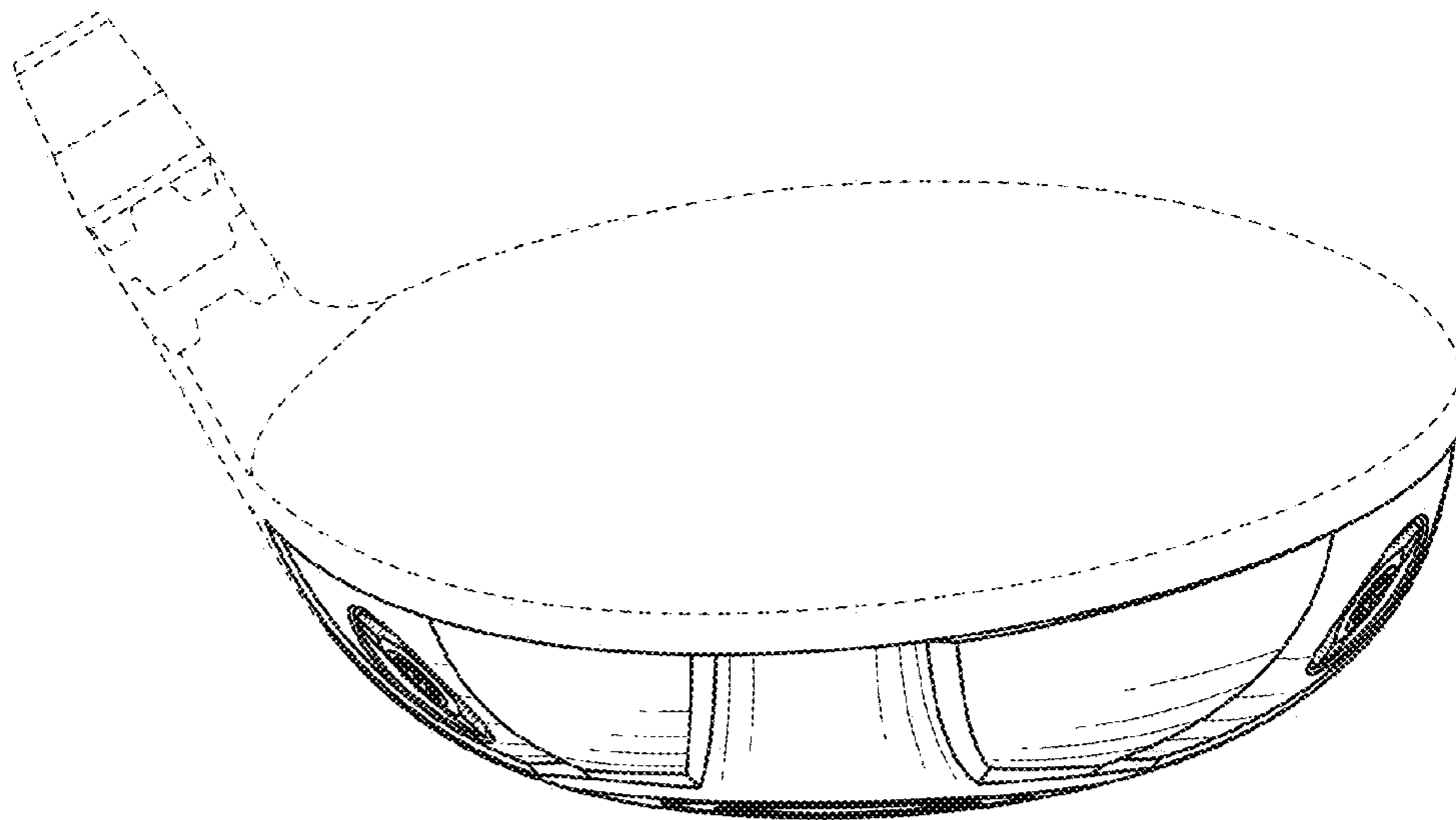


FIG. 3

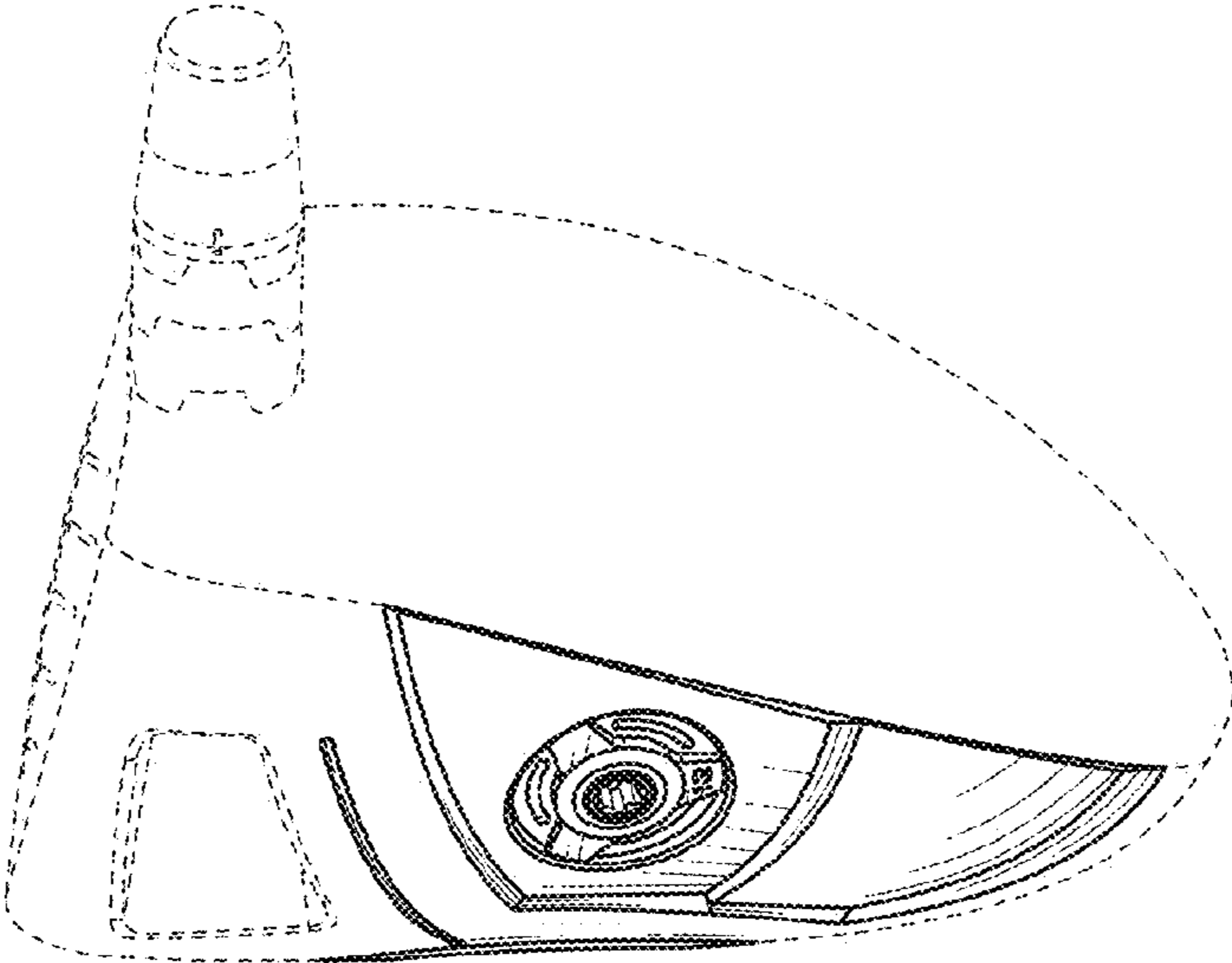


FIG. 4

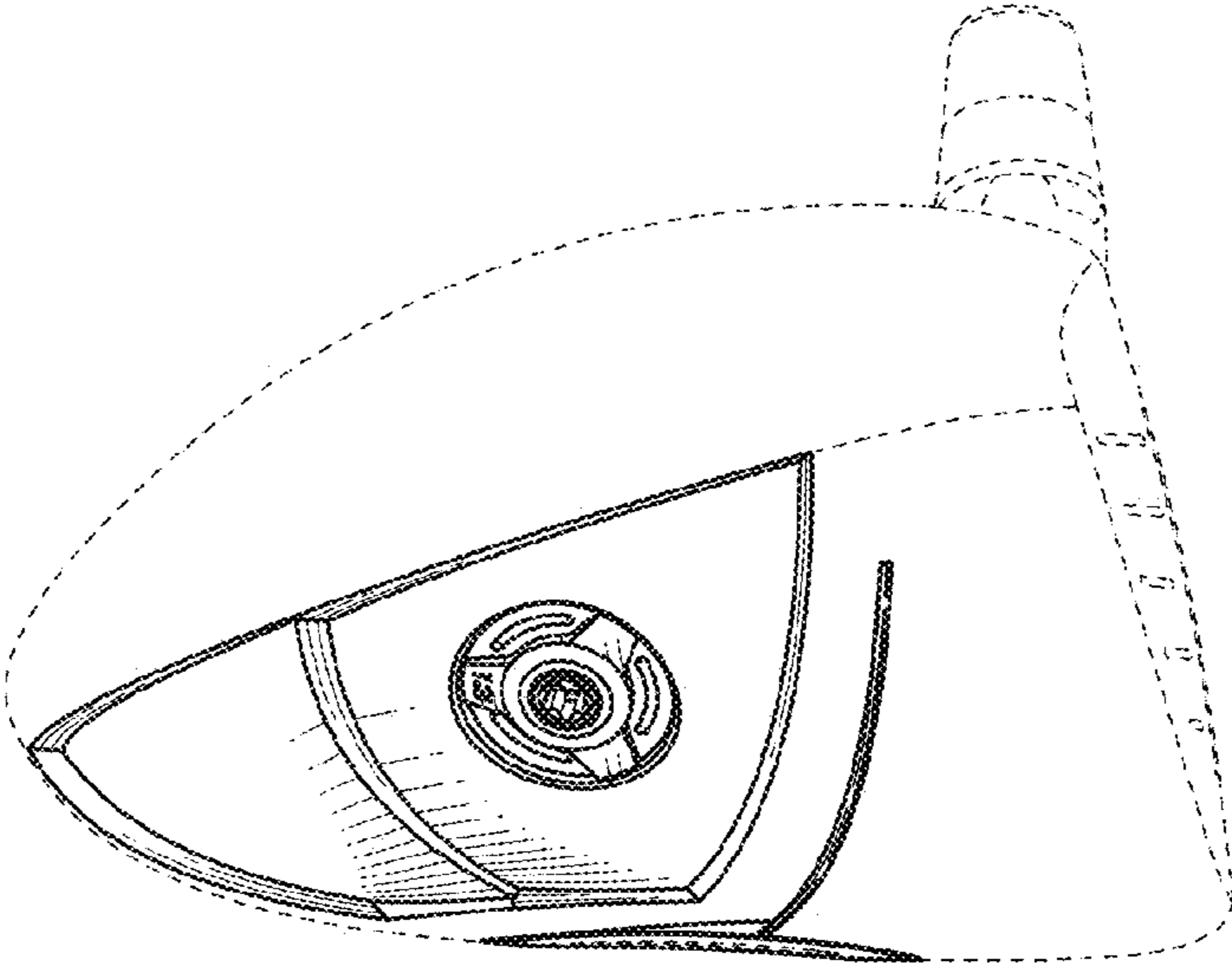


FIG. 5

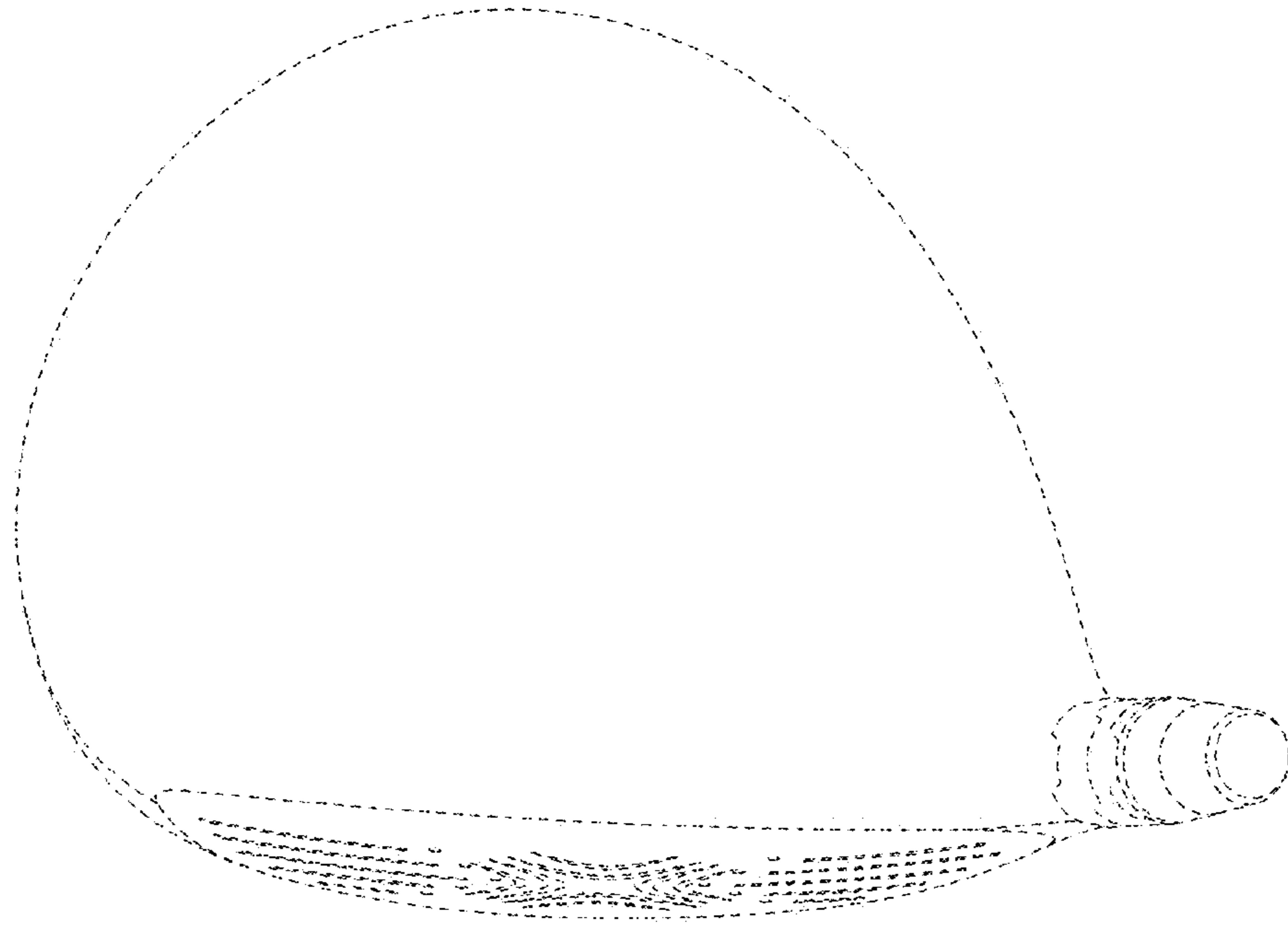


FIG. 6

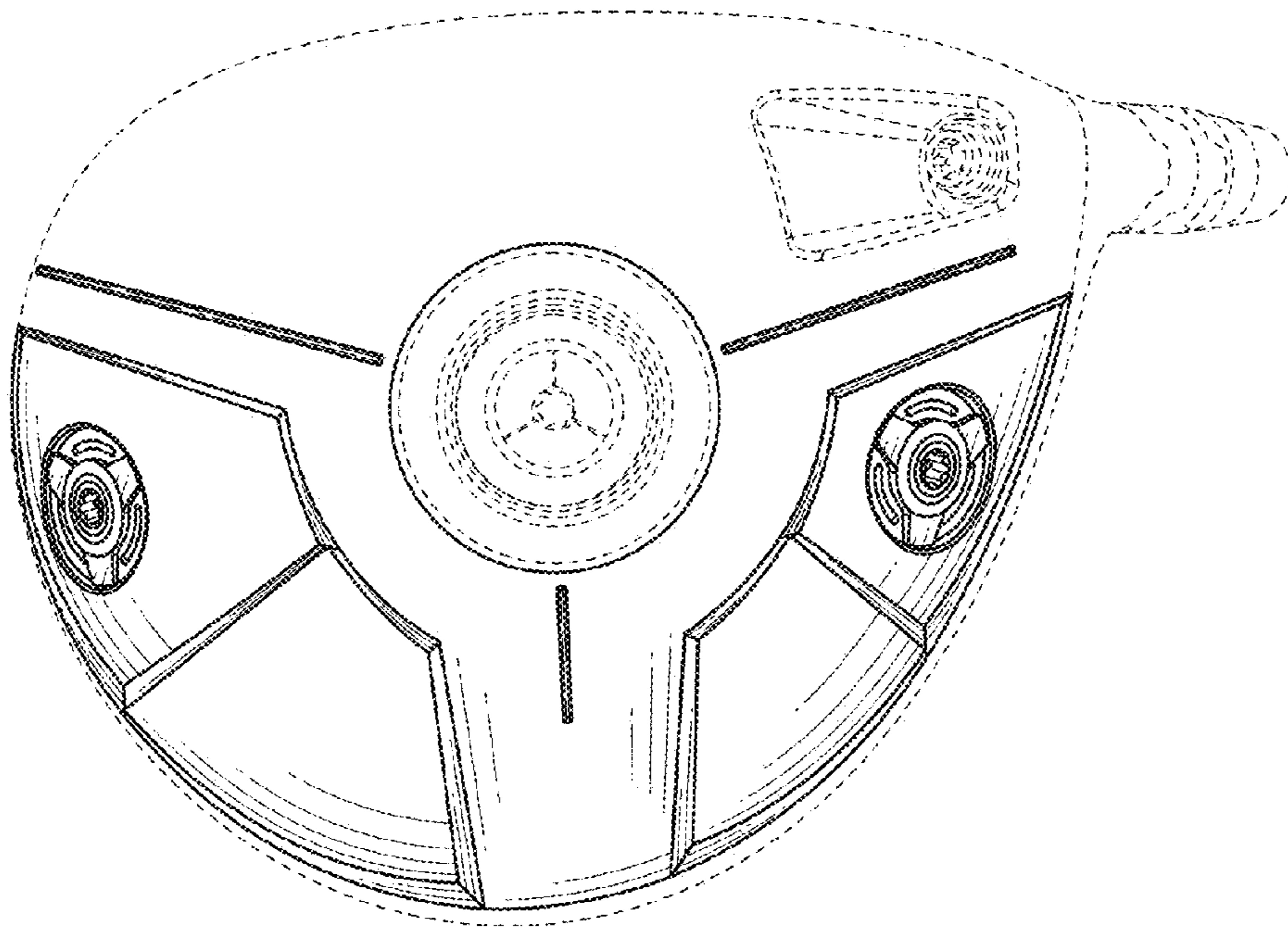


FIG. 7