



US00D714889S

(12) **United States Design Patent**
Wai

(10) **Patent No.:** **US D714,889 S**

(45) **Date of Patent:** **** Oct. 7, 2014**

(54) **FITNESS DEVICE**

(71) Applicant: **Victor K. Wai**, Siu Lam (HK)

(72) Inventor: **Victor K. Wai**, Siu Lam (HK)

(**) Term: **14 Years**

(21) Appl. No.: **29/436,947**

(22) Filed: **Nov. 9, 2012**

(51) **LOC (10) Cl.** **21-02**

(52) **U.S. Cl.**
USPC **D21/662**

(58) **Field of Classification Search**
USPC D21/662, 679, 684, 680, 681; D3/201,
D3/273, 269; 482/121, 122, 124, 126, 128,
482/148

See application file for complete search history.

(56) **References Cited**

U.S. PATENT DOCUMENTS

4,290,600 A * 9/1981 Kolbel 482/126
4,376,533 A * 3/1983 Kolbel 482/125
5,397,288 A * 3/1995 Sayre 482/125

5,569,125 A * 10/1996 Clementi 482/46
5,643,158 A * 7/1997 Clementi 482/121
D398,150 S * 9/1998 Vonarburg D3/302
5,899,591 A * 5/1999 Aoshima 396/413
D500,101 S * 12/2004 Fitzgerald et al. D21/692
D505,260 S * 5/2005 Gruetzmacher D3/269
D541,046 S * 4/2007 Roesler D3/293

* cited by examiner

Primary Examiner — Phillip S Hyder

(74) *Attorney, Agent, or Firm* — Tejpal S. Hansra

(57) **CLAIM**

The ornamental design for a fitness device, as shown and described.

DESCRIPTION

FIG. 1 is an isometric view of a fitness device showing my new design;

FIG. 2 is a back view thereof;

FIG. 3 is a left side view thereof;

FIG. 4 is a front view thereof;

FIG. 5 is a right view thereof;

FIG. 6 is a top view thereof; and,

FIG. 7 is a bottom view thereof.

1 Claim, 3 Drawing Sheets

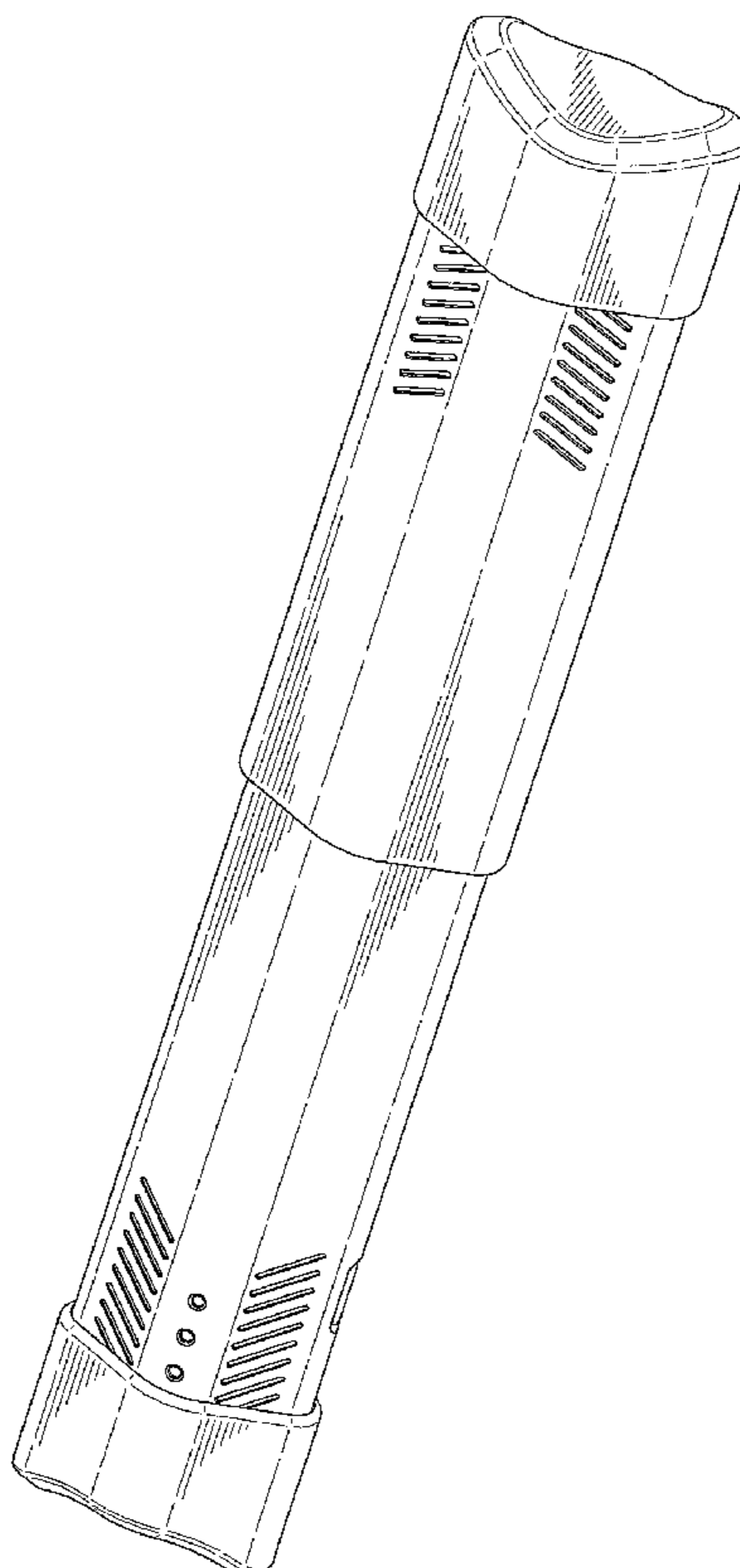


FIG. 1

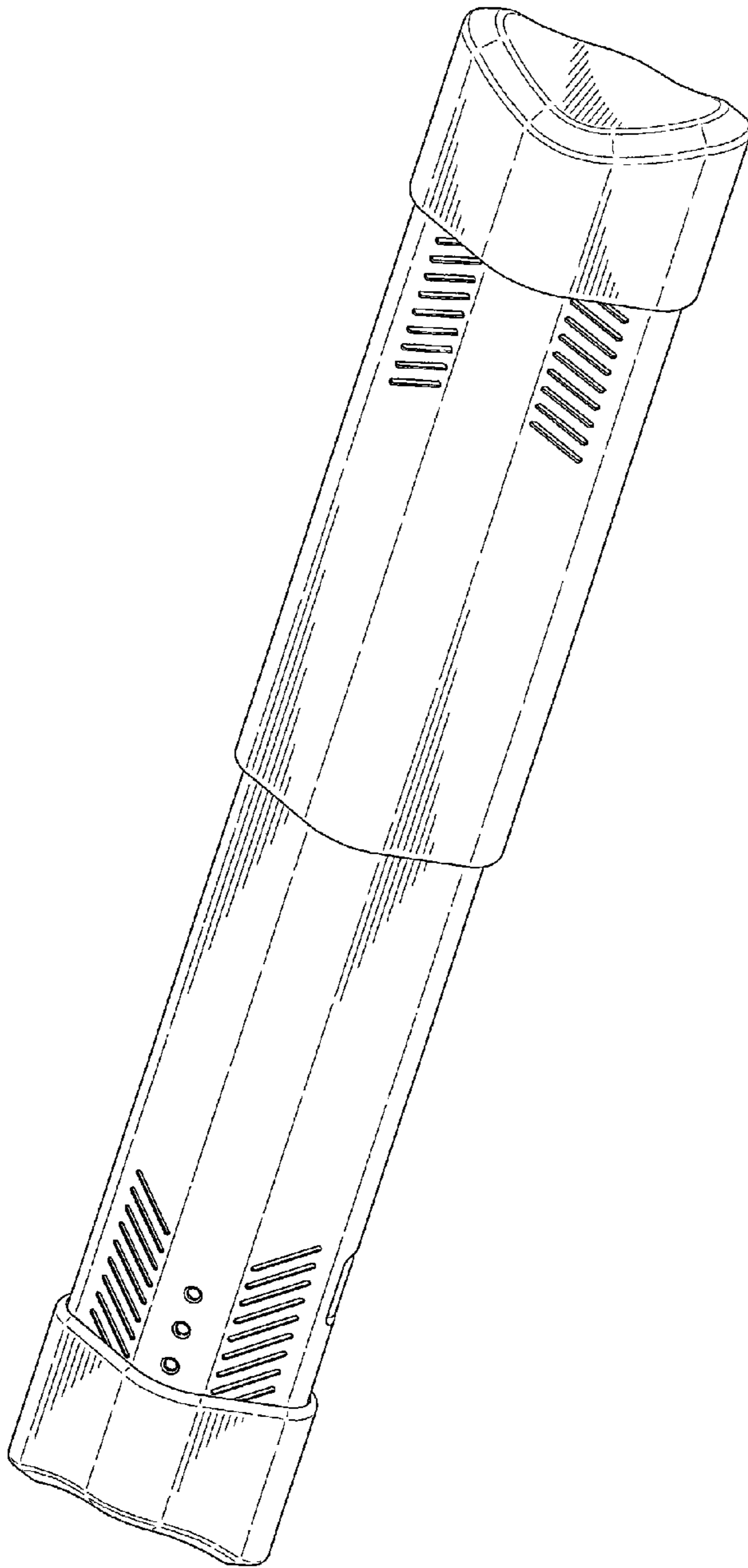


FIG. 2

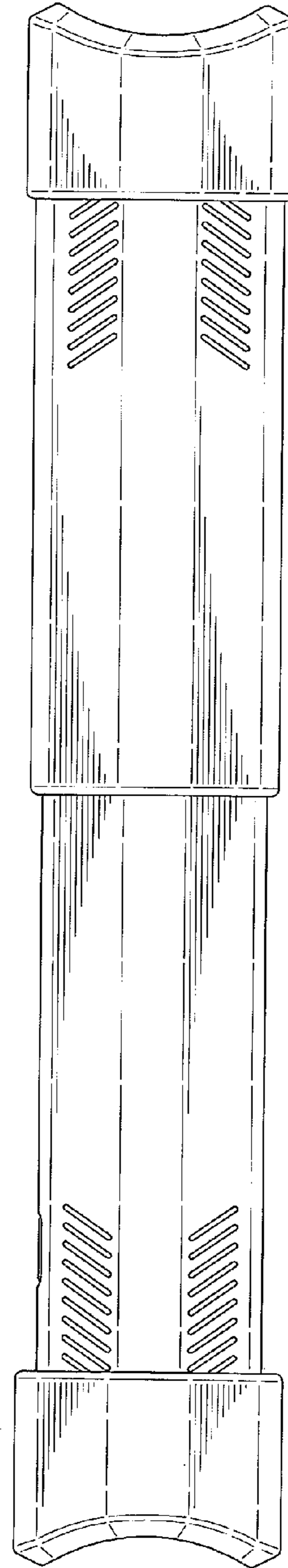


FIG. 3

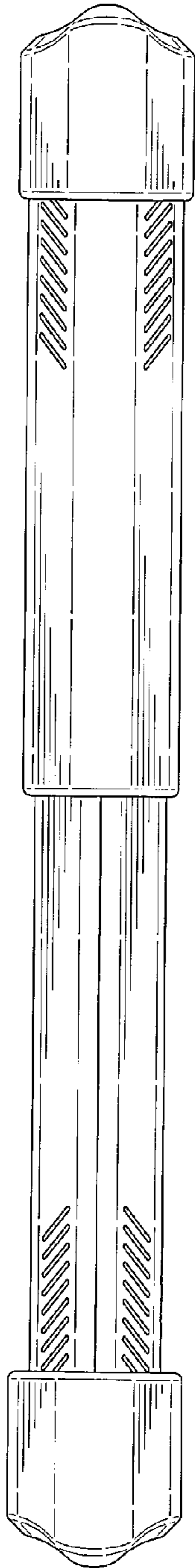


FIG. 4

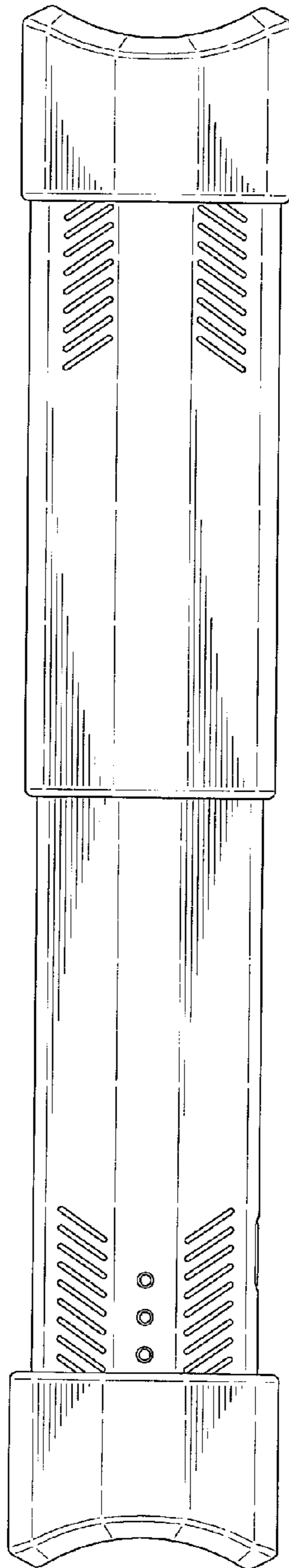


FIG. 5

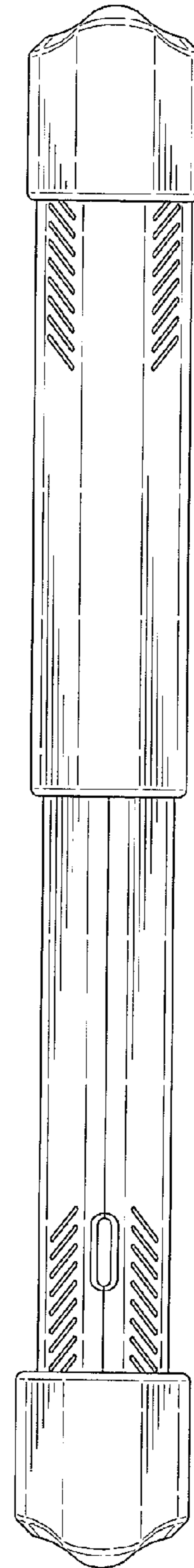


FIG. 6

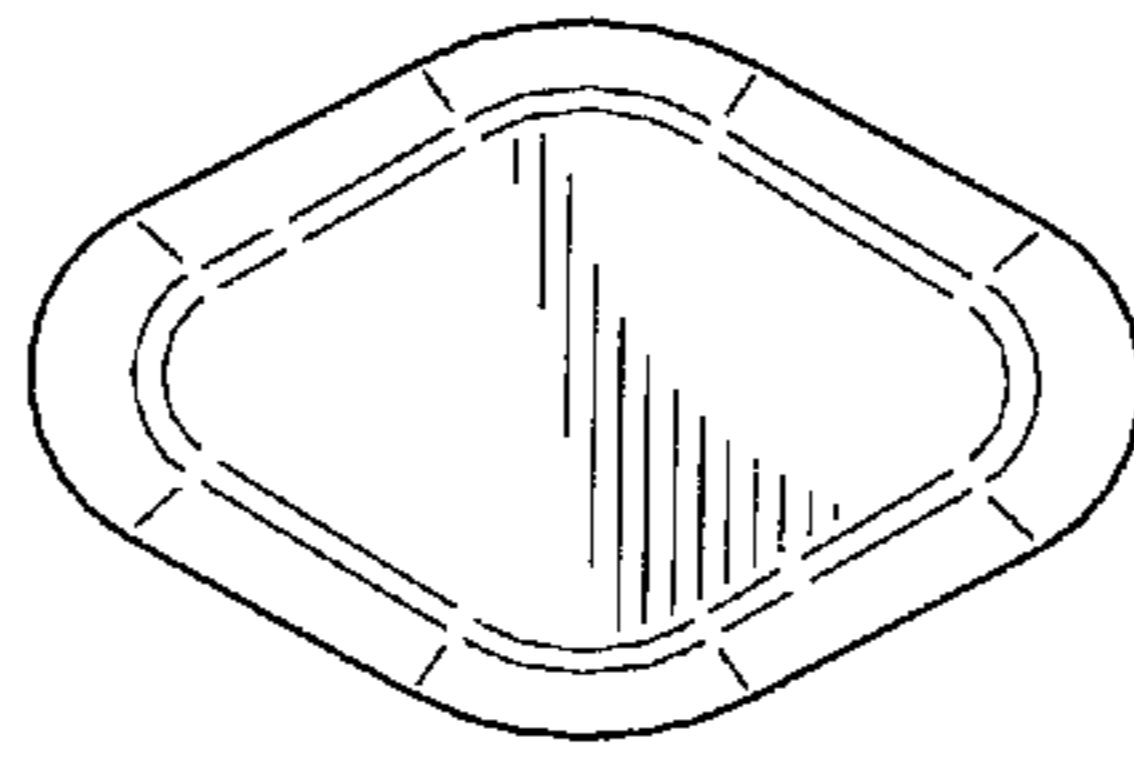


FIG. 7

