



US00D714887S

(12) **United States Design Patent**
Matos et al.

(10) **Patent No.:** **US D714,887 S**
(45) **Date of Patent:** **** Oct. 7, 2014**

- (54) **TOY FIGURINE PART**
- (71) Applicant: **MEGA Brands Inc.**, Montreal (CA)
- (72) Inventors: **Muryllo Cardoso Figueiredo de Matos**,
Lachine (CA); **Philippe Soucie**,
Montreal (CA)
- (73) Assignee: **MEGA Brands Inc.**, Montreal, Quebec
(CA)

4,205,482	A *	6/1980	Christiansen et al.	446/97
4,988,324	A	1/1991	Ryaa et al.		
4,995,846	A	2/1991	Mariol		
5,049,104	A	9/1991	Olsen		
5,304,086	A	4/1994	Bolli et al.		
5,628,669	A	5/1997	Hesse		
5,645,463	A	7/1997	Olsen		
D404,441	S *	1/1999	Tong	D21/621
6,447,358	B1	9/2002	Mikkelsen et al.		
6,508,689	B1	1/2003	Mikkelsen et al.		
6,692,332	B2	2/2004	Jheow		

(Continued)

- (**) Term: **14 Years**
- (21) Appl. No.: **29/487,739**
- (22) Filed: **Apr. 11, 2014**

Related U.S. Application Data

- (63) Continuation-in-part of application No. 29/456,172,
filed on May 29, 2013.
- (51) **LOC (10) Cl.** **21-01**
- (52) **U.S. Cl.**
CPC **A63H 3/00** (2013.01)
USPC **D21/621**
- (58) **Field of Classification Search**
CPC **A63H 3/00**
USPC **D21/621, 623-625, 628, 630-640,**
D21/643-649, 659; 446/268, 360, 361, 376,
446/379, 382-384; D6/595-601;
D20/31-33
See application file for complete search history.

(56) **References Cited**

U.S. PATENT DOCUMENTS

3,874,113	A *	4/1975	Beck	446/378
3,938,277	A *	2/1976	Goldfarb et al.	446/384
3,946,517	A *	3/1976	Goldfarb et al.	446/383
3,995,395	A	12/1976	Rahmstorf		
4,190,982	A	3/1980	Rahmstorf		

FOREIGN PATENT DOCUMENTS

JP 2007-050064 1/2007

Primary Examiner — Zenia Bennett

(74) *Attorney, Agent, or Firm* — Plumsea Law Group, LLC

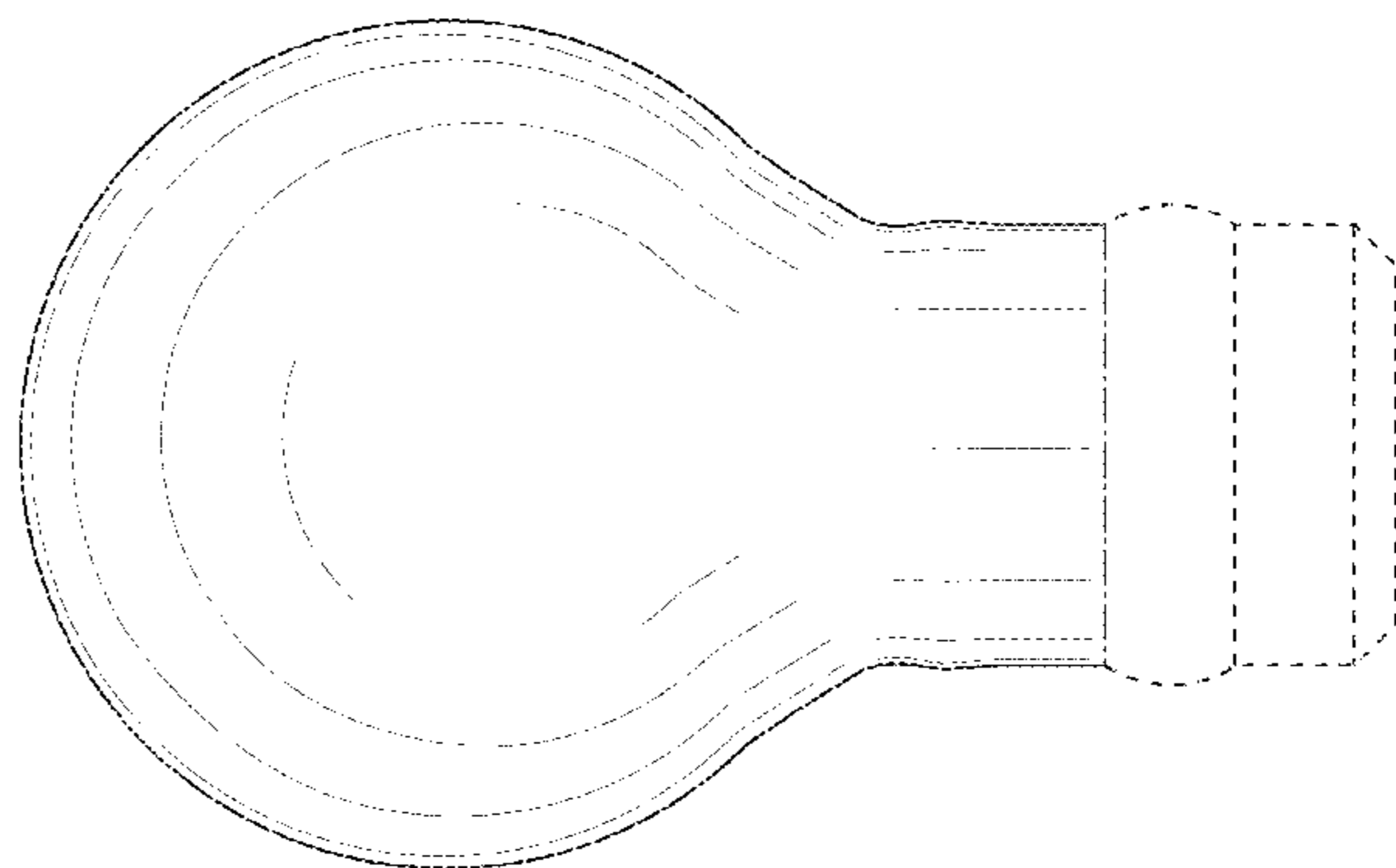
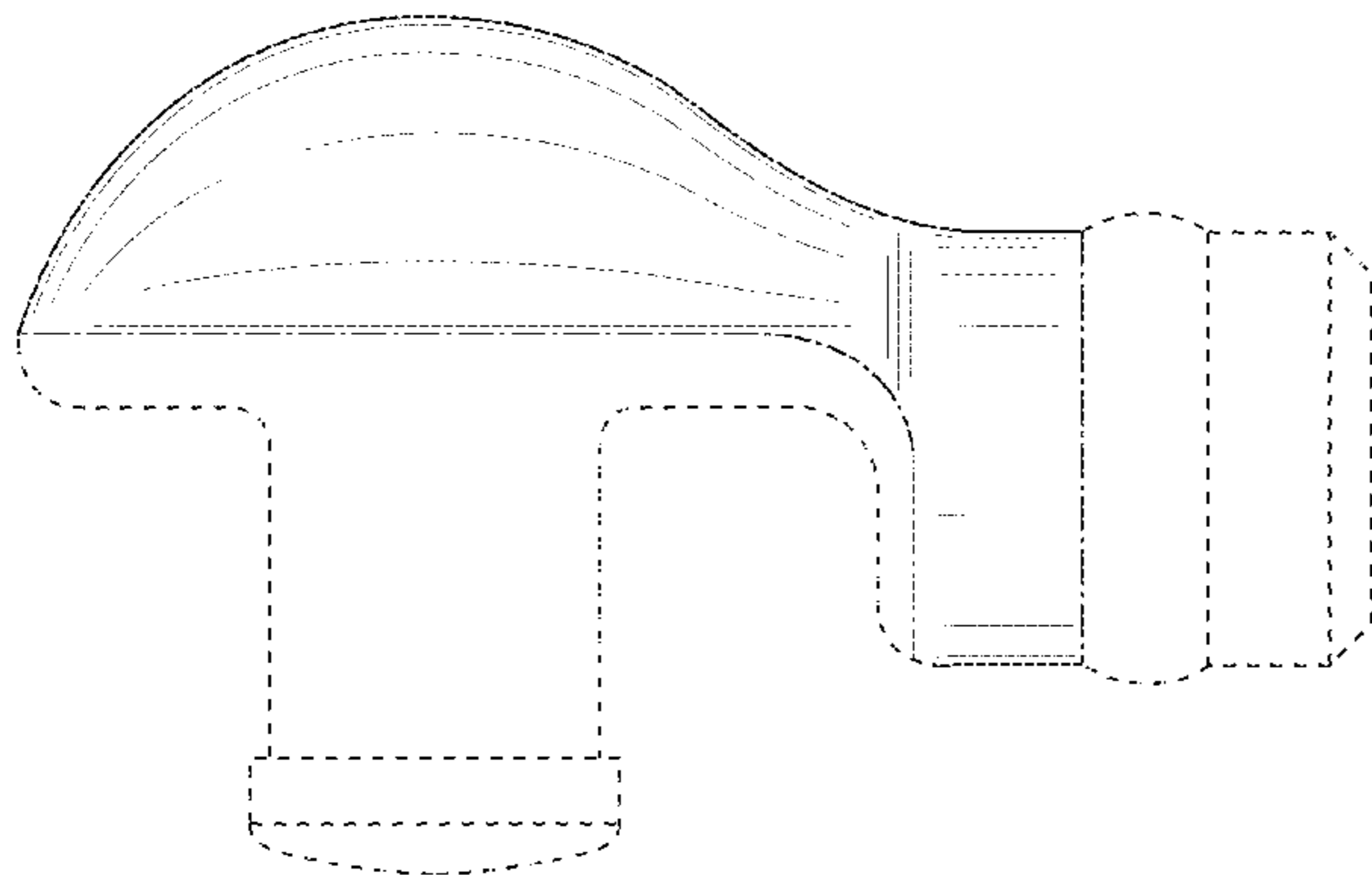
(57) **CLAIM**

The ornamental design for a toy figurine part, as shown and described.

DESCRIPTION

FIG. 1 is a top perspective view of a toy figurine part showing the new design;
 FIG. 2 is a front elevational view of the toy figurine part of FIG. 1;
 FIG. 3 is a rear elevational view of the toy figurine part of FIG. 1;
 FIG. 4 is a right side elevational view of the toy figurine part of FIG. 1;
 FIG. 5 is a left side elevational view of the toy figurine part of FIG. 1;
 FIG. 6 is a top plan view of the toy figurine part of FIG. 1; and,
 FIG. 7 is a bottom plan view of the toy figurine part of FIG. 1.
 The broken lines and unshaded areas form no part of the claimed design.

1 Claim, 6 Drawing Sheets



(56)

References Cited

U.S. PATENT DOCUMENTS

D510,606 S 10/2005 Paterson
D510,753 S 10/2005 Paterson

D515,634 S 2/2006 Paterson
D688,334 S * 8/2013 Stosiak et al. D21/659
D688,335 S * 8/2013 Stosiak et al. D21/659

* cited by examiner

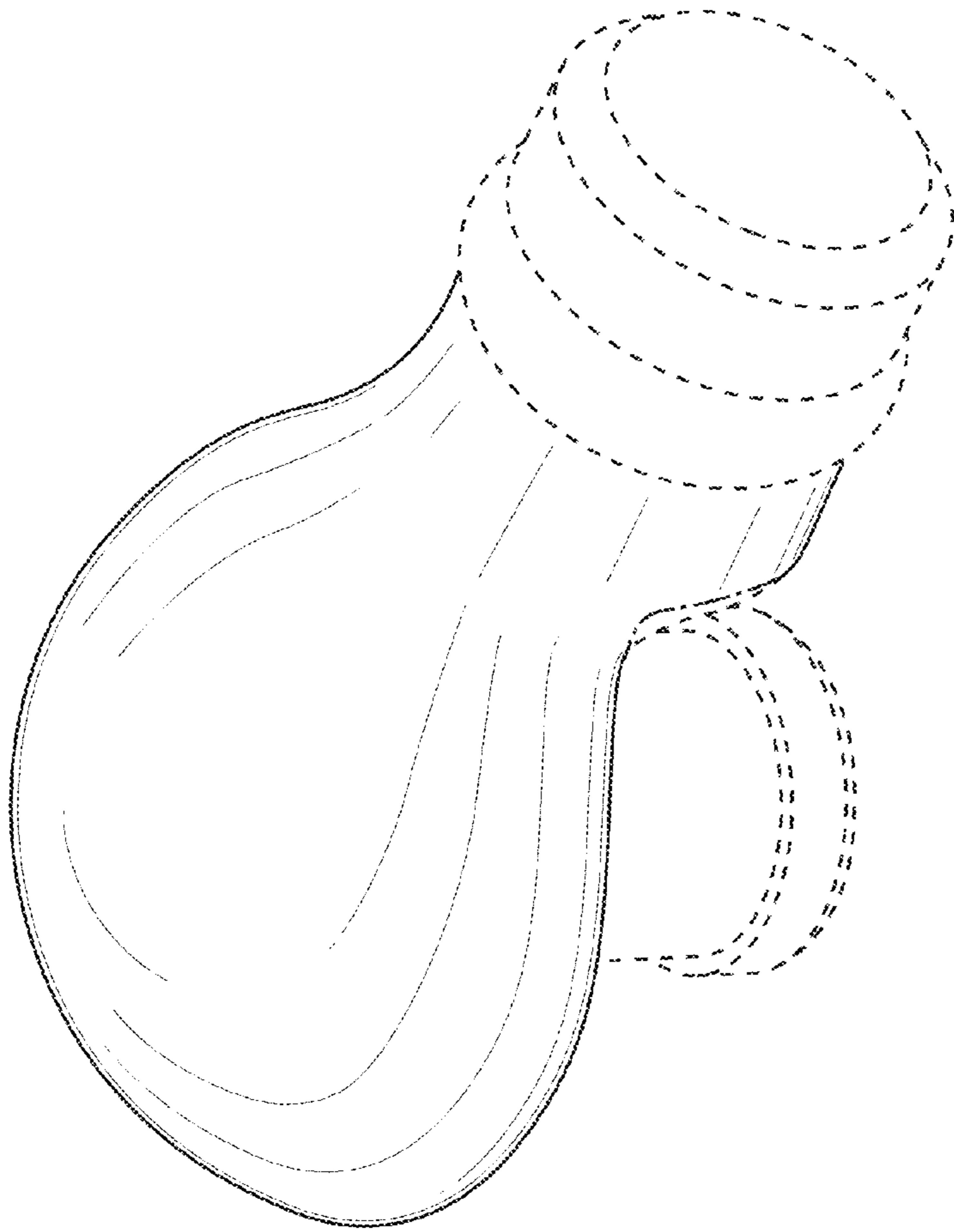


FIG. 1

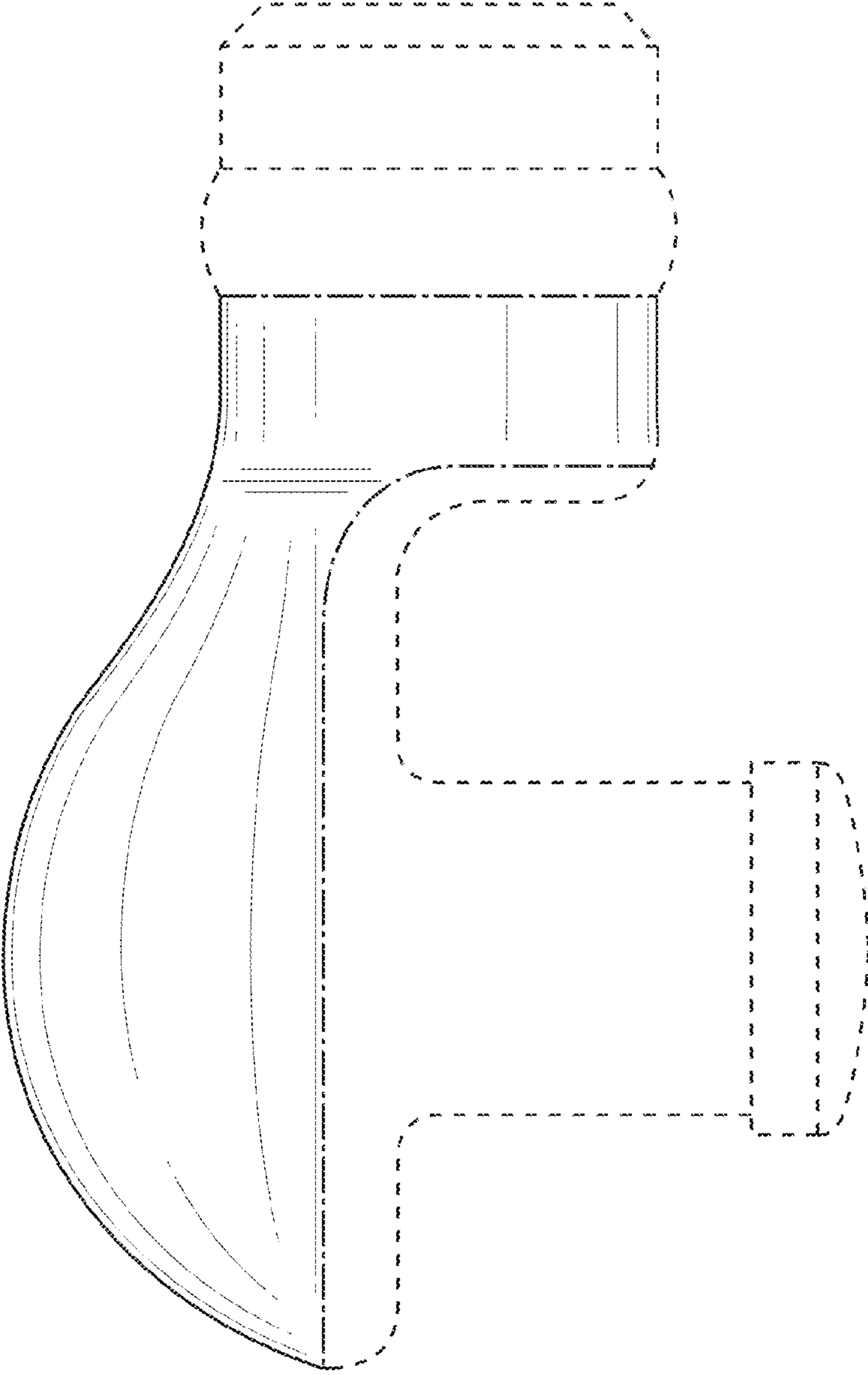


FIG. 2

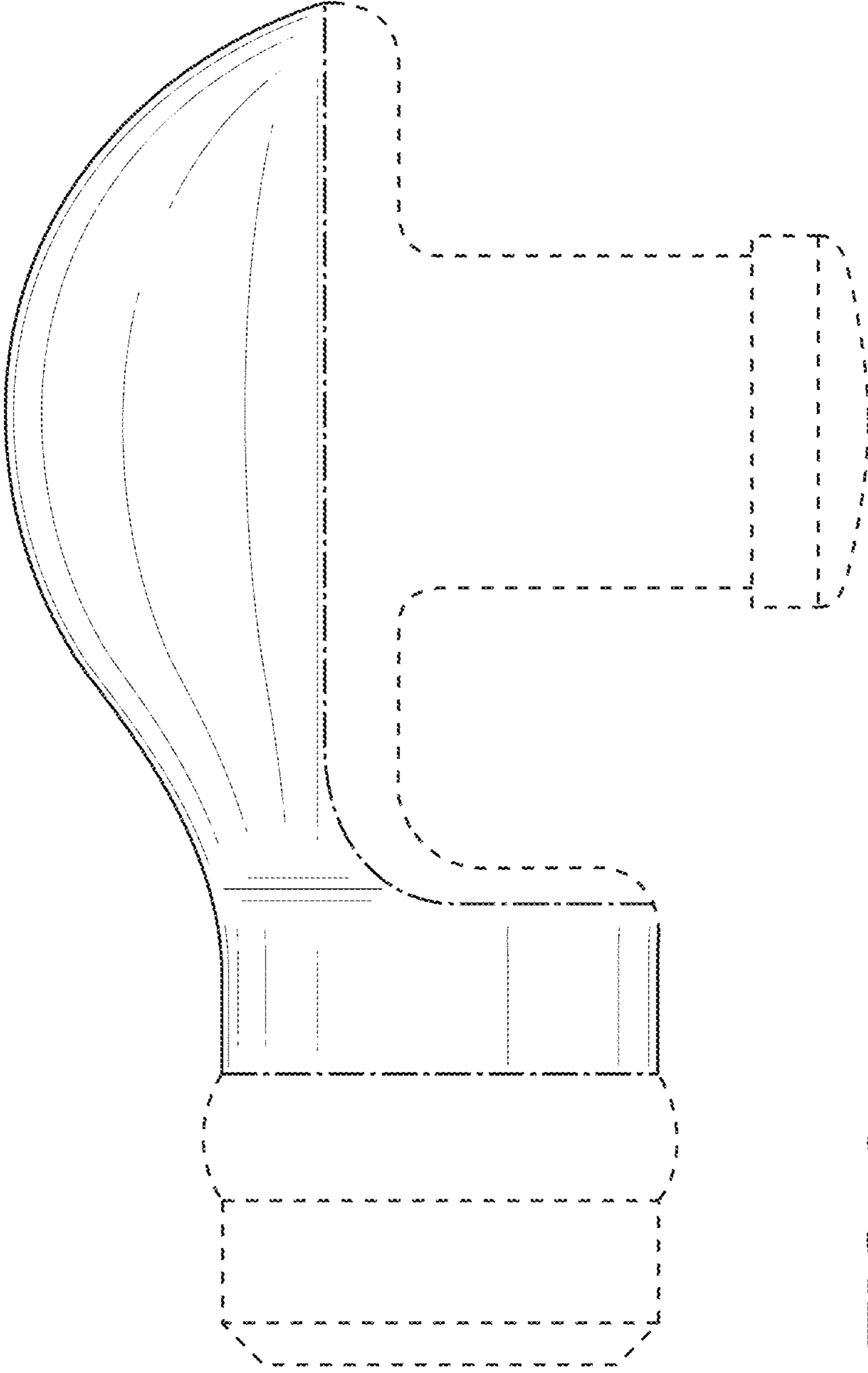


FIG. 3

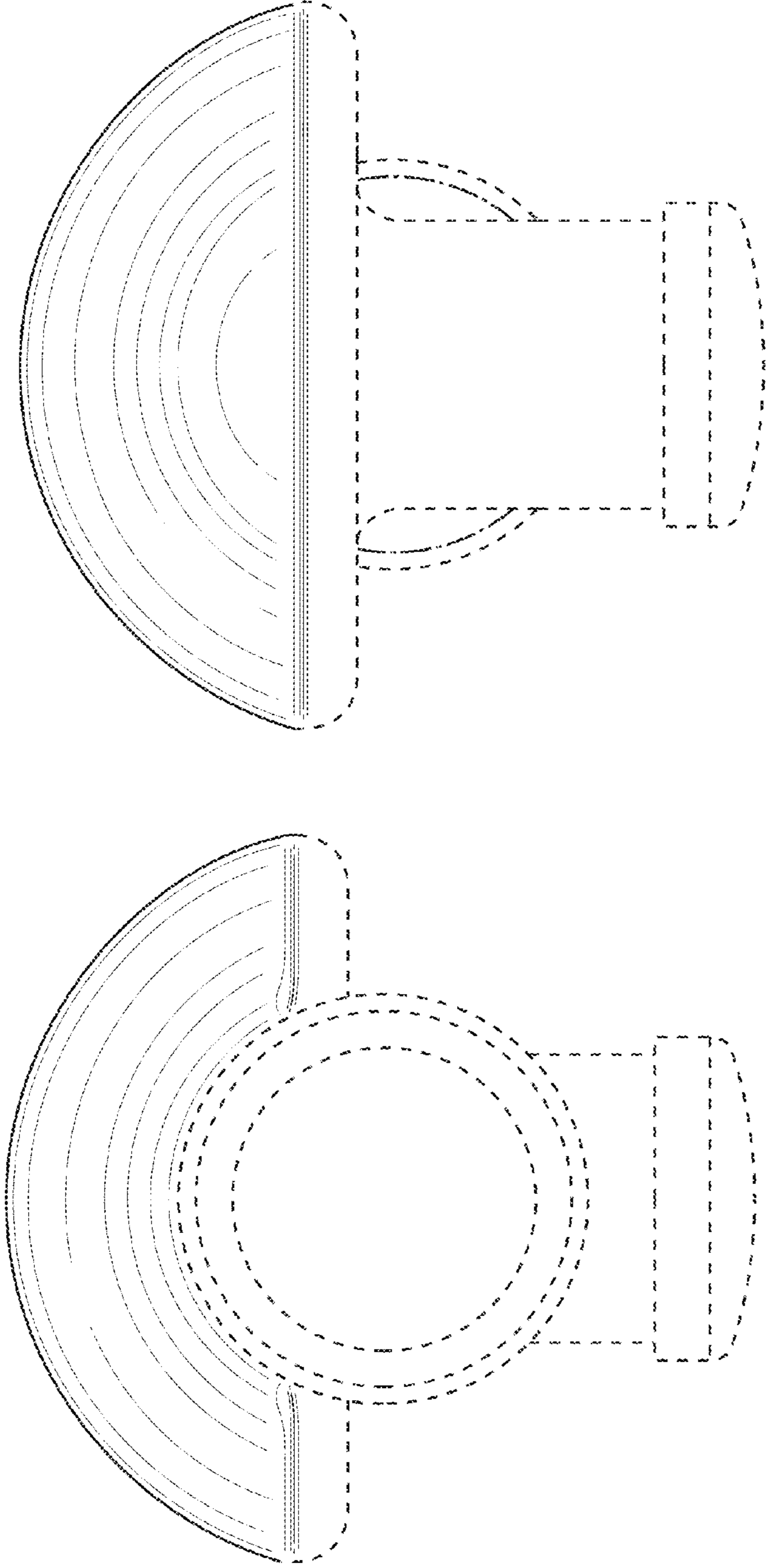


FIG. 5

FIG. 4

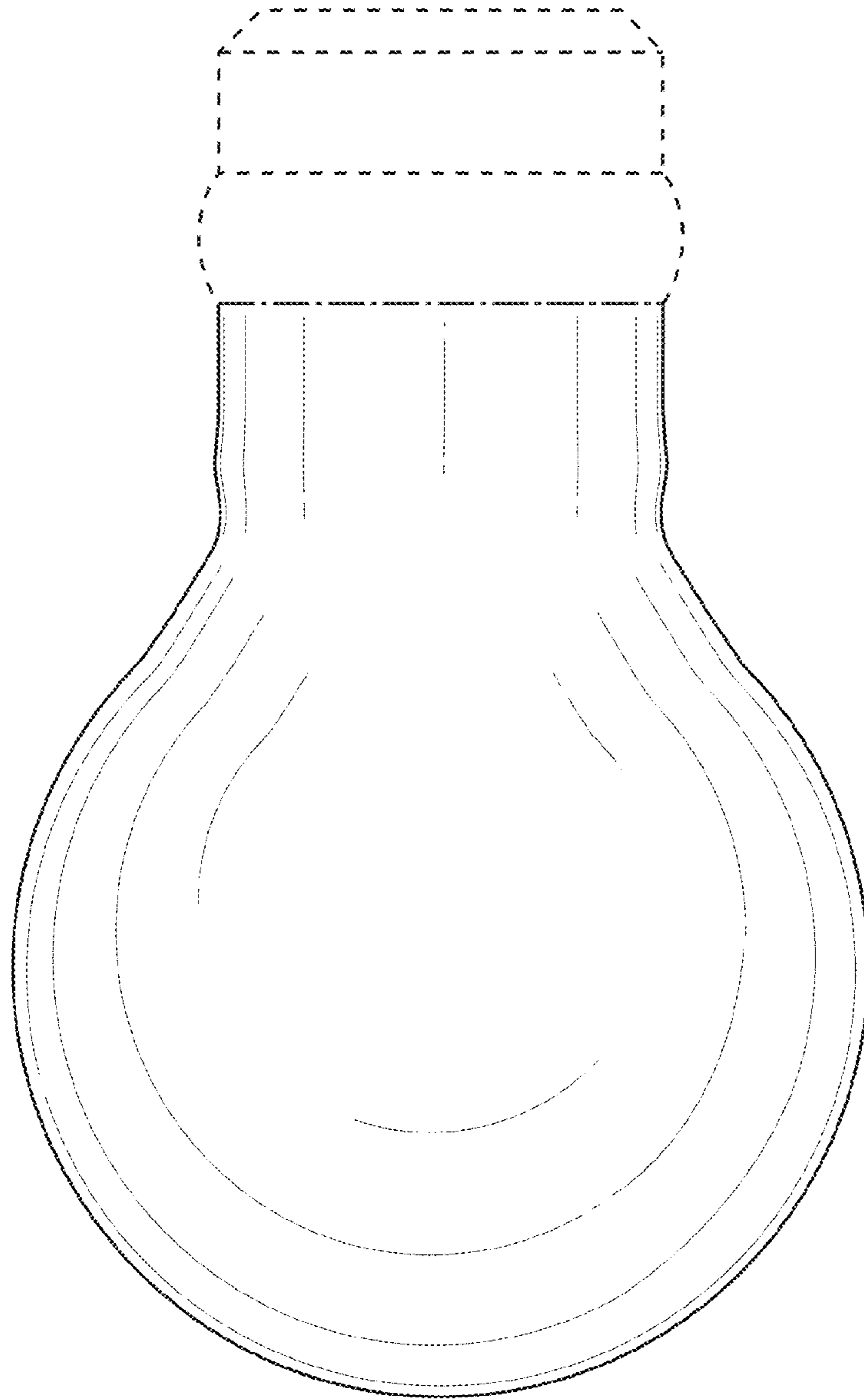


FIG. 6

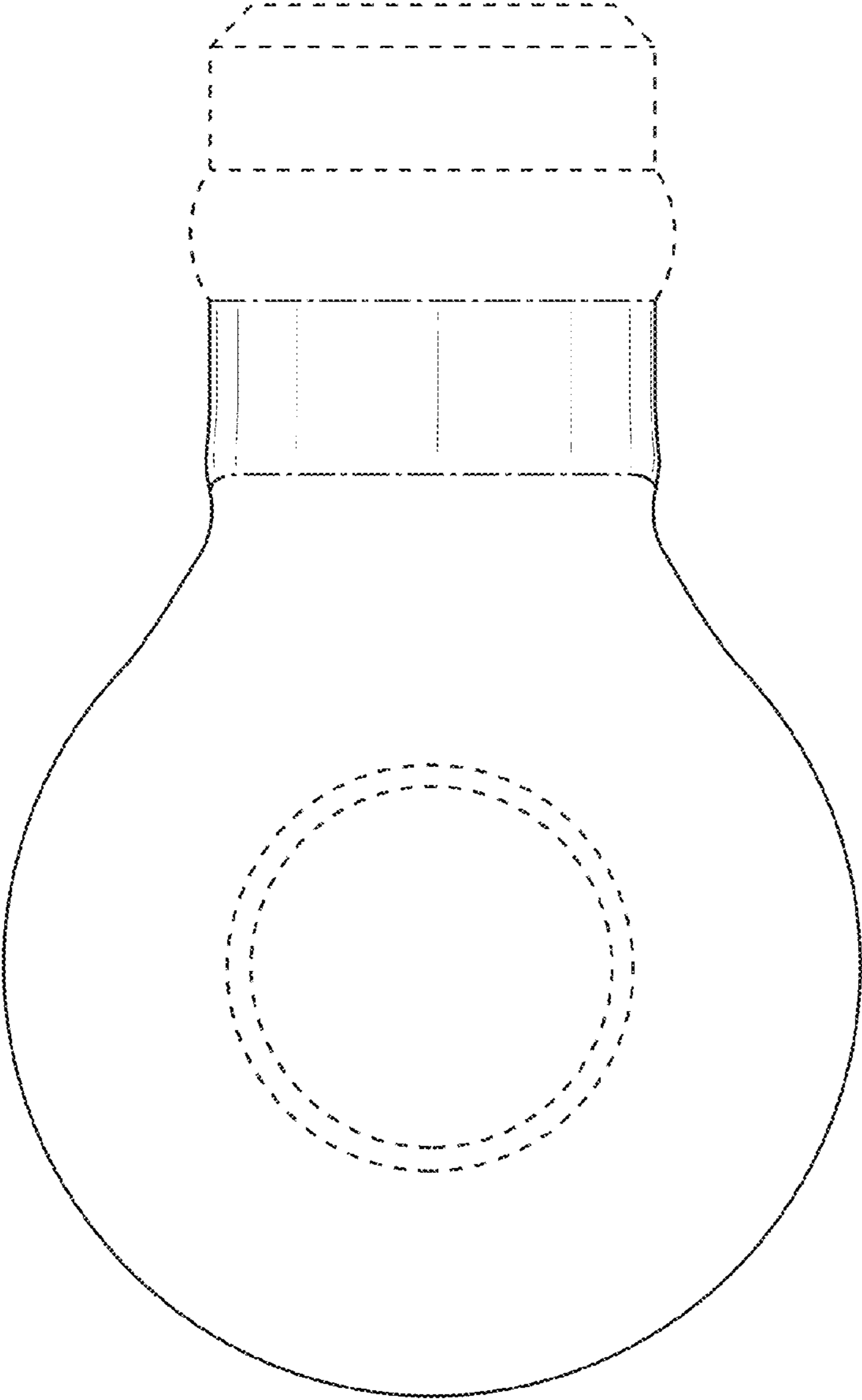


FIG. 7